



US00D816149S

(12) **United States Design Patent**  
**Dalton**

(10) **Patent No.:** **US D816,149 S**  
(45) **Date of Patent:** **\*\* Apr. 24, 2018**

(54) **WEBCAM COVER**

(71) Applicant: **Peter David Dalton**, Los Angeles, CA  
(US)

(72) Inventor: **Peter David Dalton**, Los Angeles, CA  
(US)

(73) Assignee: **Sun Coast Merchandise Corp.**,  
Commerce, CA (US)

(\*\*) Term: **15 Years**

(21) Appl. No.: **29/578,538**

(22) Filed: **Sep. 22, 2016**

(51) **LOC (11) Cl.** ..... **16-05**

(52) **U.S. Cl.**  
USPC ..... **D16/237**; D16/250

(58) **Field of Classification Search**  
USPC ..... D16/200–220, 239, 235, 242, 250, 310,  
D16/136; D14/251, 138 C, 302, 129,  
D14/130, 496; D26/28, 36, 37, 46, 39;  
D29/104; D10/104.1, 50, 65, 74  
CPC ... G02B 7/02; G02B 7/04; G02B 7/14; G03B  
17/00; G03B 17/14; G03B 9/08; H04N  
5/2252; H04N 5/2253; H04N 5/2254;  
H04N 7/00; F16M 13/00

See application file for complete search history.

(56) **References Cited**

**U.S. PATENT DOCUMENTS**

3,255,870 A \* 6/1966 Peck ..... B65D 5/5021  
206/461  
D285,268 S \* 8/1986 Scheid ..... D20/18  
5,040,671 A \* 8/1991 Hager ..... A45C 11/18  
206/39  
D323,180 S \* 1/1992 Bush ..... D16/222  
D329,448 S \* 9/1992 Lo ..... D16/229  
D330,602 S \* 10/1992 Bay ..... D10/111

D447,052 S \* 8/2001 Goserud ..... D9/418  
D545,342 S \* 6/2007 Sakamaki ..... D16/221  
D555,690 S \* 11/2007 Choi ..... D16/202  
D574,654 S \* 8/2008 Kaiser ..... D6/627  
D585,888 S \* 2/2009 Watson ..... D14/341  
D642,414 S \* 8/2011 Wynalda, Jr. .... D6/407  
D646,917 S \* 10/2011 Wynalda, Jr. .... D6/627  
D658,404 S \* 5/2012 Justin, III ..... D6/552  
D668,250 S \* 10/2012 Flagiello ..... D14/341  
D669,112 S \* 10/2012 Gustaveson ..... D16/208  
D708,657 S \* 7/2014 Gustaveson ..... D16/250  
D719,845 S \* 12/2014 Lee ..... D9/702  
D725,411 S \* 3/2015 Jannetides ..... D6/663  
D782,562 S \* 3/2017 Gustaveson, II ..... D16/237

(Continued)

**OTHER PUBLICATIONS**

Reed sensors in Automobile Sun Visor, announced 2017 [online],  
site visited Nov. 9, 2017], Available from Internet URL: <<https://www.reed-sensor.com/applications/automotive/sun-visor/>>.\*

(Continued)

*Primary Examiner* — Barbara Fox  
*Assistant Examiner* — Mary C Ramirez  
(74) *Attorney, Agent, or Firm* — Steven E. Shapiro

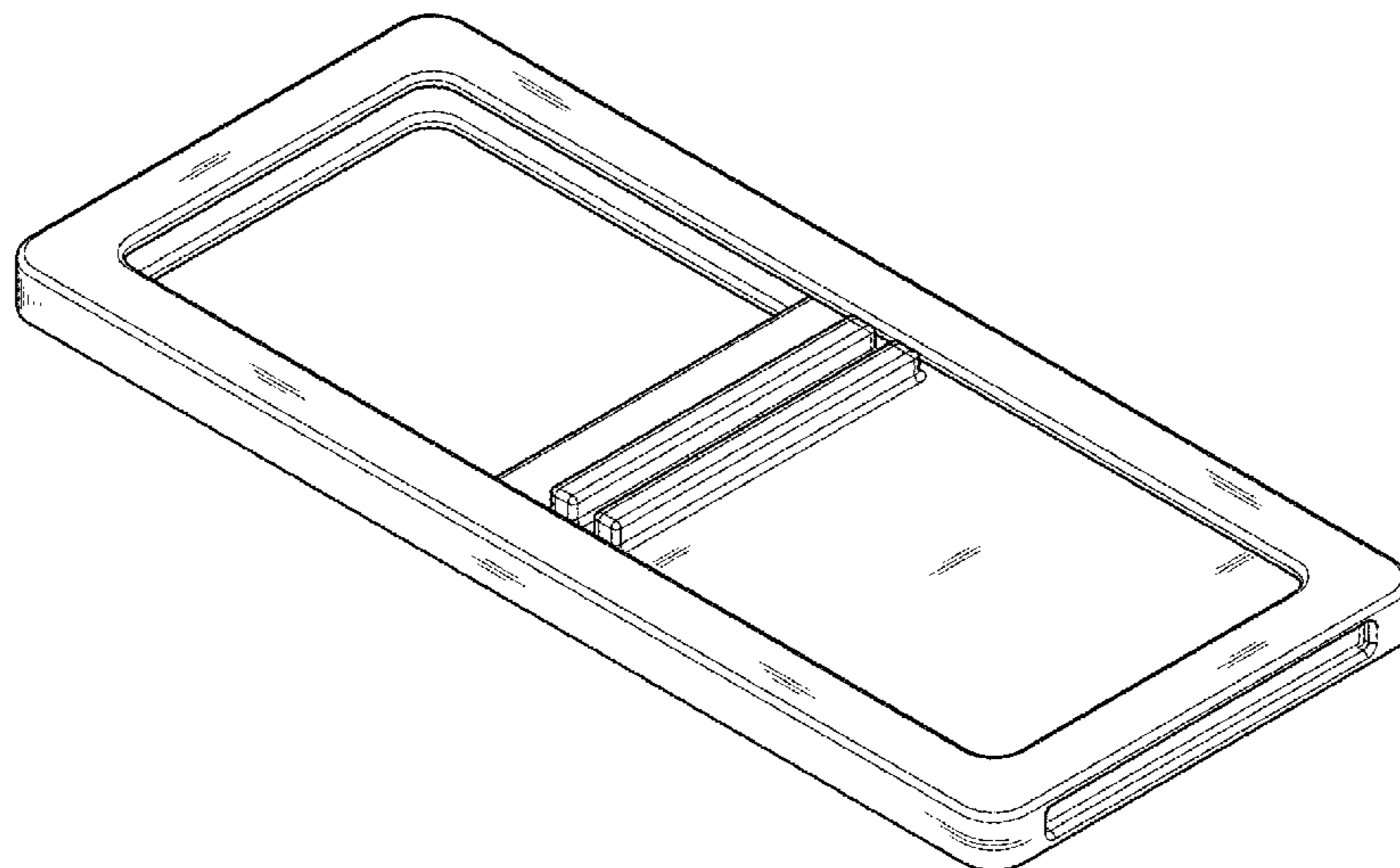
(57) **CLAIM**

The ornamental design for a webcam cover, as shown and  
described.

**DESCRIPTION**

FIG. 1 is a top perspective view of a webcam cover;  
FIG. 2 is a bottom perspective view of the webcam cover;  
FIG. 3 is a front view of the webcam cover;  
FIG. 4 is a rear view of the webcam cover;  
FIG. 5 is a top view of the webcam cover;  
FIG. 6 is a bottom view of the webcam cover;  
FIG. 7 is a left side view of the webcam cover; and,  
FIG. 8 is a right side view of the webcam cover.

**1 Claim, 8 Drawing Sheets**



(56)

**References Cited**

U.S. PATENT DOCUMENTS

D793,465 S \* 8/2017 Kong ..... D14/439  
2007/0251843 A1 \* 11/2007 Wynalda, Jr. .... G11B 33/0411  
206/308.1

OTHER PUBLICATIONS

Webcam Slide Cover, announced Jun. 15, 2016 [online], site visited Nov. 9, 2017], Available from Internet URL: <<https://www.thingiverse.com/thing:1628808>>.\*

Laptop Webcam Privacy Cover, announced Apr. 29, 2017 [online], site visited Nov. 9, 2017], Available from Internet URL: <<https://www.thingiverse.com/thing:2279628>>.\*

Singletrack, announced 2015 [online], site visited Nov. 9, 2017], Available from Internet URL: <<http://singletrackworld.com/forum/topic/wca-shed-thread/page/5>>.\*

Webcam Cover with Oem Logo, announced 2017 [online], site visited Nov. 9, 2017], Available from Internet URL: <[https://www.alibaba.com/product-detail/Webcam-Cover-With-Oem-Your-Logo\\_60717272864.html](https://www.alibaba.com/product-detail/Webcam-Cover-With-Oem-Your-Logo_60717272864.html) <https://www.alibaba.com/showroom/laptop-webcam-cover.html>>.\*

Bnr High Quality Laptop Webcam Cover With Oem, announced 2017 [online], site visited Nov. 9, 2017], Available from Internet URL: <[https://www.alibaba.com/product-detail/From-BNR-High-Quality-Laptop-Webcam\\_60659965964.html?spm=a2700.7724857.main07.56.329924d2kG3qlg](https://www.alibaba.com/product-detail/From-BNR-High-Quality-Laptop-Webcam_60659965964.html?spm=a2700.7724857.main07.56.329924d2kG3qlg)>.\*

\* cited by examiner

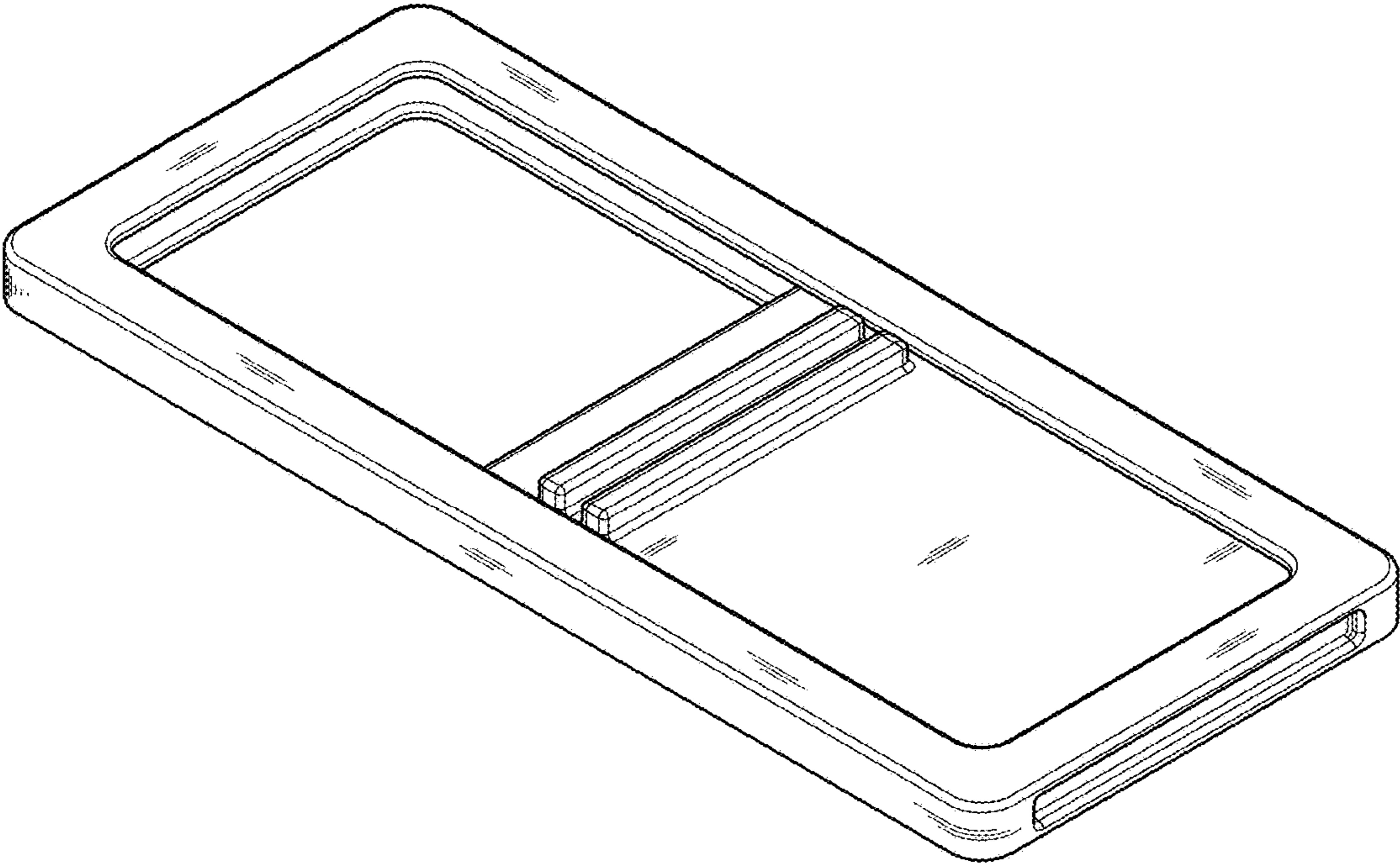


FIG. 1

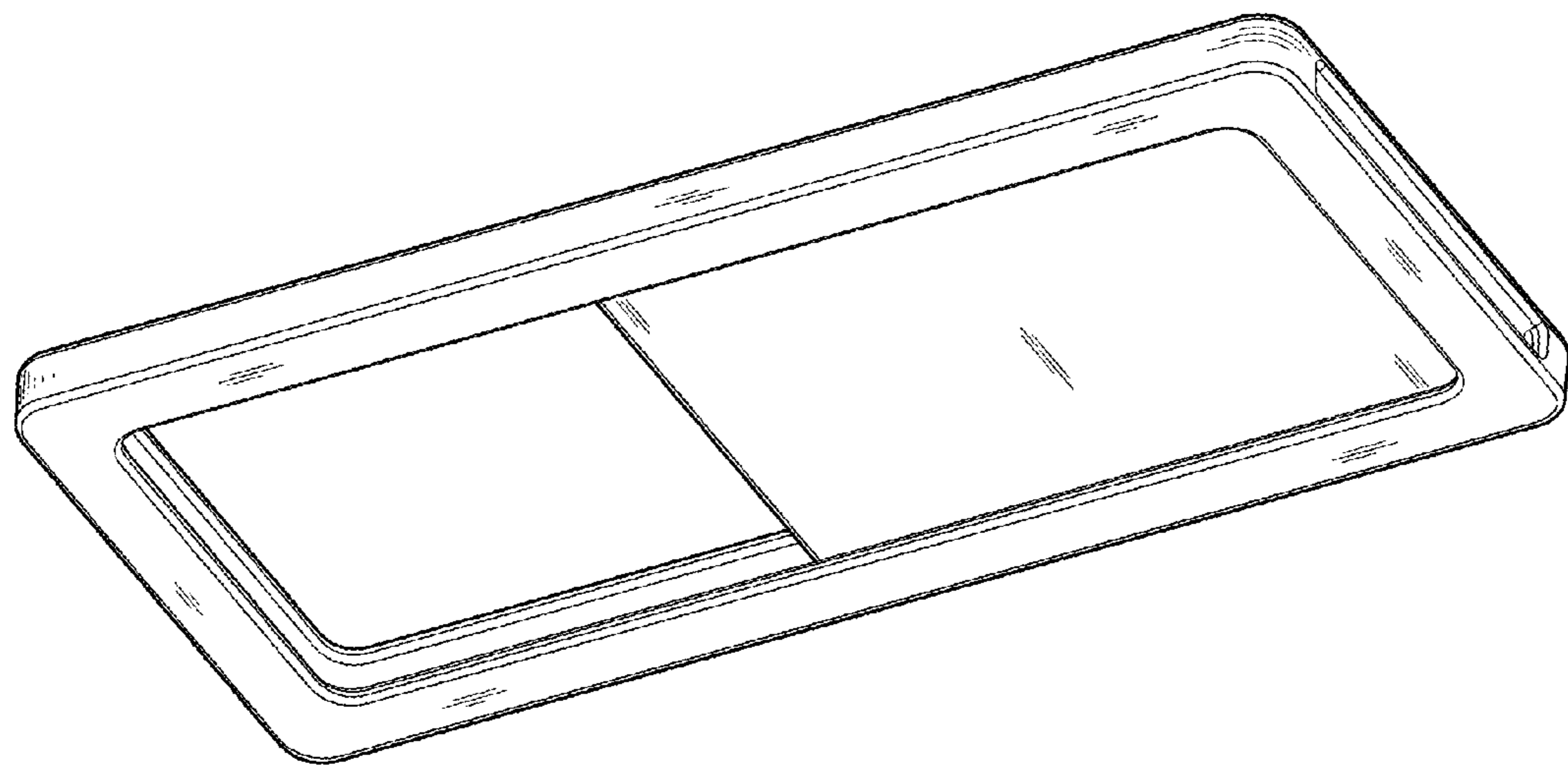


FIG. 2

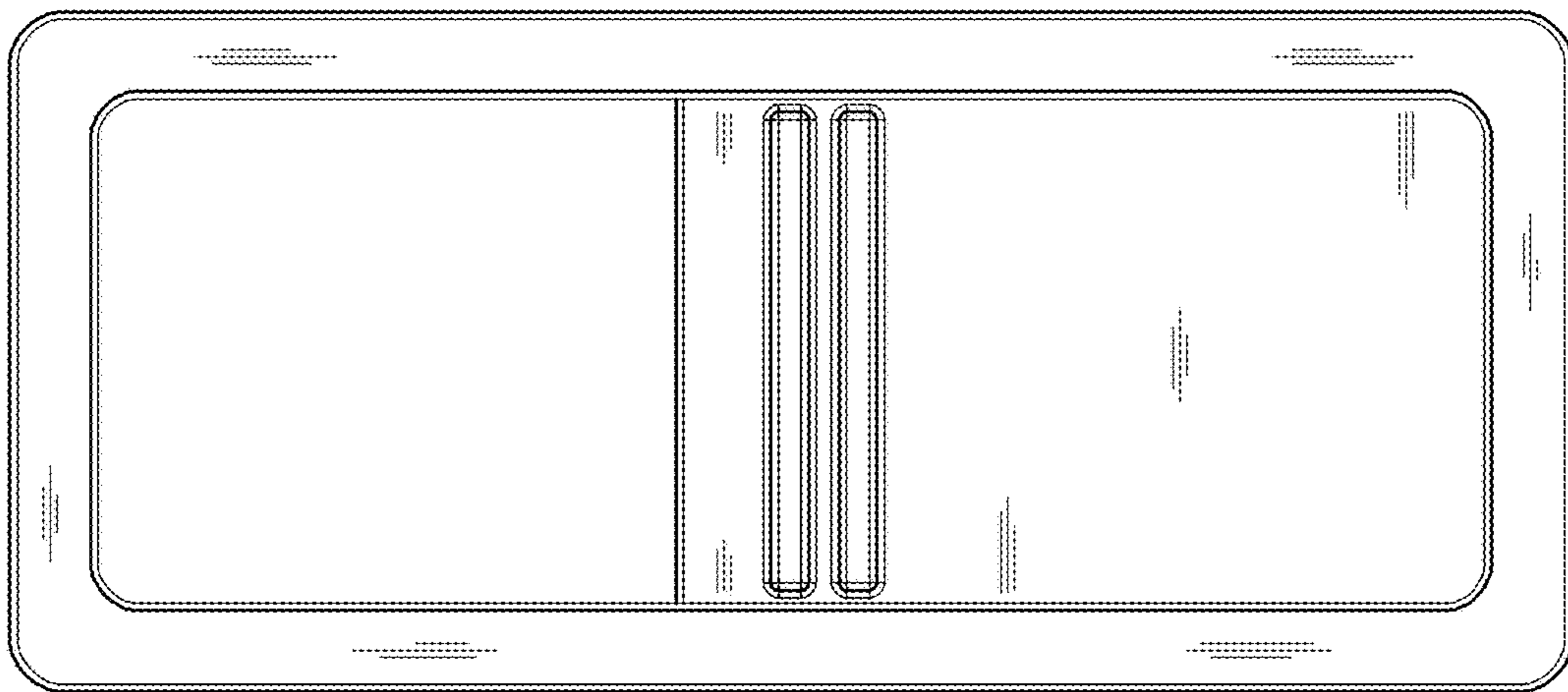


FIG. 3

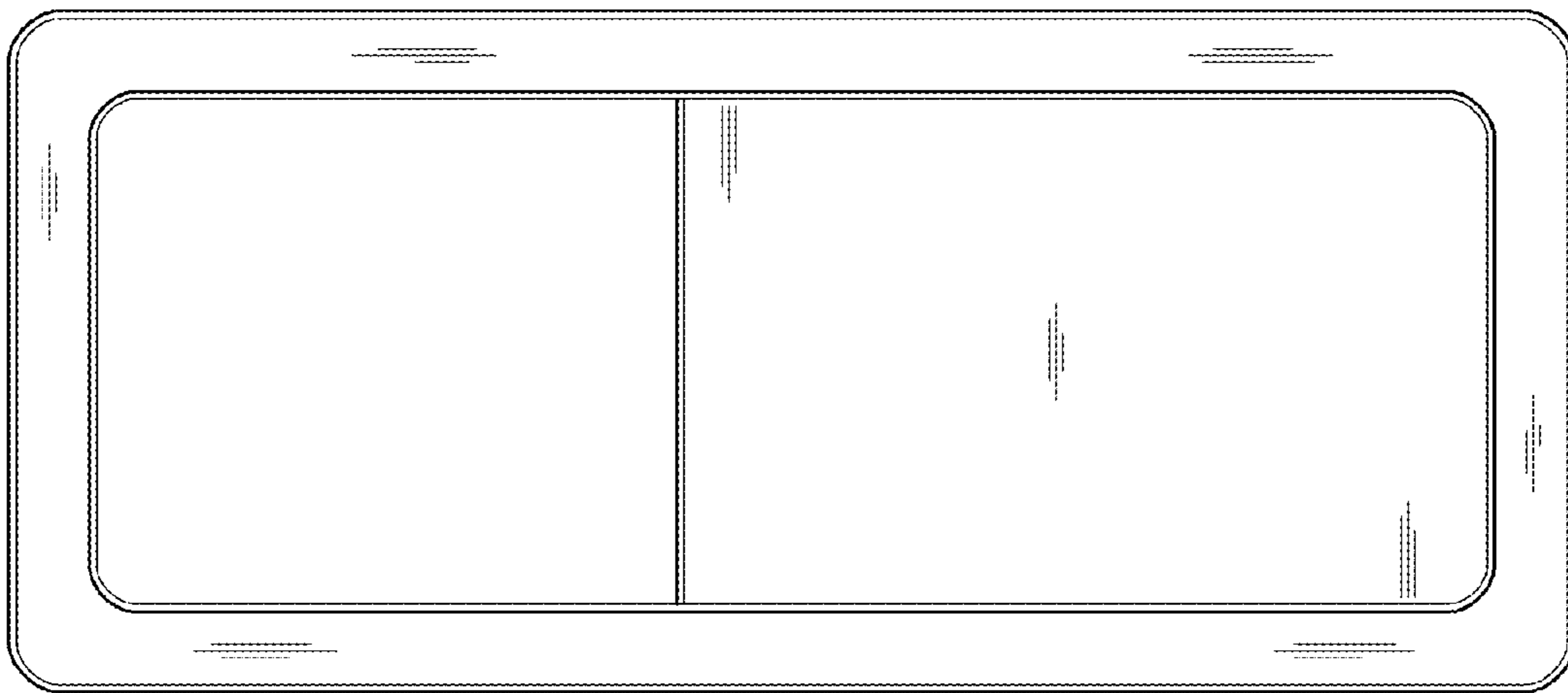


FIG. 4



FIG. 5



FIG. 6



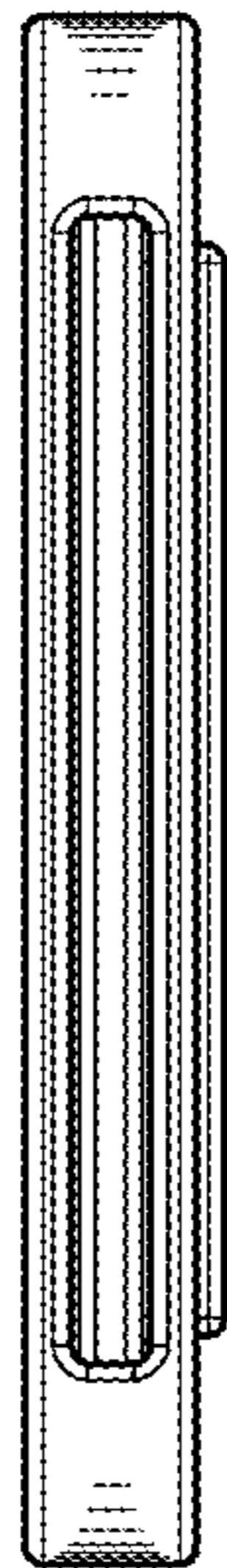


FIG. 7

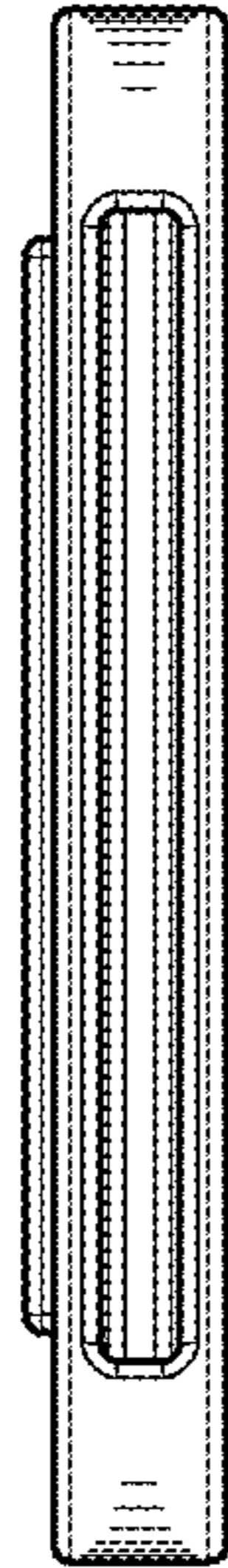


FIG. 8