



US00D816148S

(12) **United States Design Patent** (10) **Patent No.:** **US D816,148 S**
Li (45) **Date of Patent:** **** Apr. 24, 2018**

- (54) **CELL PHONE CAMERA LENS**
- (71) Applicant: **Shenzhen Aukey E-Business Co., Ltd.,**
Shenzhen (CN)
- (72) Inventor: **Yongzhu Li, Shenzhen (CN)**
- (73) Assignee: **Shenzhen Aukey E-Business Co.,**
Ltd., Shenzhen (CN)
- (**) Term: **15 Years**
- (21) Appl. No.: **29/584,574**
- (22) Filed: **Nov. 16, 2016**
- (51) **LOC (11) Cl.** **16-05**
- (52) **U.S. Cl.**
USPC **D16/219; D14/138 C**
- (58) **Field of Classification Search**
USPC D16/130, 134, 136, 200, 202-205, 218,
D16/219, 235, 237; D14/432, 433, 239,
D14/483, 217, 484, 138 C; 348/373-376;
359/826-828; 396/529-532, 535,
396/539-541
CPC G03B 17/02; G03B 19/04; G03B 17/56;
G03B 17/04; G03B 15/03; G03B 17/14;
H04N 5/2251; H04N 5/2252; H04N
5/2253; H04N 5/2254; G02B 7/02; G02B
7/04; G02B 7/14
See application file for complete search history.

(56) **References Cited**

U.S. PATENT DOCUMENTS

D664,580 S *	7/2012	Sigward	D16/219
D664,581 S *	7/2012	Palm	D16/219
D678,379 S *	3/2013	O'Neill	D14/511
D697,958 S *	1/2014	O'Neill	D16/134
D702,751 S *	4/2014	Yoon	D16/219

D704,760 S *	5/2014	Jung	D16/219
D718,362 S *	11/2014	Noh	D16/219
D727,385 S *	4/2015	O'Neill	D16/134
D730,967 S *	6/2015	O'Neill	D16/219
D730,968 S *	6/2015	O'Neill	D16/219
D730,969 S *	6/2015	O'Neill	D16/219
D740,878 S *	10/2015	O'Neill	D16/237
D741,936 S *	10/2015	Chu	D16/219
D741,937 S *	10/2015	Park	D16/219
D745,916 S *	12/2015	Oh	D16/134
9,294,660 B2 *	3/2016	O'Neill	H04N 5/2254
D764,562 S *	8/2016	Kim	D16/219
9,454,066 B2 *	9/2016	O'Neill	G03B 17/565
2014/0071547 A1 *	3/2014	O'Neill	G02B 7/02 359/827

* cited by examiner

Primary Examiner — Philip S Hyder

Assistant Examiner — Ramzi Almatrahi

(74) *Attorney, Agent, or Firm* — JiangIP LLC; Yanling Jiang

(57) **CLAIM**

The ornamental design for a cell phone camera lens, as shown and described.

DESCRIPTION

FIG. 1 is a perspective view showing a cell phone camera lens.

FIG. 2 is a front view of a cell phone camera lens.

FIG. 3 is a rear view of a cell phone camera lens.

FIG. 4 is a top view of a cell phone camera lens.

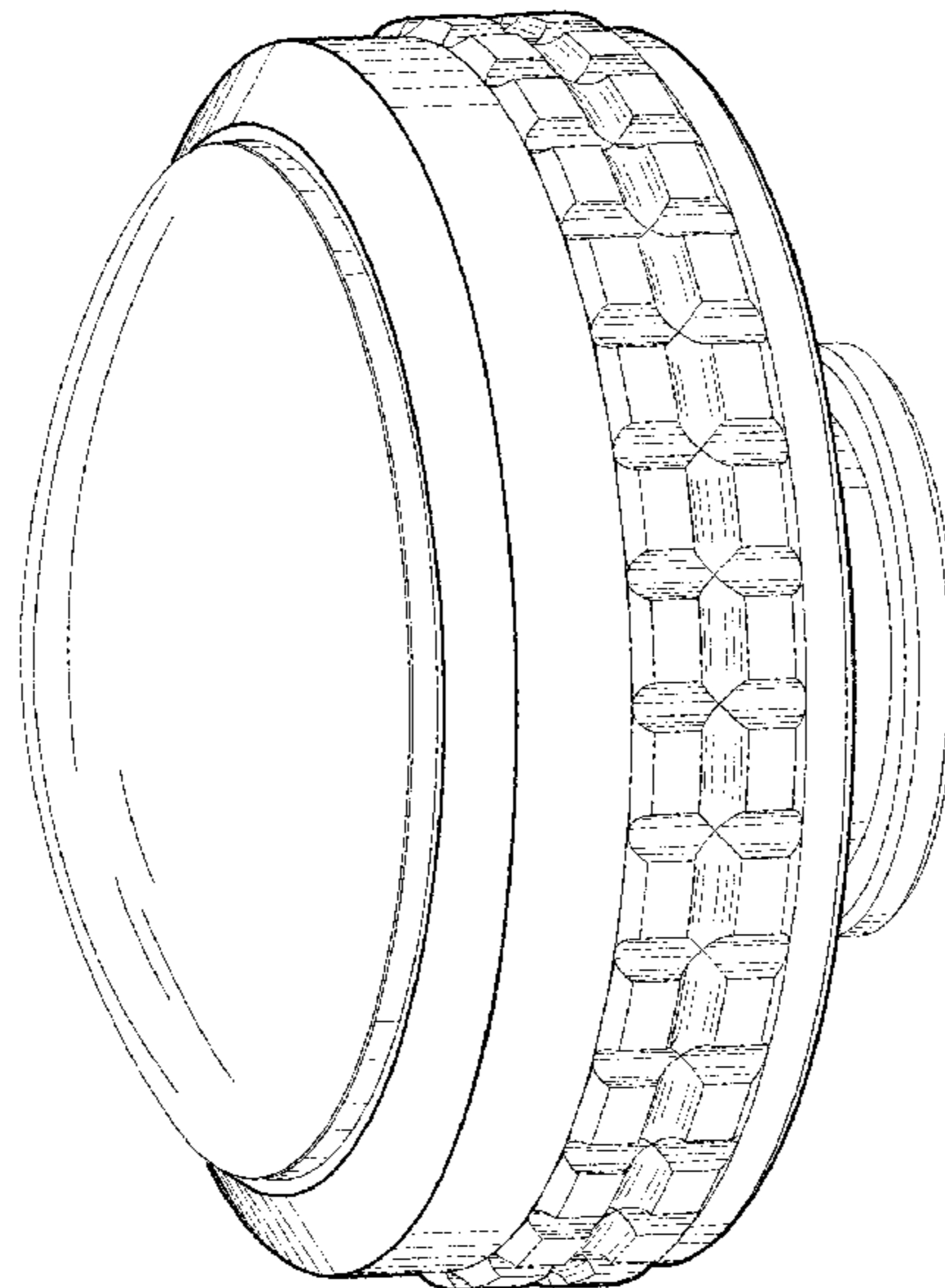
FIG. 5 is a bottom view of a cell phone camera lens.

FIG. 6 is a side view of a cell phone camera lens; and,

FIG. 7 is an opposite side view of a cell phone camera lens.

The broken lines depict portions of the cell phone camera lens in which the design is embodied that form no part of the claimed design.

1 Claim, 7 Drawing Sheets



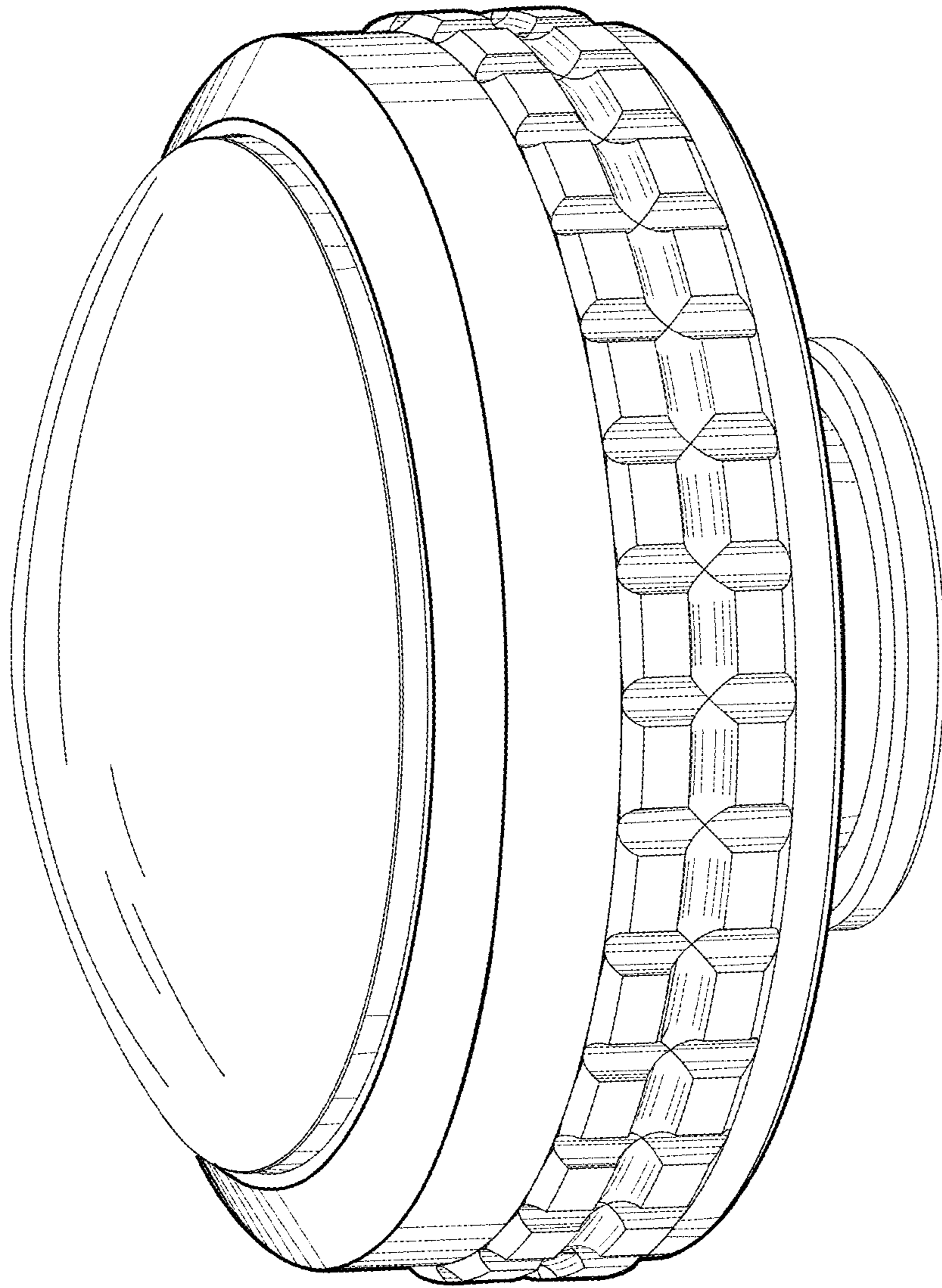


Fig. 1

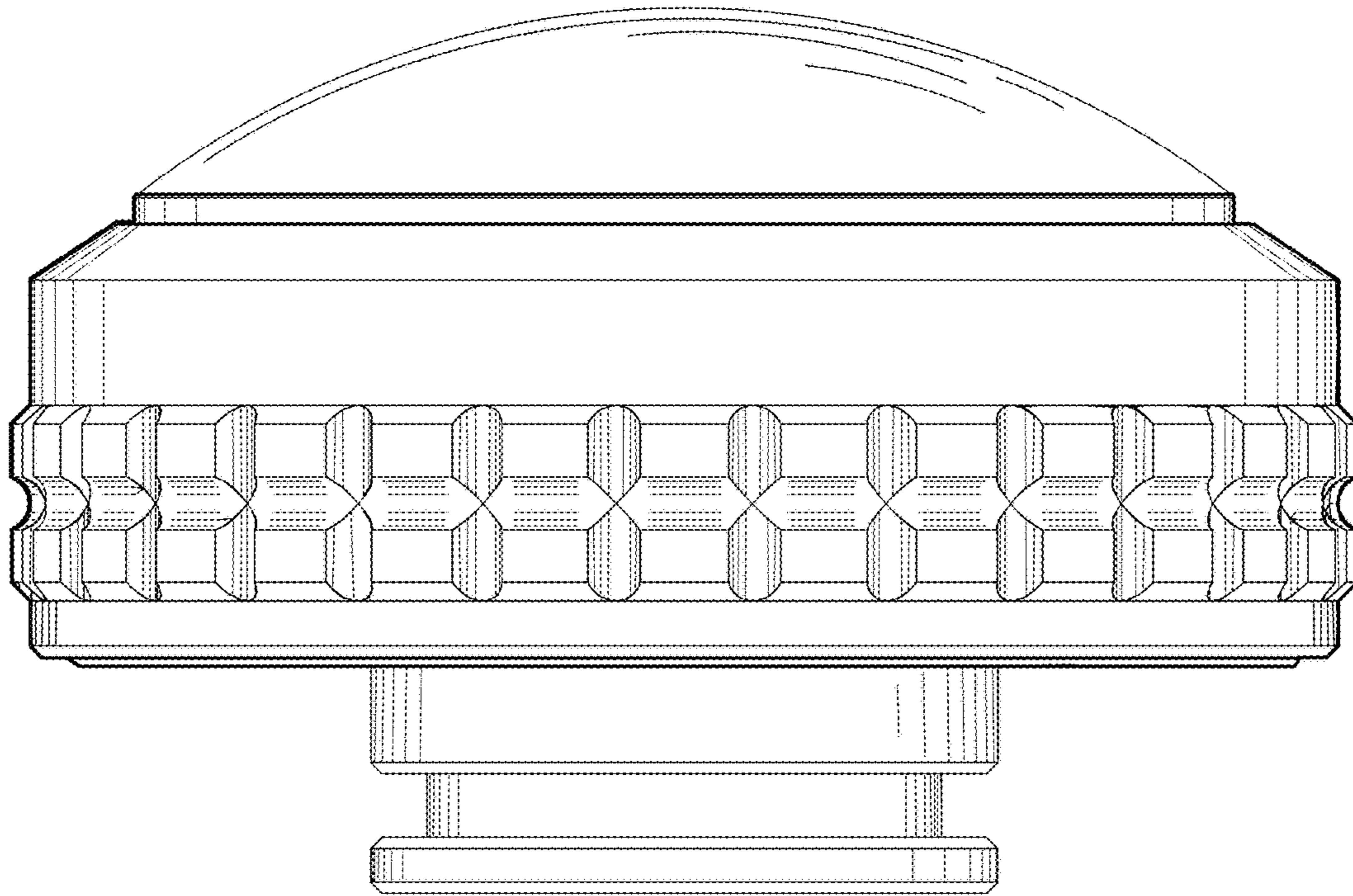


Fig. 2

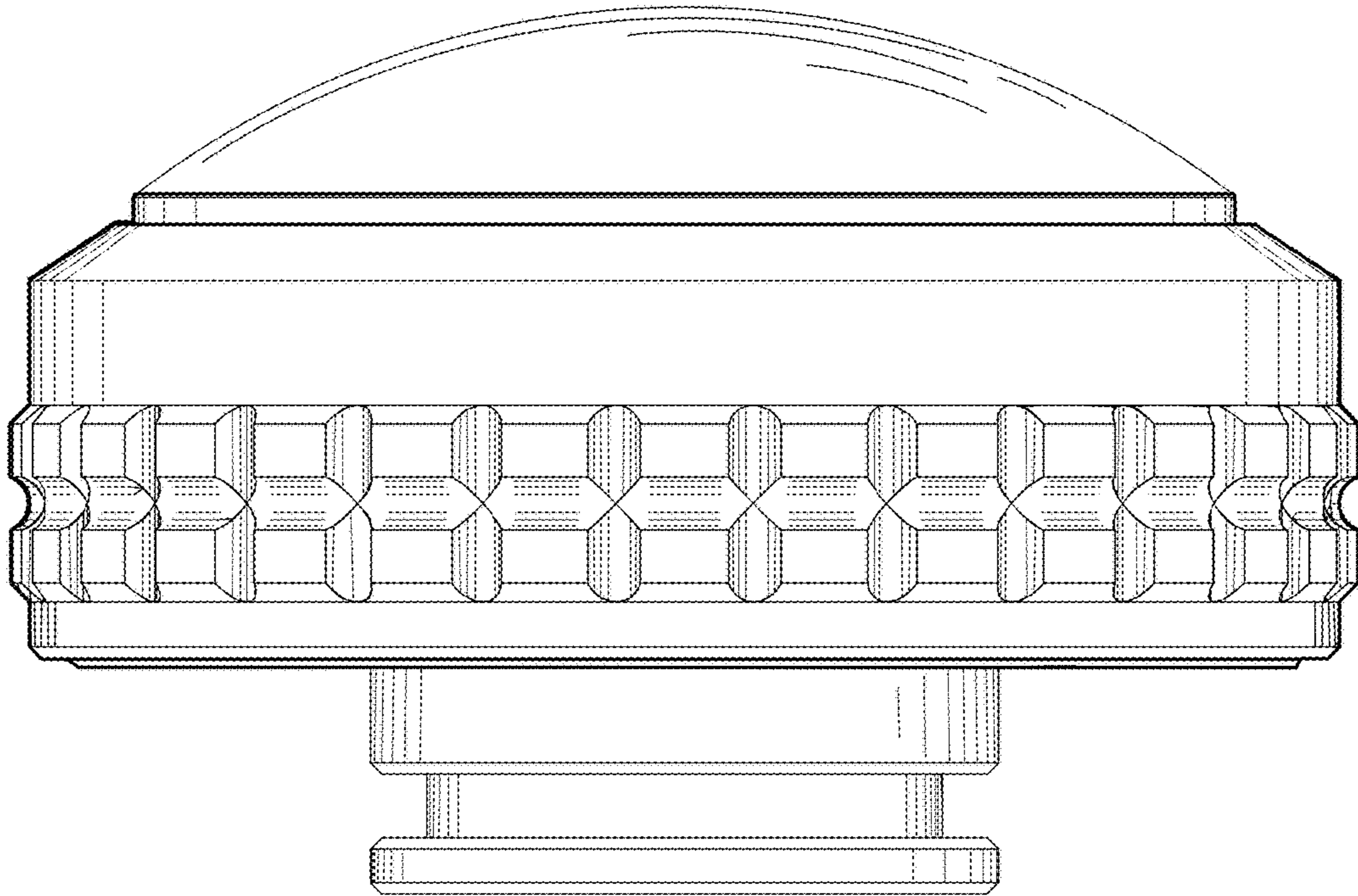


Fig. 3

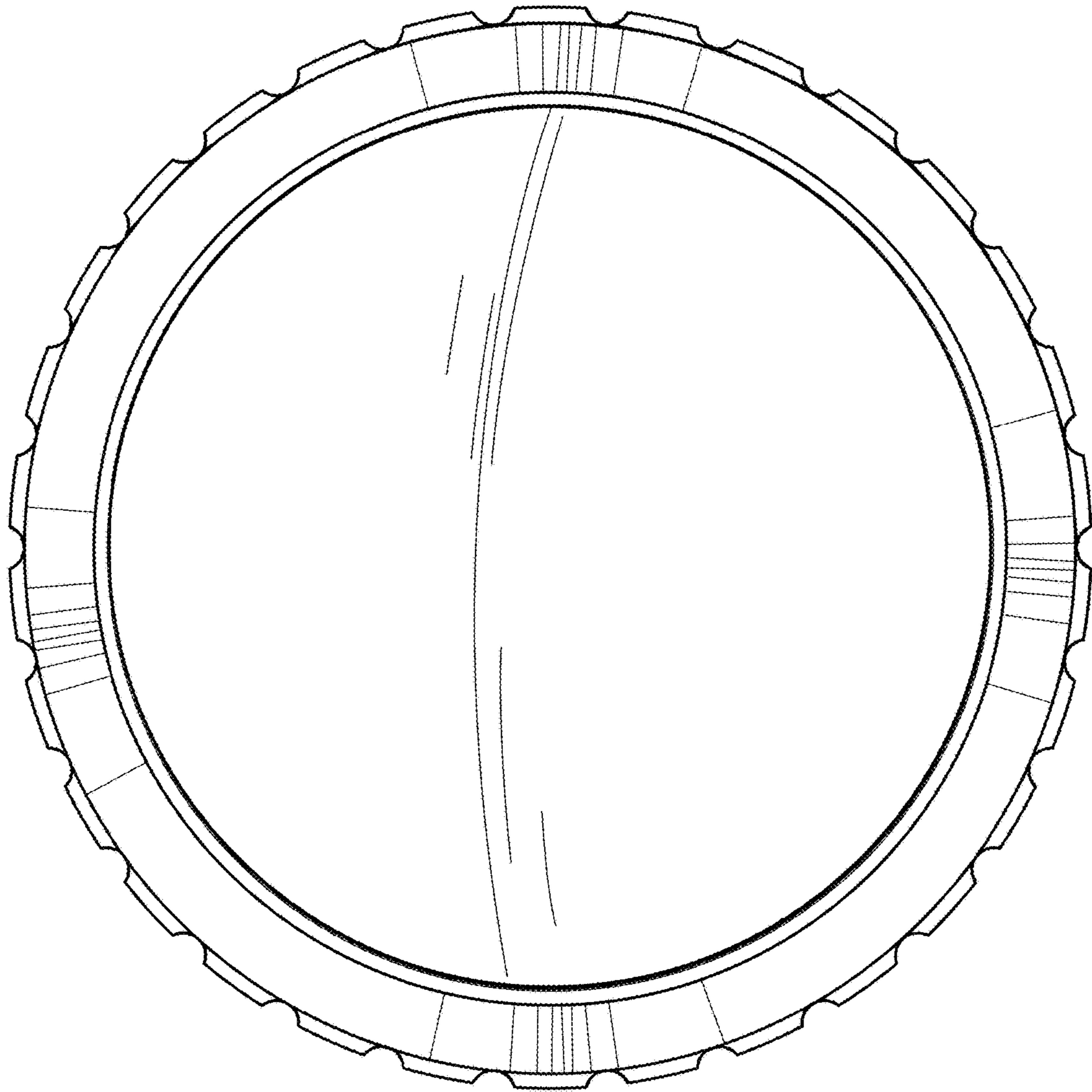


Fig. 4

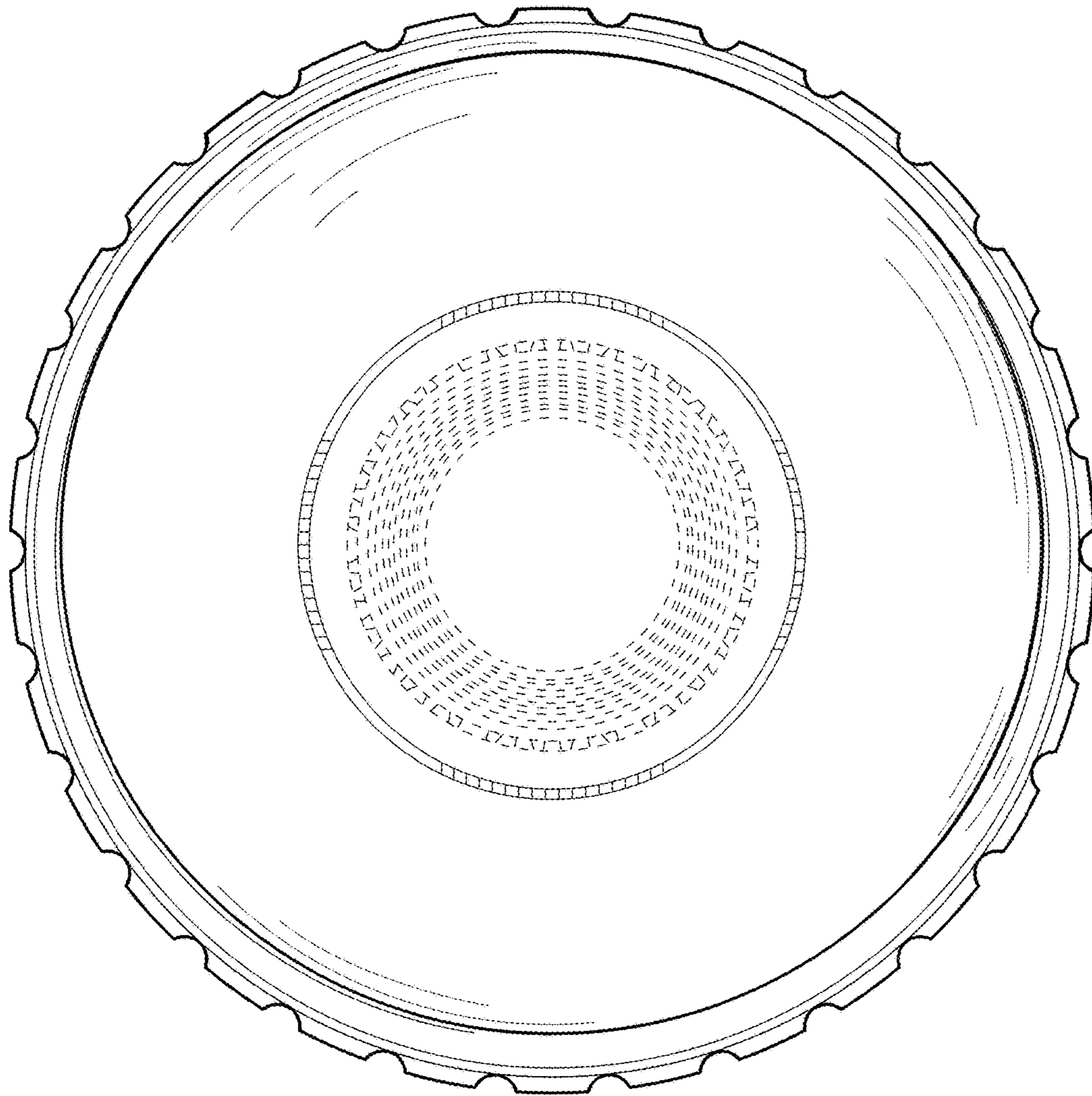


Fig. 5

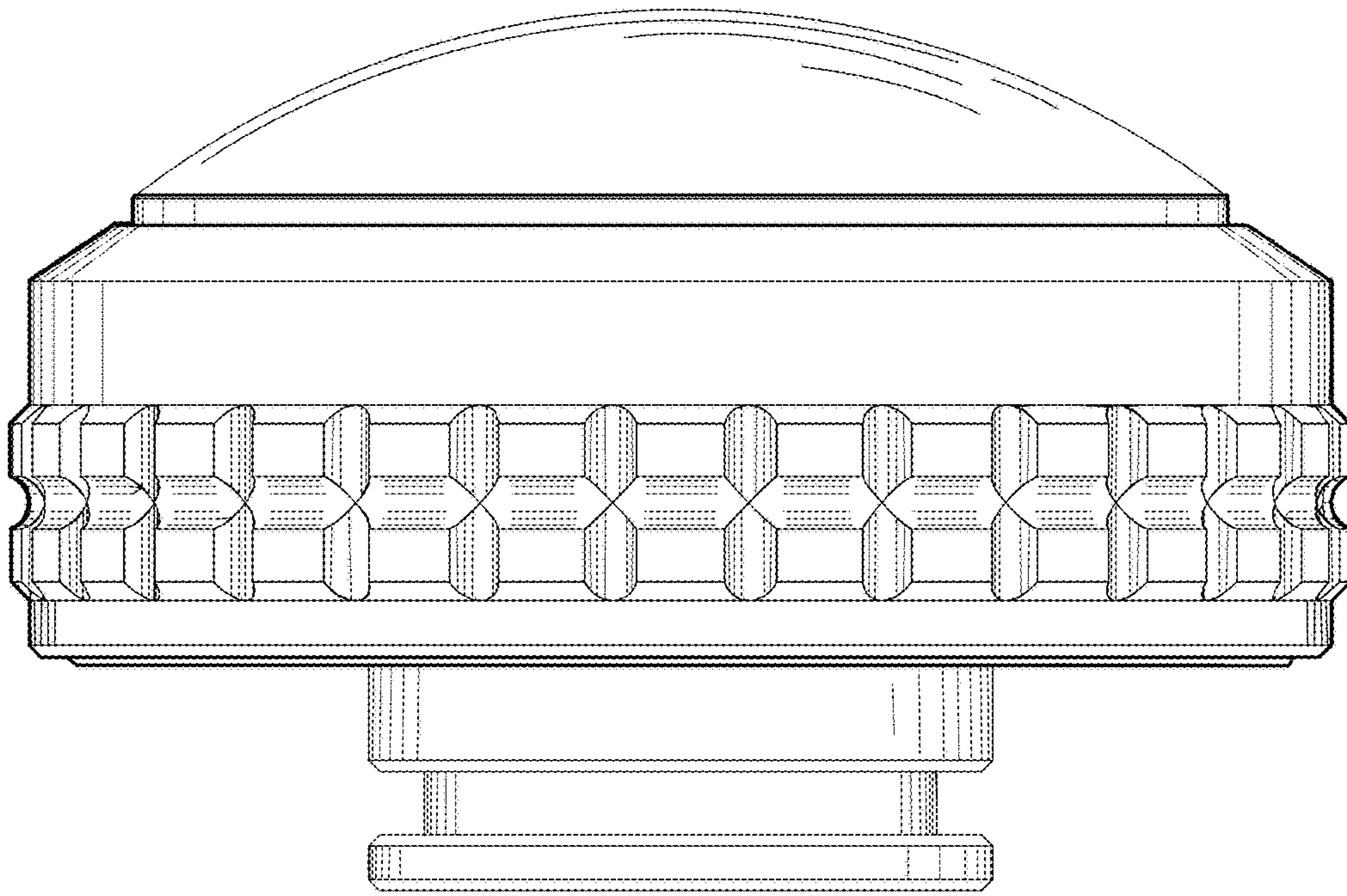


Fig. 6

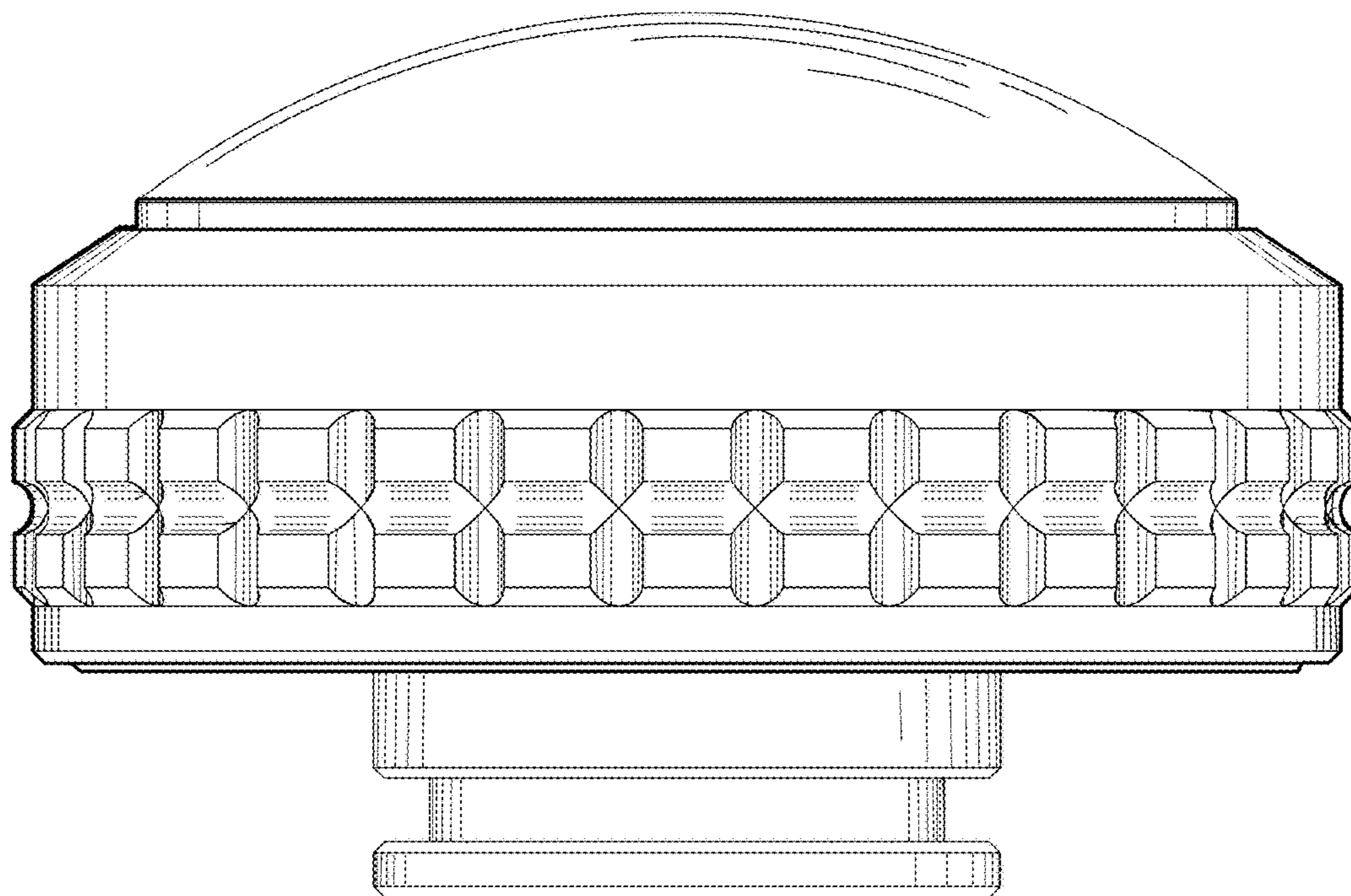


Fig. 7