



US00D816147S

(12) **United States Design Patent** (10) **Patent No.:** **US D816,147 S**
Sakai (45) **Date of Patent:** **** Apr. 24, 2018**

(54) **DIGITAL CAMERA BODY OF LENS REPLACING TYPE**

(56) **References Cited**

(71) Applicant: **OLYMPUS CORPORATION**,
Hachioji-shi, Tokyo (JP)

(72) Inventor: **Koji Sakai**, Hachioji (JP)

(73) Assignee: **OLYMPUS CORPORATION**, Tokyo
(JP)

(**) Term: **15 Years**

(21) Appl. No.: **29/580,408**

(22) Filed: **Oct. 7, 2016**

(30) **Foreign Application Priority Data**

Aug. 9, 2016 (JP) 2016-017087

(51) **LOC (11) Cl.** **16-05**

(52) **U.S. Cl.**
USPC **D16/219**

(58) **Field of Classification Search**
USPC D16/200, 202-205, 208, 209, 218, 219;
348/373-376; 396/535, 538-541
CPC G03B 17/02; G03B 19/04; G03B 17/56;
G03B 17/04; G03B 15/03; G03B 15/05;
H04N 5/2251; H04N 5/2252; H04N
5/2253; H04N 5/2254; H04N 2007/145;
H04N 7/141; H04N 7/142; H04N 7/147;
H04N 7/148; H04N 7/15; H04N 7/152

See application file for complete search history.

U.S. PATENT DOCUMENTS

D573,626 S *	7/2008	Nakajima	D16/219
D681,090 S *	4/2013	Tainaka	D16/200
D683,382 S *	5/2013	Tainaka	D16/200
D720,787 S *	1/2015	Tainaka	D16/202
D720,793 S *	1/2015	Tajima	D16/219
D754,771 S *	4/2016	Nohara	D16/219

* cited by examiner

Primary Examiner — Philip S Hyder

Assistant Examiner — Ramzi Almatrahi

(74) *Attorney, Agent, or Firm* — Holtz, Holtz & Volek PC

(57) **CLAIM**

The ornamental design for a digital camera body of lens replacing type, as shown and described.

DESCRIPTION

FIG. 1 is a front, top and right side perspective view of a digital camera body of lens replacing type showing my new design;

FIG. 2 is a front elevational view thereof;

FIG. 3 is a rear elevational view thereof;

FIG. 4 is a top plan view thereof;

FIG. 5 is a bottom plan view thereof;

FIG. 6 is right side elevational view thereof; and,

FIG. 7 is a left side elevational view thereof.

The broken lines depict portions of the digital camera body of lens replacing type in which the design is embodied that form no part of the claimed design. Additionally, the dash-dot lines denote the boundary of the claim and form no part of the claimed design.

1 Claim, 4 Drawing Sheets

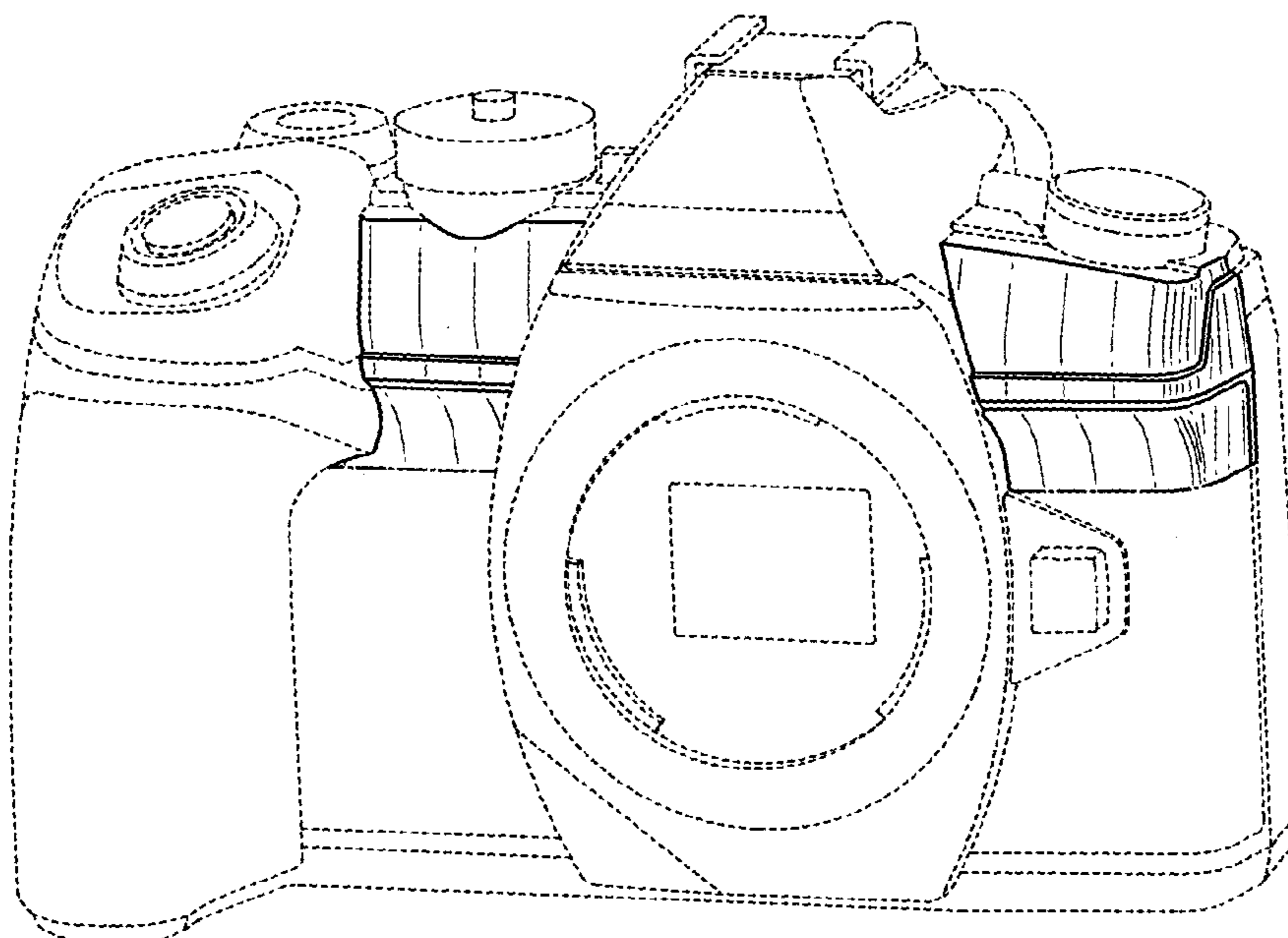


FIG.1

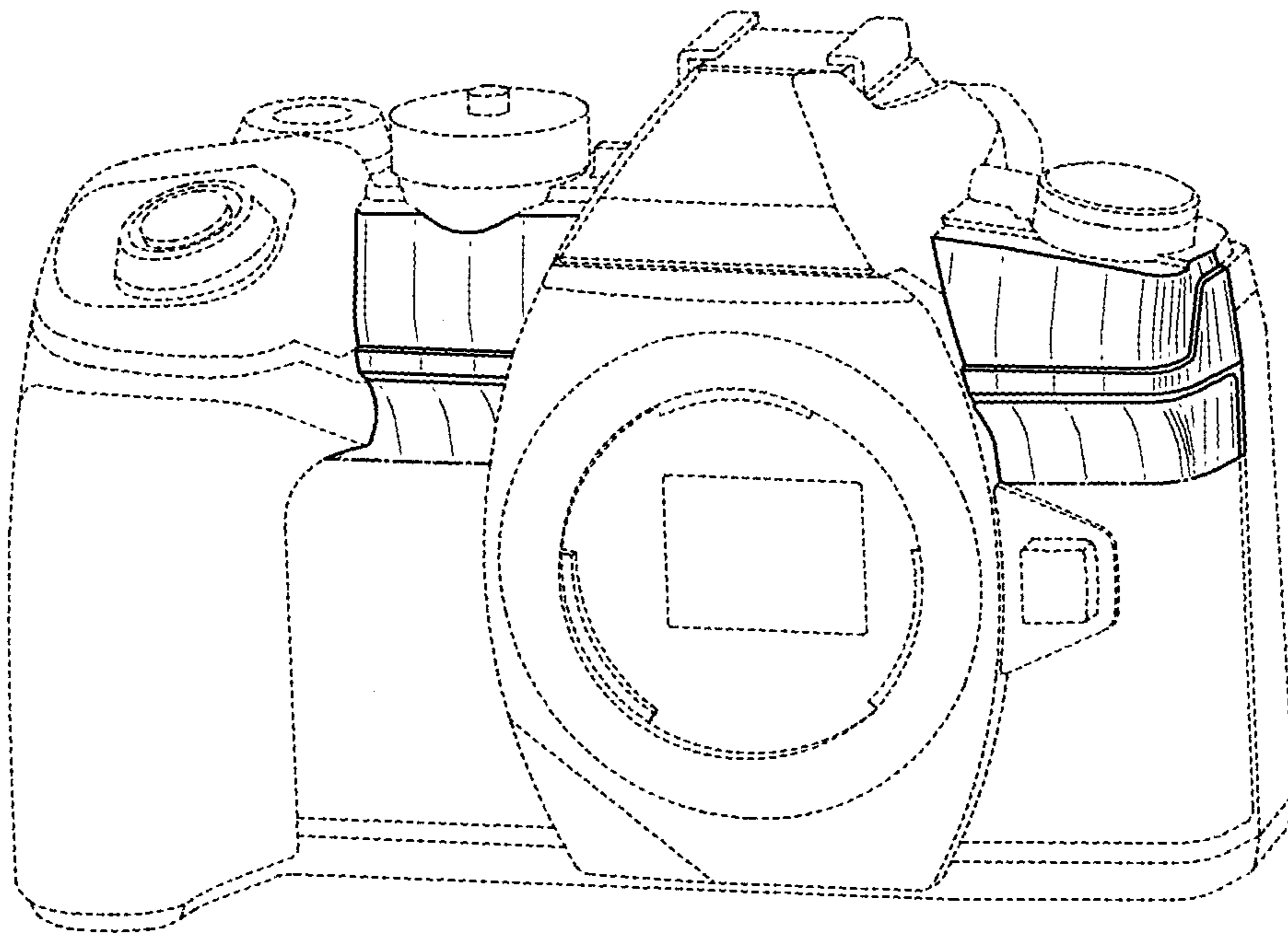


FIG.2

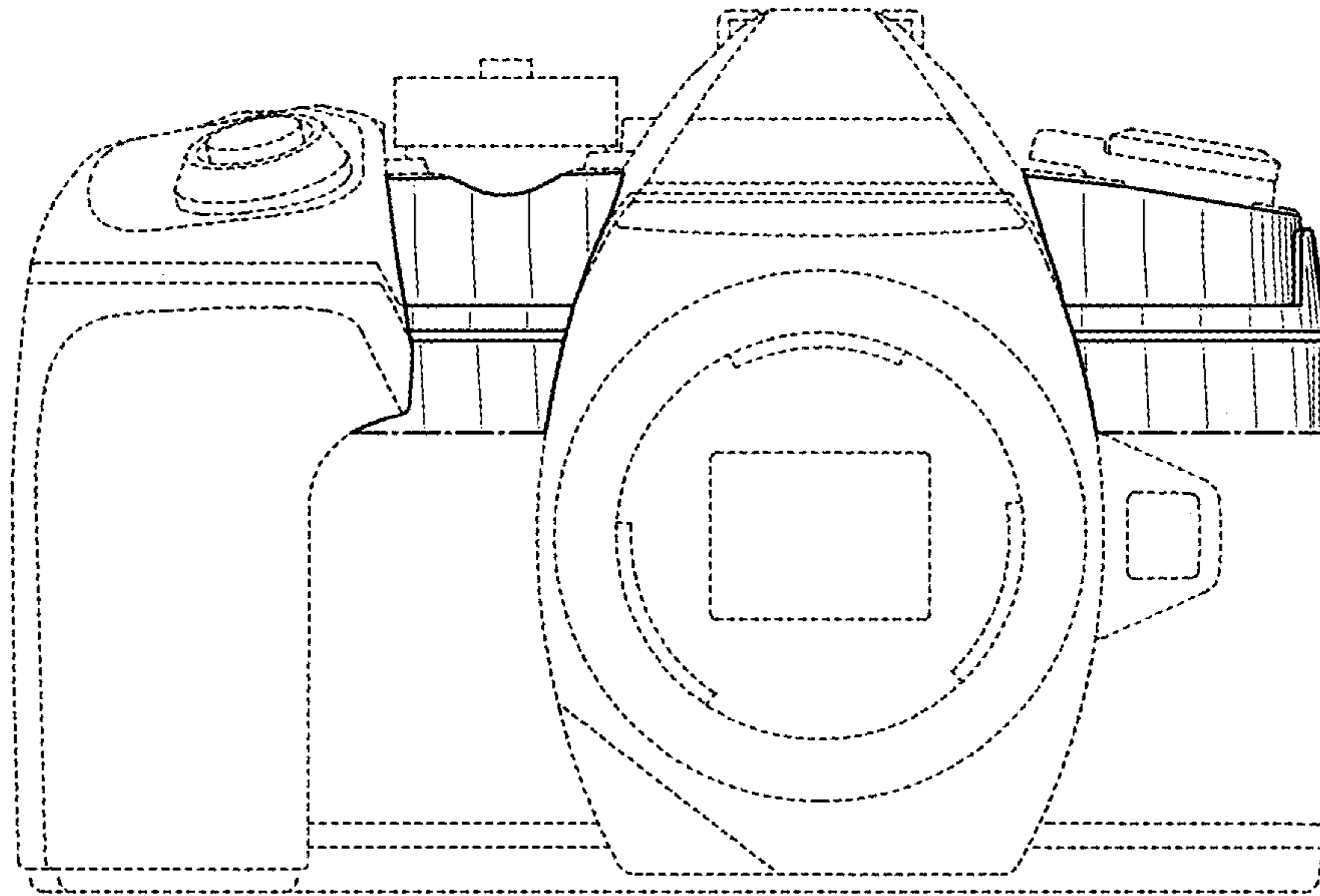


FIG.3

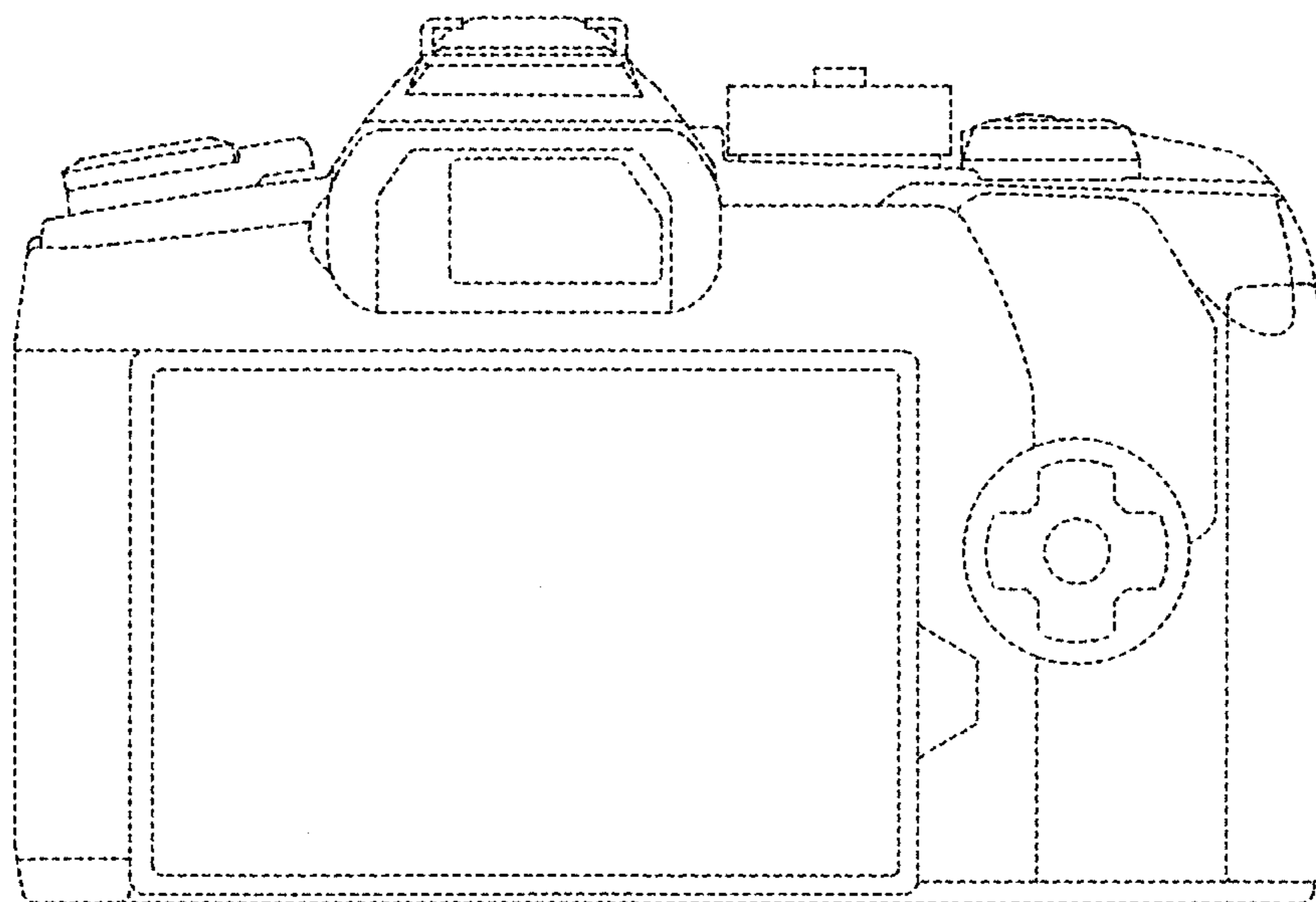


FIG.4

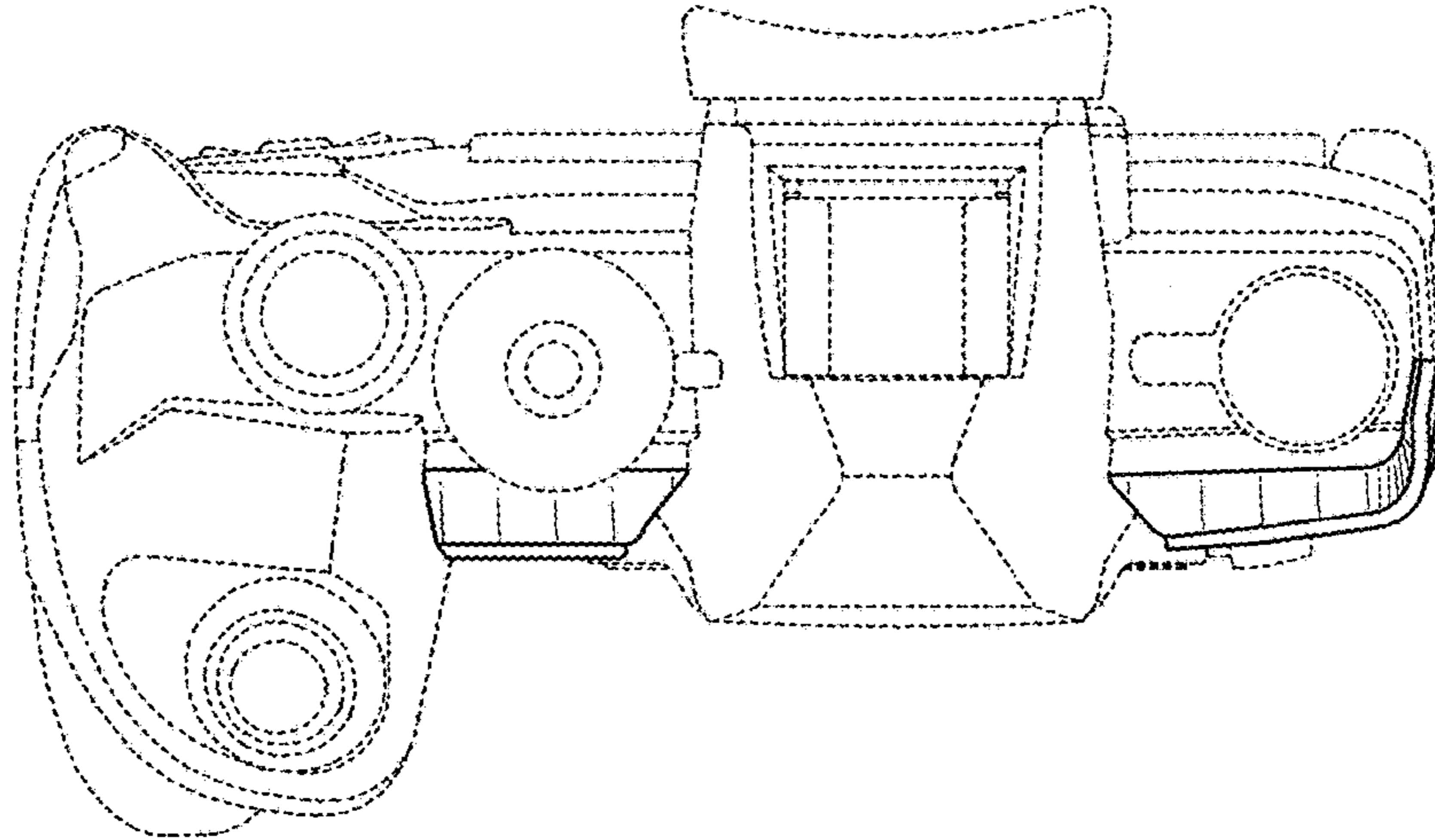


FIG.5

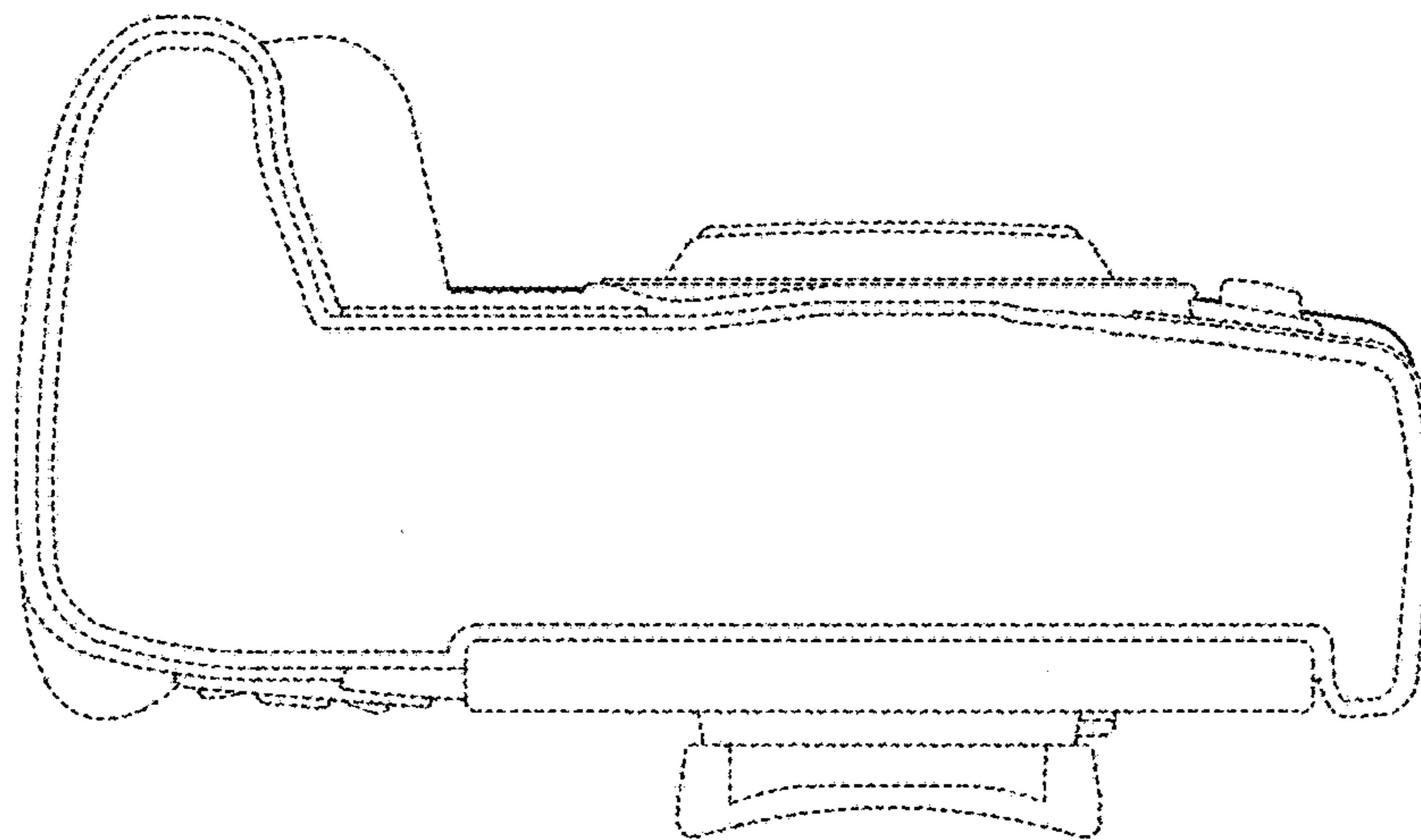


FIG.6

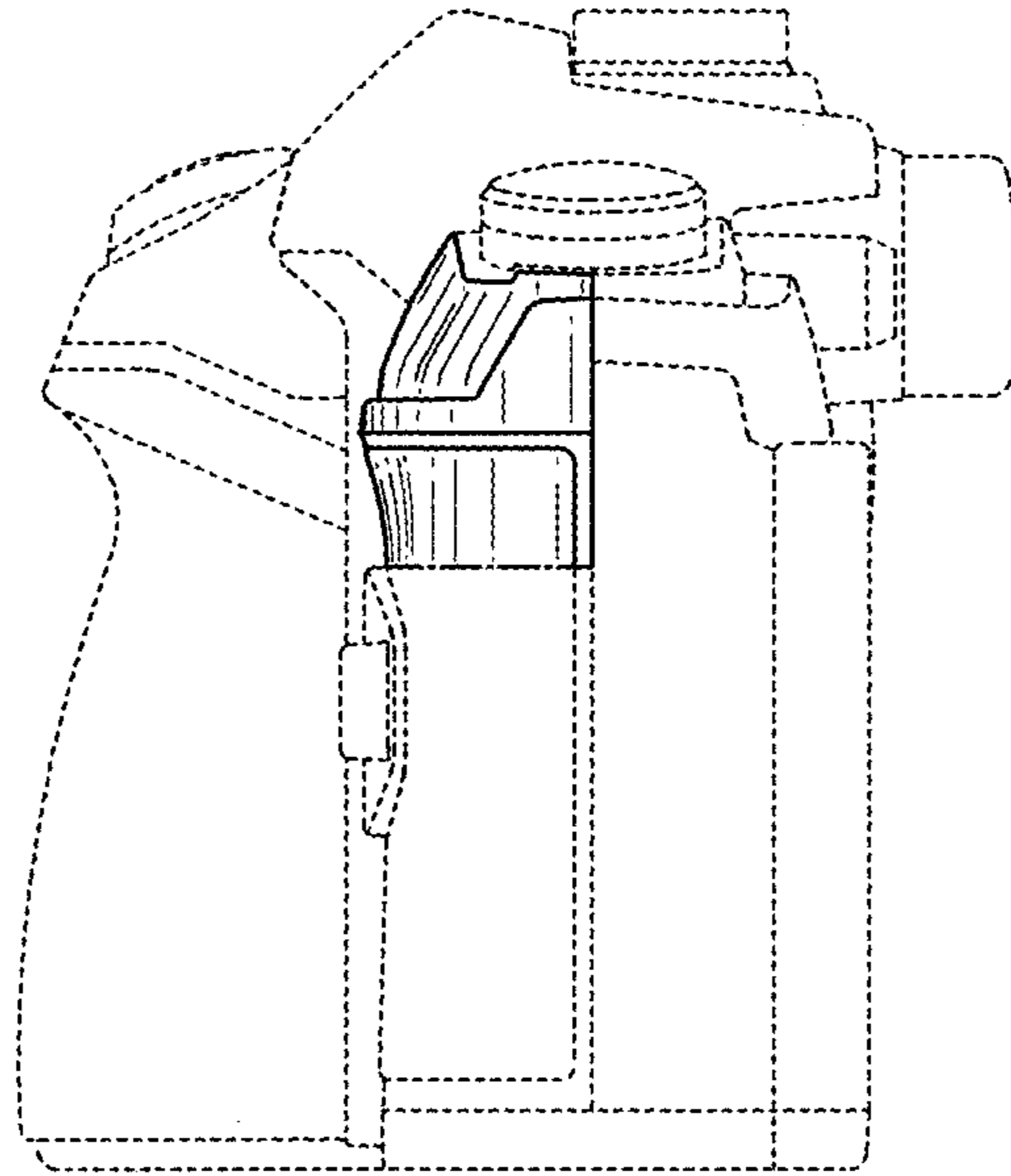


FIG.7

