



US00D816146S

(12) **United States Design Patent** (10) **Patent No.:** **US D816,146 S**  
**Nikaido et al.** (45) **Date of Patent:** **\*\* Apr. 24, 2018**

(54) **DIGITAL CAMERA**

(71) Applicant: **Nikon Corporation**, Tokyo (JP)

(72) Inventors: **Yutaka Nikaido**, Kamakura (JP);  
**Chihiro Tsukamoto**, Tokyo (JP);  
**Masanobu Iwabuchi**, Yokohama (JP);  
**Shoko Ryuen**, Ichikawa (JP); **Yasuki Nagaoka**, Saitama (JP)

(73) Assignee: **Nikon Corporation**, Tokyo (JP)

(\*\*) Term: **15 Years**

(21) Appl. No.: **29/556,919**

(22) Filed: **Mar. 4, 2016**

(30) **Foreign Application Priority Data**

Sep. 7, 2015 (JP) ..... 2015-019850  
Sep. 7, 2015 (JP) ..... 2015-019851  
Sep. 7, 2015 (JP) ..... 2015-019854

(51) **LOC (11) Cl.** ..... **16-05**

(52) **U.S. Cl.**  
USPC ..... **D16/219**

(58) **Field of Classification Search**  
USPC ..... D14/307; D16/200–220, 229, 230, 242,  
D16/244, 245, 238; D20/21, 38, 338;  
D23/283, 305; D25/20, 58

(Continued)

(56) **References Cited**

**U.S. PATENT DOCUMENTS**

D363,301 S \* 10/1995 Giugiaro ..... D16/209  
D388,809 S \* 1/1998 Giugiaro ..... D16/217

(Continued)

**FOREIGN PATENT DOCUMENTS**

JP 1338732 S 9/2008  
JP 1374125 S 11/2009

(Continued)

**OTHER PUBLICATIONS**

Nikon D5, announced 2016, [site visited Apr. 29, 2017], Available from Internet, URL: <<http://www.kenrockwell.com/nikon/d5.htm>>.\*

(Continued)

*Primary Examiner* — Barbara Fox  
*Assistant Examiner* — Mary C Ramirez

(74) *Attorney, Agent, or Firm* — Wolf, Greenfield & Sacks, P.C.

(57) **CLAIM**

The ornamental design for a digital camera, as shown and described.

**DESCRIPTION**

FIG. 1 is a front, top, and right side perspective view of a first embodiment of a digital camera showing our new design;

FIG. 2 is a rear, top, and left side perspective view thereof;

FIG. 3 is a front view thereof;

FIG. 4 is a rear view thereof;

FIG. 5 is a top plan view thereof;

FIG. 6 is a bottom plan view thereof;

FIG. 7 is a right side view thereof;

FIG. 8 is a left side view thereof;

FIG. 9 is a front, top, and right side perspective view of a second embodiment of a digital camera showing our new design;

FIG. 10 is a rear, top, and left side perspective view thereof;

FIG. 11 is a front view thereof;

FIG. 12 is a rear view thereof;

FIG. 13 is a top plan view thereof;

FIG. 14 is a bottom plan view thereof;

FIG. 15 is a right side view thereof;

FIG. 16 is a left side view thereof;

FIG. 17 is a front, top, and right side perspective view of a third embodiment of a digital camera showing our new design;

FIG. 18 is a rear, top, and left side perspective view thereof;

FIG. 19 is a front view thereof;

FIG. 20 is a rear view thereof;

(Continued)

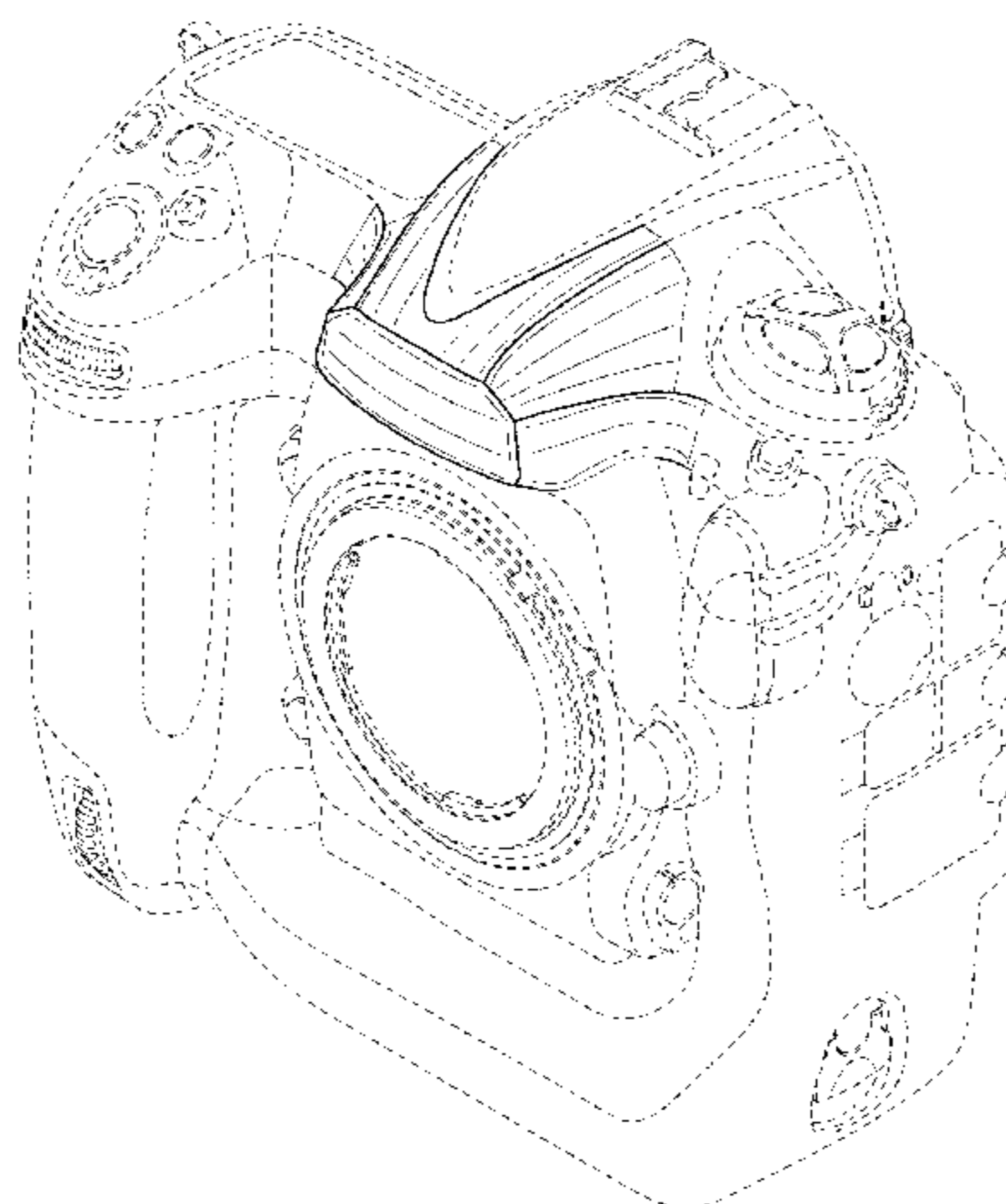


FIG. 21 is a top plan view thereof;  
 FIG. 22 is a bottom plan view thereof;  
 FIG. 23 is a right side view thereof; and,  
 FIG. 24 is a left side view thereof.

The features shown in broken lines in the drawings illustrate portions of the digital camera that form no part of the claimed design. The dash-dotted lines denote the boundary of the claim and form no part of the claimed design.

**1 Claim, 24 Drawing Sheets**

**(58) Field of Classification Search**

CPC ..... H04N 7/181; H04N 7/183; H04N 7/18;  
 H04N 3/08; H04N 5/23248; H04N  
 5/23287; H04N 5/23258; H04N 5/2251;  
 H04N 5/2252; H04N 2007/145; G01C  
 11/025; G03B 15/00; G03B 15/03; G03B  
 17/56; G03B 17/02; G03B 17/30; G03B  
 17/04; G03B 17/00; G03B 19/04; G03B  
 3/00; B60R 1/00; B60R 2300/105; G08B  
 13/19619; G08B 13/1963; G08B  
 13/19632; F16M 11/04; F16M 13/00;  
 Y02E 60/12

See application file for complete search history.

**(56) References Cited**

**U.S. PATENT DOCUMENTS**

D390,859 S \* 2/1998 Nojima ..... D16/209  
 D422,613 S \* 4/2000 Nagaoka ..... D16/209  
 D424,593 S \* 5/2000 Nojima ..... D16/217  
 D433,435 S \* 11/2000 Hamamura ..... D16/217  
 D441,779 S \* 5/2001 Akabane ..... D16/209  
 D450,739 S \* 11/2001 Nojima ..... D16/217  
 6,351,609 B1 \* 2/2002 Hosokawa ..... G03B 15/03  
 396/177  
 D491,596 S \* 6/2004 Haga ..... D16/202  
 D524,346 S \* 7/2006 Haga ..... D16/202  
 D557,308 S \* 12/2007 Matsuda ..... D16/202  
 D559,291 S \* 1/2008 Hayashi ..... D16/202  
 D563,445 S \* 3/2008 Sakai ..... D16/202  
 D564,561 S \* 3/2008 Takahashi ..... D16/200  
 D604,349 S \* 11/2009 Miyashita ..... D16/206  
 D605,679 S \* 12/2009 Hayashi ..... D16/206  
 D672,802 S \* 12/2012 Nojima ..... D16/219  
 D677,300 S \* 3/2013 Yokoi ..... D16/219  
 D690,755 S 10/2013 Nikaido  
 D690,756 S 10/2013 Giugiaro et al.  
 D696,332 S \* 12/2013 Yanagisawa ..... D16/219

D723,085 S \* 2/2015 Soejima ..... D16/219  
 D745,077 S \* 12/2015 Watanabe ..... D16/219  
 D749,658 S 2/2016 Watanabe  
 2012/0045194 A1\* 2/2012 Yoshii ..... G02B 7/282  
 396/89

**FOREIGN PATENT DOCUMENTS**

JP 1401594 S 11/2010  
 JP 1450407 S 9/2012  
 JP 1450408 S 9/2012  
 JP 1466669 S 4/2013  
 JP 1527898 S 7/2015  
 JP 1535202 S 10/2015

**OTHER PUBLICATIONS**

Nikon D810, announced 2015, [site visited Apr. 29, 2017], Available from Internet, URL: <<http://www.nikonusa.com/en/nikon-products/product/dslr-cameras/d810.html>>.\*

Nikon D500, announced 2016, [site visited Apr. 29, 2017], Available from Internet, URL: <<http://www.nikonusa.com/en/nikon-products/product/dslr-cameras/d500.html>>.\*

Nikon D5300, announced Dec. 2, 2013, [site visited Apr. 29, 2017], Available from Internet, URL: <<http://www.nikonusa.com/en/nikon-products/product/dslr-cameras/d5300.html#tab-ProductDetail-ProductTabs-RatingsReviews>>.\*

Nikon D7200, announced Feb. 25, 2017, [site visited Apr. 29, 2017], Available from Internet, URL: [https://www.bhphotovideo.com/c/product/1127271-REG/nikon\\_1554\\_d7200\\_dslr\\_camera\\_body.html](https://www.bhphotovideo.com/c/product/1127271-REG/nikon_1554_d7200_dslr_camera_body.html).\*

Web page of Nikon Corporation, News release dated Apr. 20, 2005 which introduces the launch of “Nikon D50”, a Nikon digital single-lens reflex camera, printed from the Internet on Feb. 19, 2016, pp. 1-10. [http://www.nikon.co.jp/news/2005/0420\\_d50\\_02.htm](http://www.nikon.co.jp/news/2005/0420_d50_02.htm).

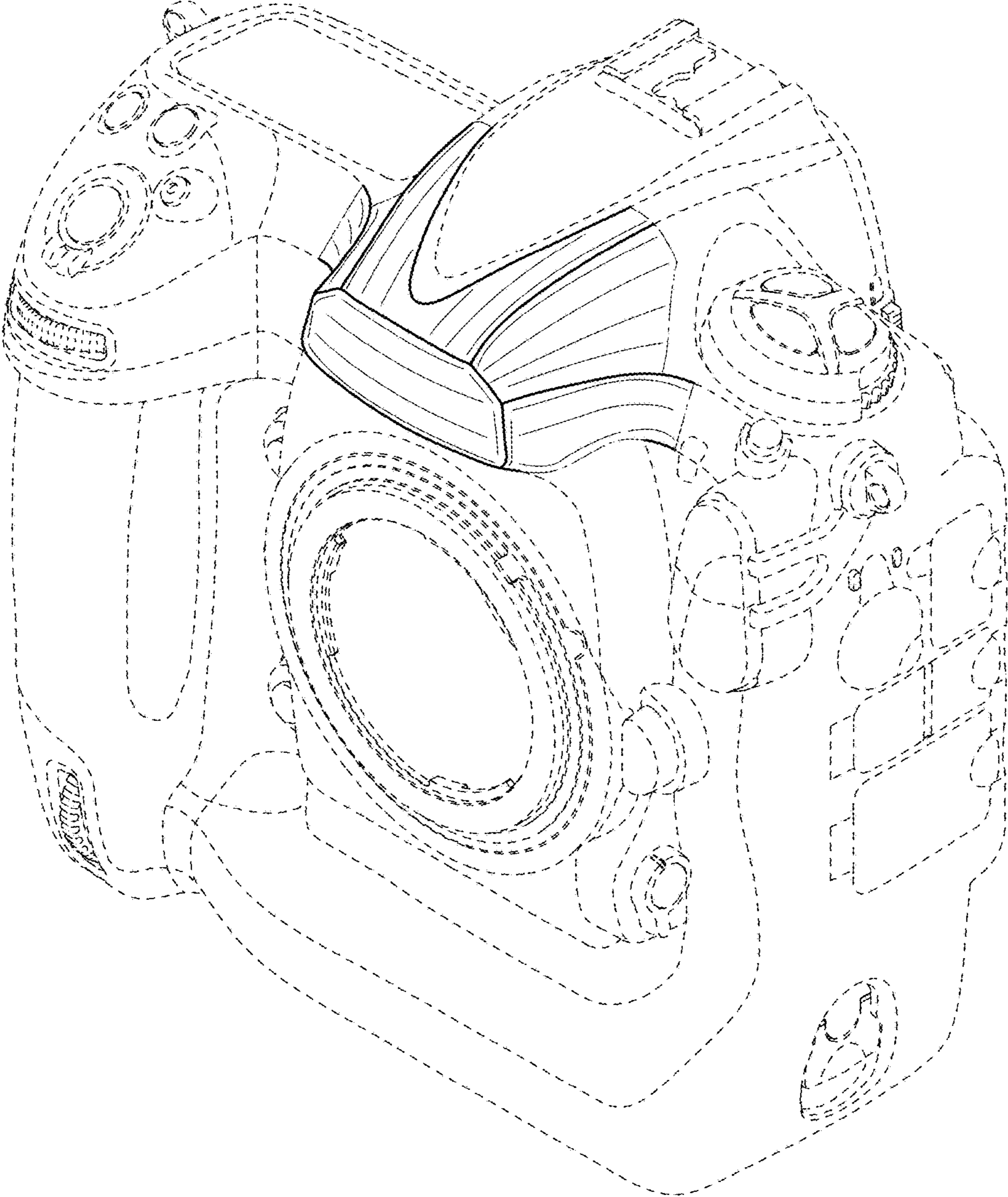
Web page of Nikon Corporation, News release dated Aug. 27, 2008 which introduces the launch of “Nikon D90”, a Nikon digital single-lens reflex camera, printed from the Internet on Feb. 18, 2016, pp. 1-6. [http://www.nikon.co.jp/news/2008/0827\\_d90\\_01.htm](http://www.nikon.co.jp/news/2008/0827_d90_01.htm).

Web page of Nikon Corporation, News release dated Jul. 30, 2009 which introduces the launch of “Nikon D300S”, a Nikon digital single-lens reflex camera, printed from the Internet on Feb. 19, 2016, pp. 1-4. [http://www.nikon.co.jp/news/2009/0730\\_d300s\\_02.htm](http://www.nikon.co.jp/news/2009/0730_d300s_02.htm).

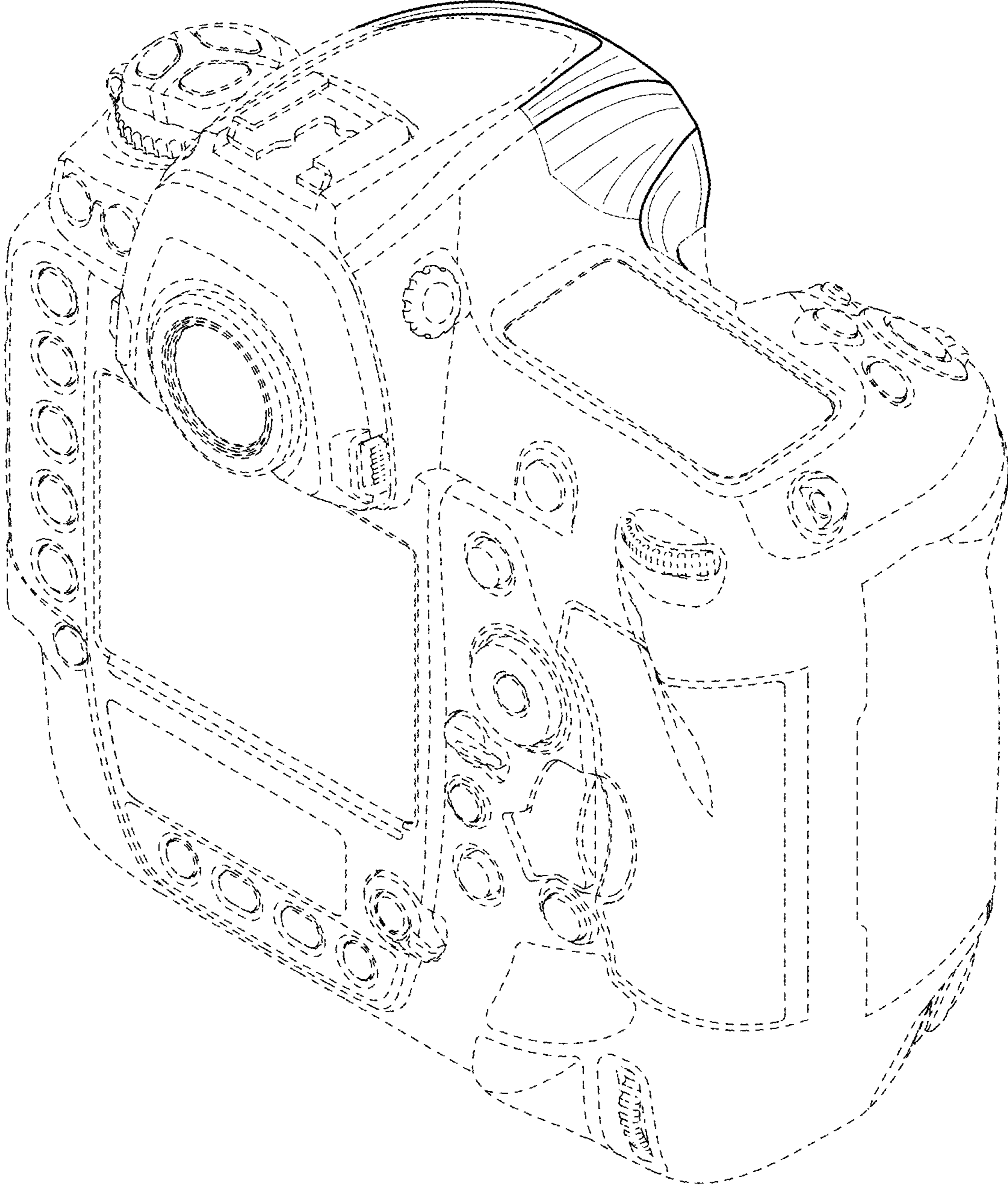
Web page of Panasonic Corporation, Press release dated Sep. 2, 2015 which introduces the launch of “Lumix DMC-FZ300”, a Panasonic digital camera, printed from the Internet on Feb. 19, 2016, pp. 1-4. <http://news.panasonic.com/press/news/data/2015/09/jn150902-2/jn150902-2.html>.

\* cited by examiner

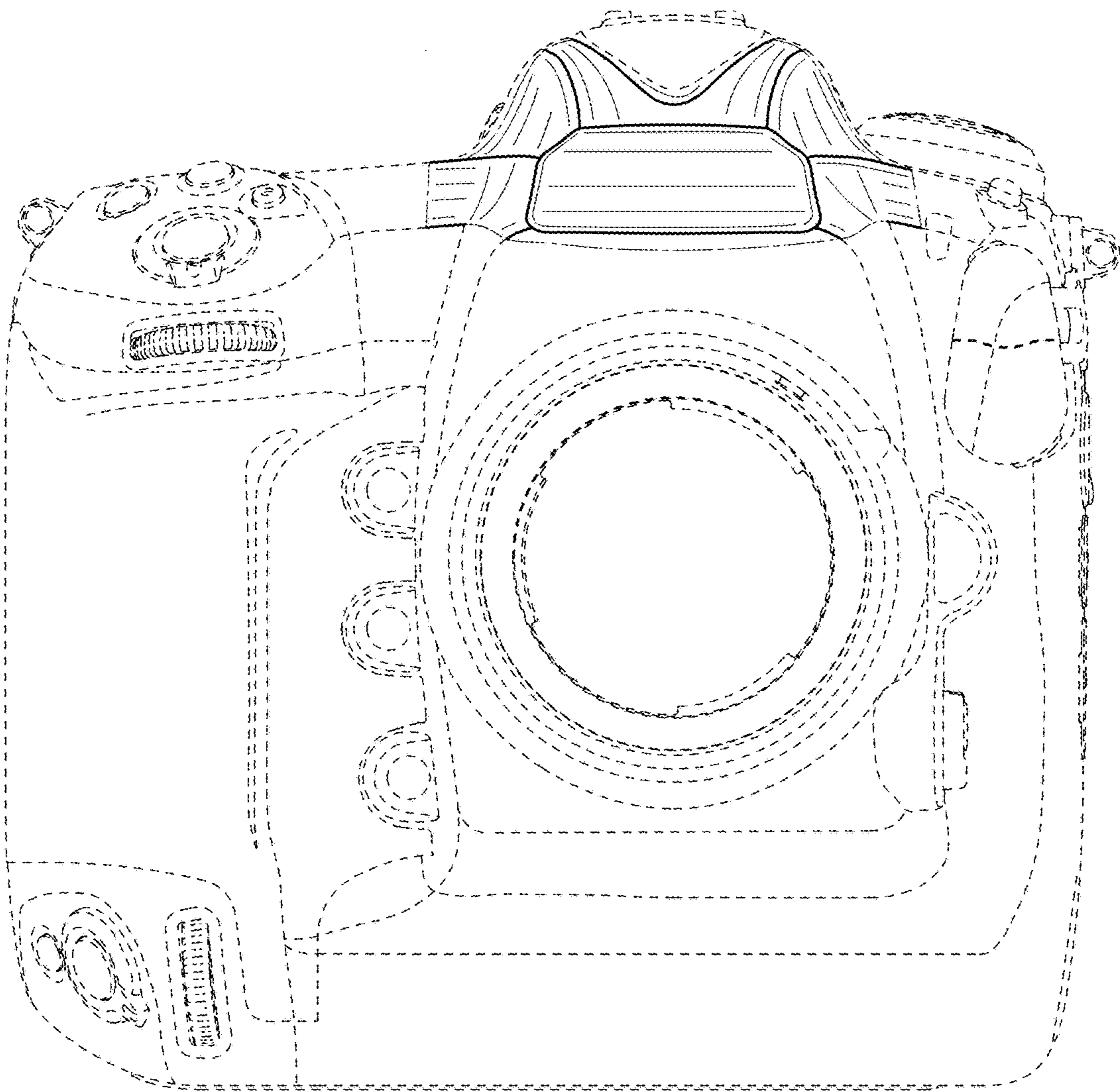
**FIG. 1**



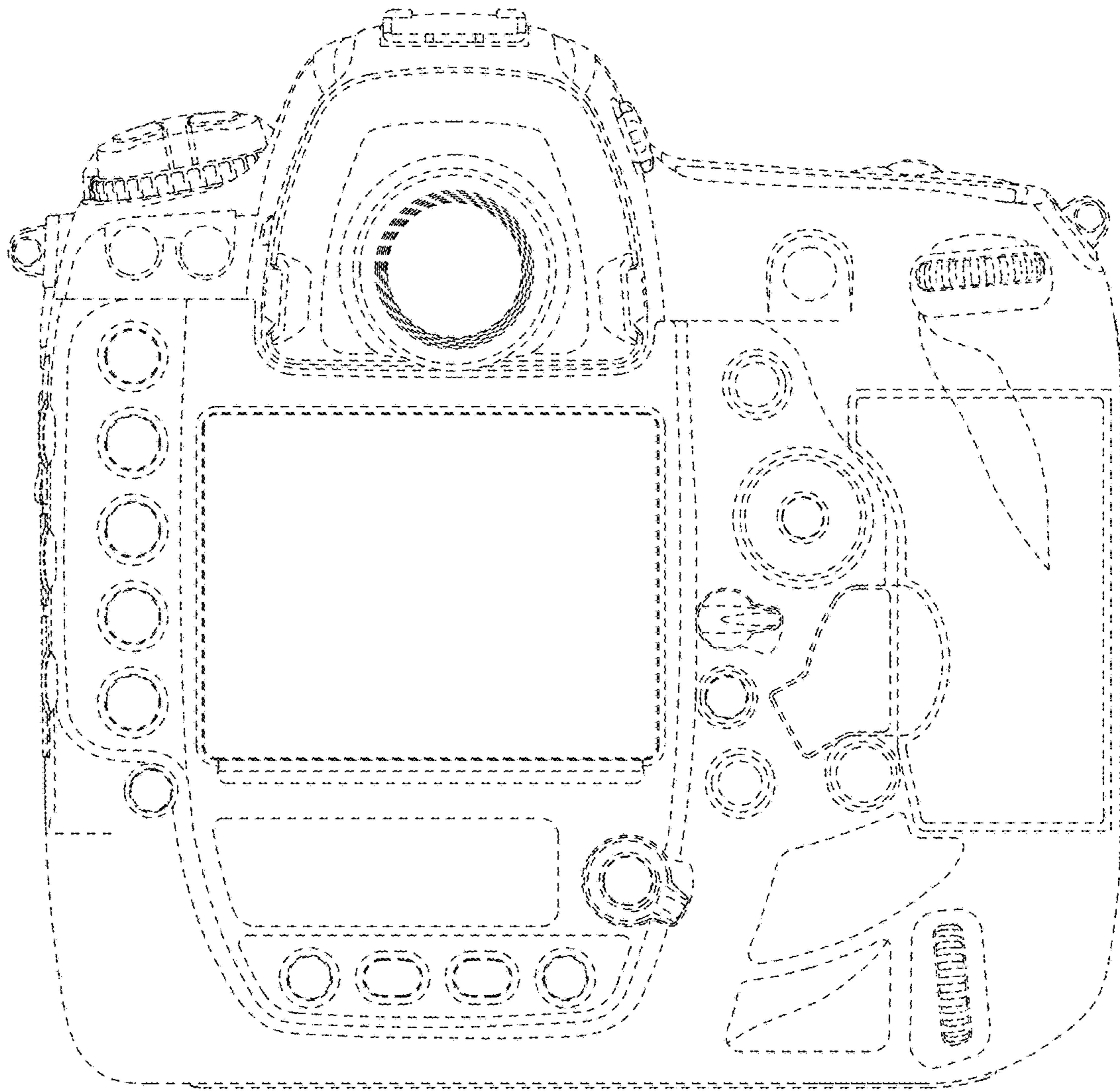
**FIG. 2**



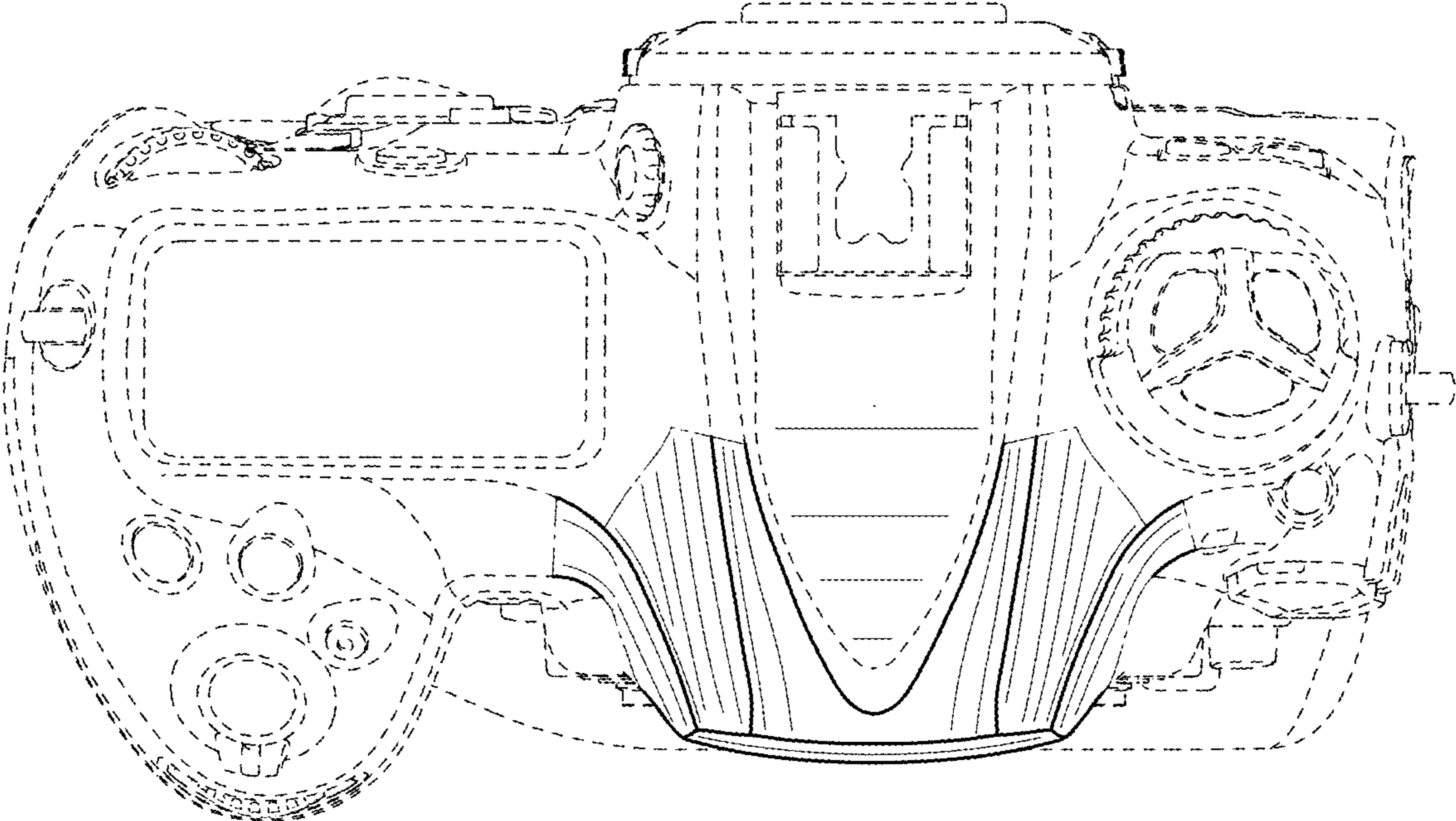
**FIG. 3**



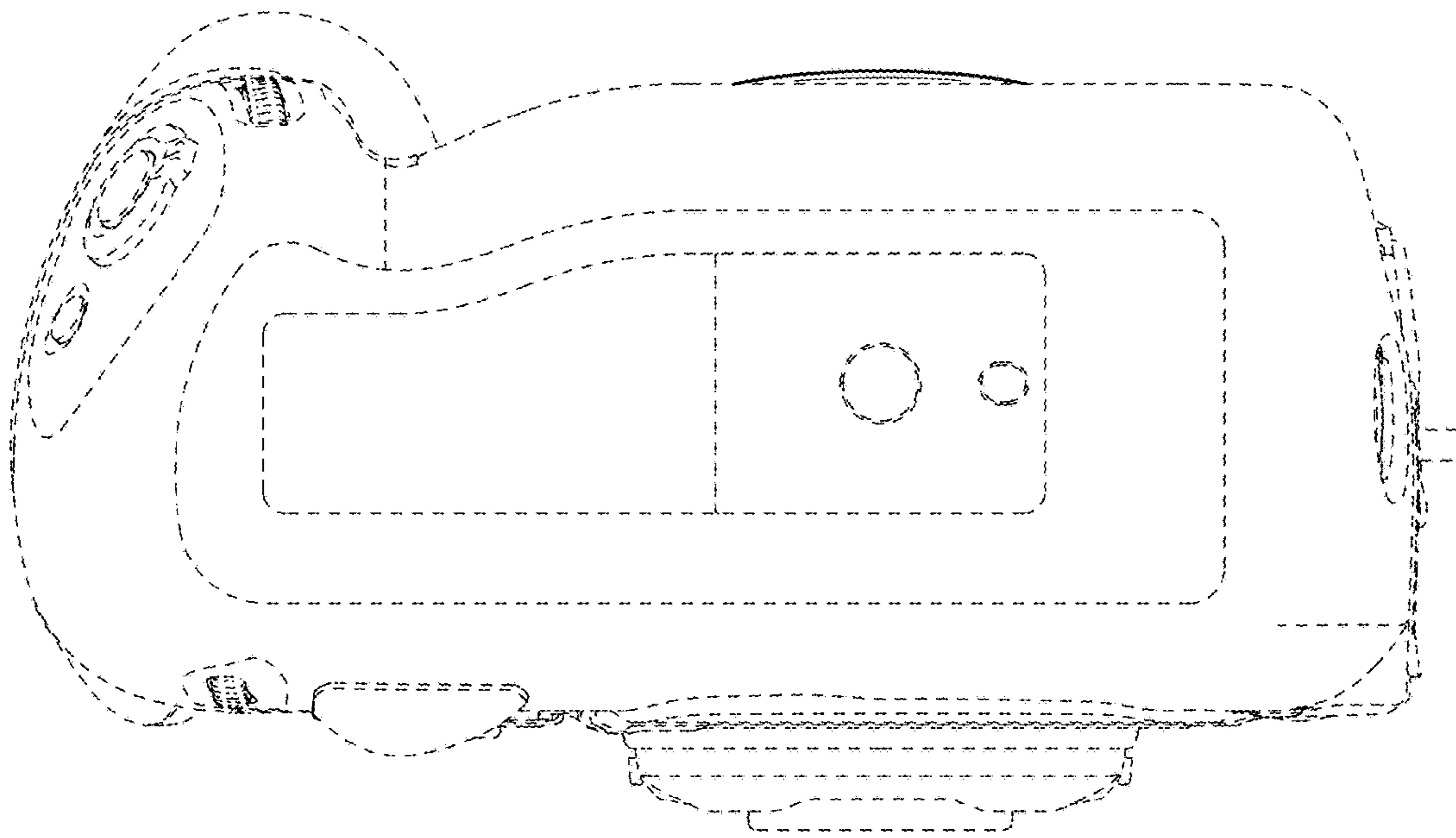
**FIG. 4**



**FIG. 5**

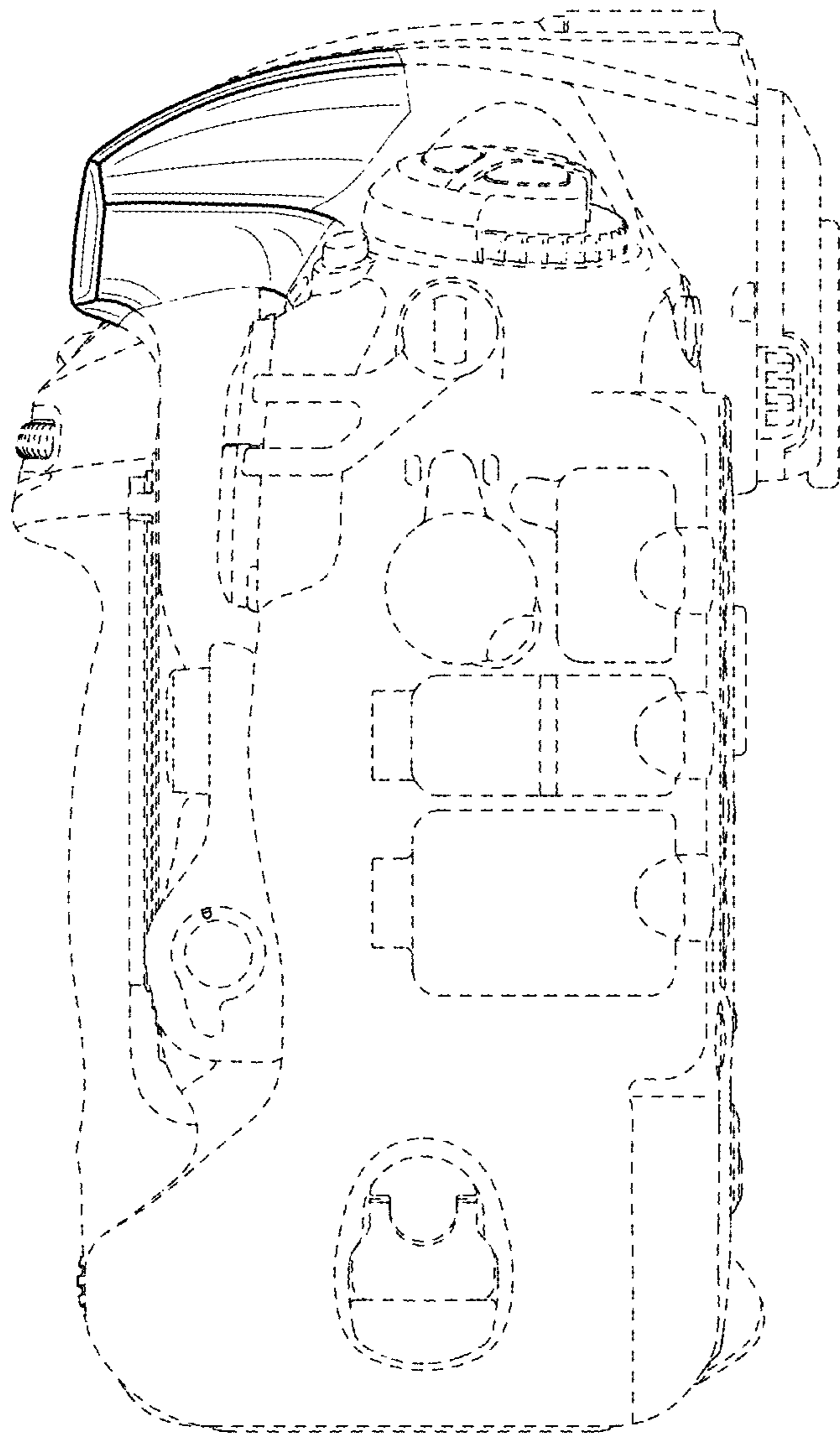


**FIG. 6**

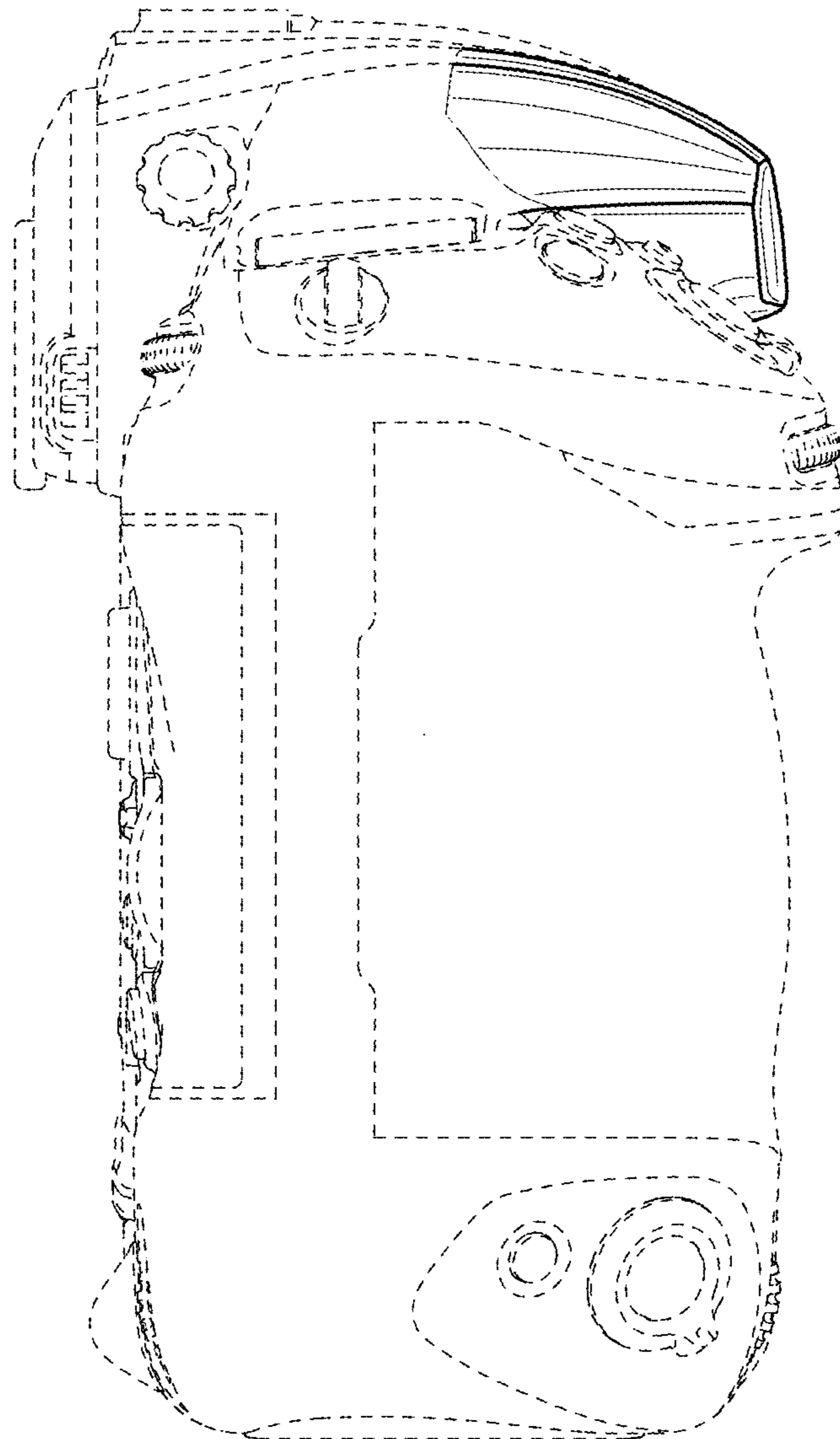




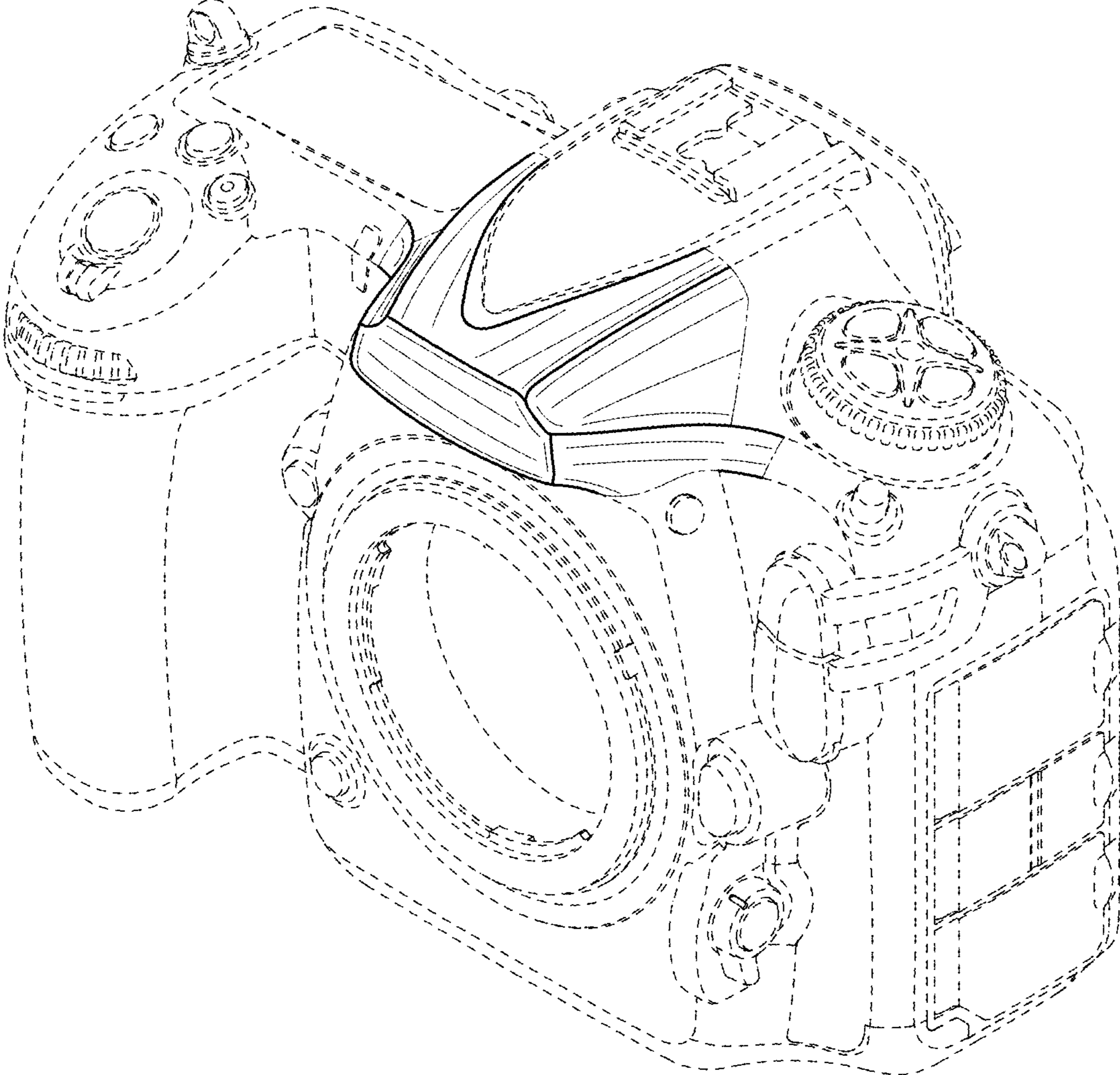
**FIG. 7**



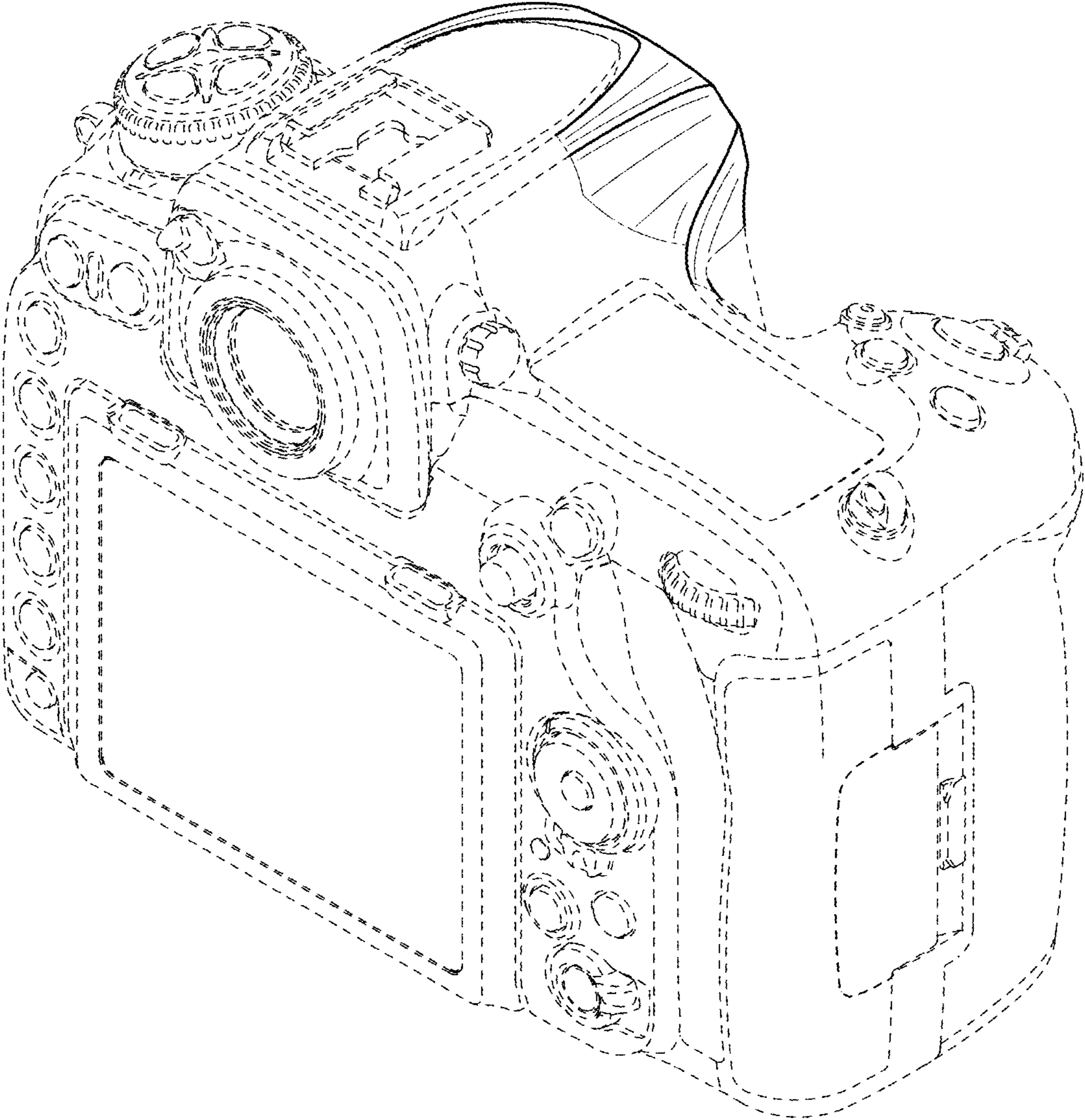
**FIG. 8**



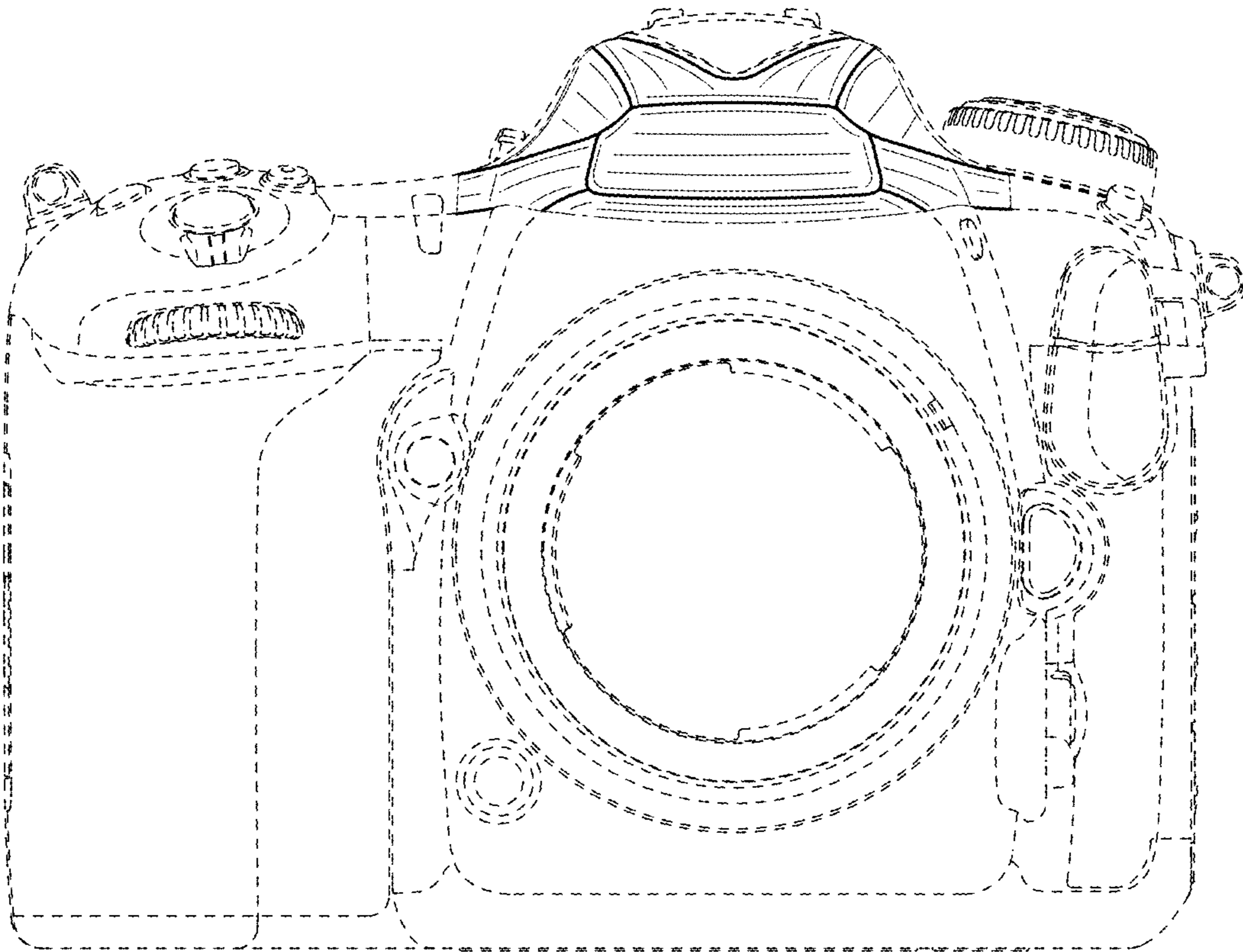
**FIG. 9**



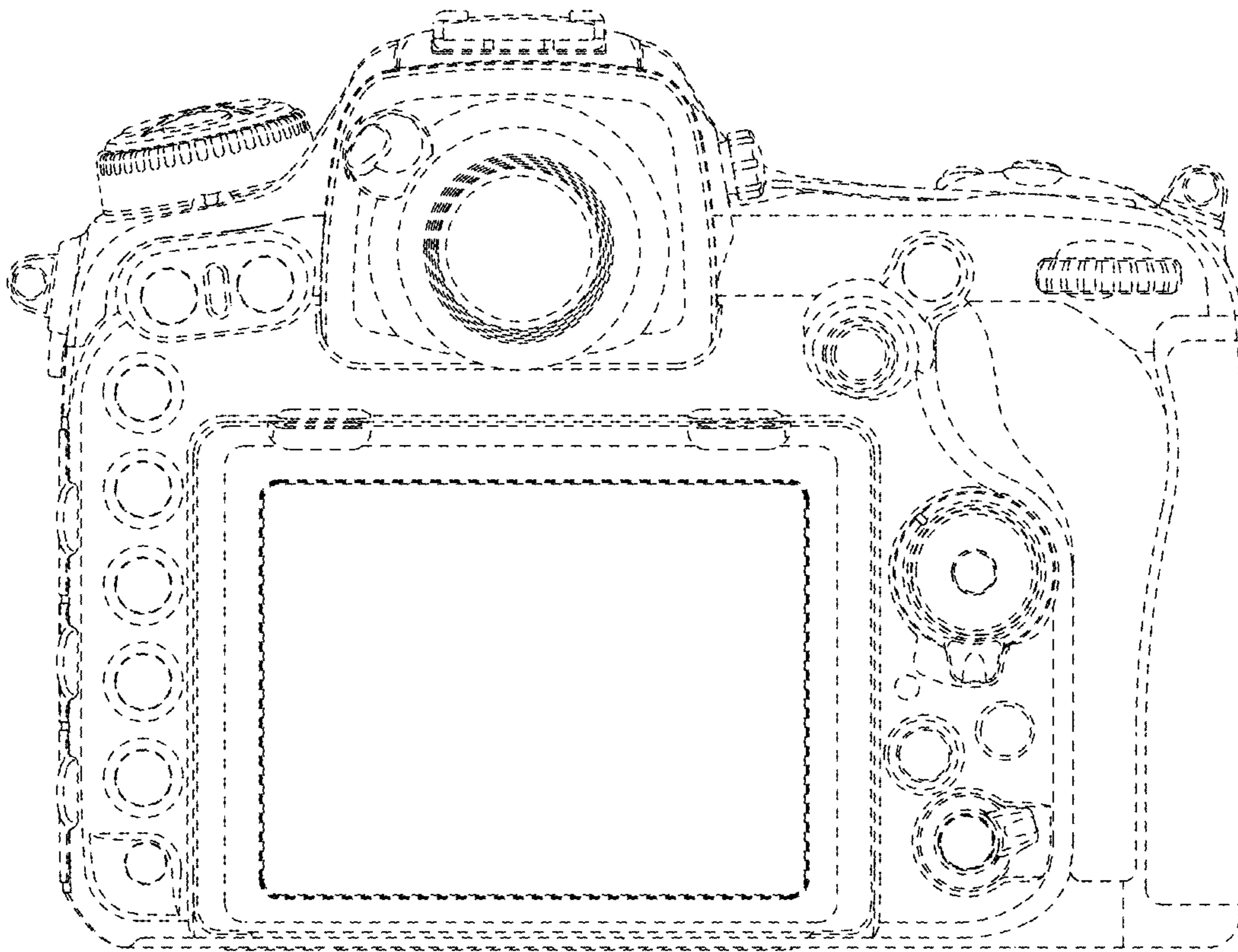
**FIG. 10**



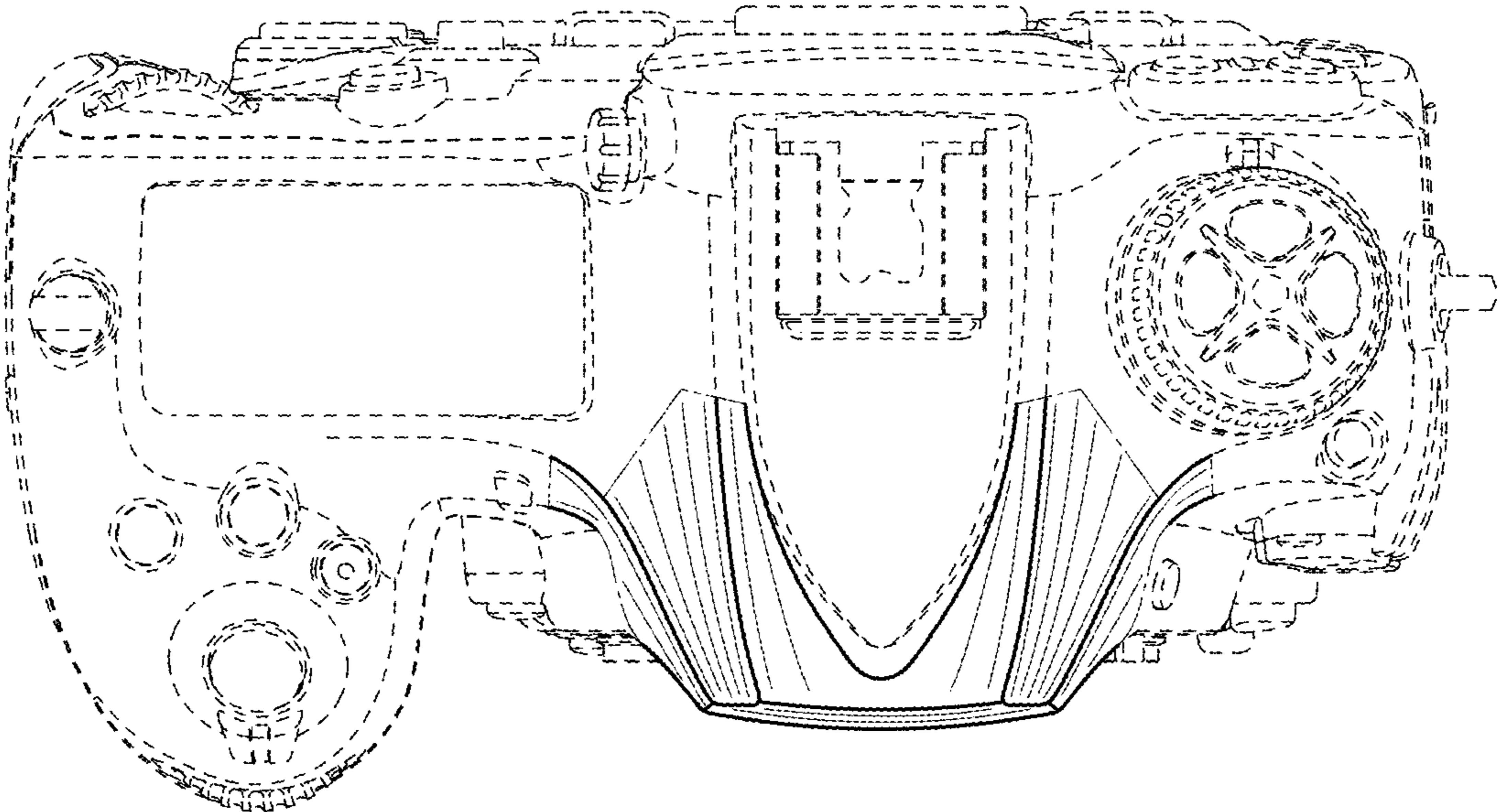
**FIG. 11**



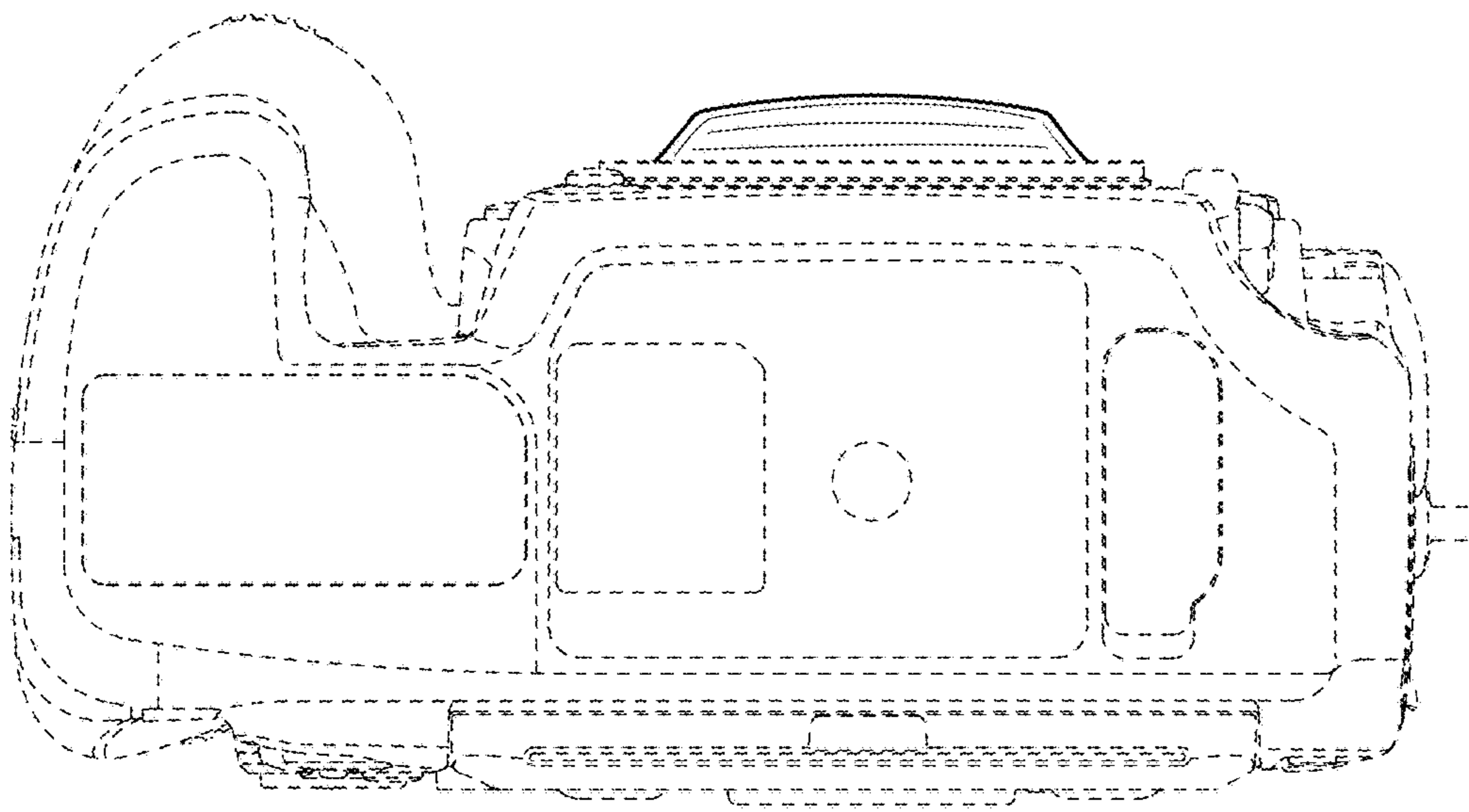
**FIG. 12**



**FIG. 13**

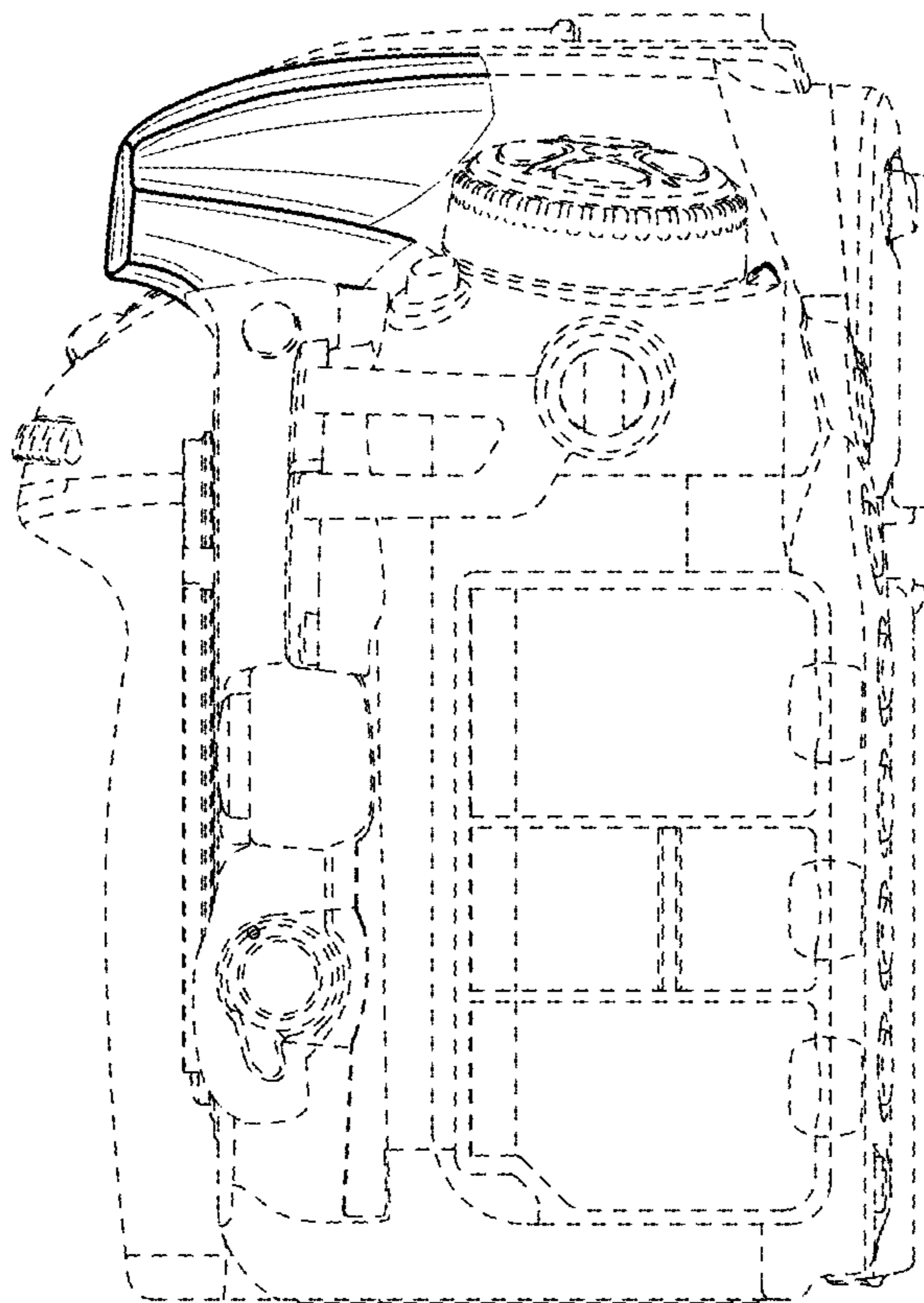


**FIG. 14**

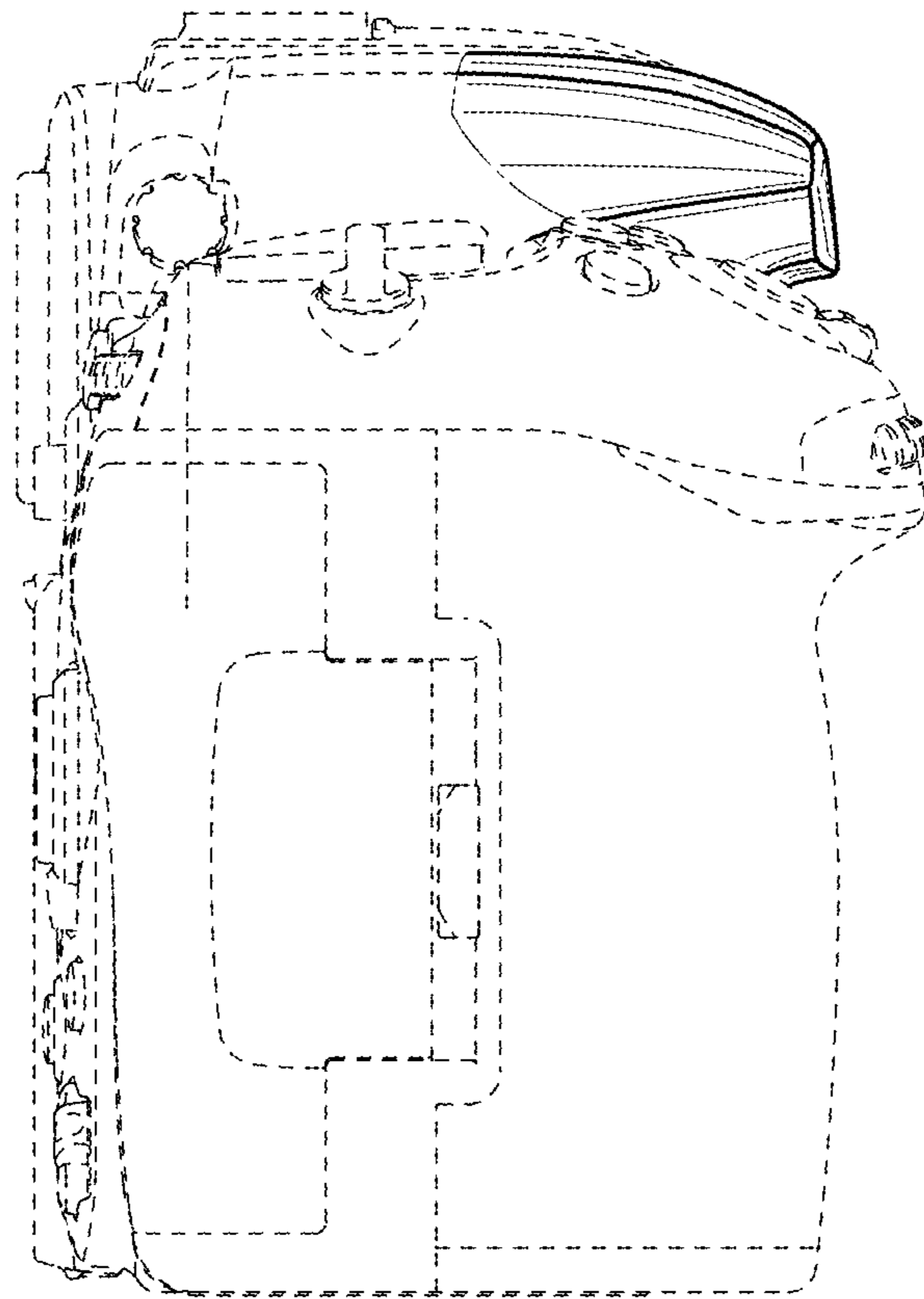




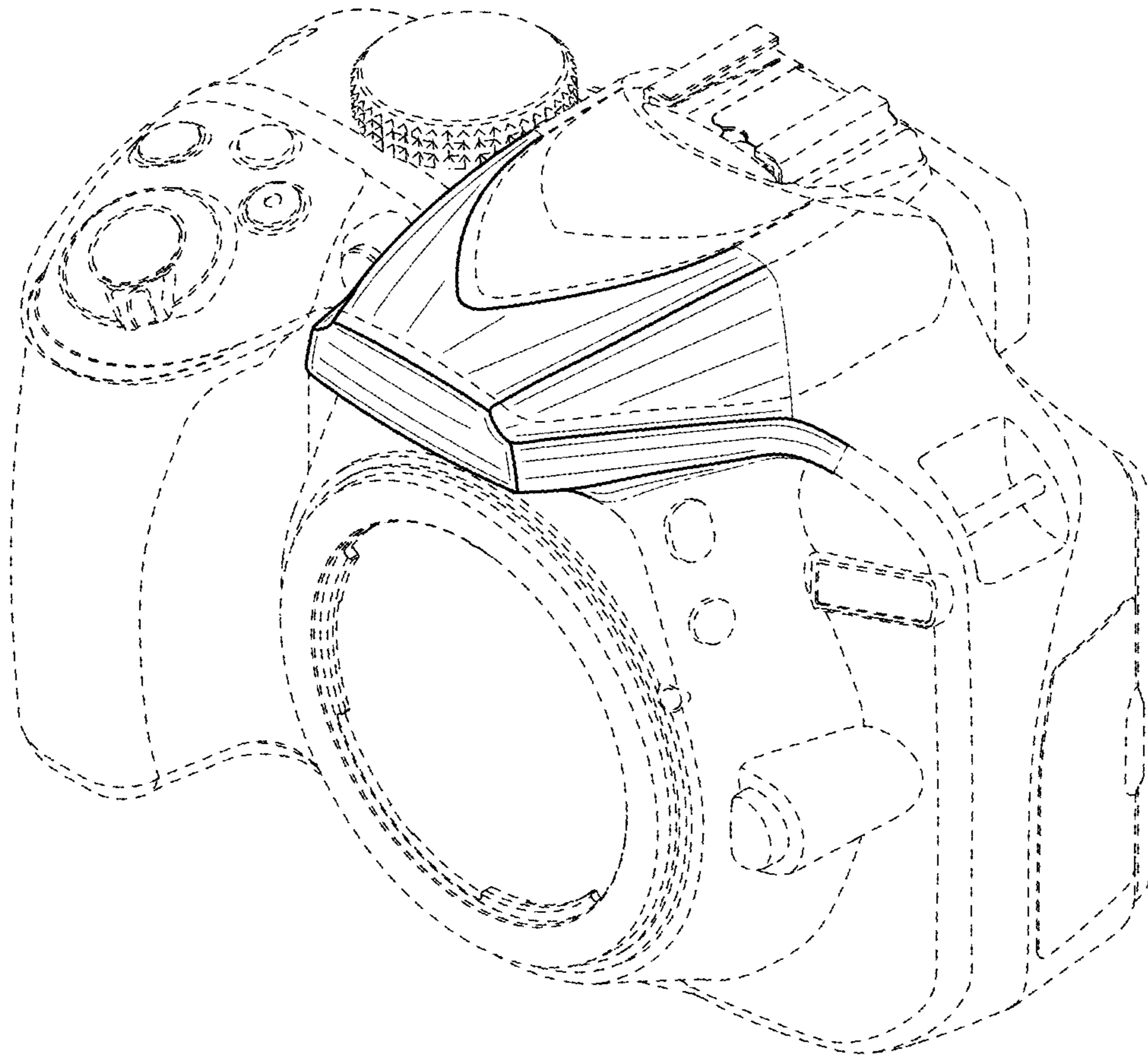
**FIG. 15**



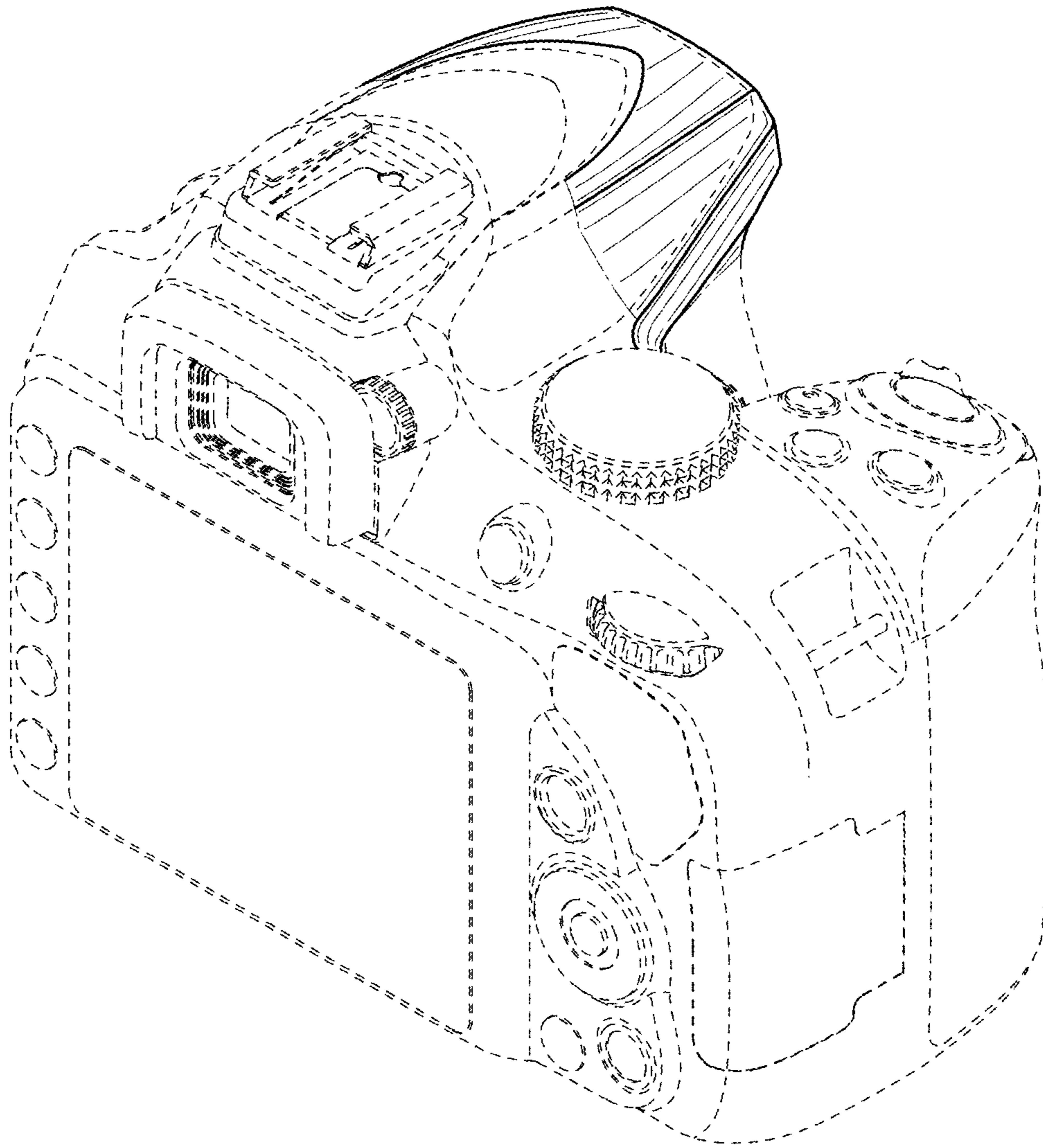
**FIG. 16**



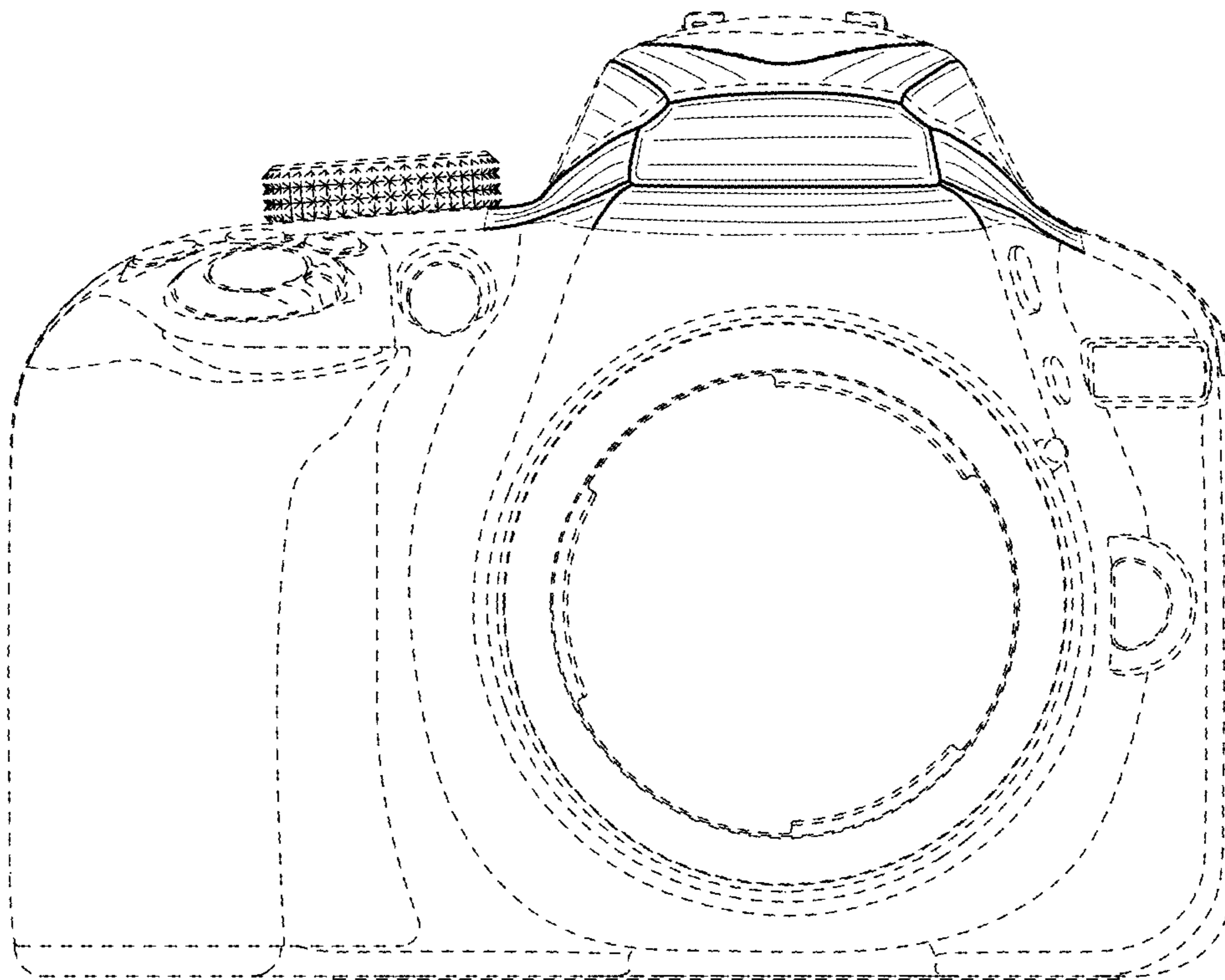
**FIG. 17**



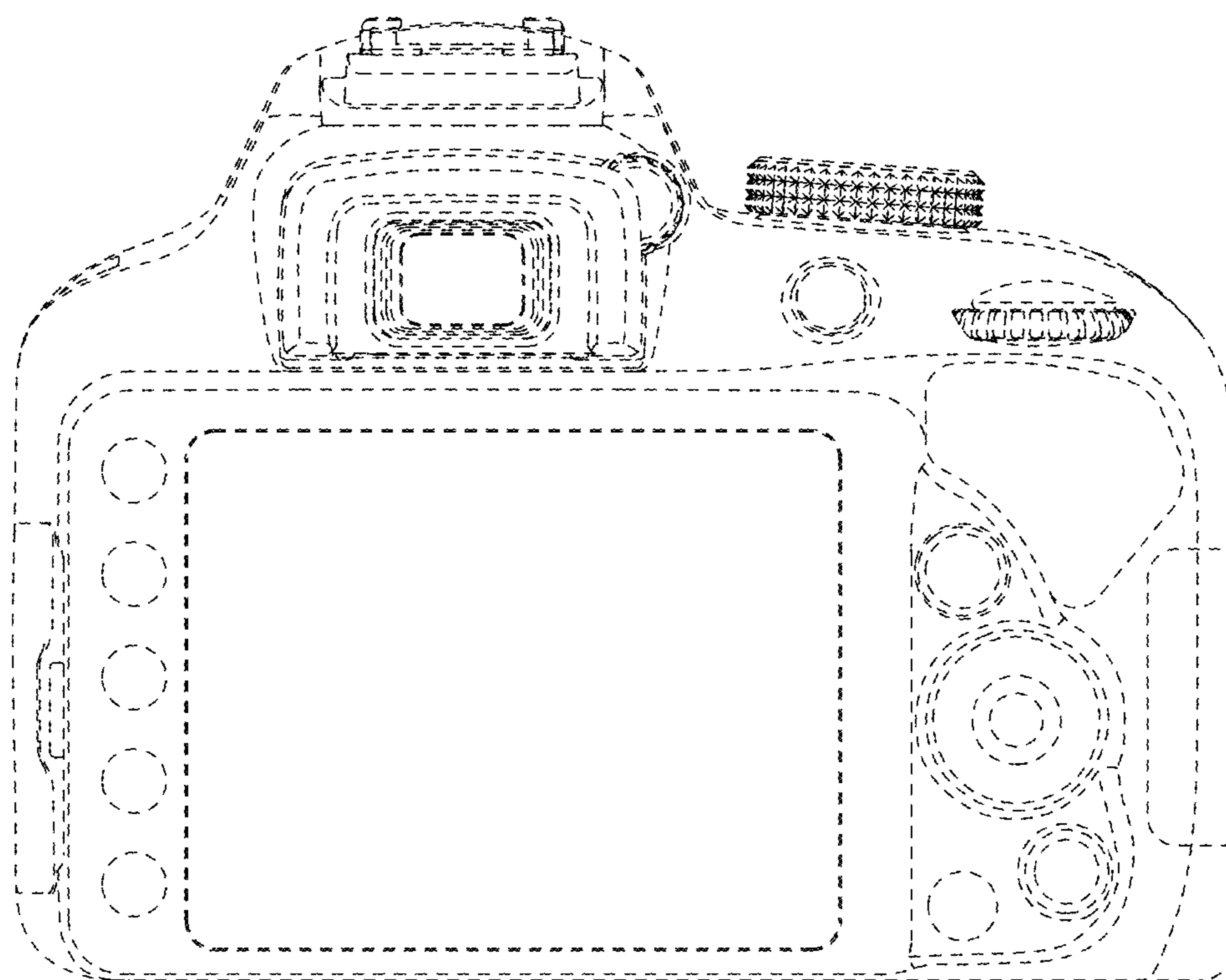
**FIG. 18**



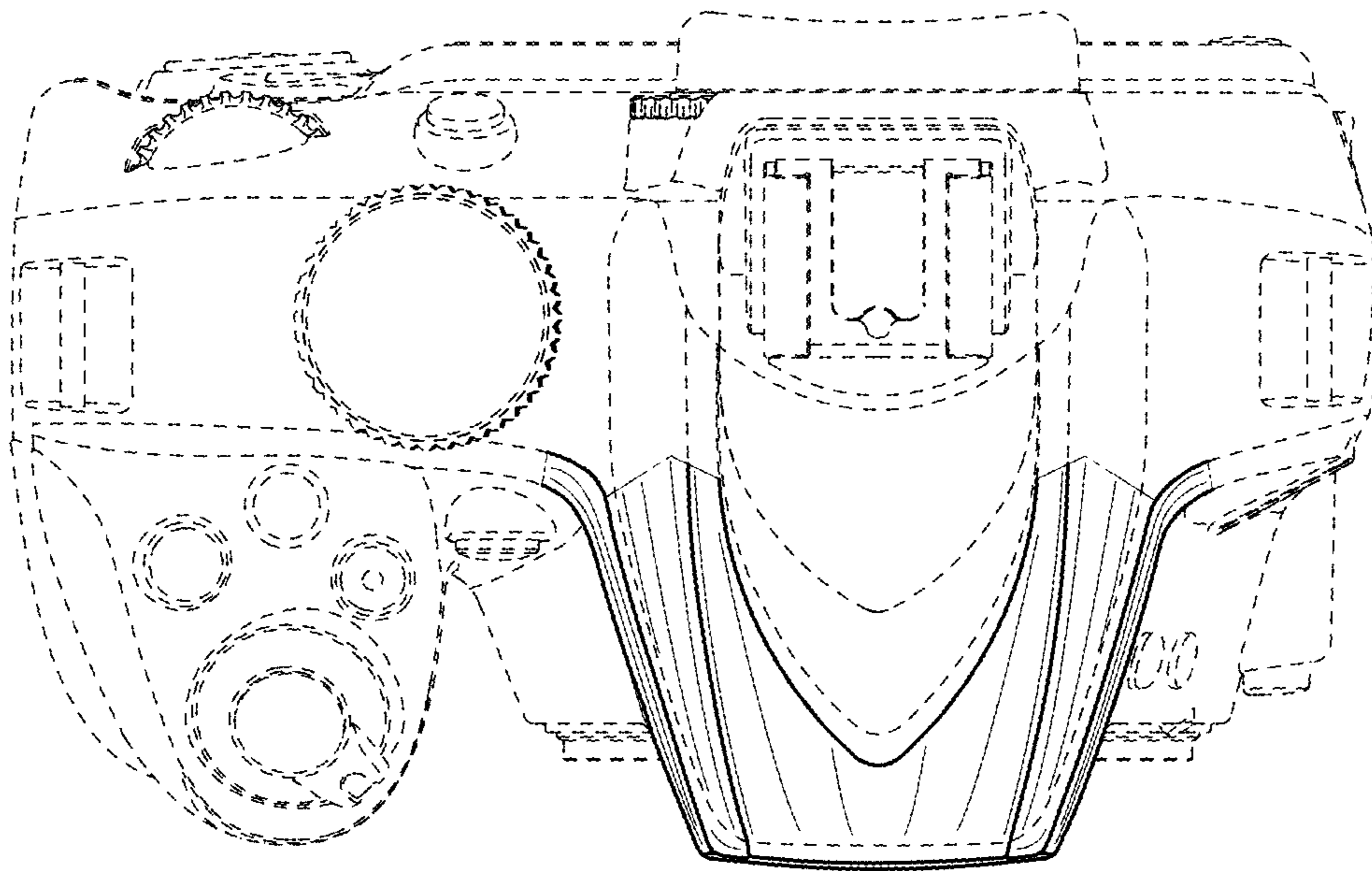
**FIG. 19**



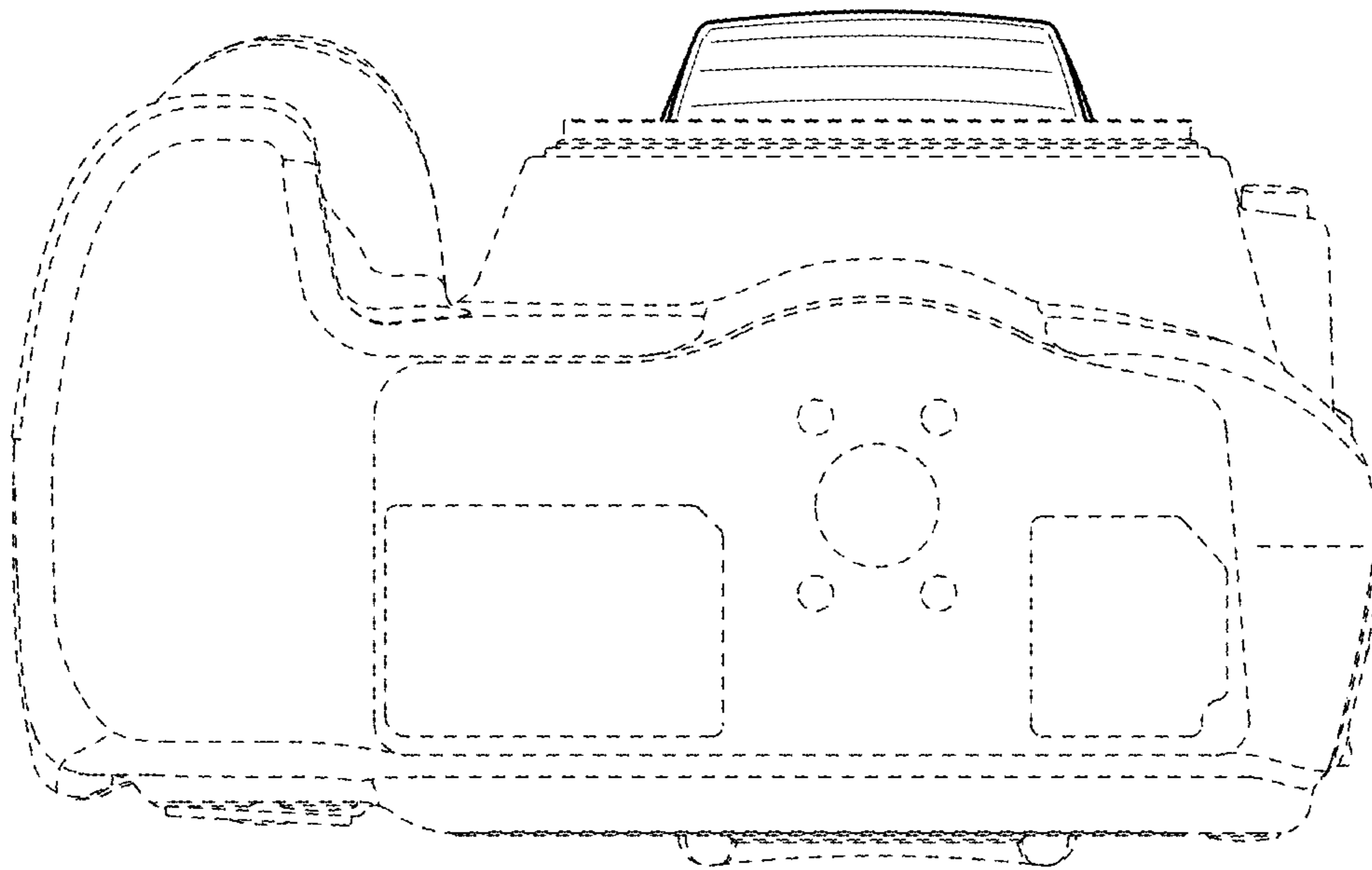
**FIG. 20**



**FIG. 21**

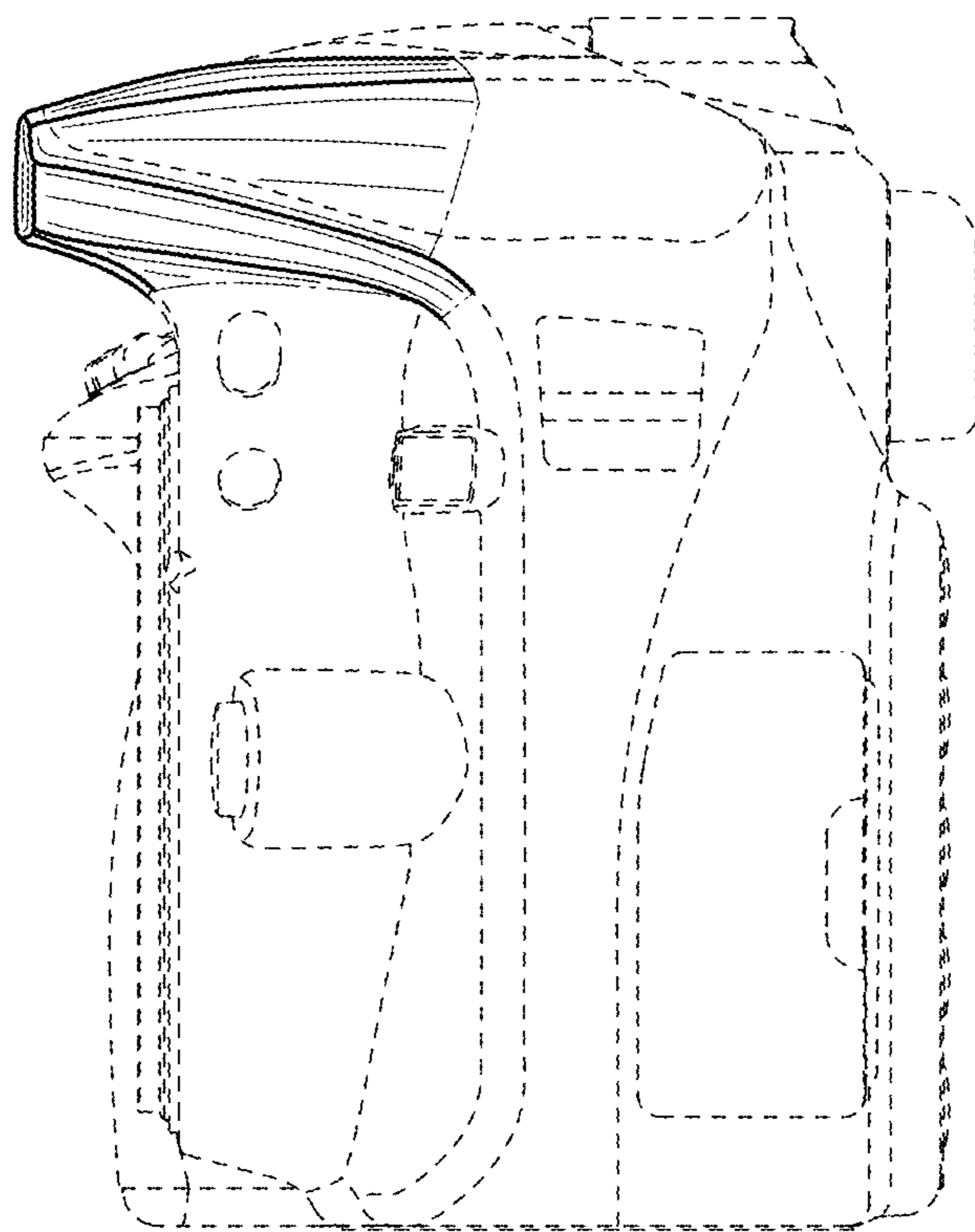


**FIG. 22**





**FIG. 23**



**FIG. 24**

