



US00D816145S

(12) **United States Design Patent**
Martin et al.

(10) **Patent No.:** **US D816,145 S**
(45) **Date of Patent:** **** Apr. 24, 2018**

(54) **PORTABLE VIDEO CAMERA**
(71) Applicant: **OCLO LIMITED**, East Grinstead (GB)
(72) Inventors: **Hugo Martin**, Oxfordshire (GB);
Robert William Moore, Theale (GB);
Firas Kittaneh, Tempe, AZ (US)
(73) Assignee: **OCLO LIMITED**, East Grinstead,
England (GB)

D441,000 S * 4/2001 Vanderwilt D16/202
D463,809 S * 10/2002 Lo D16/202
6,637,952 B2 * 10/2003 Arbuckle G03B 17/02
348/143
D484,164 S * 12/2003 Ogura D16/202
D523,457 S * 6/2006 Tan D16/202
D598,942 S * 8/2009 Yanai D16/202
D600,731 S * 9/2009 Lee D16/202
8,253,796 B2 * 8/2012 Renkis G08B 13/19656
348/115
D687,875 S * 8/2013 Sasaki D16/202
D694,797 S * 12/2013 Parker D16/202

(**) Term: **15 Years**

* cited by examiner

(21) Appl. No.: **29/610,917**
(22) Filed: **Jul. 17, 2017**
(51) **LOC (11) Cl.** **16-01**
(52) **U.S. Cl.**
USPC **D16/218**
(58) **Field of Classification Search**
USPC D16/200, 202-203, 208, 218, 219;
348/14.01-14.6, 143, 148, 151, 373-376;
396/419, 427, 428, 535, 539-541
CPC G03B 17/02; G03B 19/04; G03B 17/56;
G03B 17/04; G03B 15/03; H04N
2101/00; H04N 2007/145; H04N 7/141;
H04N 7/142; H04N 7/147; H04N 7/148;
H04N 7/15; H04N 7/152
See application file for complete search history.

Primary Examiner — Philip S Hyder
Assistant Examiner — Ramzi Almatrahi
(74) *Attorney, Agent, or Firm* — Weiss & Moy, P.C.;
Jeffrey D. Moy

(57) **CLAIM**

The ornamental design for a portable video camera, as shown and described.

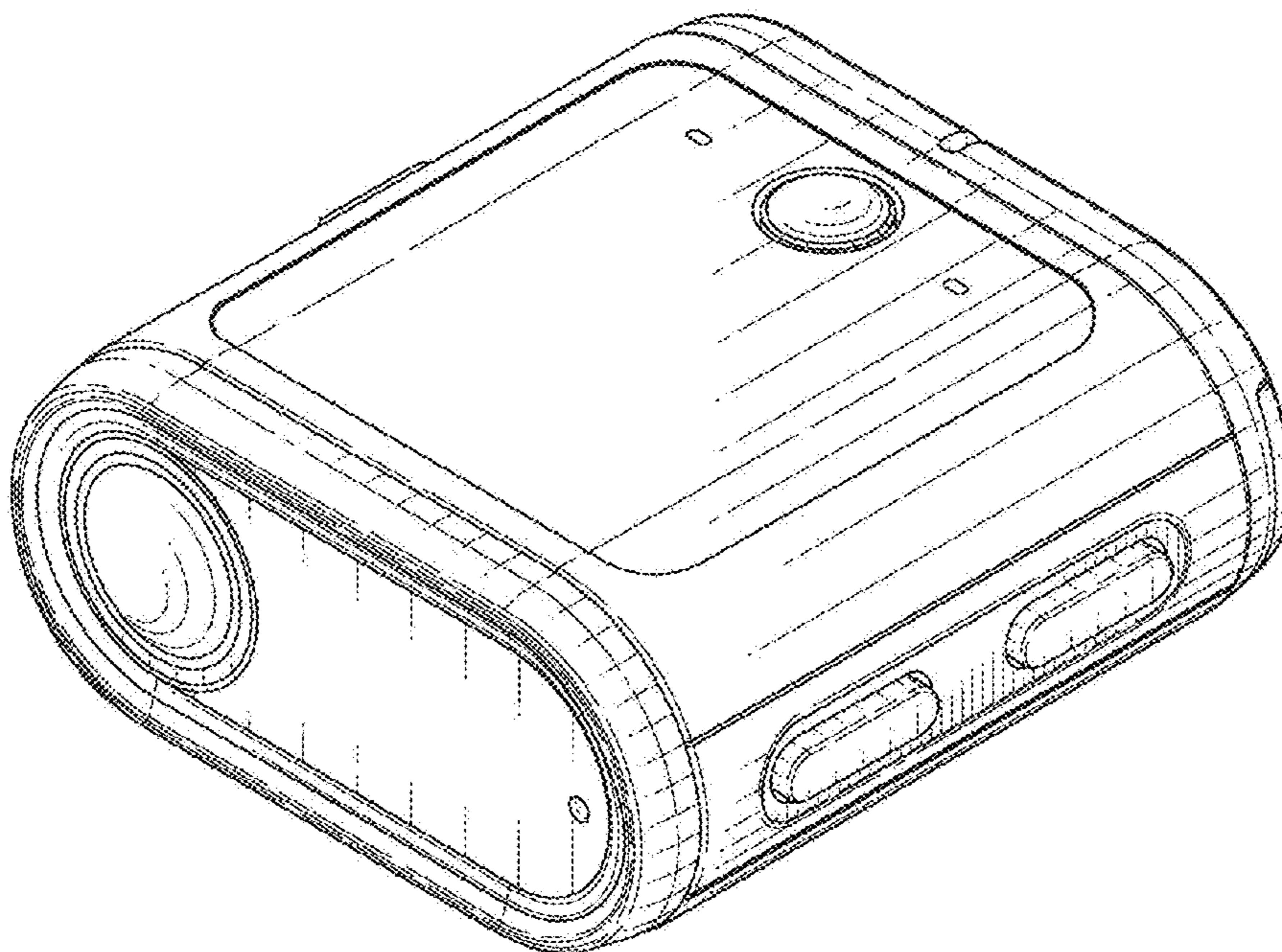
DESCRIPTION

FIG. 1 is a top, front and right side perspective view of a portable video camera showing our new design; FIG. 2 is a front view of the portable video camera; FIG. 3 is a rear view of the portable video camera; FIG. 4 is a left side view of the portable video camera; FIG. 5 is a right side view of the portable video camera; FIG. 6 is top view of the portable video camera; and, FIG. 7 is a bottom view of the portable video camera. The broken lines depict portions of the portable video camera in which the design is embodied that form no part of the claimed design.

(56) **References Cited**
U.S. PATENT DOCUMENTS

D410,663 S * 6/1999 Ogasawara D16/202
D421,618 S * 3/2000 Chen D16/200

1 Claim, 5 Drawing Sheets



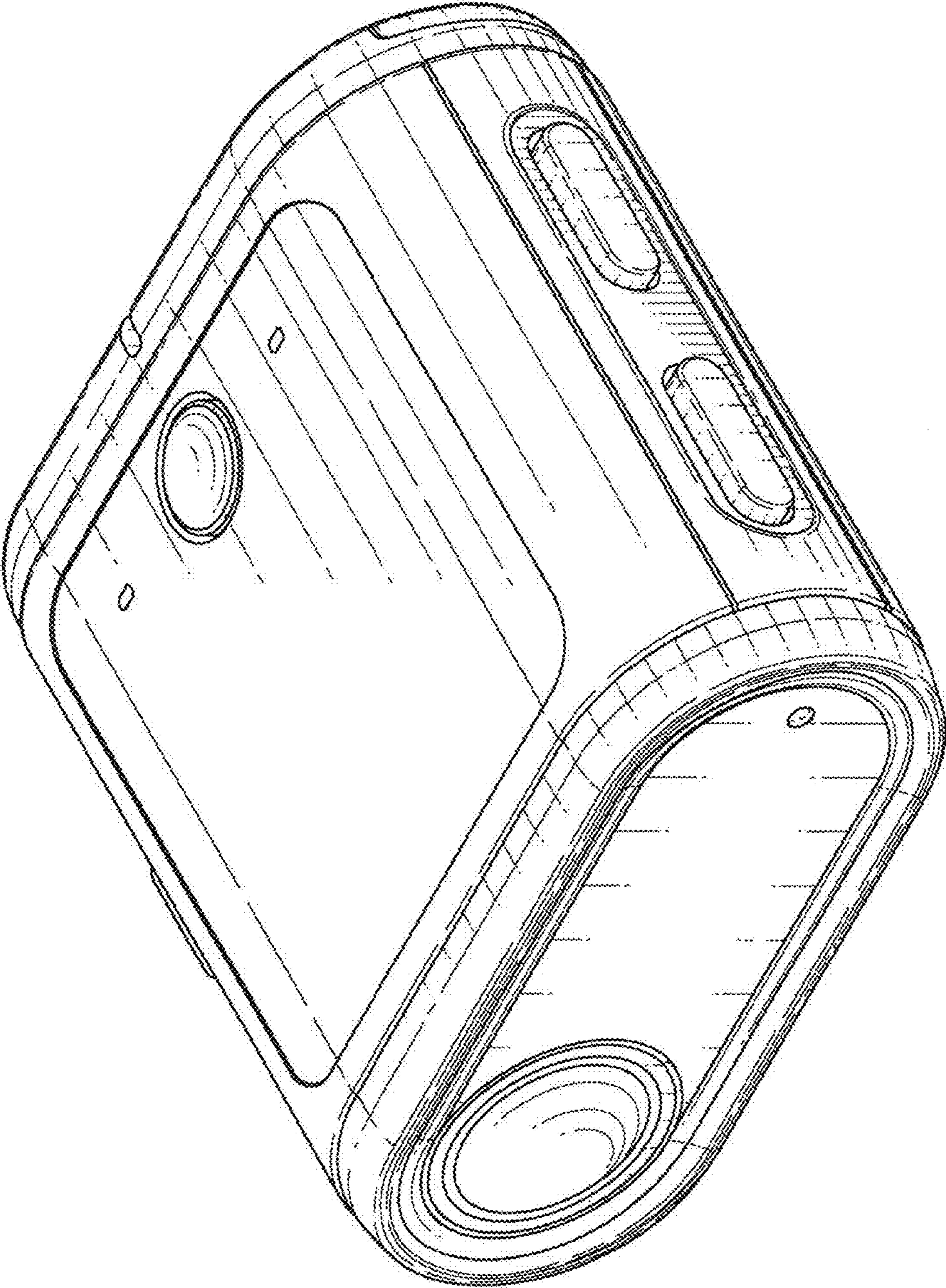


FIG. 1

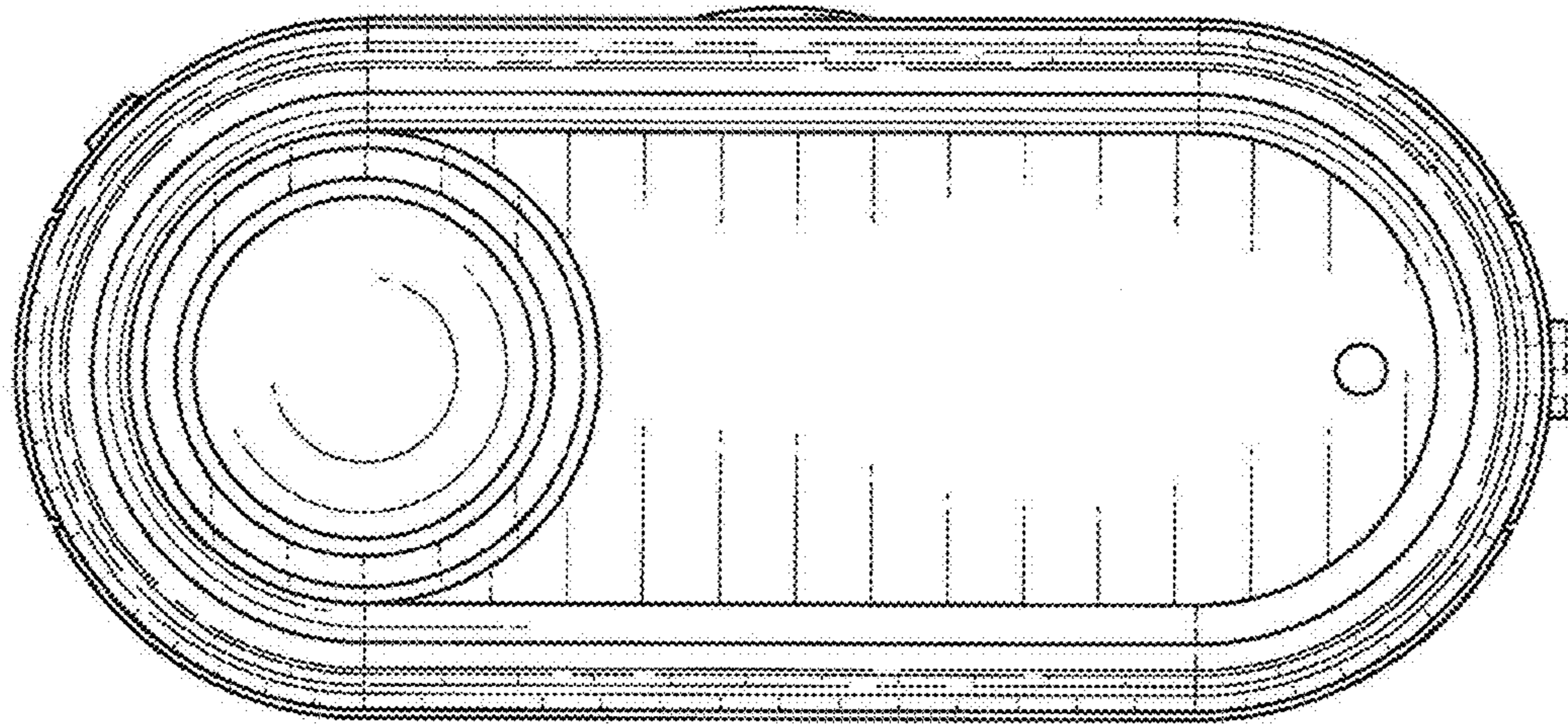


FIG. 2

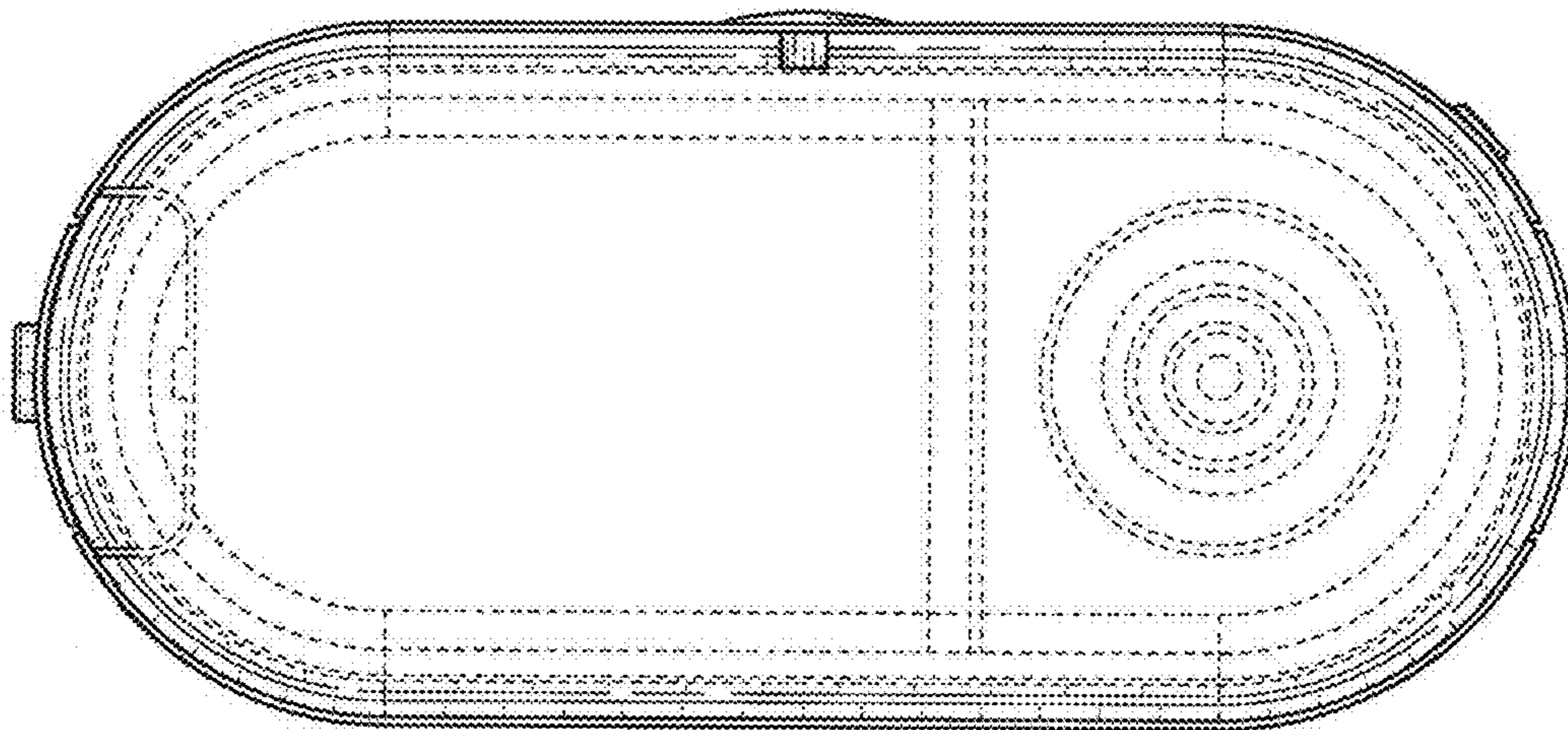


FIG. 3

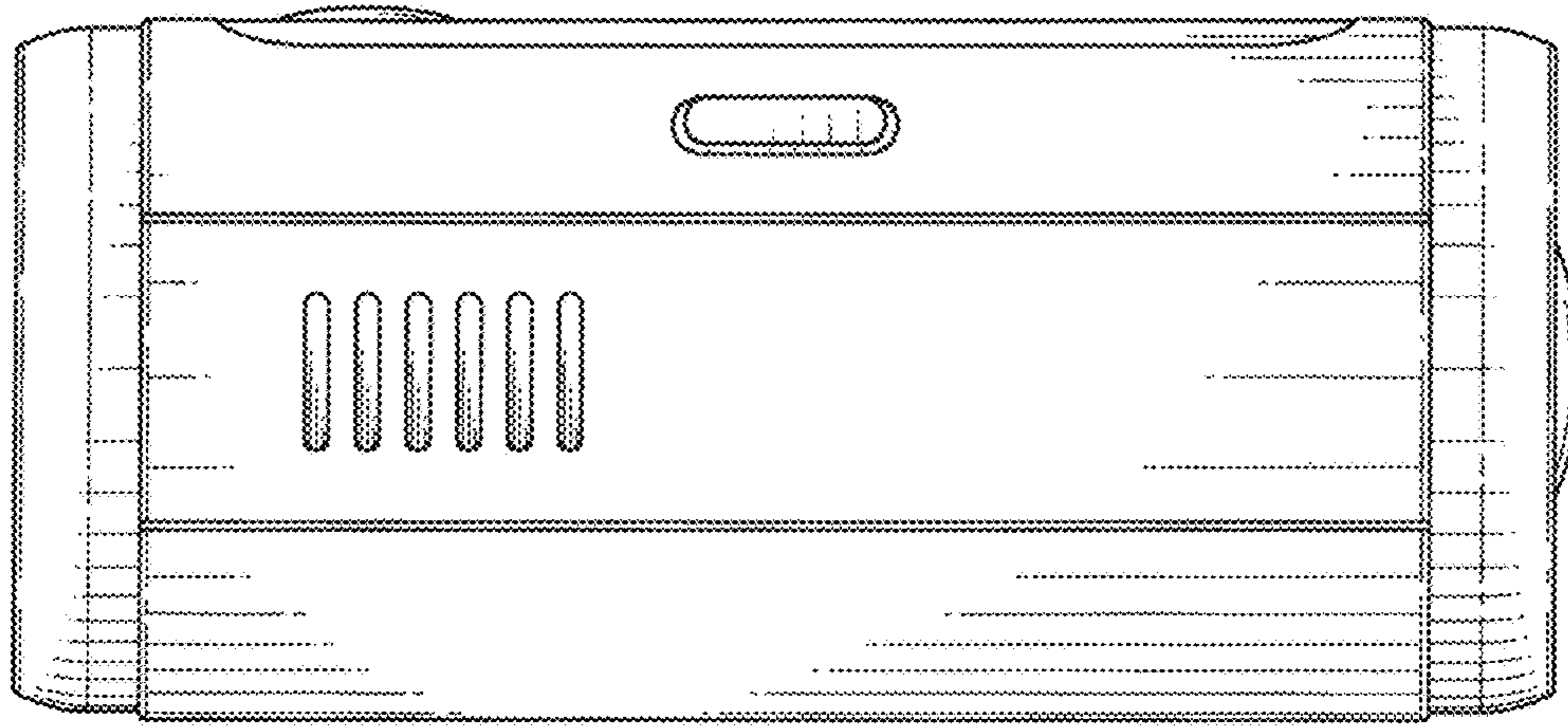


FIG. 4

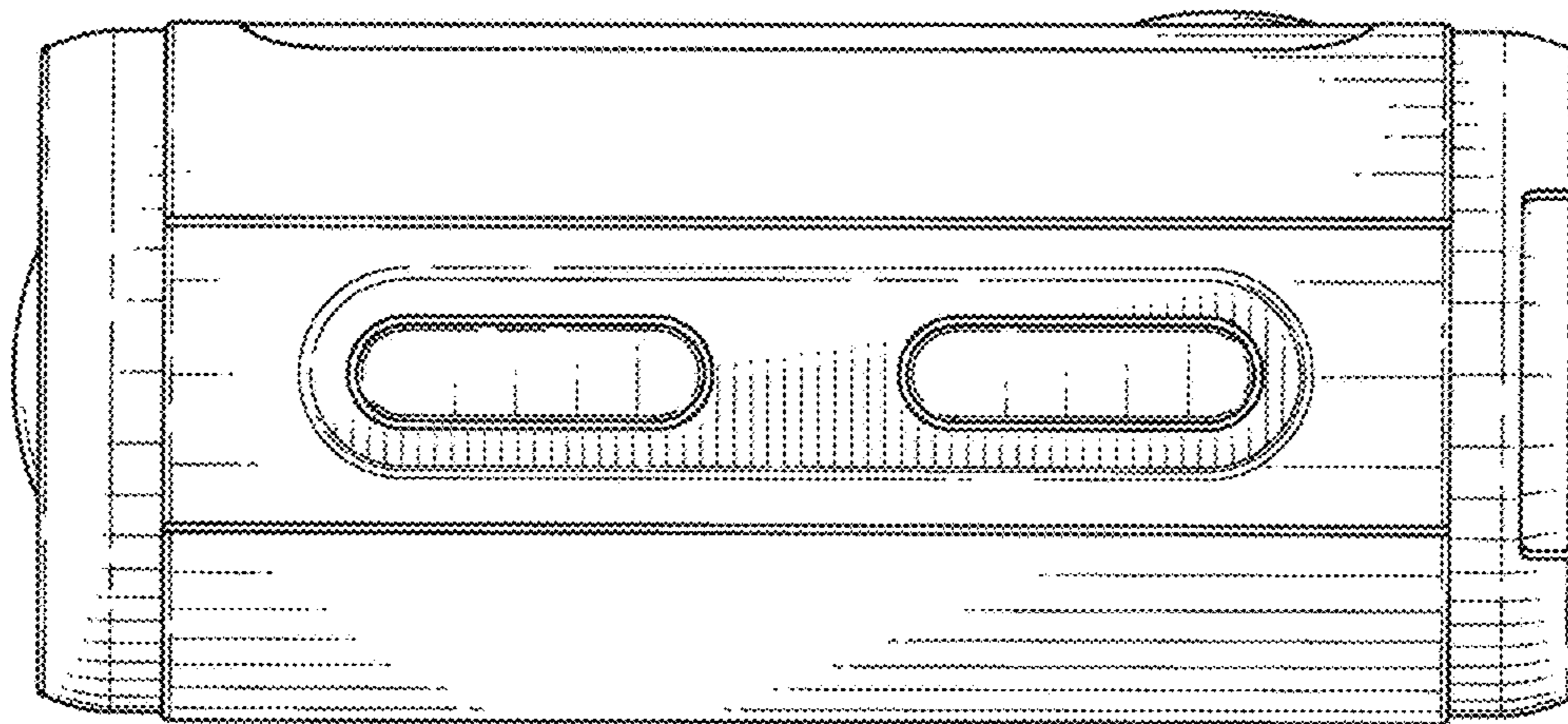


FIG. 5

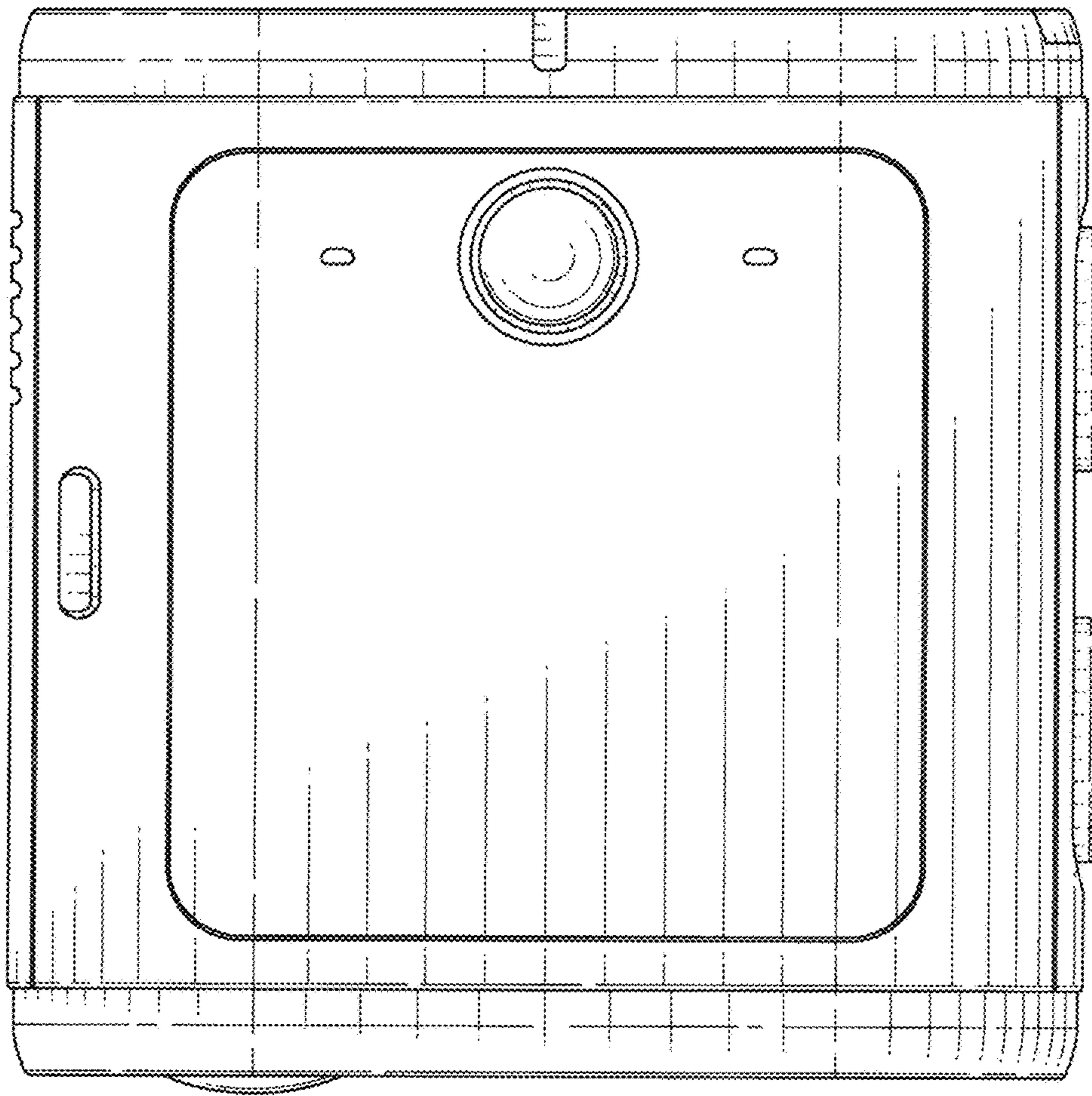


FIG. 6

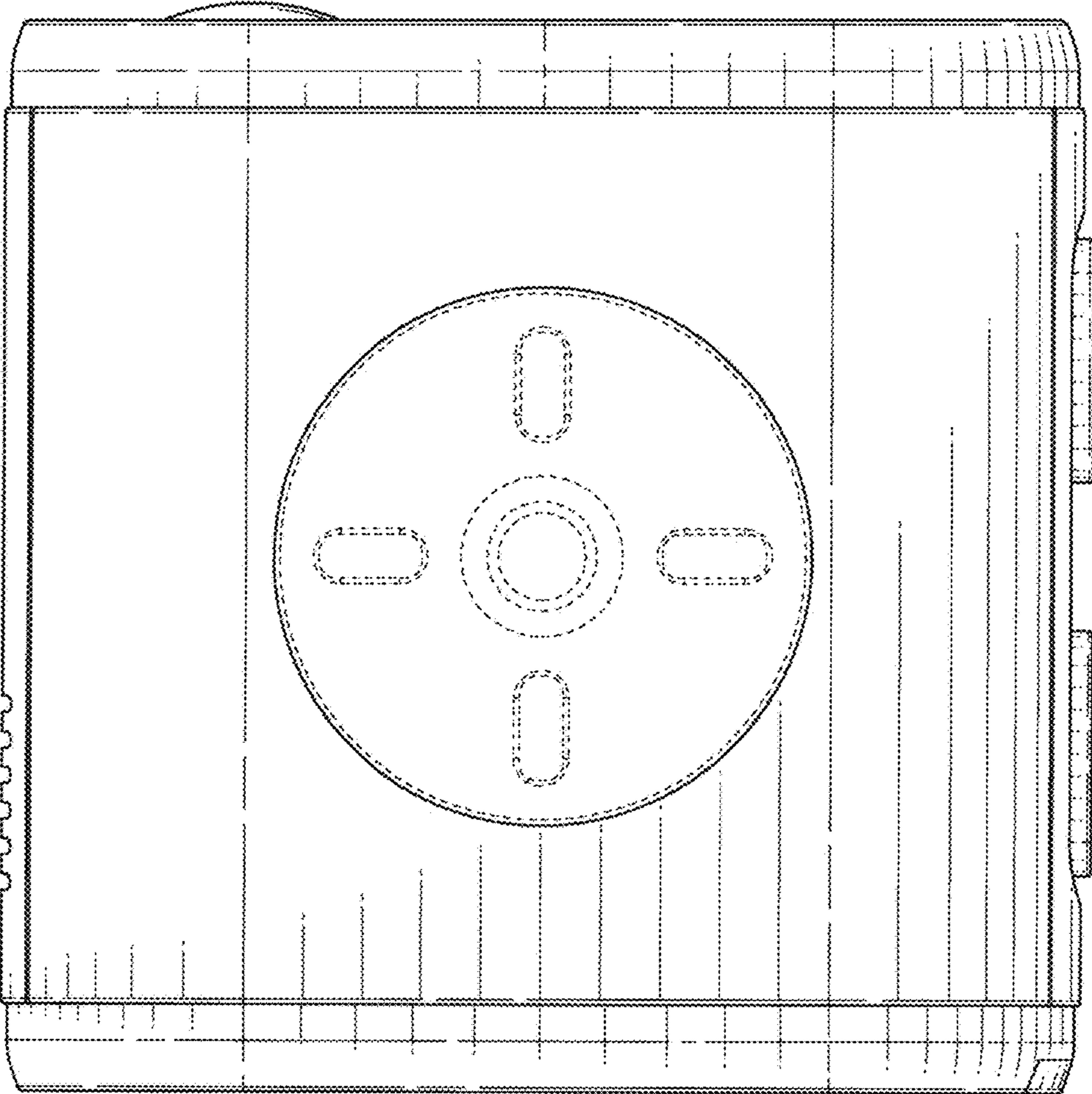


FIG. 7