



US00D816144S

(12) **United States Design Patent**
Vigren et al.

(10) **Patent No.:** **US D816,144 S**

(45) **Date of Patent:** **** Apr. 24, 2018**

(54) **MONITORING CAMERA**

(71) Applicant: **AXIS AB**, Lund (SE)

(72) Inventors: **Andres Vigren**, Hollviken (SE); **Louise Wiberg**, Malmo (SE); **Daniel Ahman**, Lomma (SE); **Mathias Walter**, Arlov (SE); **Mikael Adervall**, Klagshamn (SE); **Morten Bergstrom**, Bjarred (SE); **Rasmus Anderberg**, Malmo (SE); **Mats-Ake Ekbladh**, Bjarred (SE)

(73) Assignee: **AXIS AB**, Lund (SE)

(**) Term: **15 Years**

(21) Appl. No.: **29/603,494**

(22) Filed: **May 10, 2017**

Related U.S. Application Data

(62) Division of application No. 29/567,208, filed on Jun. 7, 2016.

Foreign Application Priority Data

Dec. 10, 2015 (EM) 002904540-0001
Dec. 10, 2015 (EM) 002904540-0002
Dec. 10, 2015 (EM) 002904540-0003
Dec. 10, 2015 (EM) 002904540-0004

(51) **LOC (11) Cl.** **16-01**

(52) **U.S. Cl.**
USPC **D16/203**

(58) **Field of Classification Search**
USPC D14/130, 144, 132; D16/200–220, 242,
D16/238; D26/24, 36, 72, 79, 123;
D10/104.1, 104.2, 106.1, 106.2, 106.5;
D9/548, 560, 572, 574, 430, 431;
D29/109–110

(Continued)

(56) **References Cited**

U.S. PATENT DOCUMENTS

D177,313 S * 4/1956 Davis D10/50
D368,041 S 3/1996 Skog

(Continued)

FOREIGN PATENT DOCUMENTS

CN 303083048 * 1/2015
CN 303842632 * 9/2016

(Continued)

OTHER PUBLICATIONS

AXIS Communications, AXIS M10 Network Camera Series, 4 pages, Jan. 2014/.

(Continued)

Primary Examiner — Barbara Fox

Assistant Examiner — Mary C Ramirez

(74) *Attorney, Agent, or Firm* — Volpe and Koenig, P.C.

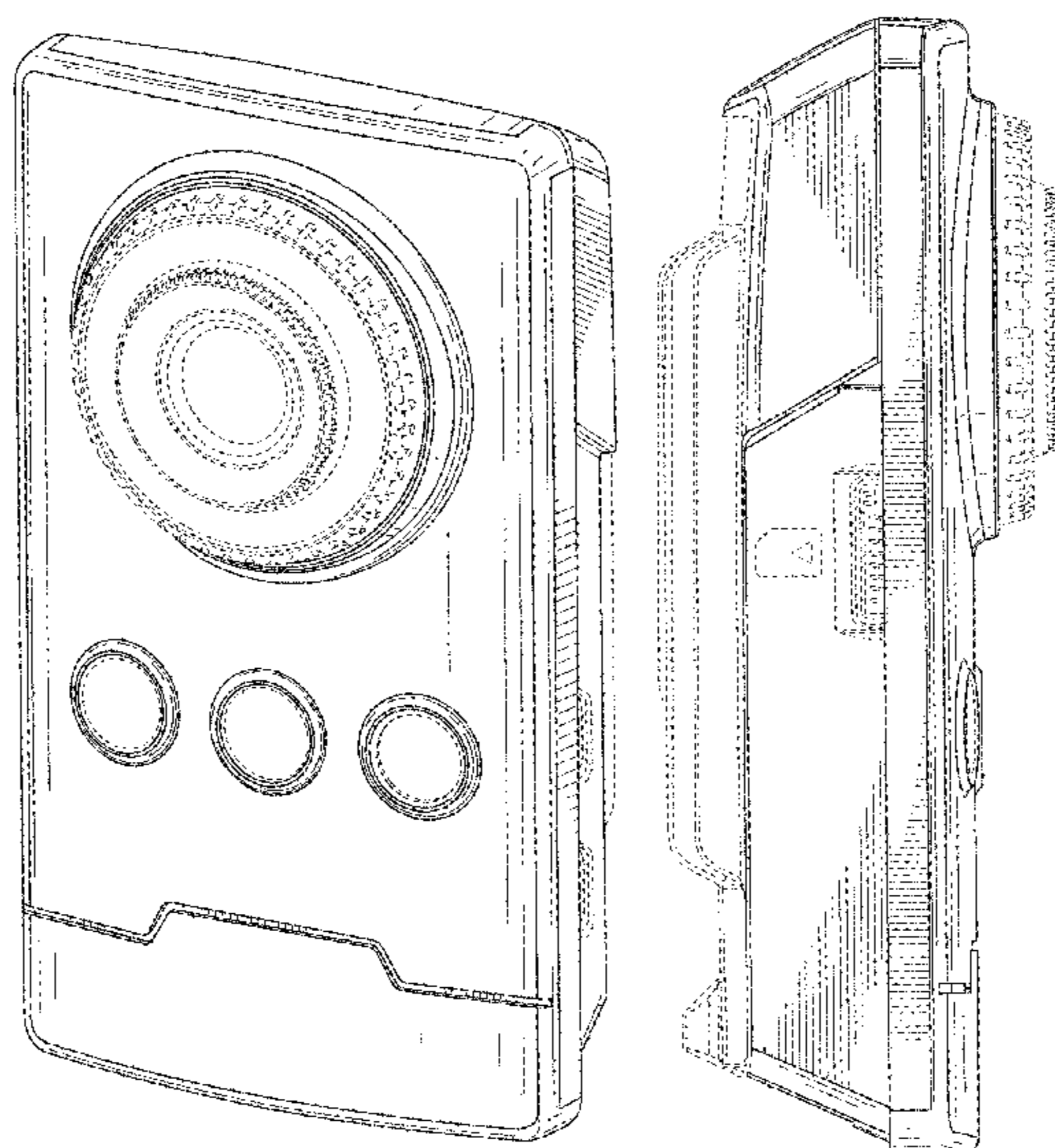
(57) **CLAIM**

The ornamental design for a monitoring camera, as shown and described.

DESCRIPTION

FIG. 1 is a front right perspective view of a monitoring camera showing our new design;
FIG. 2 is a front elevational view thereof;
FIG. 3 is a left side view thereof;
FIG. 4 is a right side view thereof;
FIG. 5 is a bottom view thereof;
FIG. 6 is a top plan view thereof; and,
FIG. 7 is a rear elevational view thereof.
The broken lines shown in the drawings depict portions of the monitoring camera that form no part of the claimed design.

1 Claim, 5 Drawing Sheets



(58) **Field of Classification Search**

CPC H04N 7/181; H04N 7/183; H04N 7/18;
 H04N 3/08; H04N 5/23248; H04N
 5/23287; H04N 5/23258; H04N 5/2251;
 H04N 5/2252; H04N 2007/145; G01C
 11/025; G03B 15/00; G03B 15/03; G03B
 17/56; G03B 17/02; G03B 17/30; G03B
 17/04; G03B 17/00; G03B 19/04; G03B
 3/00; B60R 1/00; B60R 2300/105; G08B
 13/19619; G08B 13/1963; G08B
 13/19632; F16M 11/04; F16M 13/00;
 Y02E 60/12

See application file for complete search history.

D669,380 S	10/2012	Kong et al.
D676,345 S	2/2013	Sterling et al.
D741,285 S	10/2015	Boynton
D746,348 S	12/2015	Park et al.
D766,864 S	9/2016	Tani
D806,774 S *	1/2018	Ahman D16/203
2017/0168376 A1*	6/2017	Adervall G03B 17/561

FOREIGN PATENT DOCUMENTS

TW	D142682	9/2011
TW	D166383	11/2015

OTHER PUBLICATIONS

AXIS Companion Cube L, announced Aug. 9, 2016, [site visited Mar. 29, 2017], Available from Internet, URL:<https://www.amazon.com/Axis-Communications-0891-001-Companion-Network/dp/Bo1K1JWDCM/ref=sr_1_1?ie=UTF8&qid=1490797937&sr=8-1&keywords=axis+companion+cube+22> .

AXIS Companion Cube LW2, announced Dec. 13, 2016, [site visited Mar. 29, 2017], Available from Internet, URL: <https://www.amazon.com/Axis-Companion-Megapixel-Network-Camera/dp/Bo1N4DELG7/ref=sr_1_2?ie=UTF8&qid=1490797937&sr=8-2&keywords=axis+companion+cube> .

AXIS M 1065LW, no date available, [site visited Mar. 29, 2017], Available from Internet, URL:<http://www.networkwebcams.co.uk/product_image.php?products_id=2629> .

* cited by examiner

(56)

References Cited

U.S. PATENT DOCUMENTS

D489,746 S	5/2004	Ogura
D518,843 S	4/2006	Tullberg et al.
D544,009 S	6/2007	Alm et al.
D603,440 S	11/2009	Alm et al.
D603,887 S	11/2009	Alm et al.
D609,727 S	2/2010	Adolfsson et al.
D610,178 S	2/2010	Adolfsson et al.
D634,039 S	3/2011	Lee
D636,007 S	4/2011	Peng
D636,424 S	4/2011	Lin
D642,607 S	8/2011	Bergstrom et al.
D643,452 S	8/2011	Alm et al.

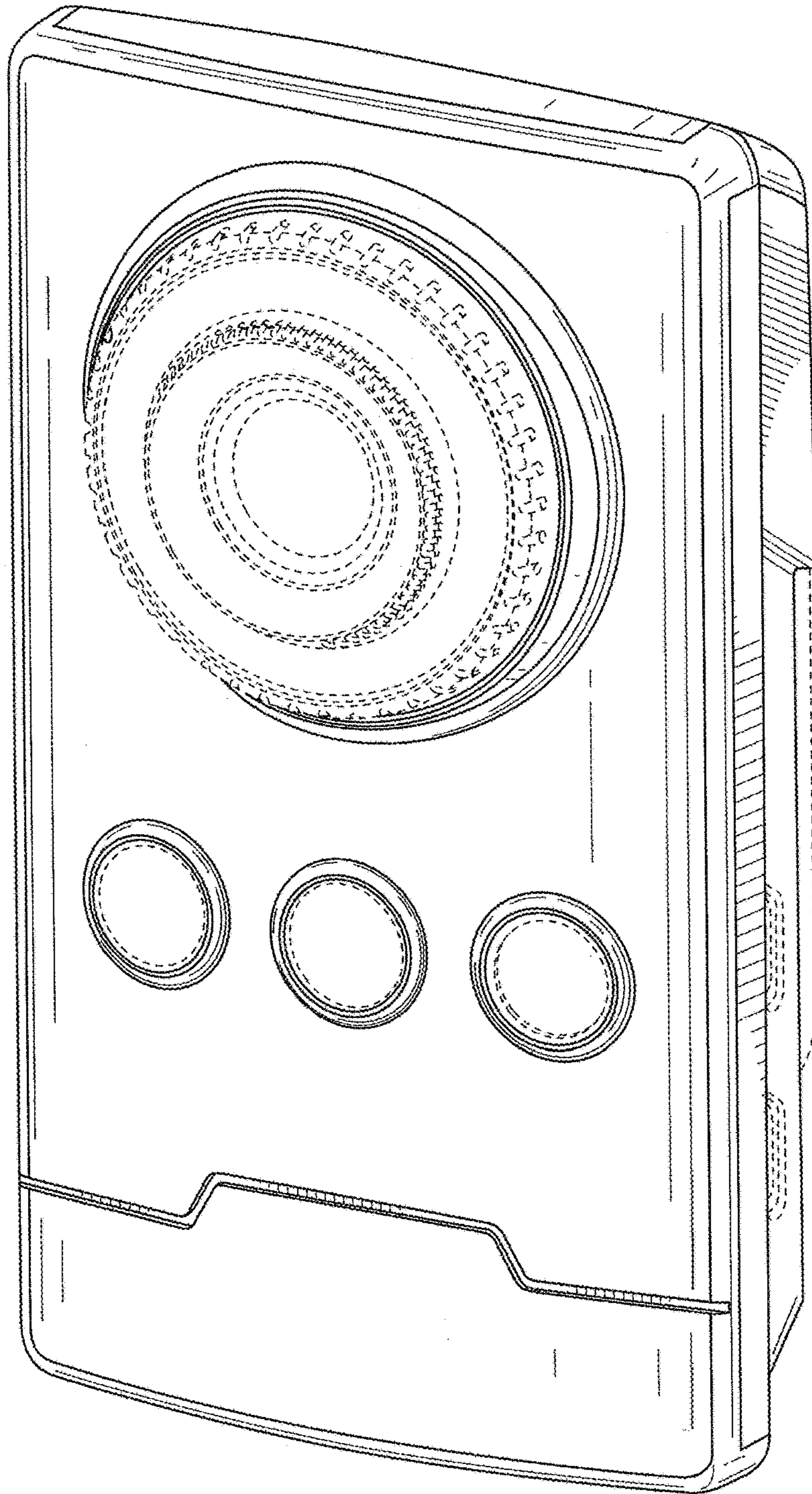


FIG. 1

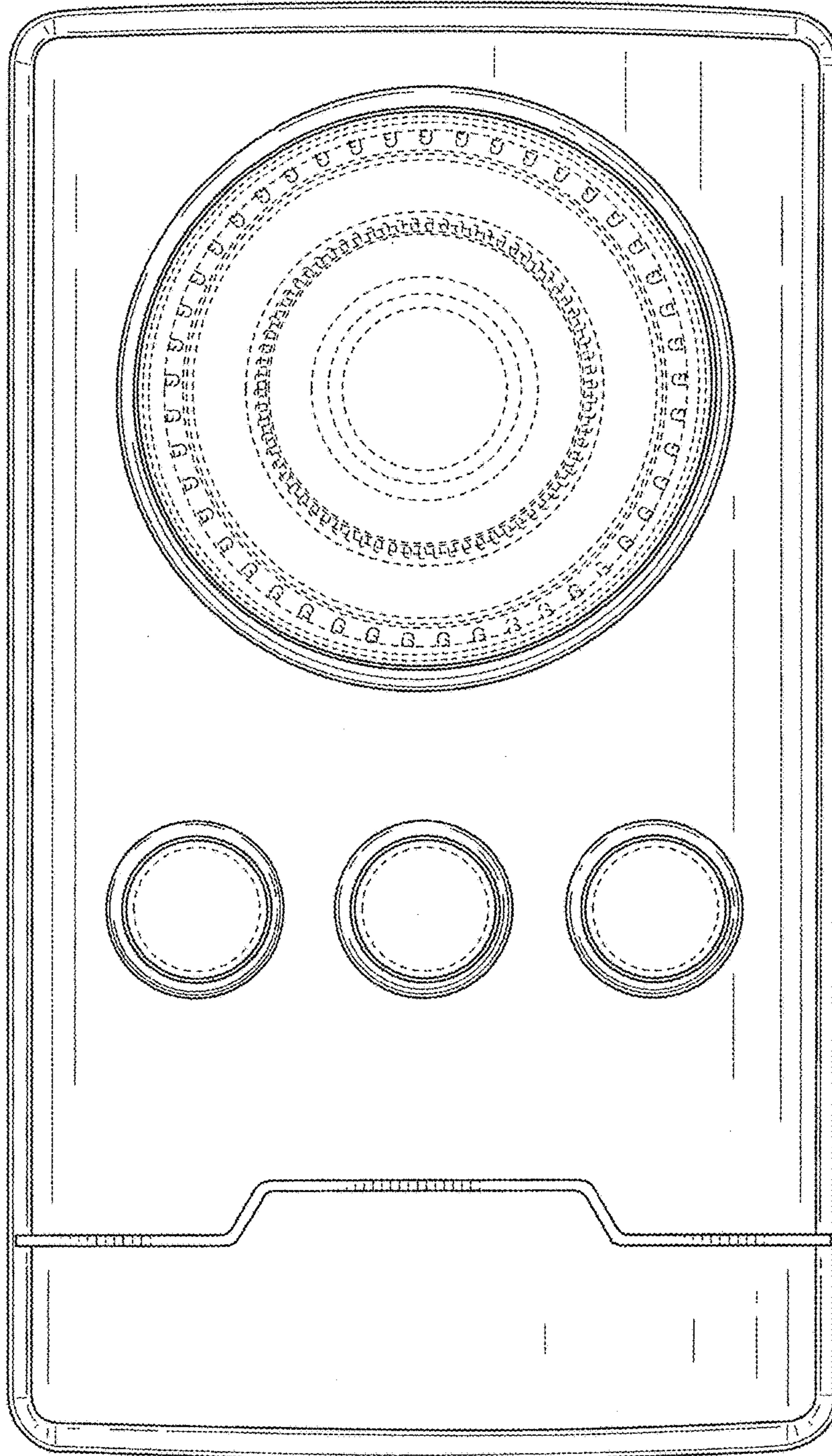


FIG. 2

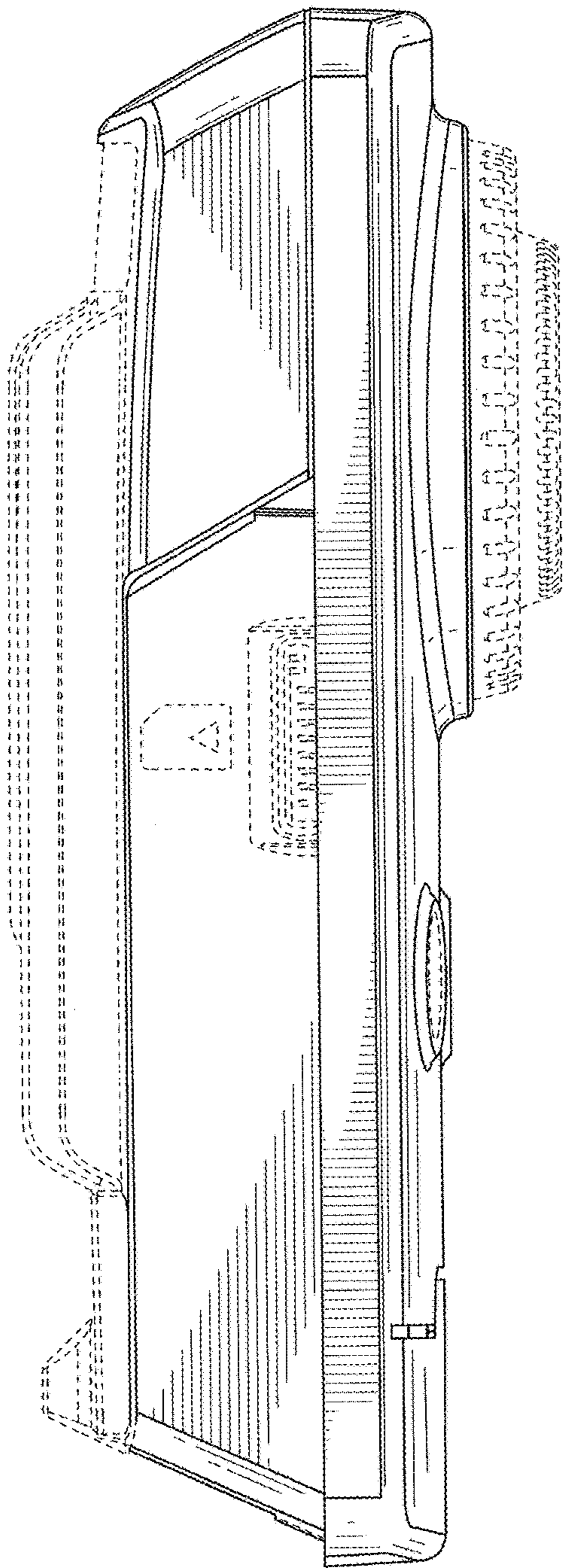


FIG. 3

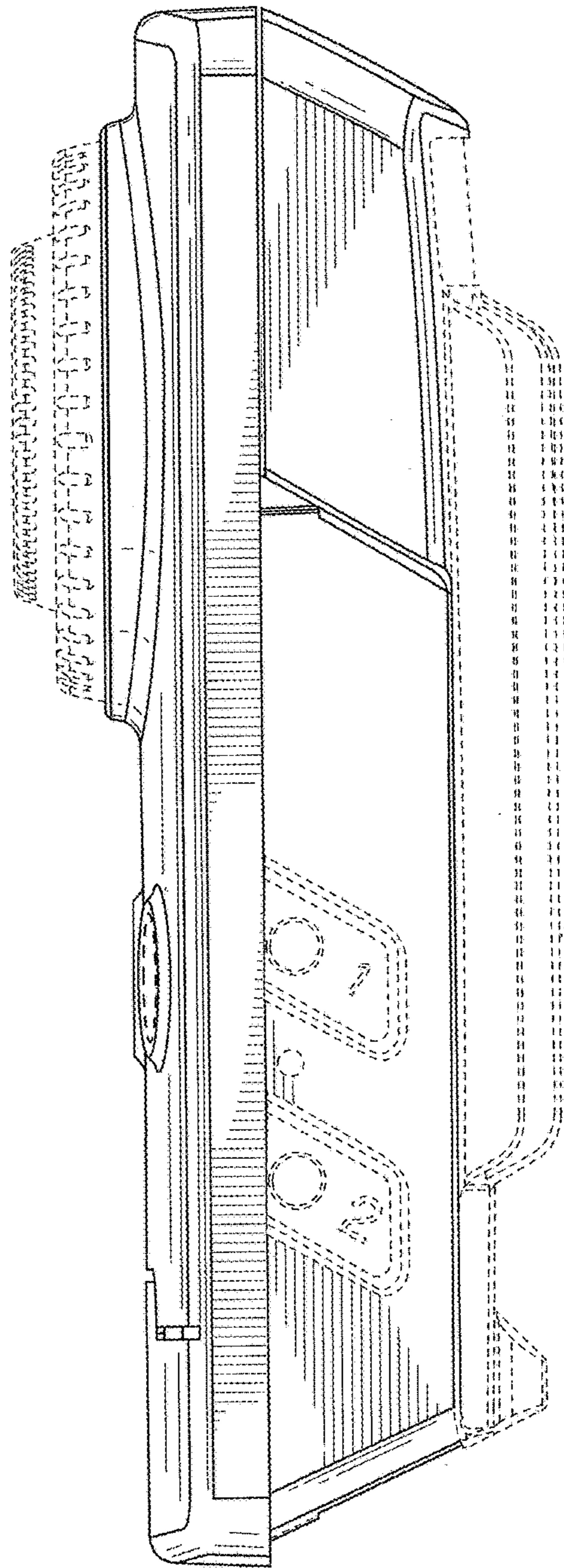


FIG. 4

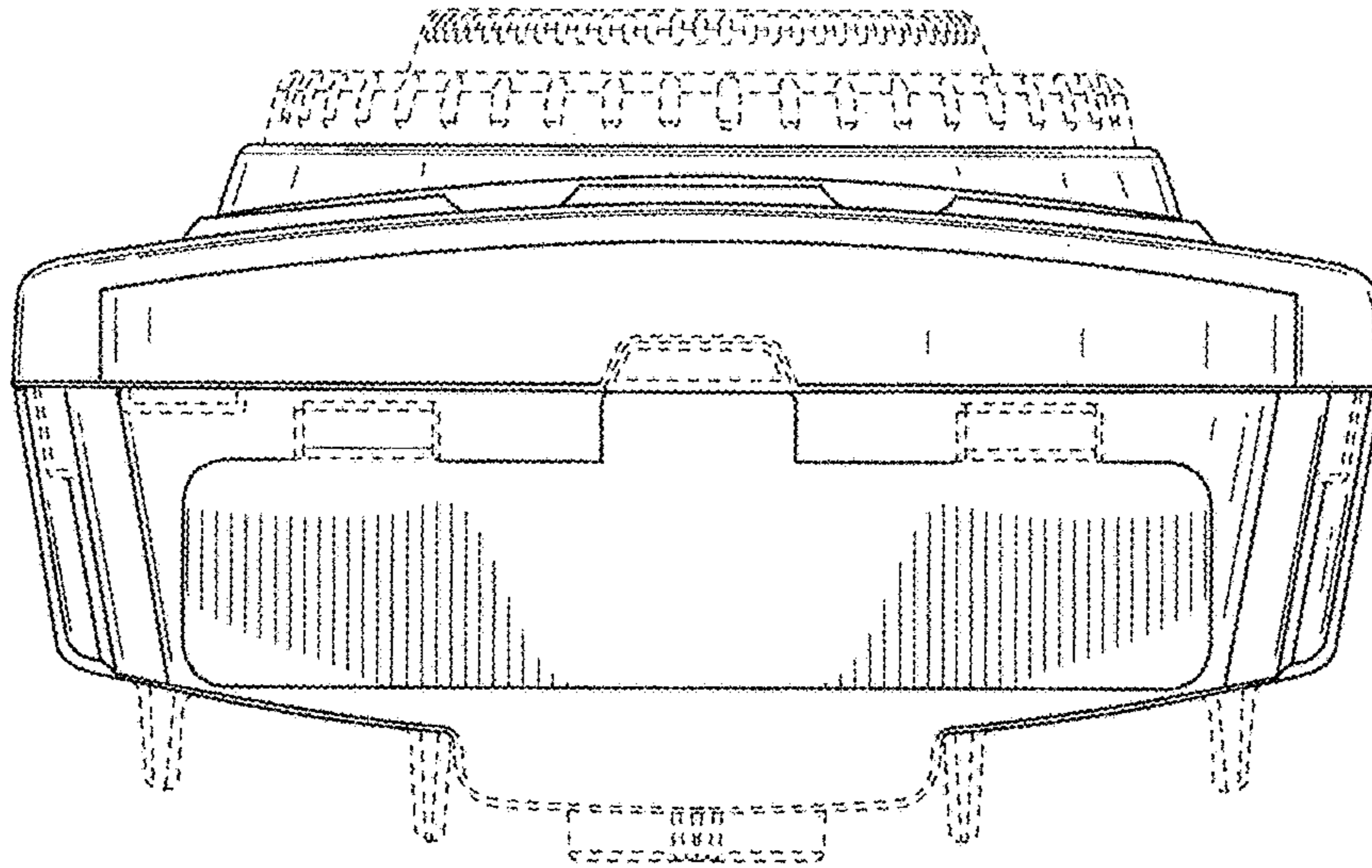


FIG. 5

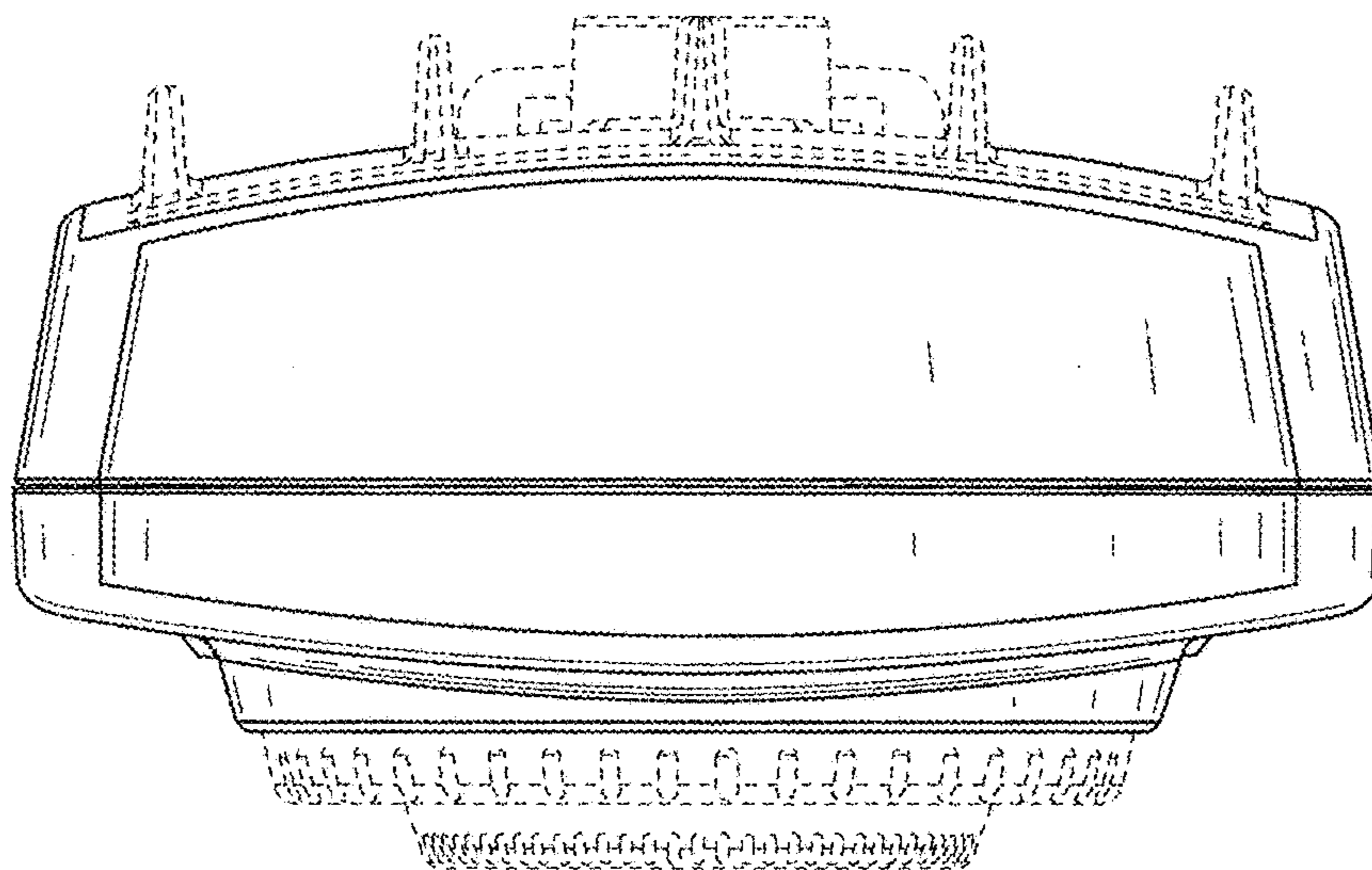


FIG. 6

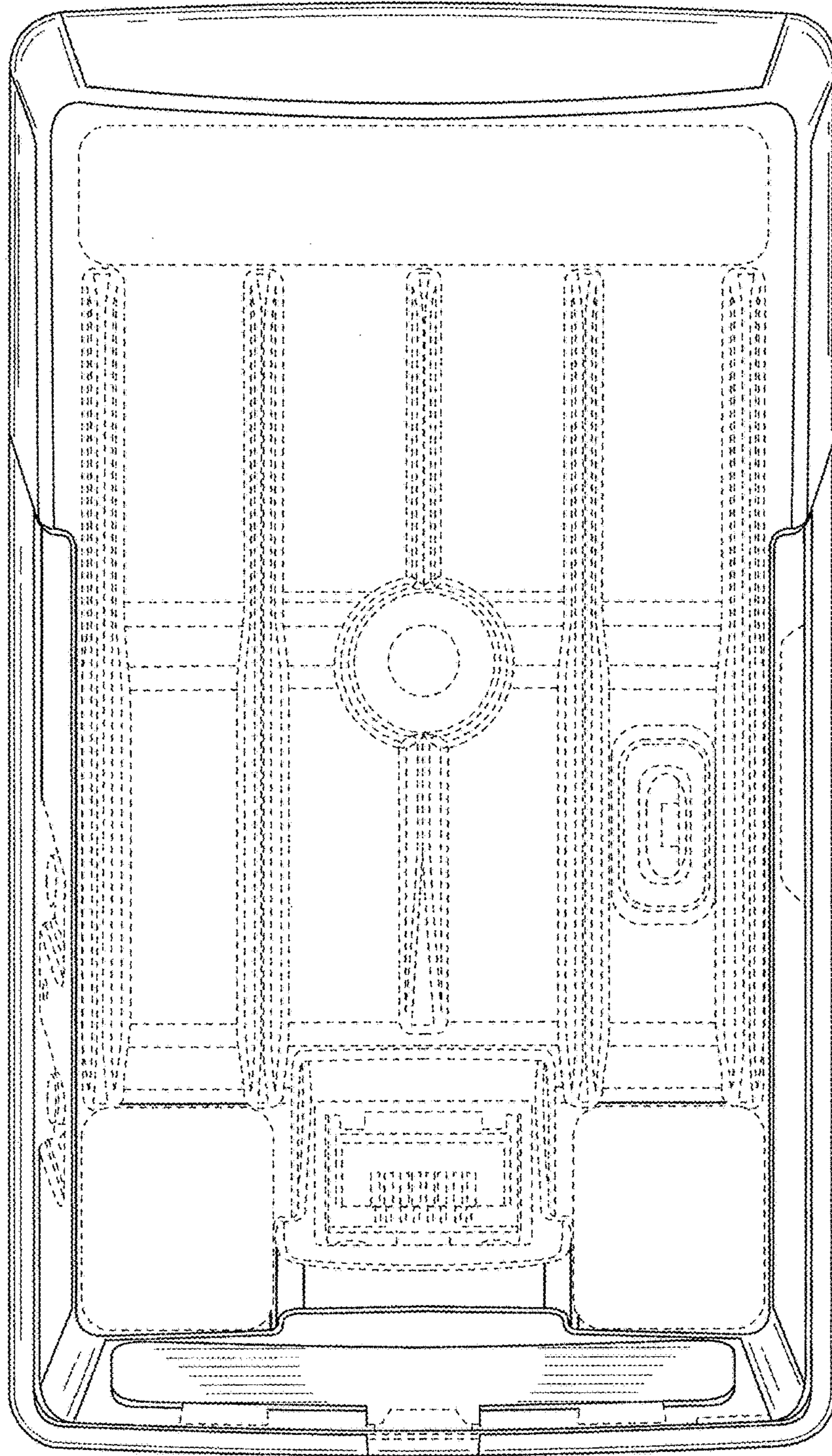


FIG. 7