



US00D816142S

(12) **United States Design Patent** (10) **Patent No.:** **US D816,142 S**
Song (45) **Date of Patent:** **** Apr. 24, 2018**

(54) **CAMERA**

(71) Applicant: **Xiaoyi Technology Co., Ltd.**, Pudong
New Area, Shanghai (CN)

(72) Inventor: **Ye Song**, Shanghai, CA (US)

(73) Assignee: **SHANGHAI XIAOYI
TECHNOLOGY CO., LTD.**, Shanghai
(CN)

(**) Term: **15 Years**

(21) Appl. No.: **29/561,182**

(22) Filed: **Apr. 14, 2016**

(51) **LOC (11) Cl.** **16-01**

(52) **U.S. Cl.**
USPC **D16/203**

(58) **Field of Classification Search**
USPC D16/200–220, 242, 243, 244, 134;
D26/24, 36, 72, 79, 123, 138, 88, 120;
D11/146; D10/104.1, 104.2, 106.1,
D10/106.2, 106.5; D9/544, 558, 777,
D9/691, 689, 516, 505, 764; D7/610;
D23/223, 229, 255

CPC .. H04N 3/08; H04N 5/23248; H04N 5/23287;
H04N 5/23258; H04N 5/2251; H04N
5/2252; H04N 7/181; H04N 7/183; H04N
7/18; H04N 2007/145; G01C 11/025;
G03B 15/00; G03B 15/03; G03B 17/56;
G03B 17/02; G03B 17/30; G03B 17/04;
G03B 17/00; G03B 19/04; G03B 3/00;
G08B 13/19619; G08B 13/1963; G08B
13/19632; B60R 1/00; B60R 2300/105;
F16M 11/04; F16M 13/00; Y02E 60/12

See application file for complete search history.

(56) **References Cited**

U.S. PATENT DOCUMENTS

D564,559 S * 3/2008 Stephens D16/208
D638,001 S * 5/2011 Nakhjiri D14/242

D649,573 S * 11/2011 Al D16/202
D678,929 S * 3/2013 Hancock D16/202
D739,777 S * 9/2015 Vu D10/103
D746,889 S * 1/2016 Moon D16/203
D747,385 S * 1/2016 Scalisi D10/118.2
D757,585 S * 5/2016 Hojmose D10/106.1
9,554,041 B1 * 1/2017 Shin H04N 5/23238
2007/0222888 A1 * 9/2007 Xiao H04N 5/2252
348/373

OTHER PUBLICATIONS

Dropcam Pro, Oct. 10, 2013 [online], [site visited Mar. 15, 2017],
Available from Internet, URL: <https://www.cnet.com/products/dropcam-pro/2/>.*

(Continued)

Primary Examiner — Barbara Fox

Assistant Examiner — Mary C Ramirez

(74) *Attorney, Agent, or Firm* — Finnegan, Henderson,
Farabow, Garrett & Dunner, L.L.P.

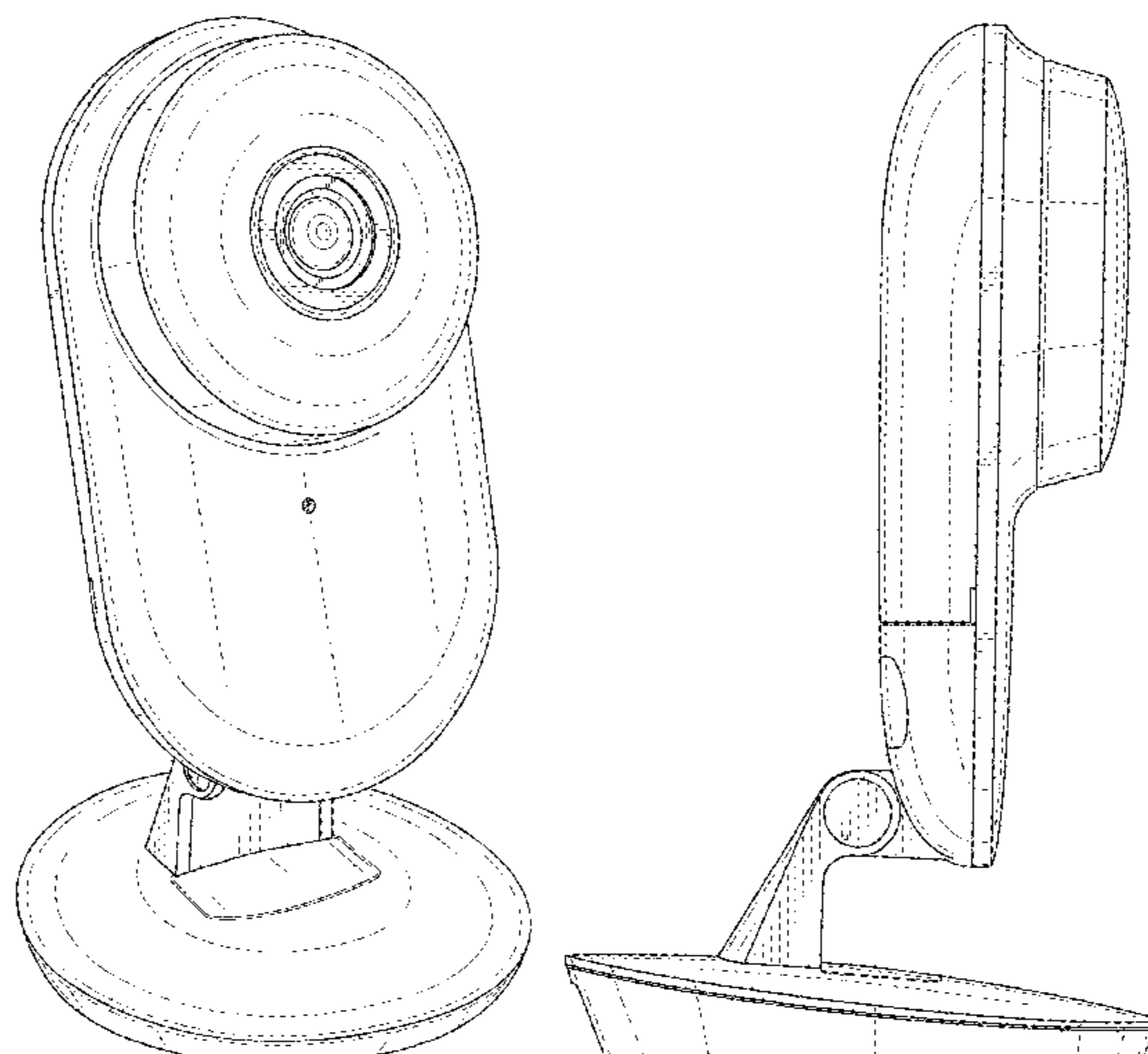
(57) **CLAIM**

The ornamental design for a camera, as shown and
described.

DESCRIPTION

FIG. 1 is a top, front, right perspective view of a camera
showing my new design;
FIG. 2 is a front elevation view thereof;
FIG. 3 is rear elevation view thereof;
FIG. 4 is a top plan view thereof;
FIG. 5 is a bottom plan view thereof;
FIG. 6 is a left elevation view thereof; and,
FIG. 7 is a right elevation view thereof.
The broken lines in the drawings depict portions of the
camera that form no part of the claimed design.

1 Claim, 7 Drawing Sheets



(56)

References Cited

OTHER PUBLICATIONS

Xiaomi Xiaoyi IP Camera, Nov. 22, 2014 [online], [site visited Mar. 15, 2017], Available from Internet, URL: <<https://www.youtube.com/watch?v=aLiCLIQ9dEU>> at approximately :58.*

YI Home Camera, Feb. 26, 2016 [online], [site visited Mar. 15, 2017], Available from Internet, URL: <https://www.amazon.com/YI-MicroSD-Wireless-Security-Surveillance/dp/B01C89K116/ref=sr_1_5?ie=UTF8&qid=1488248728&sr=8-5&keywords=yi+camera+1080p>.*

* cited by examiner

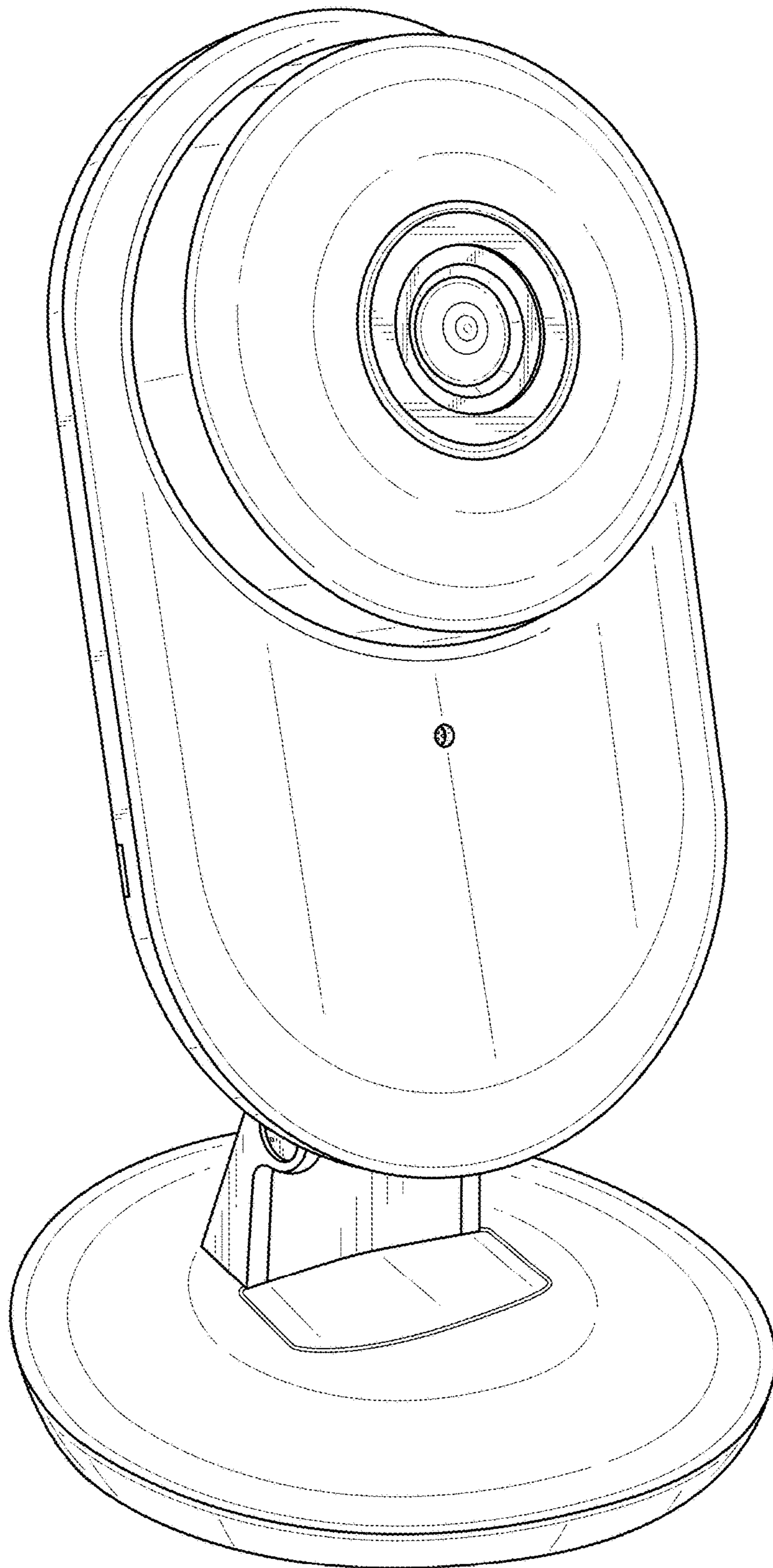


FIG. 1

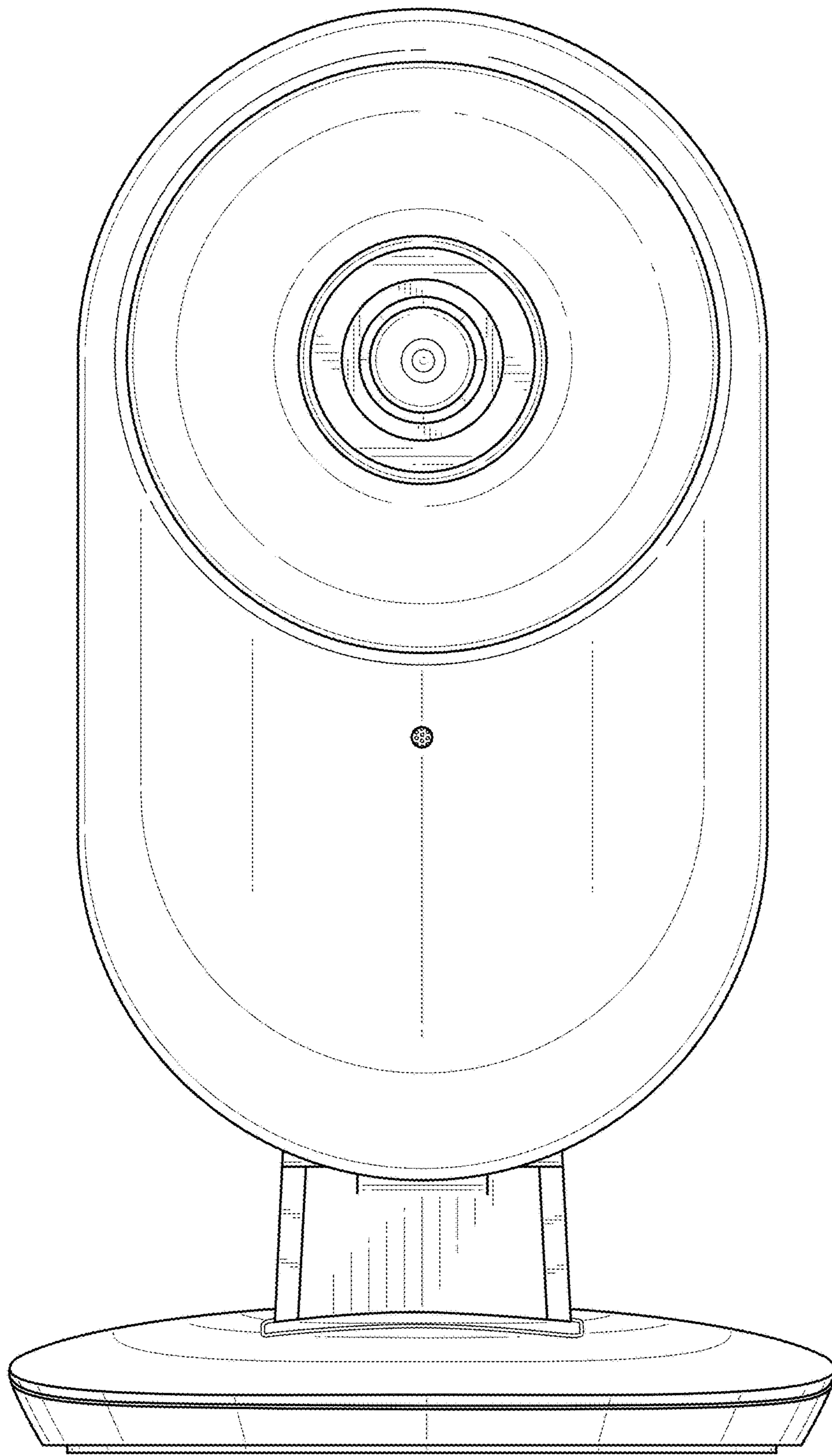


FIG. 2

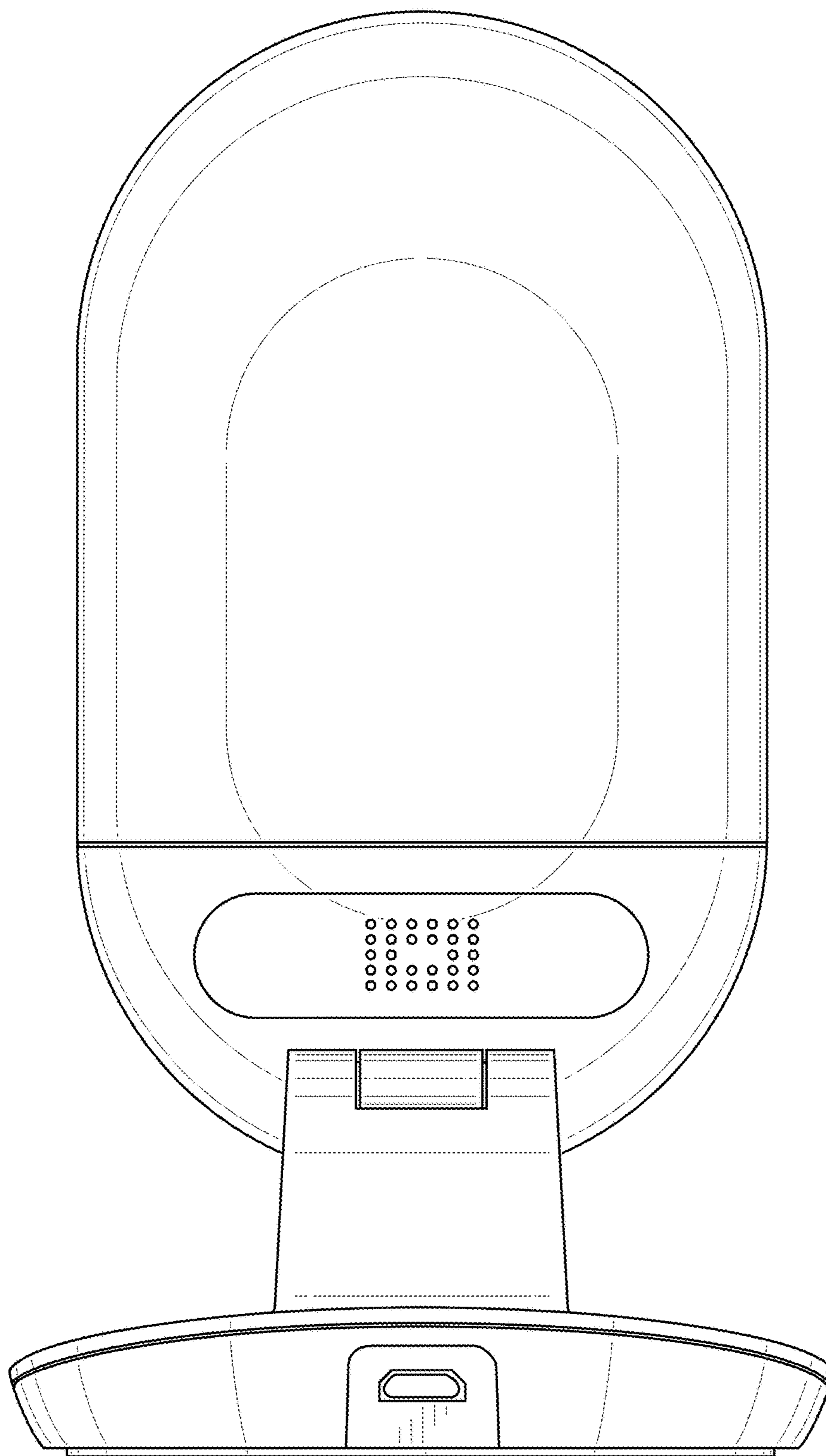


FIG. 3

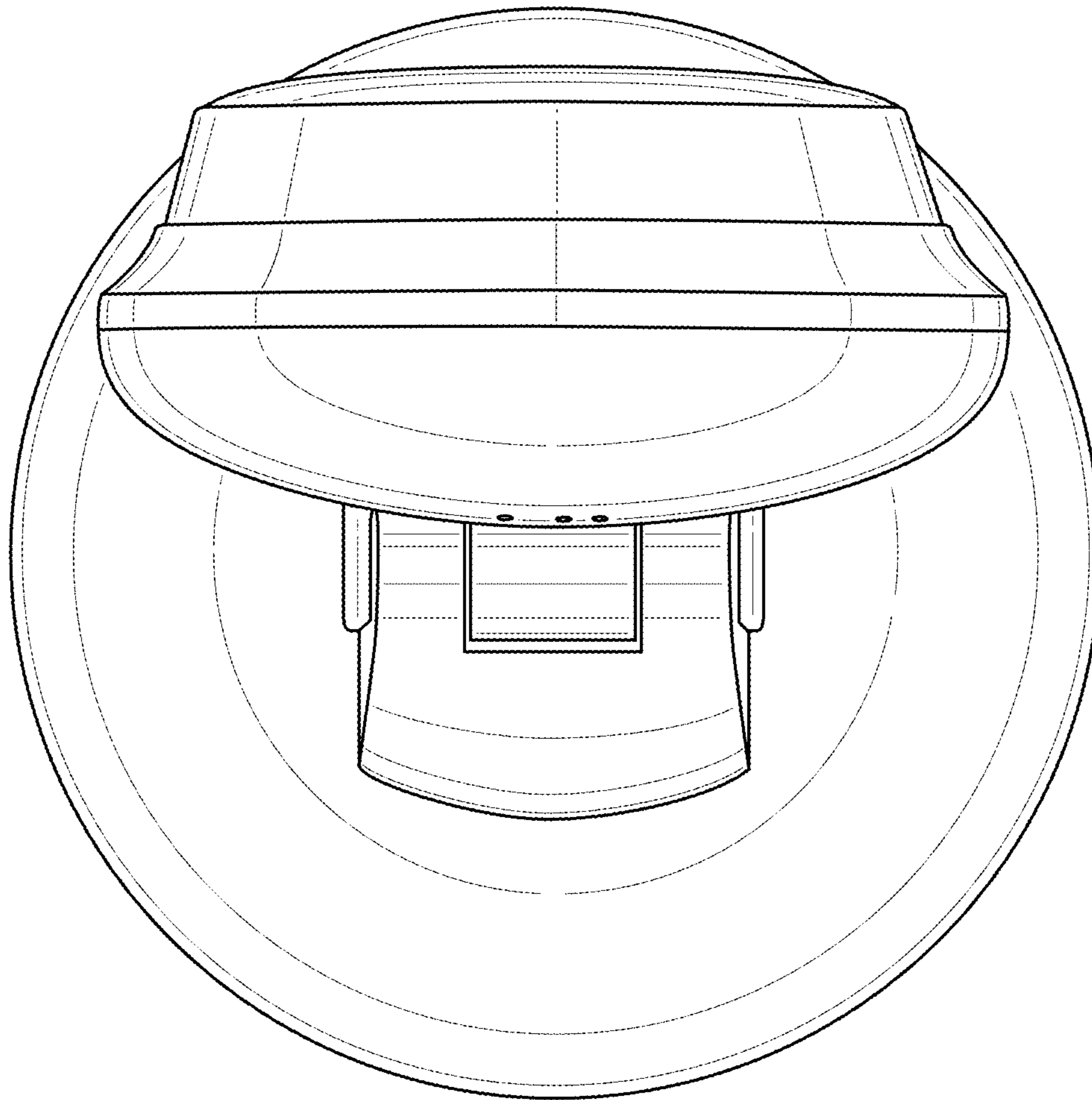


FIG. 4

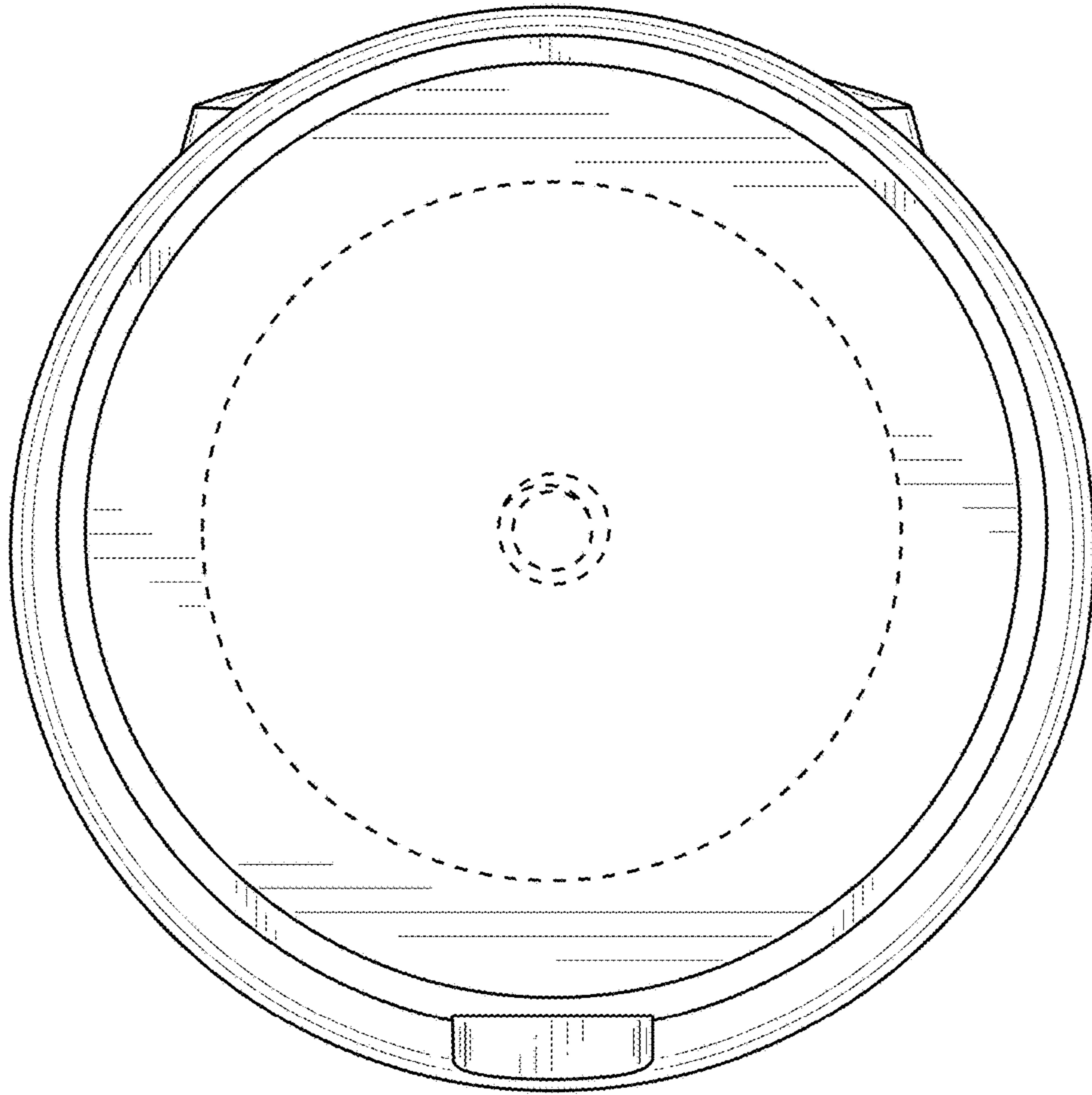


FIG. 5

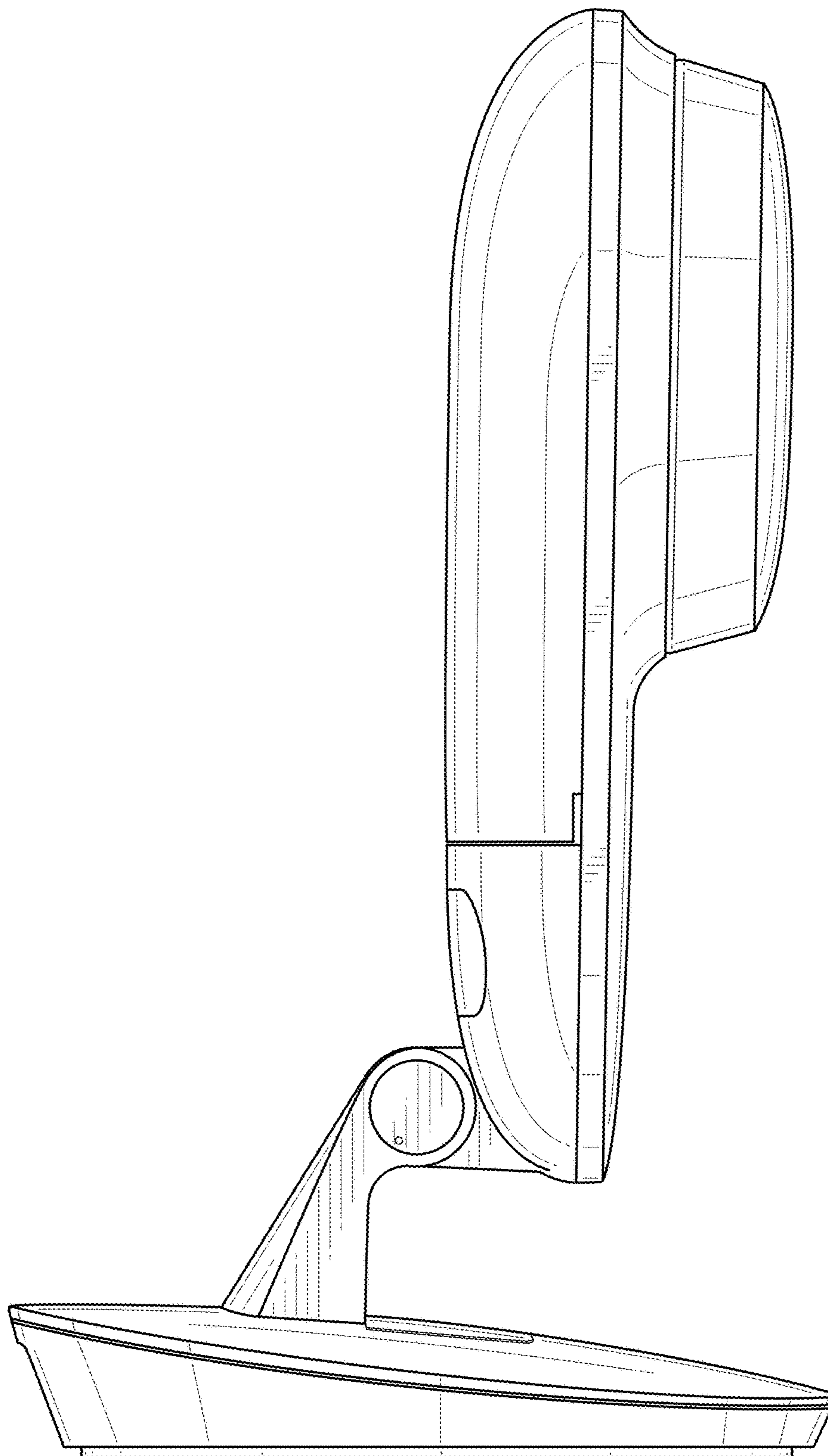


FIG. 6

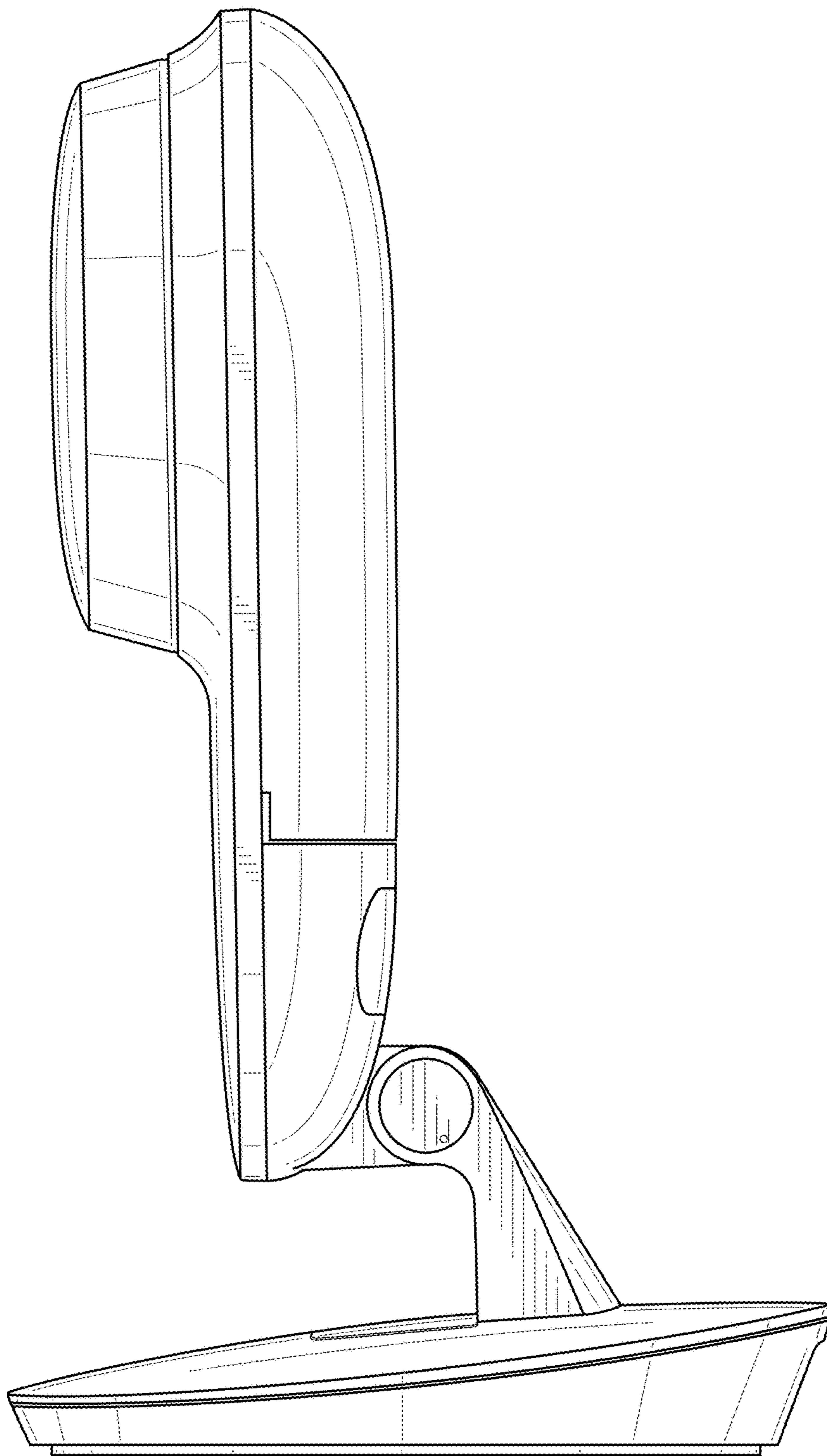


FIG. 7