



US00D816140S

(12) **United States Design Patent** (10) **Patent No.:** **US D816,140 S**
Ranetkins et al. (45) **Date of Patent:** **** Apr. 24, 2018**

(54) **WATERPROOF HOUSING FOR DIGITAL DEVICE**
(71) Applicant: **Vais Tech Inc.**, Montreal (CA)
(72) Inventors: **Valentins Ranetkins**, Montreal (CA); **Freddy Espinoza**, Montreal (CA)
(73) Assignee: **Vals Tech, Inc.**, Montreal, Quebec (CA)
(**) Term: **15 Years**
(21) Appl. No.: **29/575,793**
(22) Filed: **Aug. 29, 2016**

D621,432 S * 8/2010 Yim D16/204
D646,313 S * 10/2011 Woodman D16/200
D647,554 S * 10/2011 Yim D16/204
D657,808 S * 4/2012 Woodman D16/200
D674,428 S * 1/2013 Woodman D16/207
8,544,643 B2 * 10/2013 Yim G03B 17/08
206/316.2
D702,747 S * 4/2014 Woodman D16/200
D710,921 S * 8/2014 Gioscia D16/200
D710,922 S * 8/2014 Gioscia D16/200
D750,146 S * 2/2016 Costa D16/200
D750,680 S * 3/2016 Chen D16/200
D776,741 S * 1/2017 Parfitt D16/204
D785,069 S * 4/2017 Goodwin D16/219
2009/0032420 A1 * 2/2009 Zenzai G03B 17/08
206/316.2
2009/0317069 A1 * 12/2009 Yim G03B 17/08
396/27

Related U.S. Application Data

(62) Division of application No. 14/839,042, filed on Aug. 28, 2015.
(51) **LOC (11) Cl.** **16-01**
(52) **U.S. Cl.**
USPC **D16/200**; D16/204
(58) **Field of Classification Search**
USPC D3/267; D16/200, 202-204, 208, 211, D16/218, 219, 242; 248/176.1, 187.1; 348/81, 373-376; 396/25, 27, 29, 419, 396/535, 539-541; 206/316.2
CPC G03B 15/03; G03B 17/02; G03B 17/04; G03B 17/08; G03B 17/56; G03B 19/04; H04N 5/2251; H04N 5/2252; H04N 5/2253; H04N 5/2254; A45C 11/38
See application file for complete search history.

* cited by examiner

Primary Examiner — Philip S Hyder
Assistant Examiner — Ramzi S Almatrahi

(57) **CLAIM**

The ornamental design for a waterproof housing for digital device, as shown and described.

DESCRIPTION

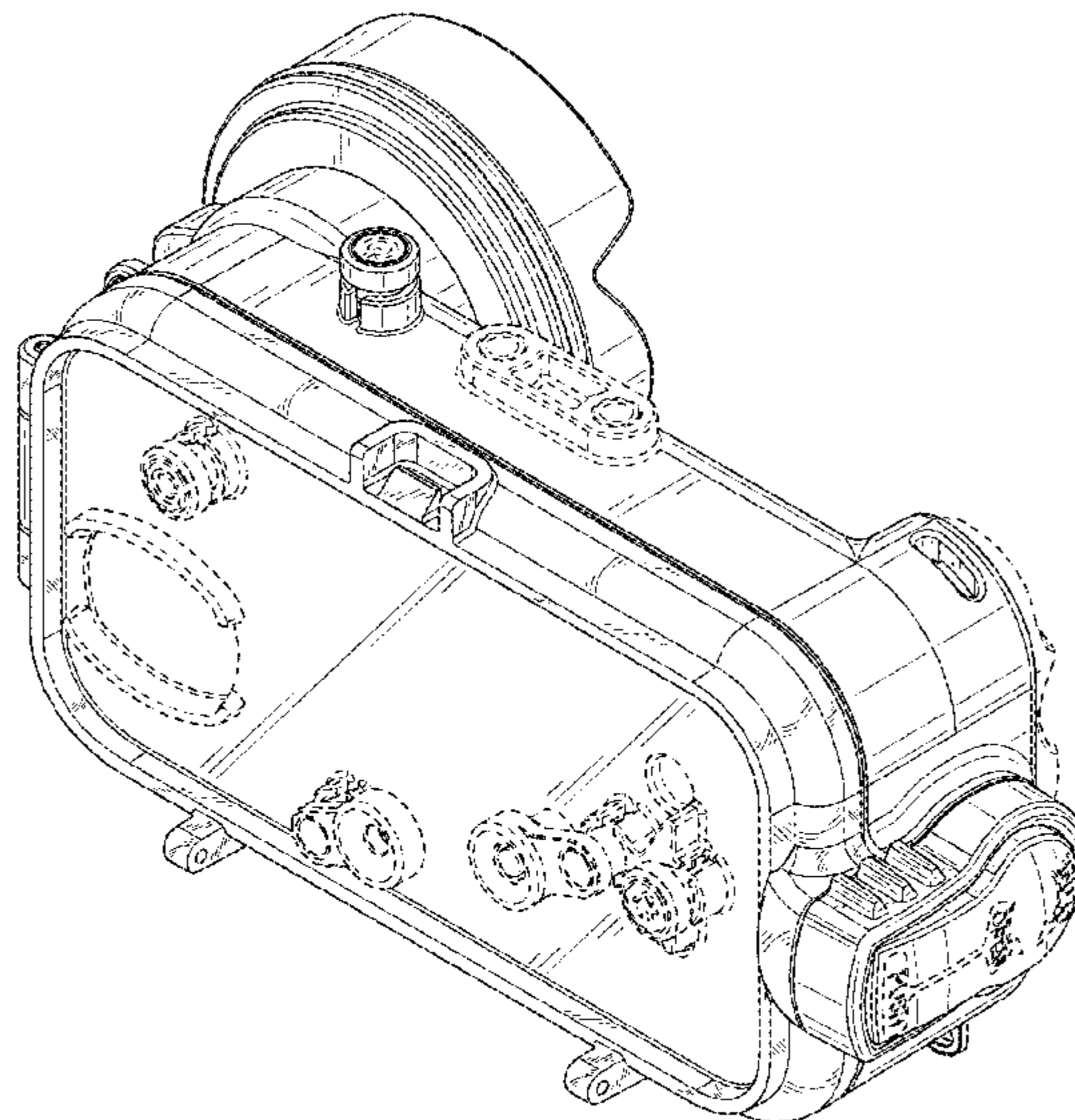
FIG. 1 is a top, rear and left side perspective view of a waterproof housing for digital device showing our new design;
FIG. 2 is a rear elevational view thereof;
FIG. 3 is a front elevational view thereof;
FIG. 4 is a left side elevational view thereof;
FIG. 5 is a right side elevational view thereof;
FIG. 6 is a top plan view thereof; and,
FIG. 7 is a bottom plan view thereof.
The broken lines depict portions of the waterproof housing for digital device in which the design is embodied that form no part of the claimed design.

(56) **References Cited**

U.S. PATENT DOCUMENTS

D419,296 S * 1/2000 Shinano D16/204
D453,177 S * 1/2002 Uehara D16/202
7,653,292 B2 * 1/2010 Yamaguchi G03B 17/08
348/81

1 Claim, 7 Drawing Sheets



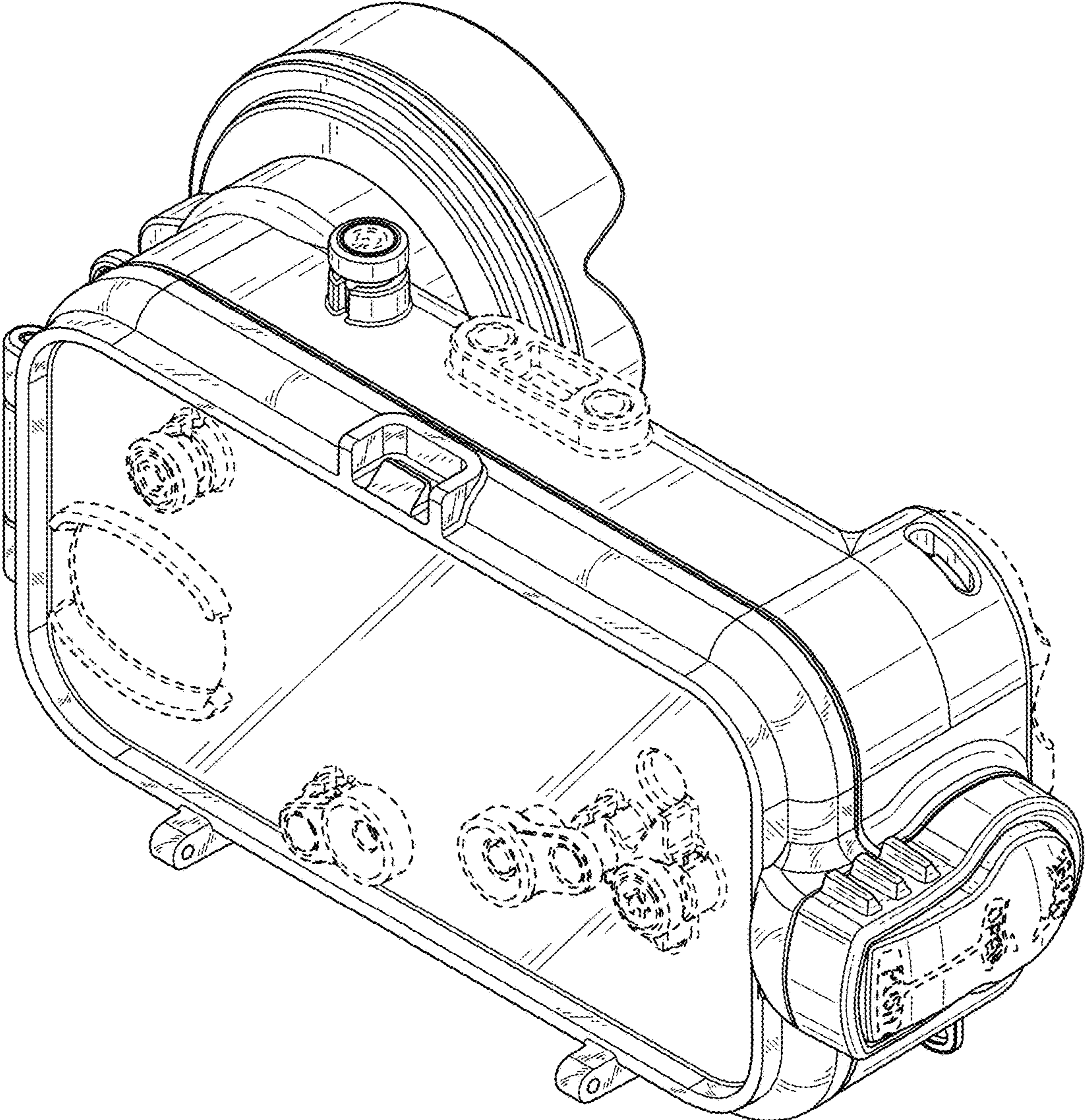


FIG. 1

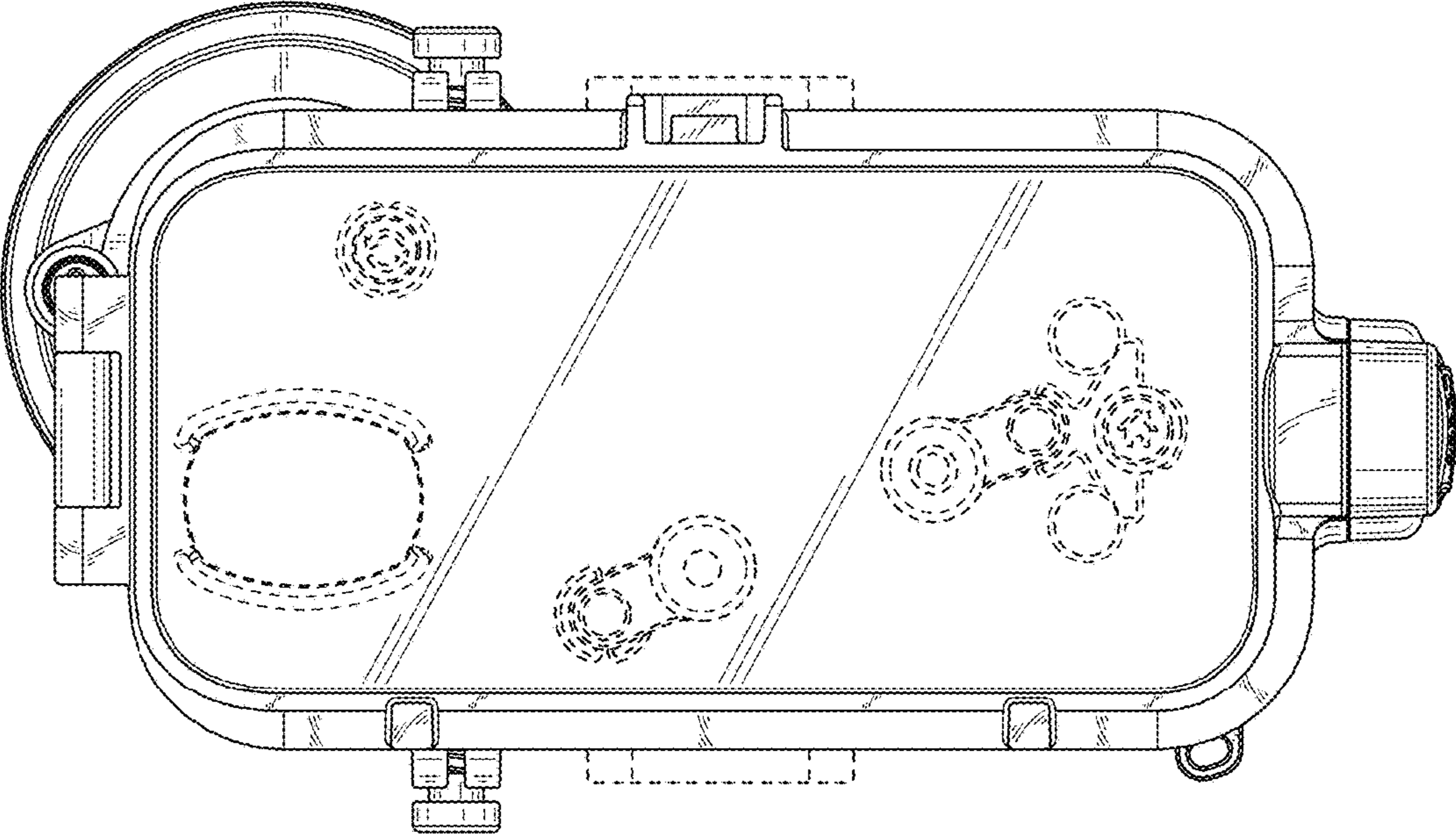


FIG. 2

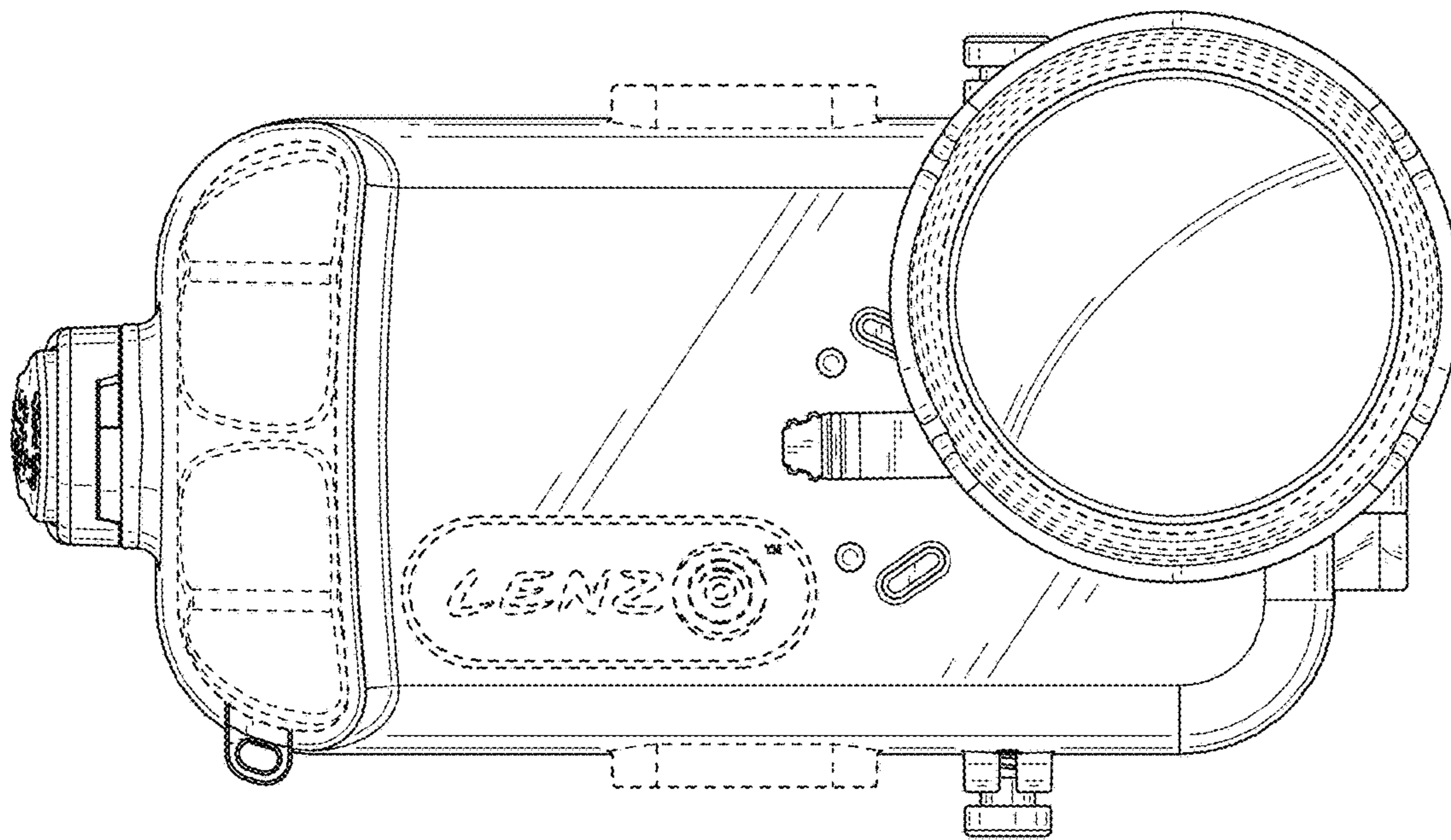


FIG. 3

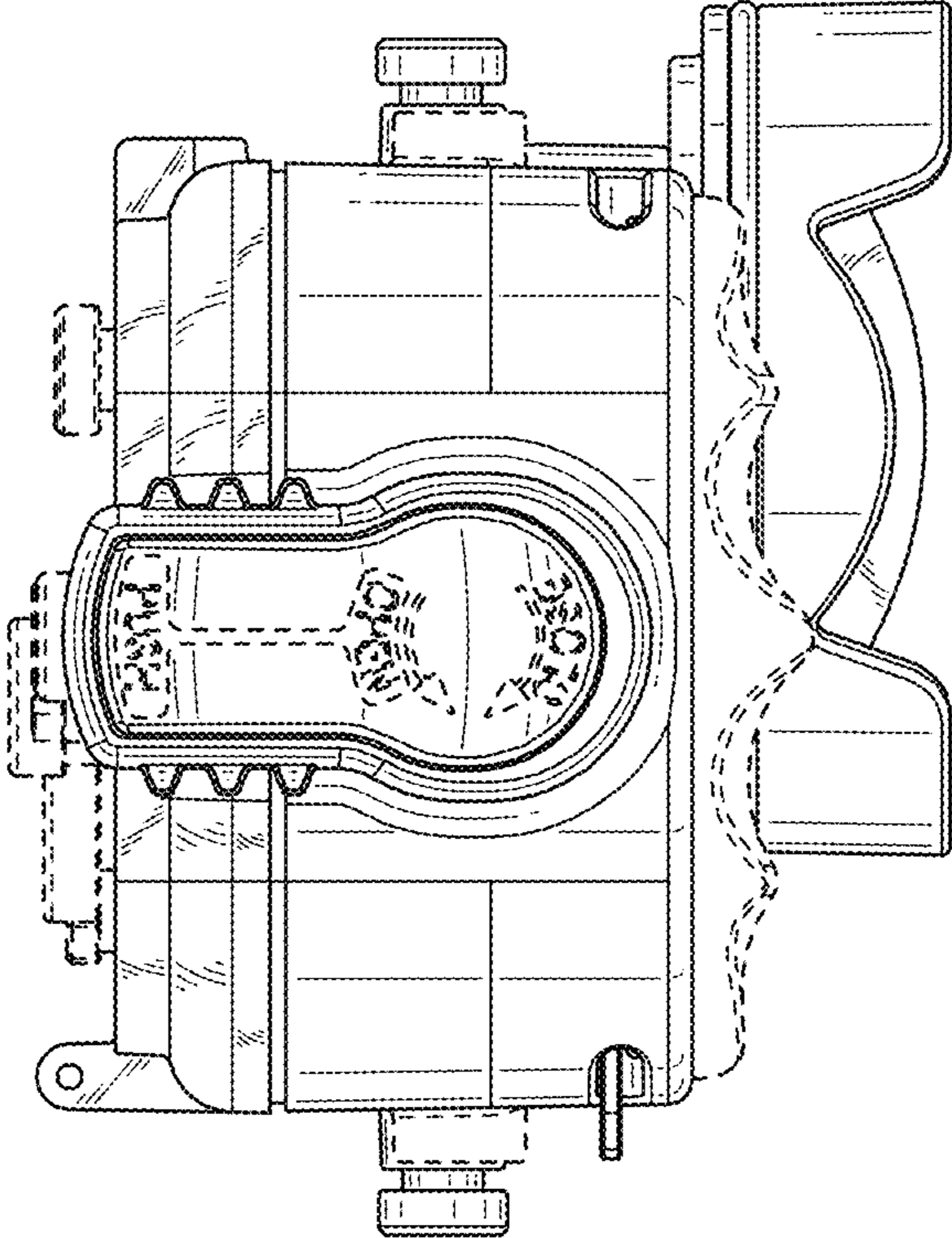


FIG. 4

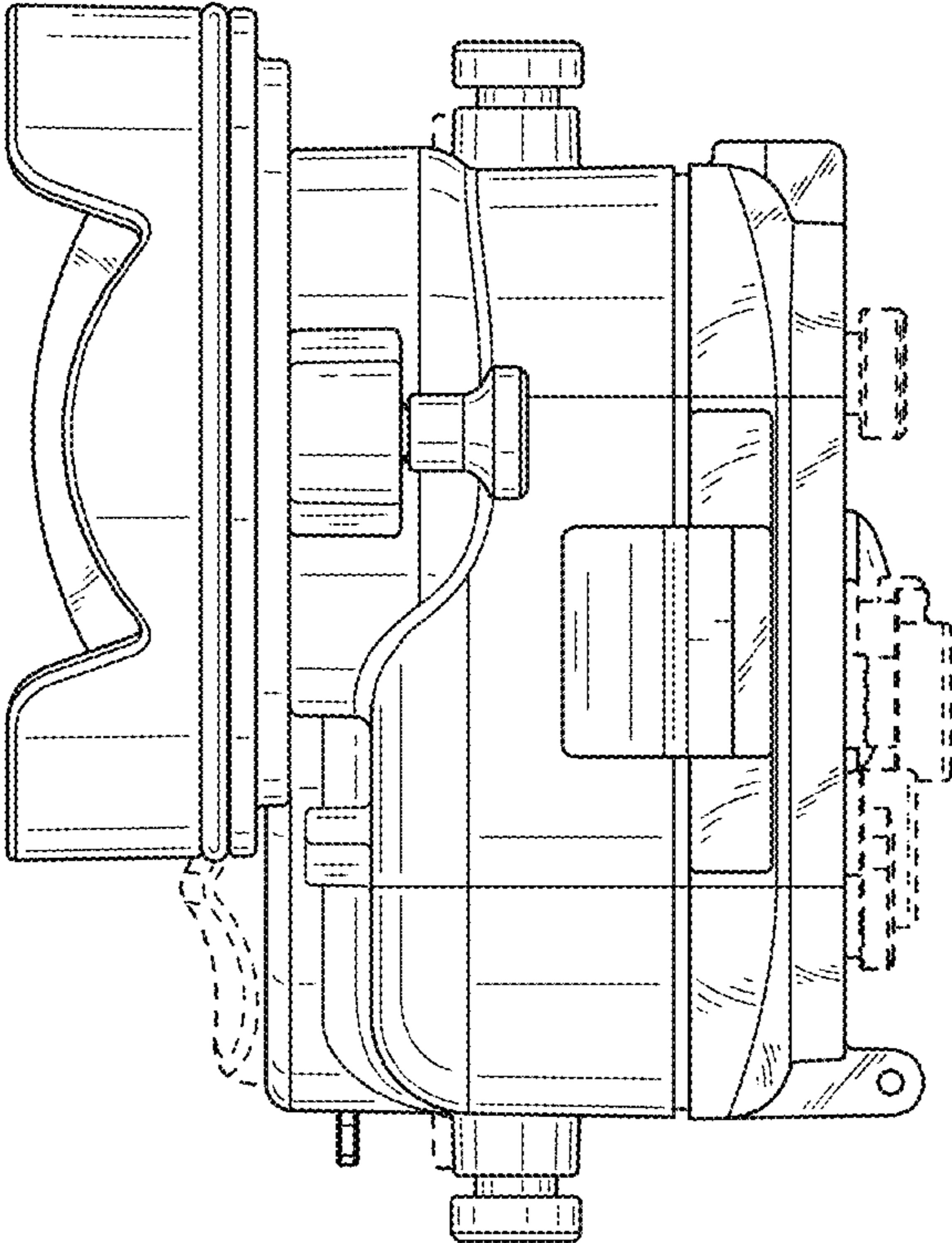


FIG. 5

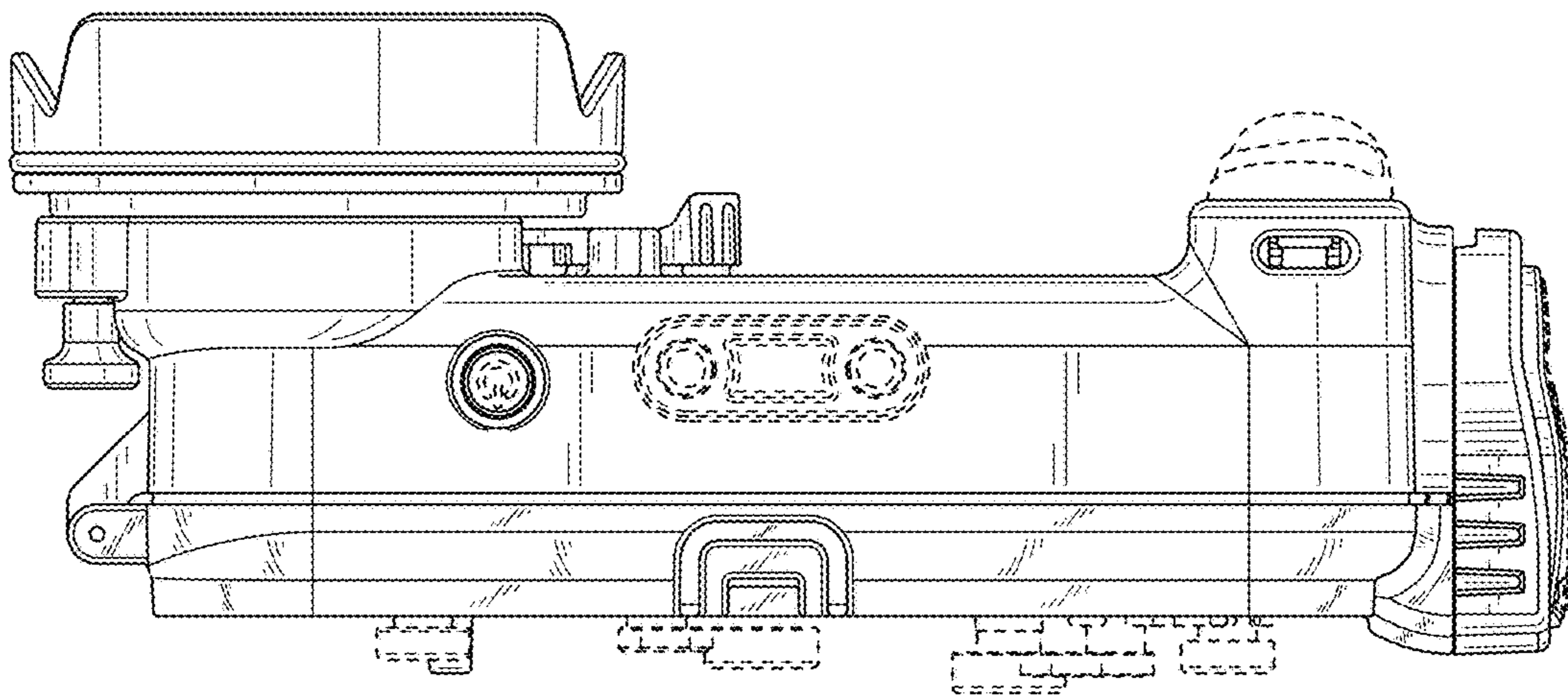


FIG. 6

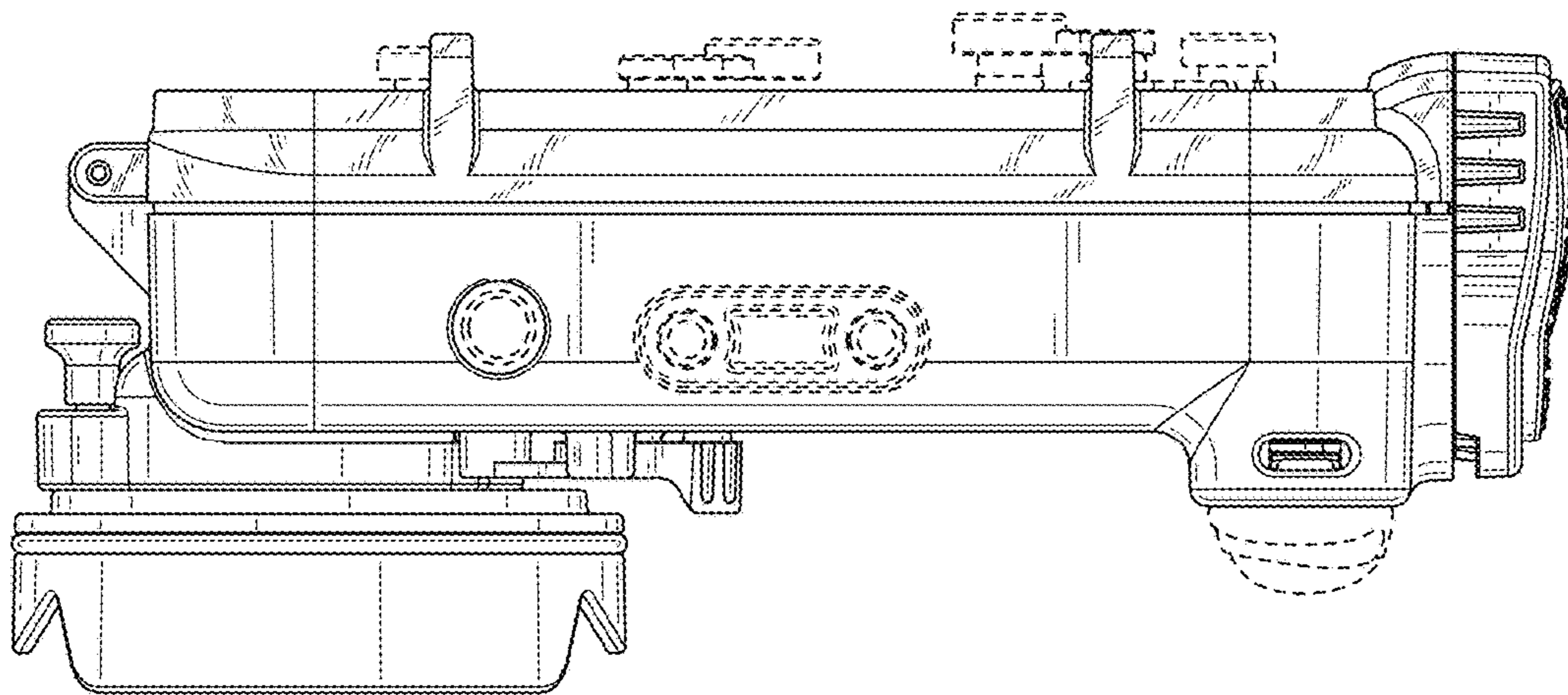


FIG. 7

UNITED STATES PATENT AND TRADEMARK OFFICE
CERTIFICATE OF CORRECTION

PATENT NO. : D816,140 S
APPLICATION NO. : 29/575793
DATED : April 24, 2018
INVENTOR(S) : Valentins Ranetkins et al.

Page 1 of 1

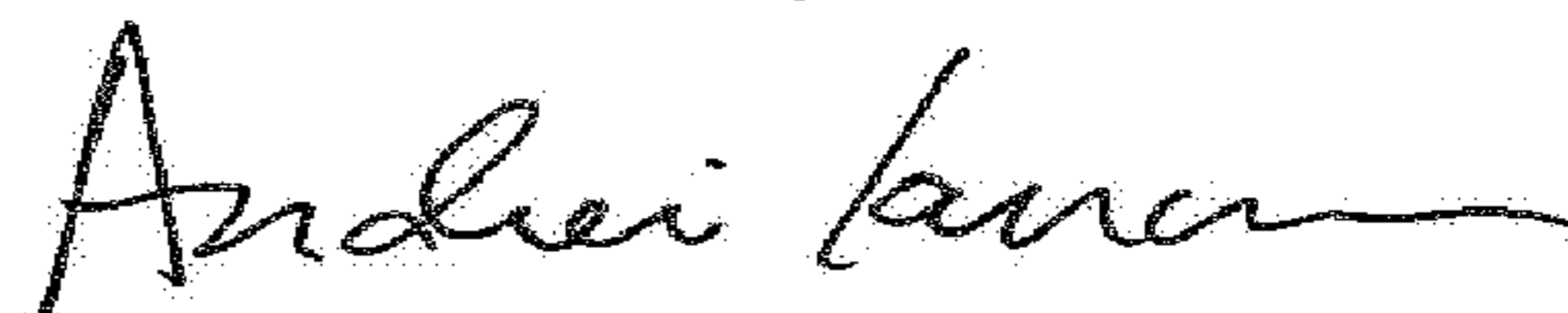
It is certified that error appears in the above-identified patent and that said Letters Patent is hereby corrected as shown below:

On the Title Page

Item (71) Applicant should read as follows:

--Vals Tech Inc., Montreal (CA)--

Signed and Sealed this
Nineteenth Day of June, 2018



Andrei Iancu
Director of the United States Patent and Trademark Office