



US00D816139S

(12) **United States Design Patent**
Geller et al.

(10) **Patent No.:** **US D816,139 S**

(45) **Date of Patent:** **** Apr. 24, 2018**

- (54) **DRAPE RING**
- (71) Applicant: **Carl Zeiss Meditec AG**, Jena (DE)
- (72) Inventors: **Nadine Geller**, Koenigsbronn (DE);
Daniel Lindner, Koenigsbronn (DE);
Frank Koenig, Aalen (DE); **Philipp Simon**, Bad Duerrheim (DE); **Jasmin Grosser**, Olching (DE)
- (73) Assignee: **Carl Zeiss Meditec AG**, Jena (DE)
- (**) Term: **15 Years**

- 5,682,264 A * 10/1997 Cleveland A61B 46/10
206/316.1
- 6,026,244 A * 2/2000 Tanaka G02B 7/08
359/699
- D435,586 S * 12/2000 Kunihiro D18/40
- 6,270,266 B1 * 8/2001 Fukuda G03B 17/14
396/529
- 6,876,503 B1 * 4/2005 Weaver A61B 46/10
359/510
- D505,147 S * 5/2005 Koren D16/136
- D649,993 S * 12/2011 Ding D16/134
- D721,750 S * 1/2015 Teetzel D16/136
- D723,078 S * 2/2015 Nauli D16/131
- D723,600 S * 3/2015 Nauli D16/131

(Continued)

- (21) Appl. No.: **29/567,843**
- (22) Filed: **Jun. 13, 2016**
- (30) **Foreign Application Priority Data**
Dec. 11, 2015 (EM) 002907030
- (51) **LOC (11) Cl.** **16-06**
- (52) **U.S. Cl.**
USPC **D16/131**
- (58) **Field of Classification Search**
USPC D16/217, 218, 219, 245, 208, 130–136
CPC G02B 7/00; G02B 7/026; G02B 27/0018;
G03B 11/06; G03B 11/04
See application file for complete search history.

Primary Examiner — Sheryl Lane
Assistant Examiner — Jennifer M Campbell
 (74) *Attorney, Agent, or Firm* — Walter Ottesen, P.A.

(57) **CLAIM**

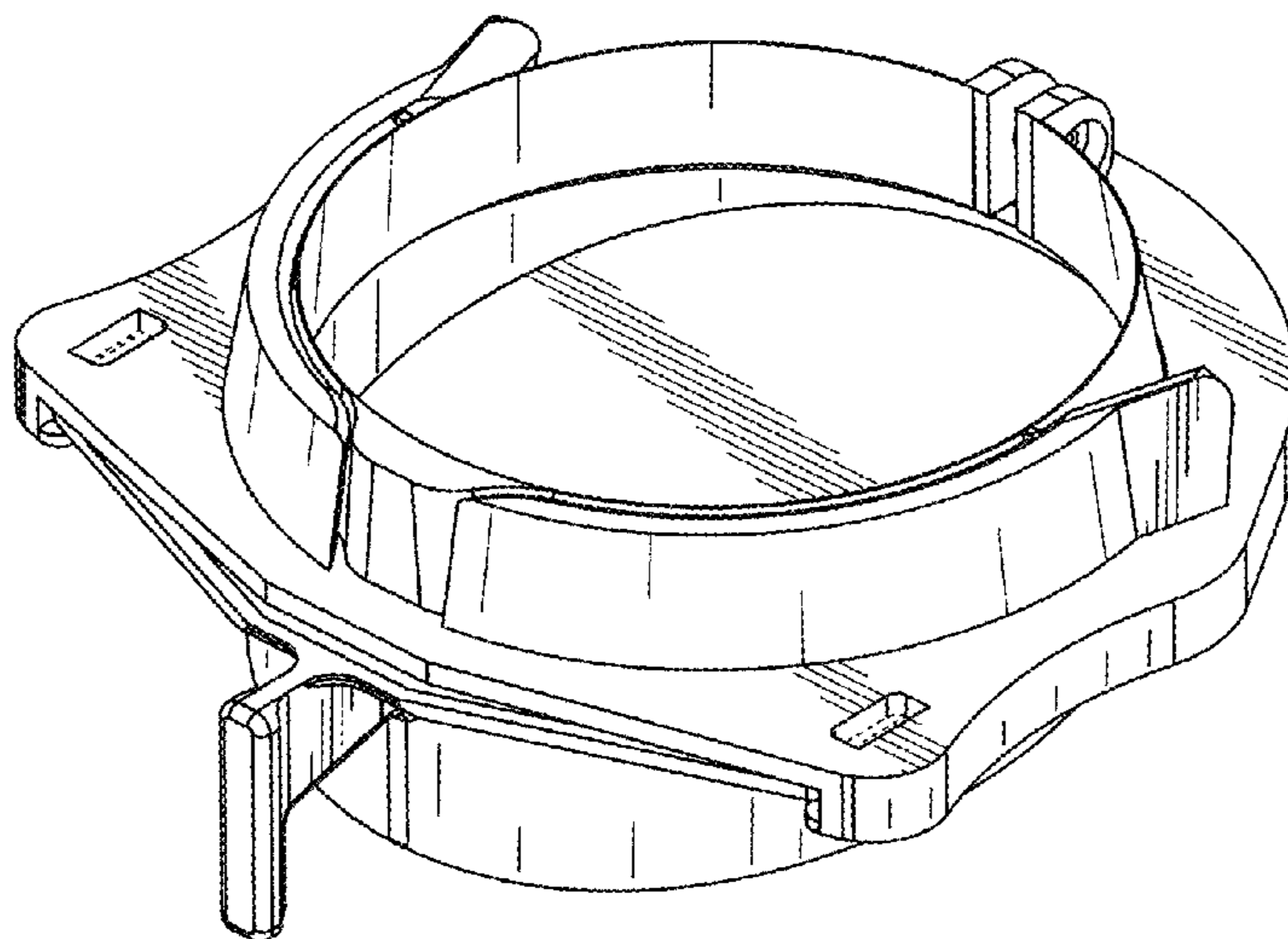
The ornamental design for a drape ring, as shown and described.

DESCRIPTION

FIG. 1 is a top perspective view of a drape ring of our new design;
 FIG. 2 is a bottom perspective view of the drape ring of FIG. 1;
 FIG. 3 is a top plan view of the drape ring of FIG. 1;
 FIG. 4 is a bottom plan view of the drape ring of FIG. 1;
 FIG. 5 is a front elevation view of the drape ring of FIG. 1;
 FIG. 6 is a rear elevation view of the drape ring of FIG. 1;
 FIG. 7 is a left side elevation view of the drape ring of FIG. 1; and,
 FIG. 8 is a right side elevation view of the drape ring of FIG. 1.
 The broken lines depict portions of the drape ring and form no part of the claimed design.

- (56) **References Cited**
U.S. PATENT DOCUMENTS
- D198,141 S * 5/1964 Armbruster D16/131
- D198,142 S * 5/1964 Armbruster D16/131
- D235,578 S * 6/1975 Osaka D16/136
- D252,833 S * 9/1979 Bowser D26/85
- 4,307,950 A * 12/1981 Suzuki G03B 3/02
359/826
- D339,599 S * 9/1993 Tiffen D16/219
- 5,311,358 A * 5/1994 Pederson A61B 46/10
206/316.1

1 Claim, 4 Drawing Sheets



(56)

References Cited

U.S. PATENT DOCUMENTS

2004/0190140 A1* 9/2004 Bala A61B 46/10
359/510
2005/0094269 A1* 5/2005 Moses A61B 46/10
359/510
2005/0286130 A1* 12/2005 Bala G02B 7/001
359/510
2008/0144178 A1* 6/2008 Dillon A61B 46/10
359/510
2010/0238551 A1* 9/2010 Hubbs G02B 7/026
359/510
2017/0168292 A1* 6/2017 Koenig G02B 27/0006

* cited by examiner

FIG. 1

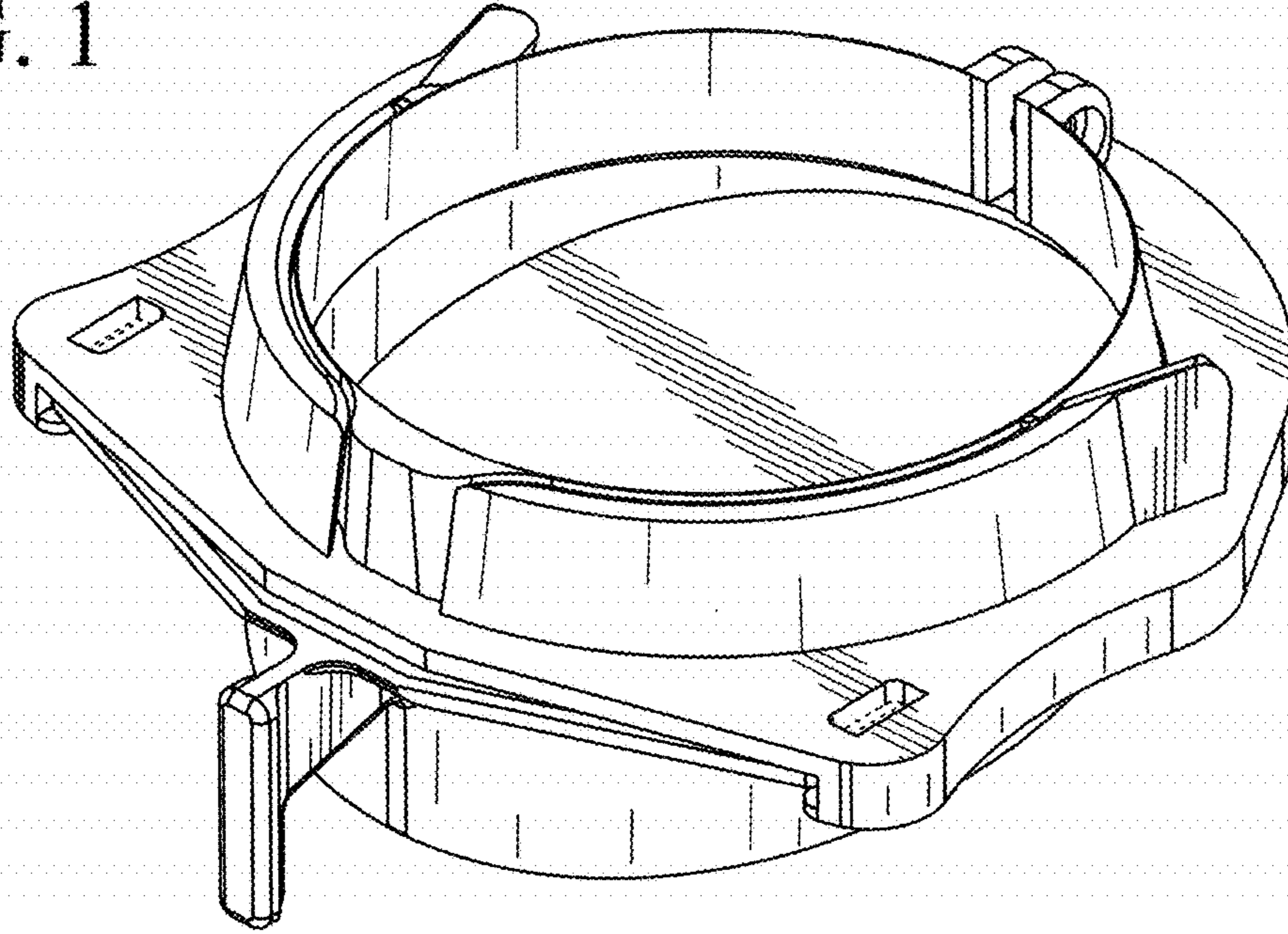
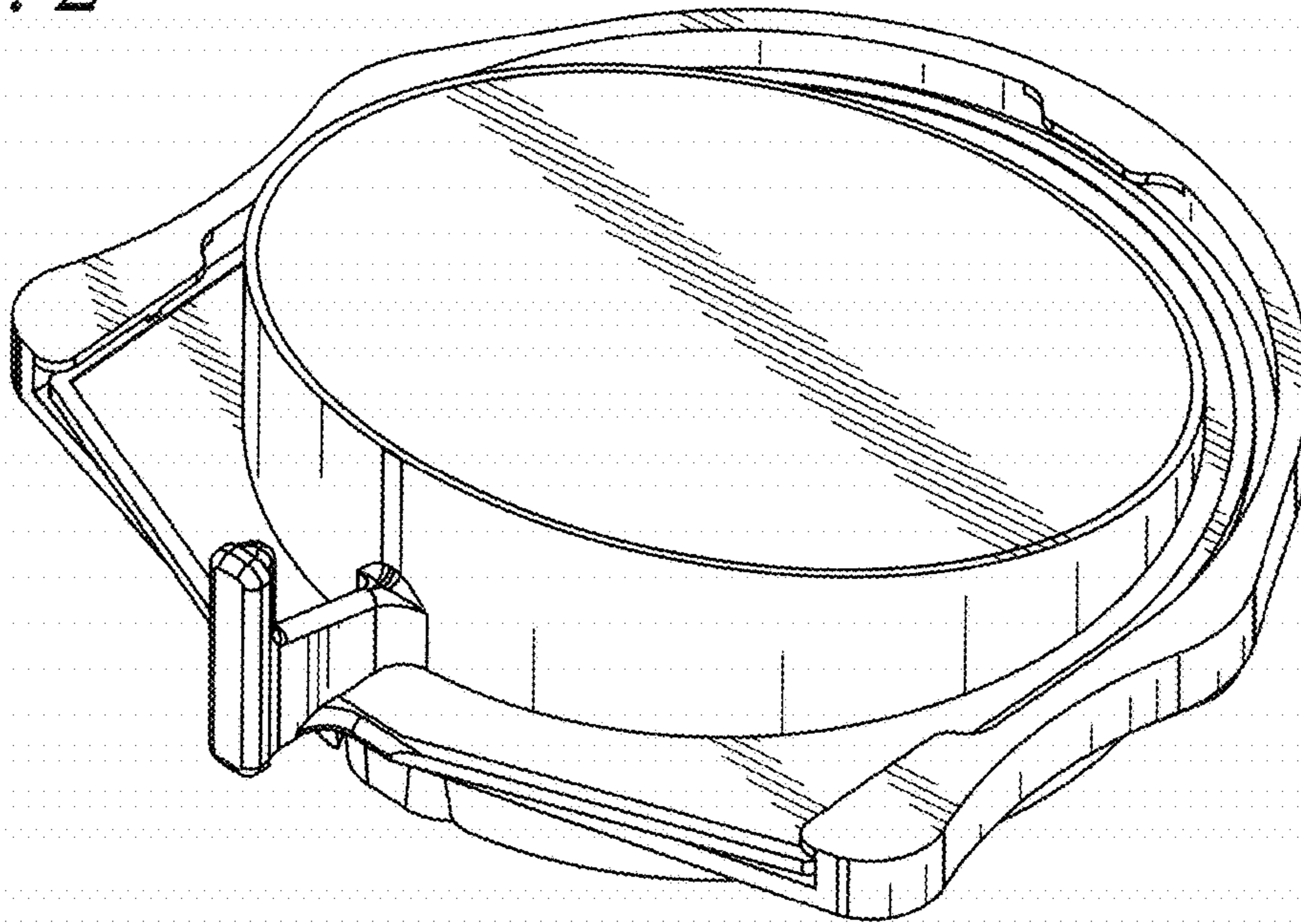


FIG. 2



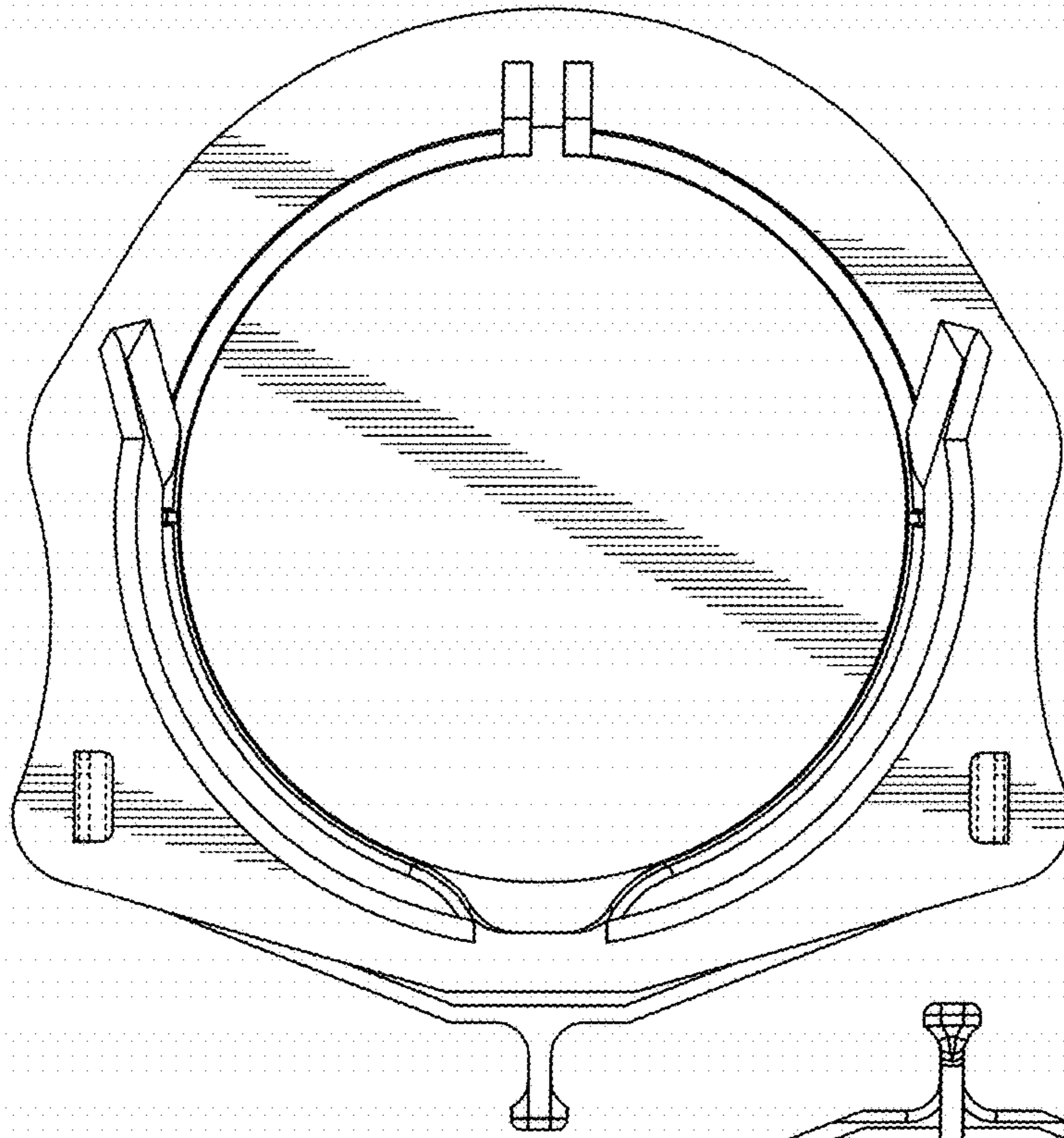


FIG. 3

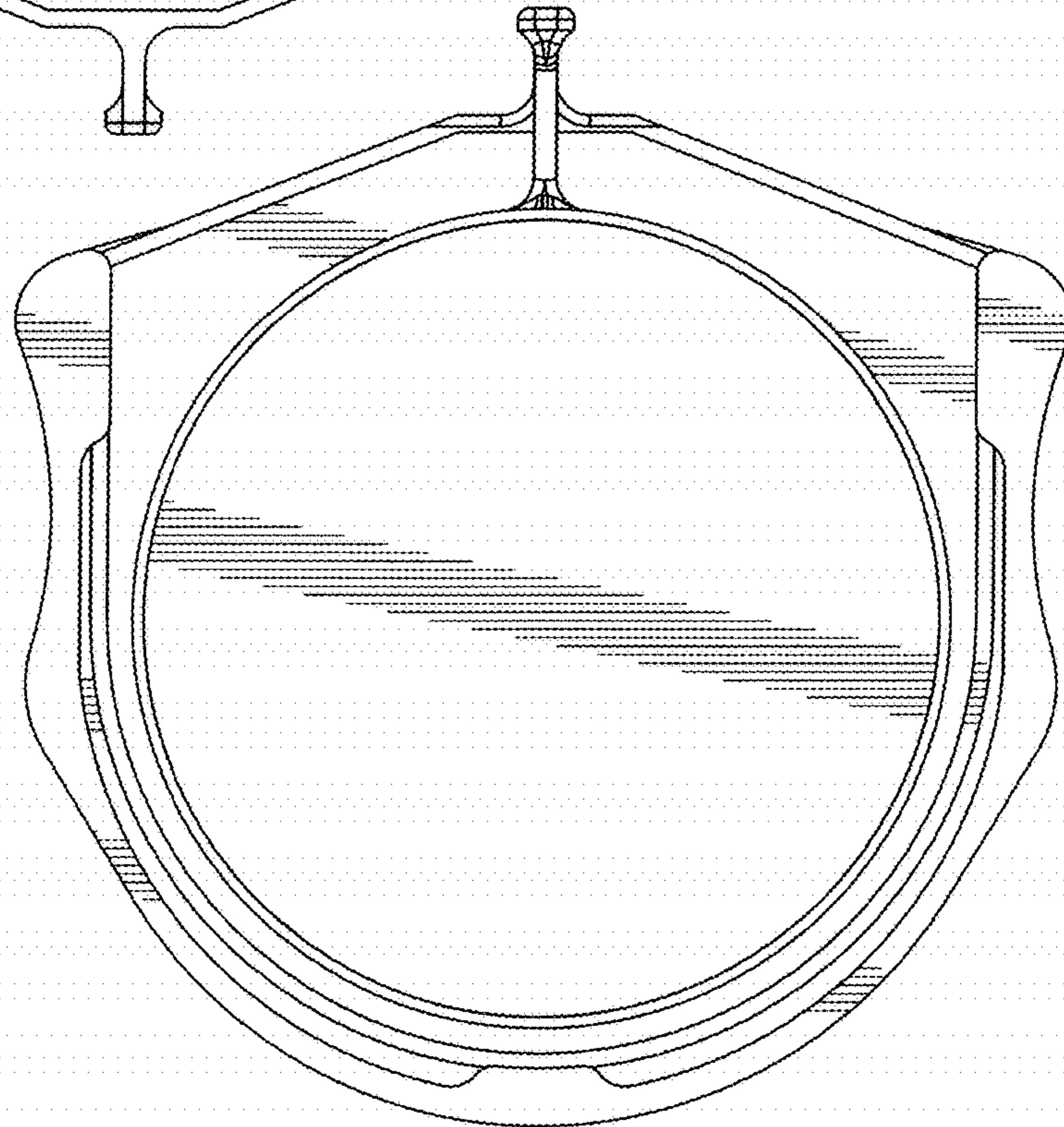


FIG. 4

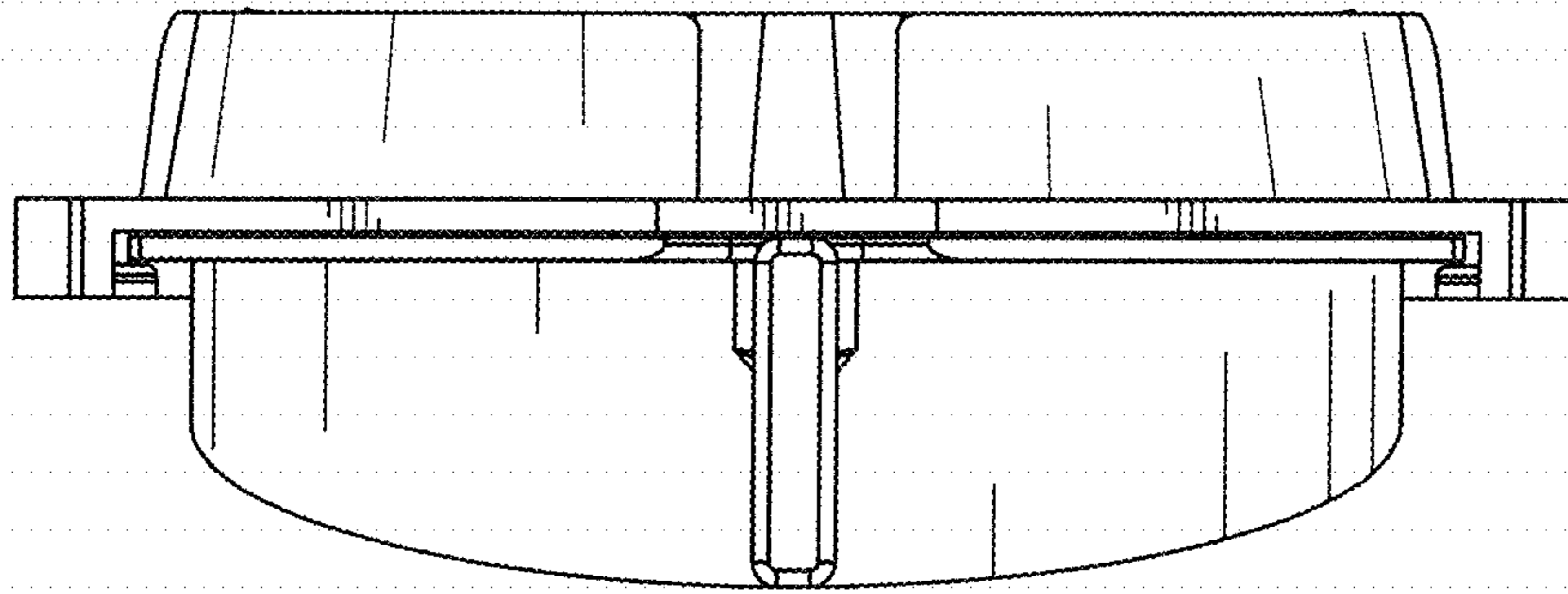


FIG. 5

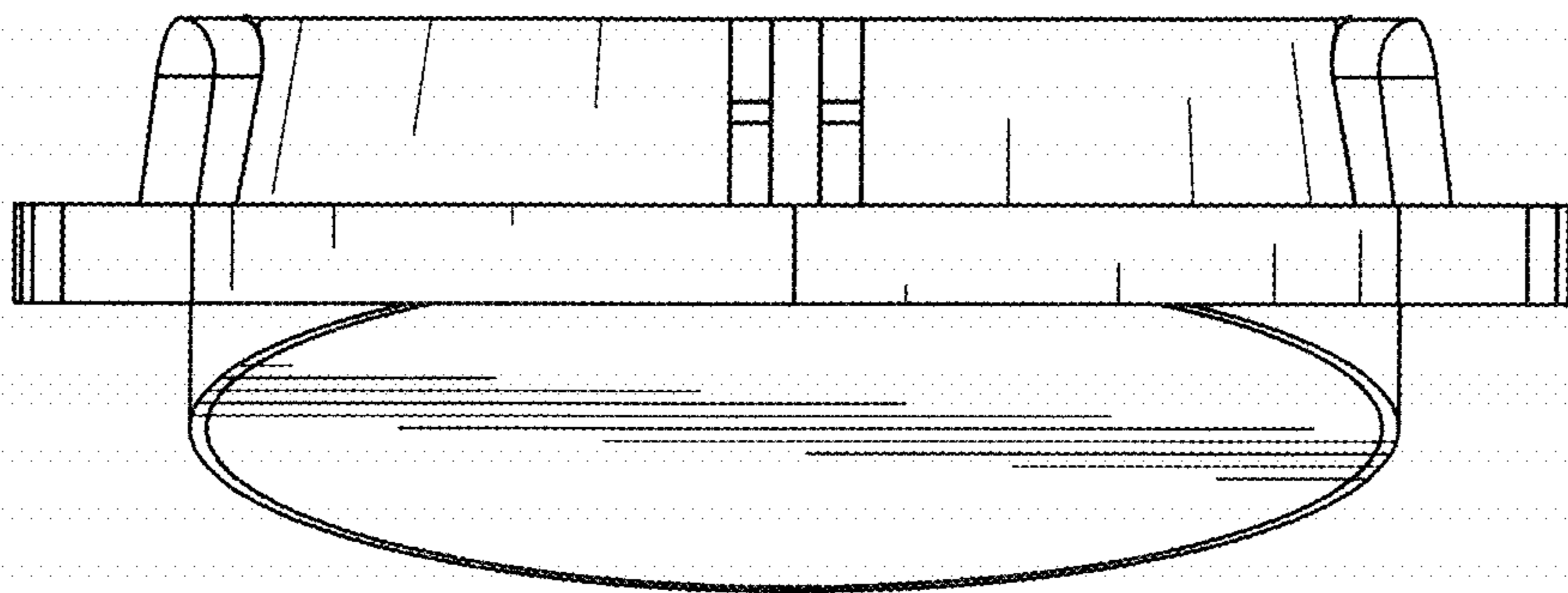


FIG. 6

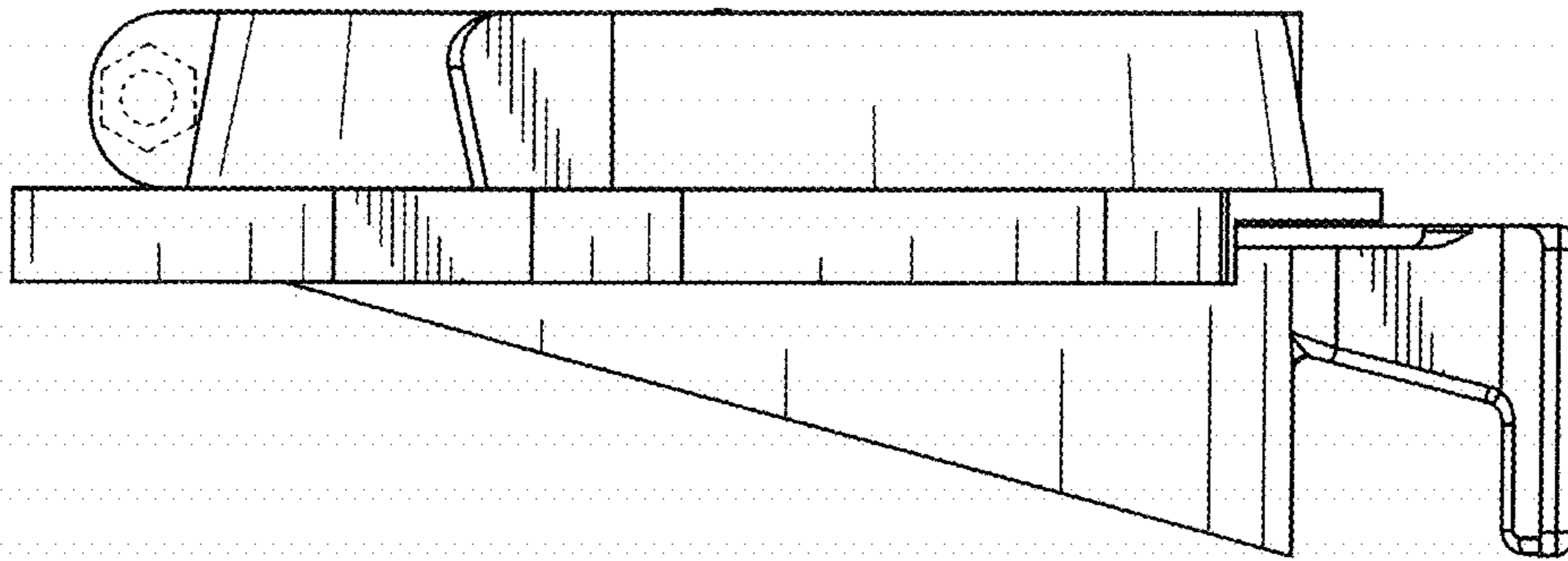


FIG. 7

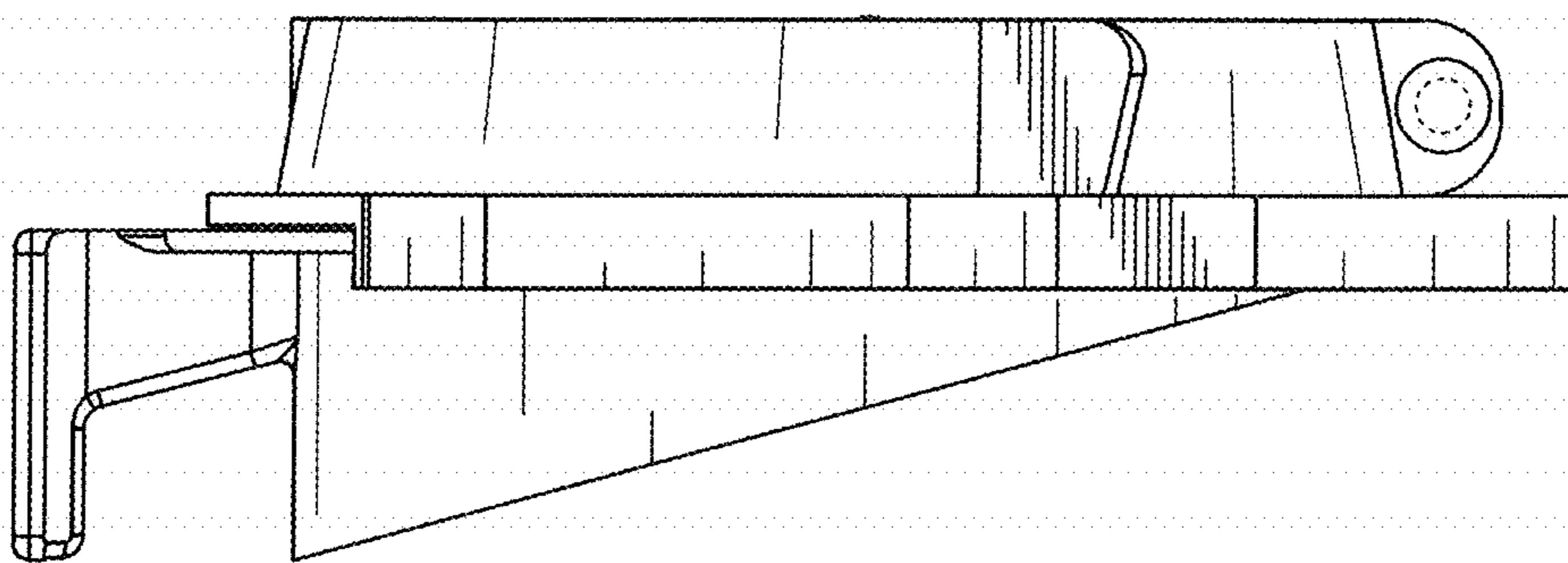


FIG. 8