



US00D816138S

(12) **United States Design Patent**
Schulnig

(10) **Patent No.:** **US D816,138 S**

(45) **Date of Patent:** **** Apr. 24, 2018**

(54) **GRIPPER FOR FILLING MACHINE**

(71) Applicant: **Tyrolon-Schulnig GmbH**, Hochfilzen (AT)

(72) Inventor: **Elmar Schulnig**, Fieberbrunn (AT)

(73) Assignee: **Tyrolon-Schulnig GmbH**, Hochfilzen (AT)

(**) Term: **15 Years**

(21) Appl. No.: **29/600,108**

(22) Filed: **Apr. 10, 2017**

(30) **Foreign Application Priority Data**

Oct. 10, 2016 (EM) 003413467-0001

(51) **LOC (11) Cl.** **15-99**

(52) **U.S. Cl.**
USPC **D15/199**

(58) **Field of Classification Search**
USPC D15/199; D21/578-583, 621, 622
CPC ... B25J 5/00; B25J 5/007; B25J 9/0006; B25J 19/0016; Y10S 901/01; Y10S 901/19; Y10S 901/27

See application file for complete search history.

(56) **References Cited**

U.S. PATENT DOCUMENTS

D274,182 S *	6/1984	Kato	D15/122
D289,406 S *	4/1987	Shibayama	D15/122
D292,981 S *	12/1987	Skoog	D15/122
D298,834 S *	12/1988	Jones	D15/122
D343,630 S *	1/1994	Tomiyama	D15/199
D410,660 S *	6/1999	Kawaguchi	D15/199
D433,042 S *	10/2000	Kawahara	D15/199
D452,517 S *	12/2001	Kawaguchi	D15/199
D503,943 S *	4/2005	Kawaguchi	D15/199
D572,739 S *	7/2008	Jennings	D15/199

7,559,590 B1 *	7/2009	Jones	B25J 19/0025 294/2
D622,299 S *	8/2010	Liu	D15/199
D645,488 S *	9/2011	Miyake	D15/199
D711,061 S *	8/2014	Chen	D34/29
D718,160 S *	11/2014	Shimano	D10/65
D764,557 S *	8/2016	Yamada	D15/199
D782,553 S *	3/2017	Goto	D15/199
D790,618 S *	6/2017	Ke	D15/199
2011/0147103 A1 *	6/2011	Alfayad	B25J 17/0283 180/8.5

(Continued)

Primary Examiner — Patricia A Palasik

(74) *Attorney, Agent, or Firm* — Muncy, Geissler, Olds & Lowe, P.C.

(57) **CLAIM**

The ornamental design for a gripper for a filling machine, as shown and described.

DESCRIPTION

FIG. 1 is a front perspective view of a gripper for a filling machine according to the present invention.

FIG. 2 is a rear perspective view of the gripper for the filling machine of FIG. 1.

FIG. 3 is a front view of the gripper for the filling machine of FIG. 1.

FIG. 4 is a rear view of the gripper for the filling machine of FIG. 1.

FIG. 5 is a left side view of the gripper for the filling machine of FIG. 1.

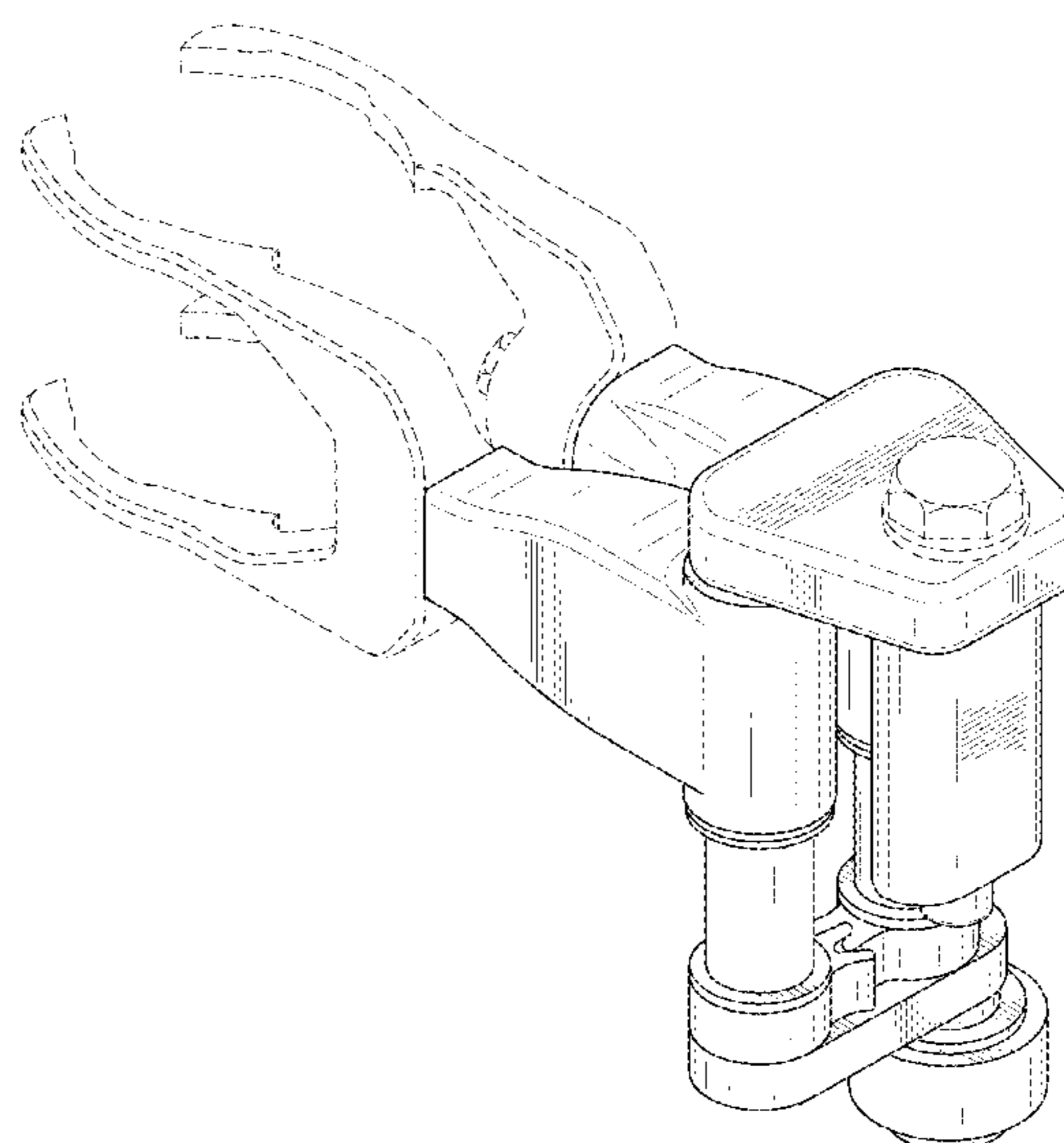
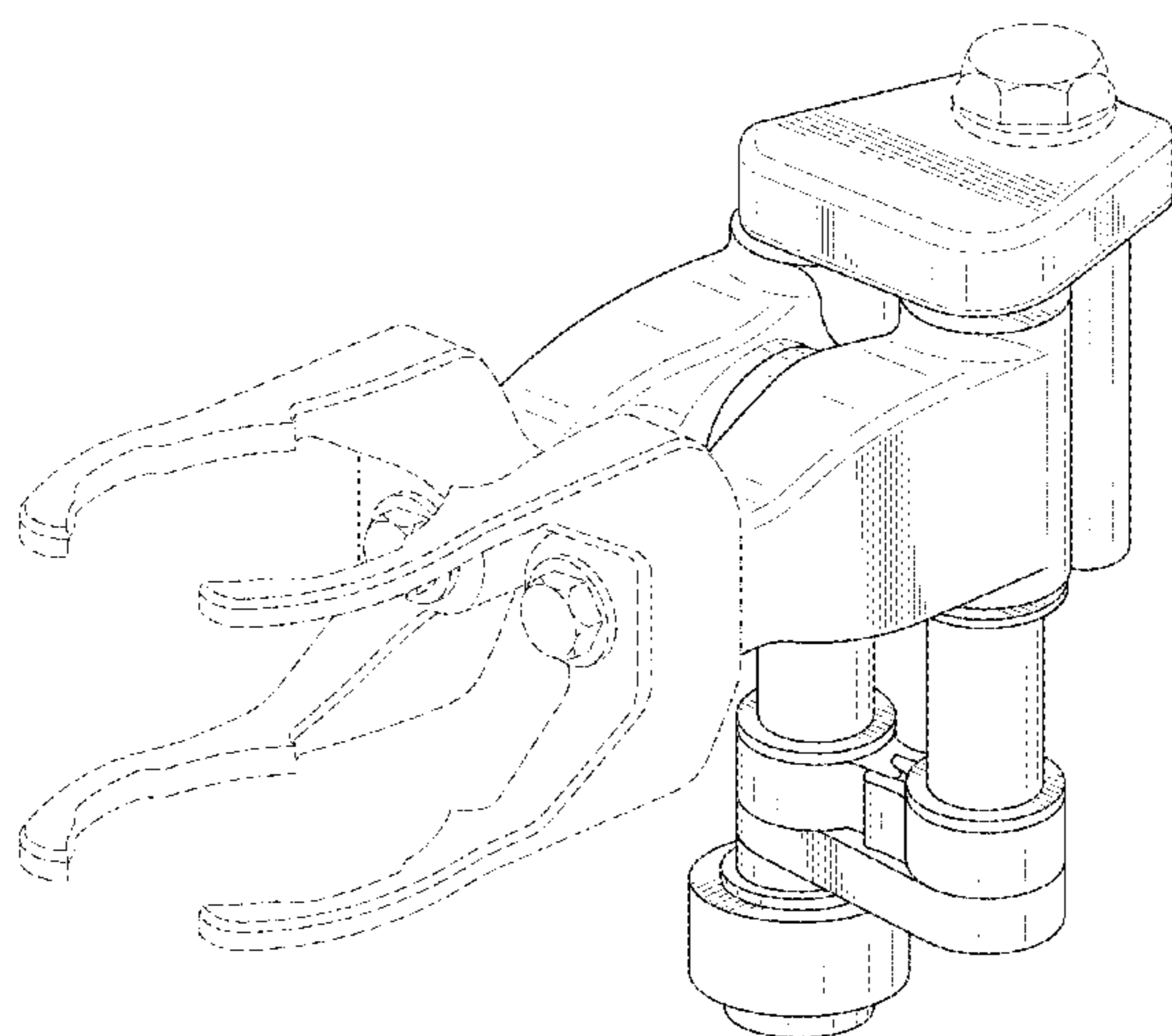
FIG. 6 is a right side view of the gripper for the filling machine of FIG. 1.

FIG. 7 is a top view of the gripper for the filling machine of FIG. 1; and,

FIG. 8 is a bottom view of the gripper for the filling machine of FIG. 1.

The dashed lines illustrate environment that does not form a part of the present invention, and no claim is made to the material illustrated with dashed lines.

1 Claim, 8 Drawing Sheets



(56)

References Cited

U.S. PATENT DOCUMENTS

2014/0366674 A1* 12/2014 Swartz B25J 18/00
74/490.05
2016/0107317 A1* 4/2016 Hashimoto B25J 9/042
414/744.2
2017/0173789 A1* 6/2017 Kilibarda B25J 15/0033
2017/0217023 A1* 8/2017 Smith B25J 15/0066
2018/0036892 A1* 2/2018 Berns B25J 15/0616

* cited by examiner

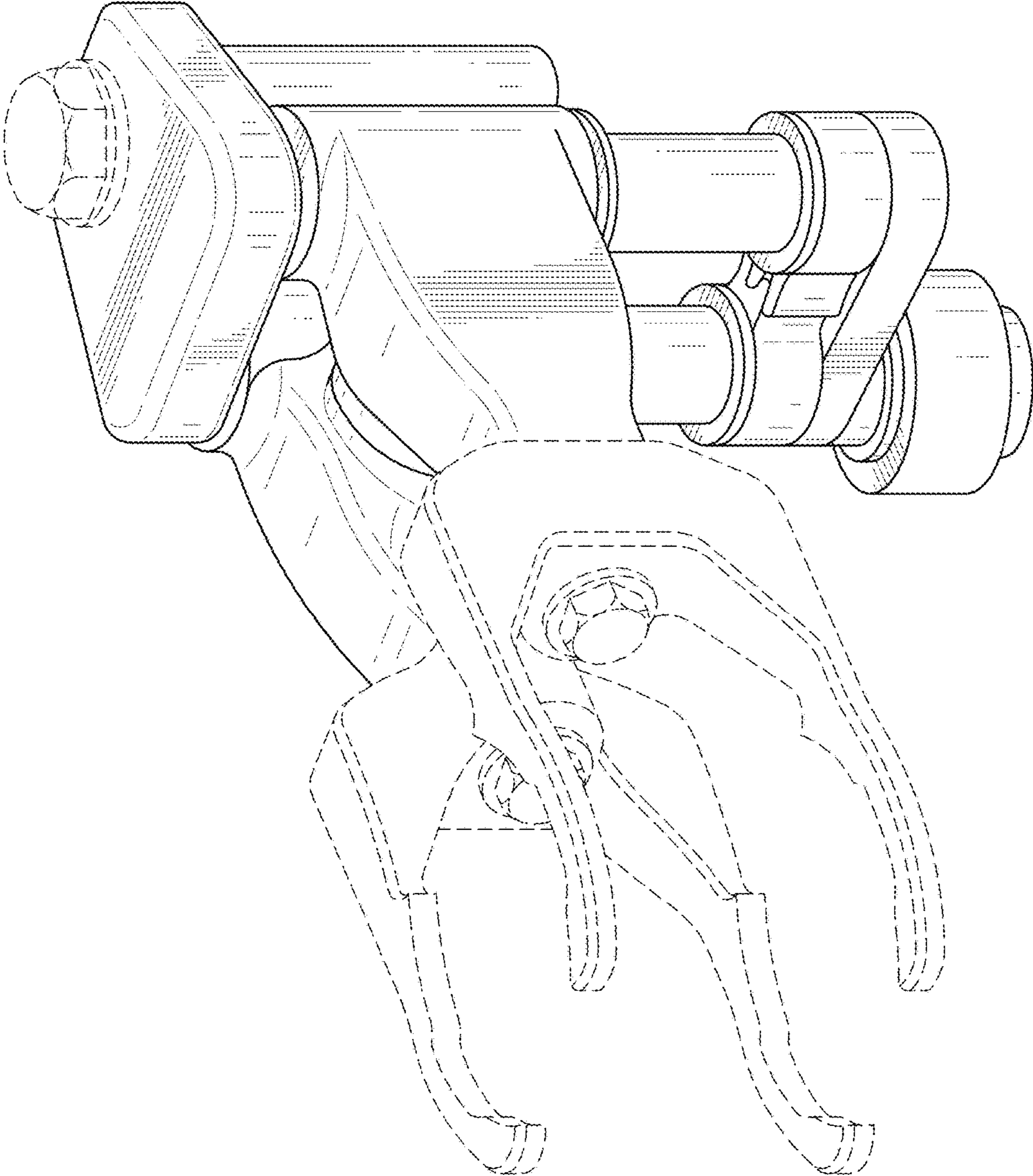


FIG.1

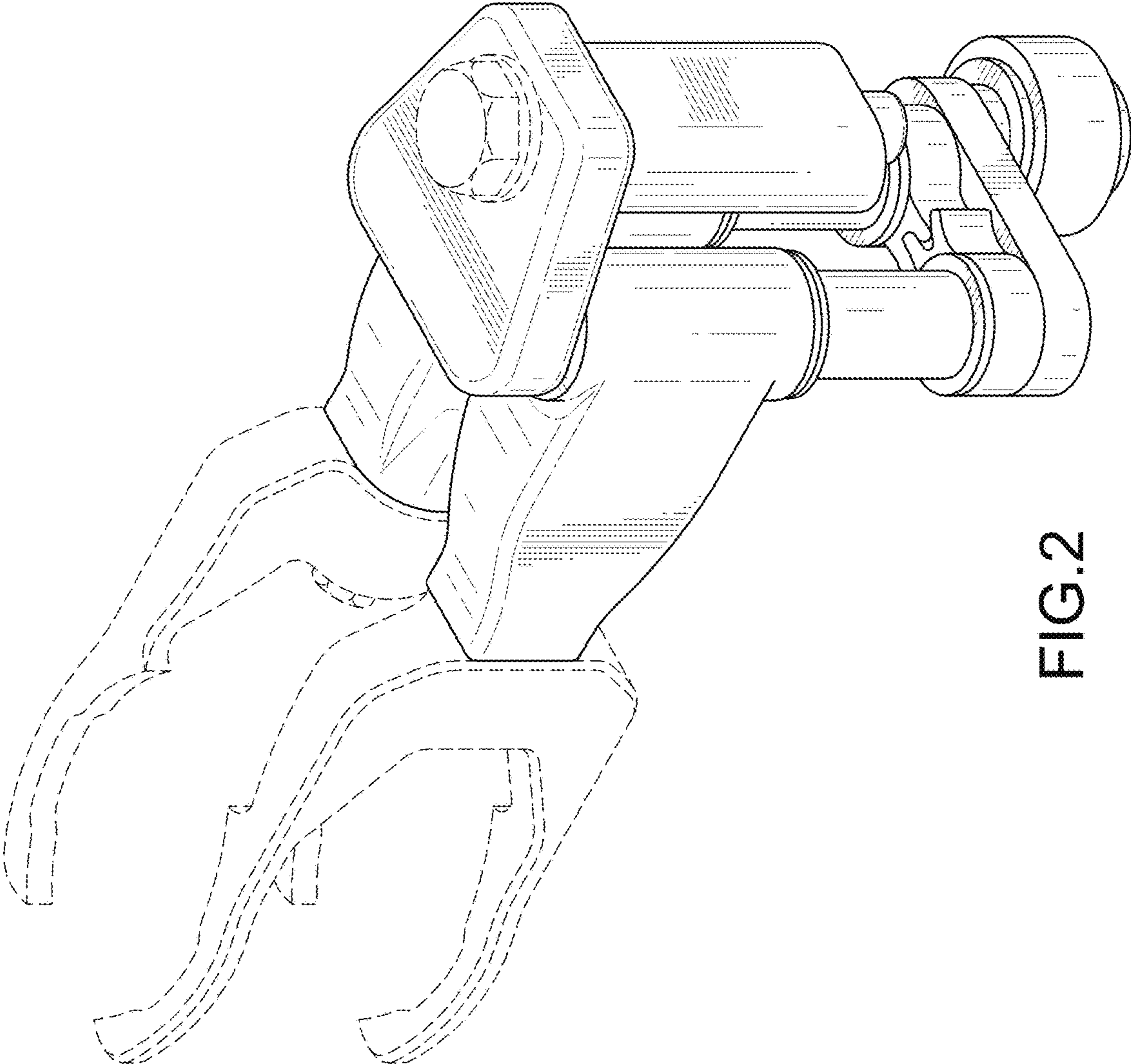


FIG.2

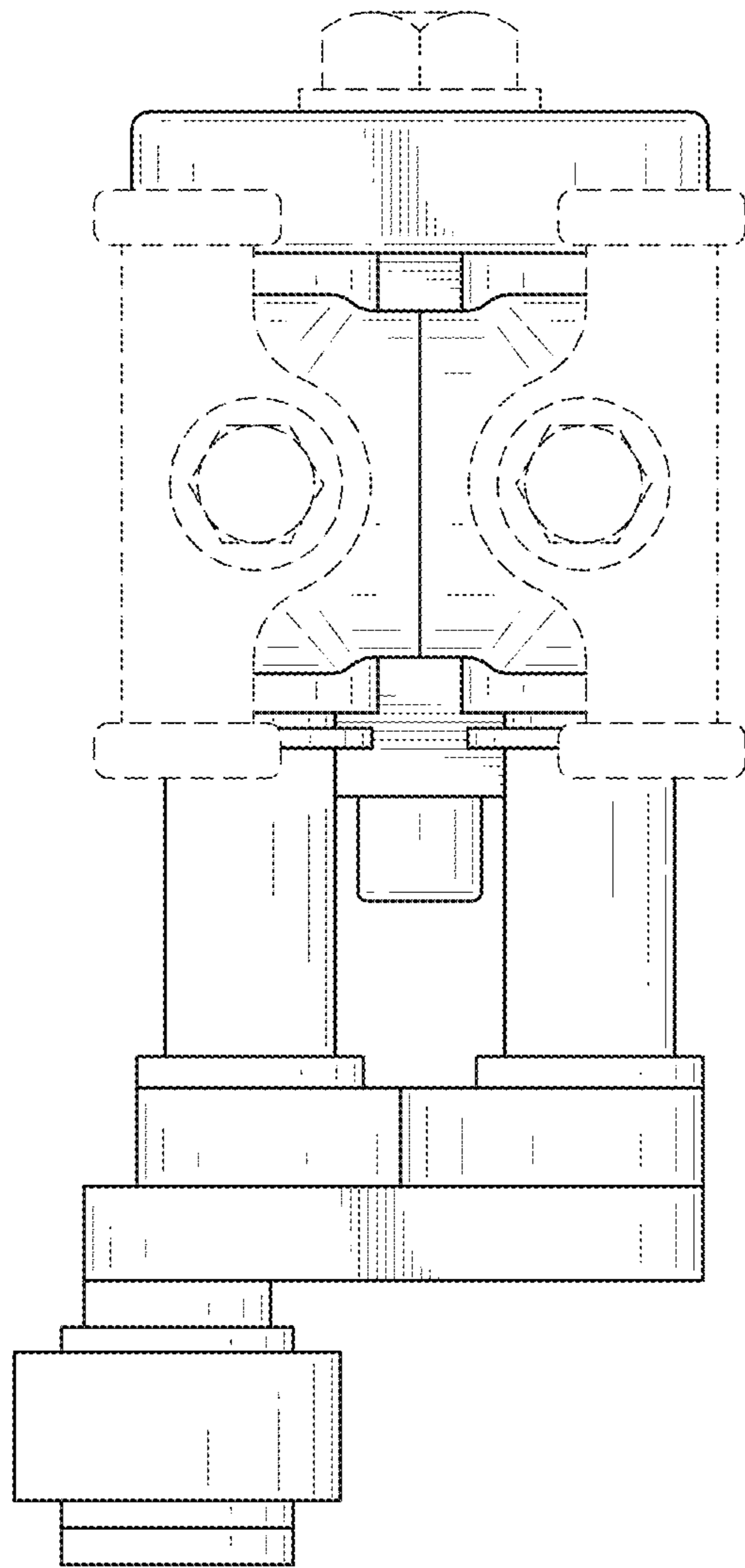


FIG.3

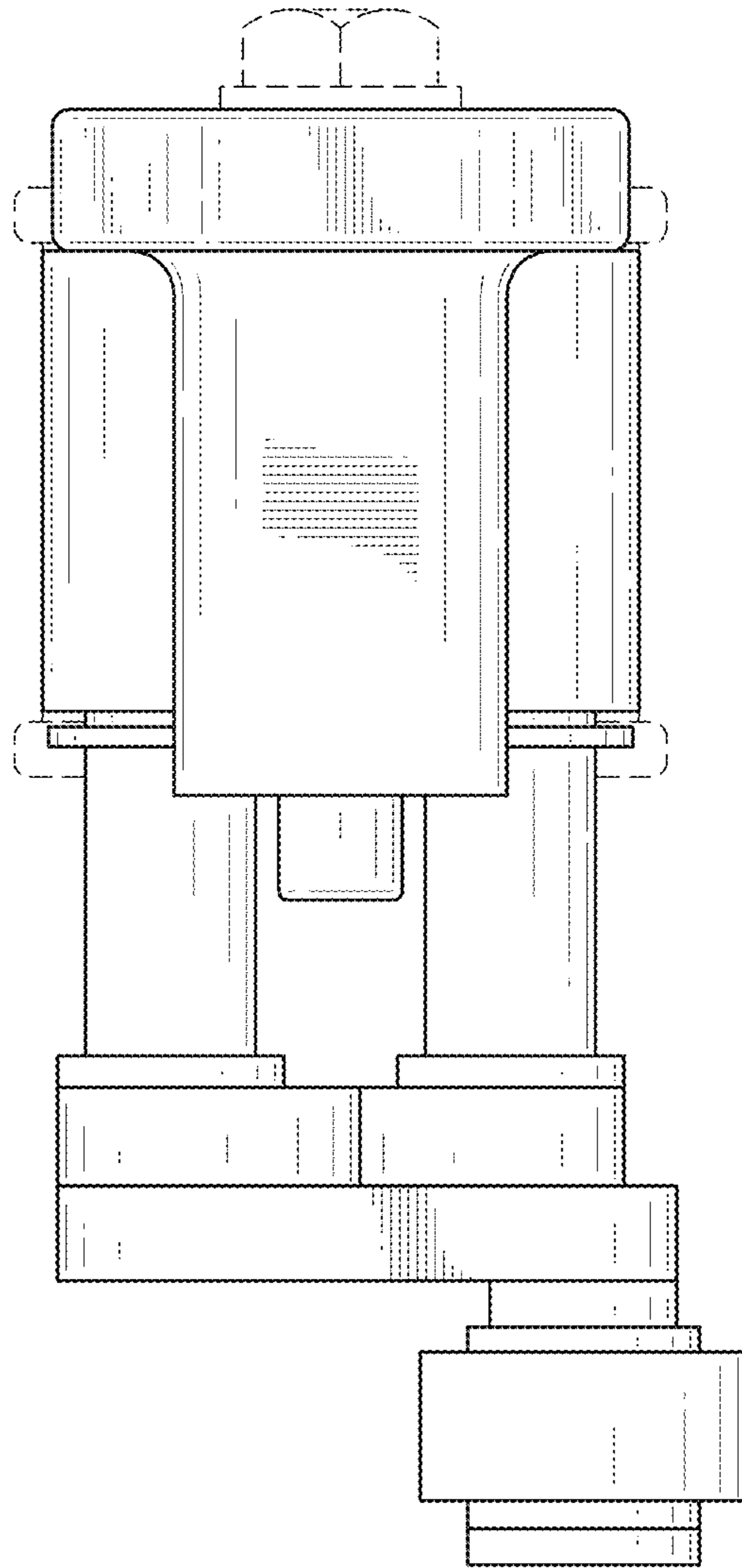


FIG.4

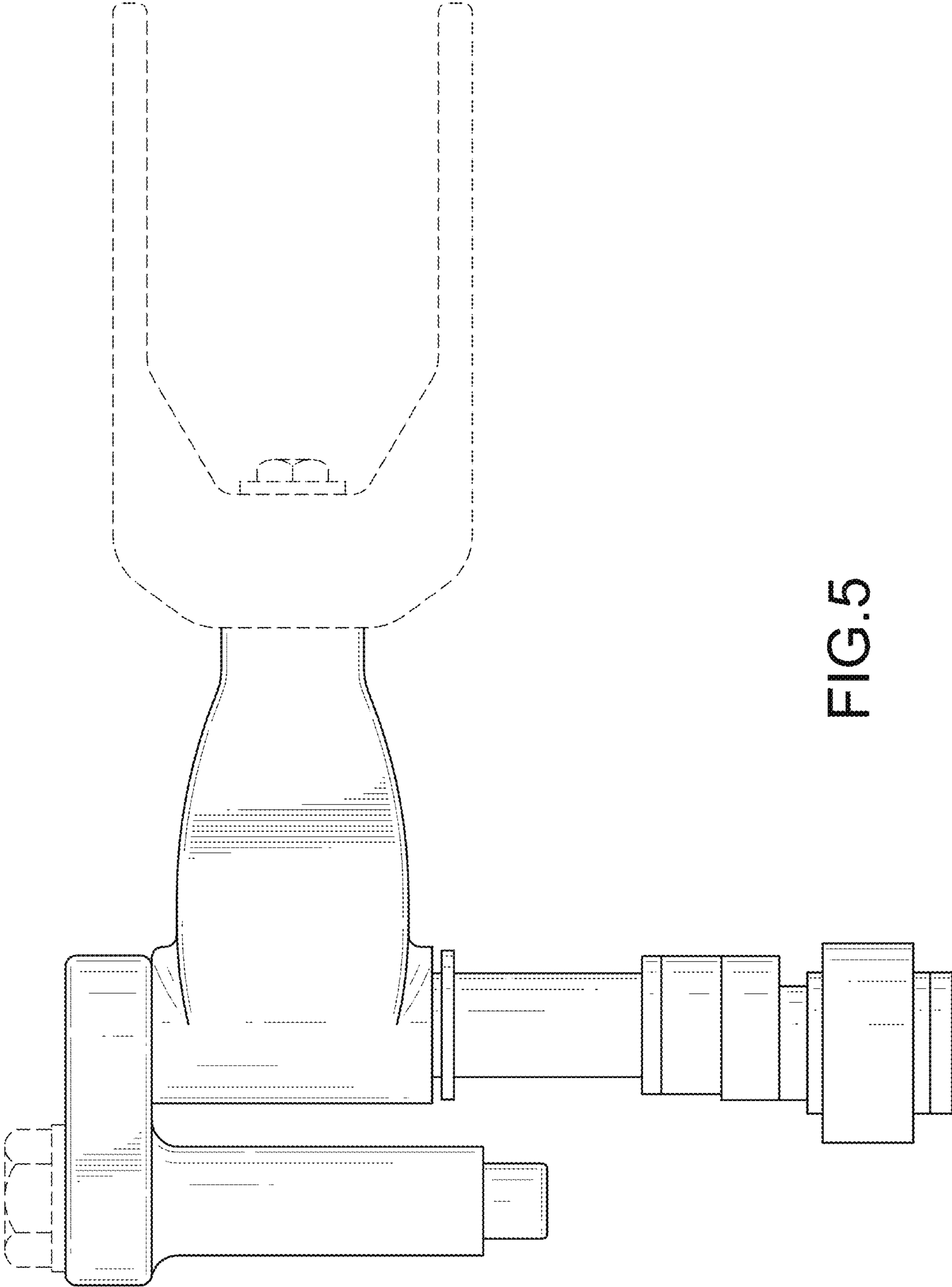


FIG. 5

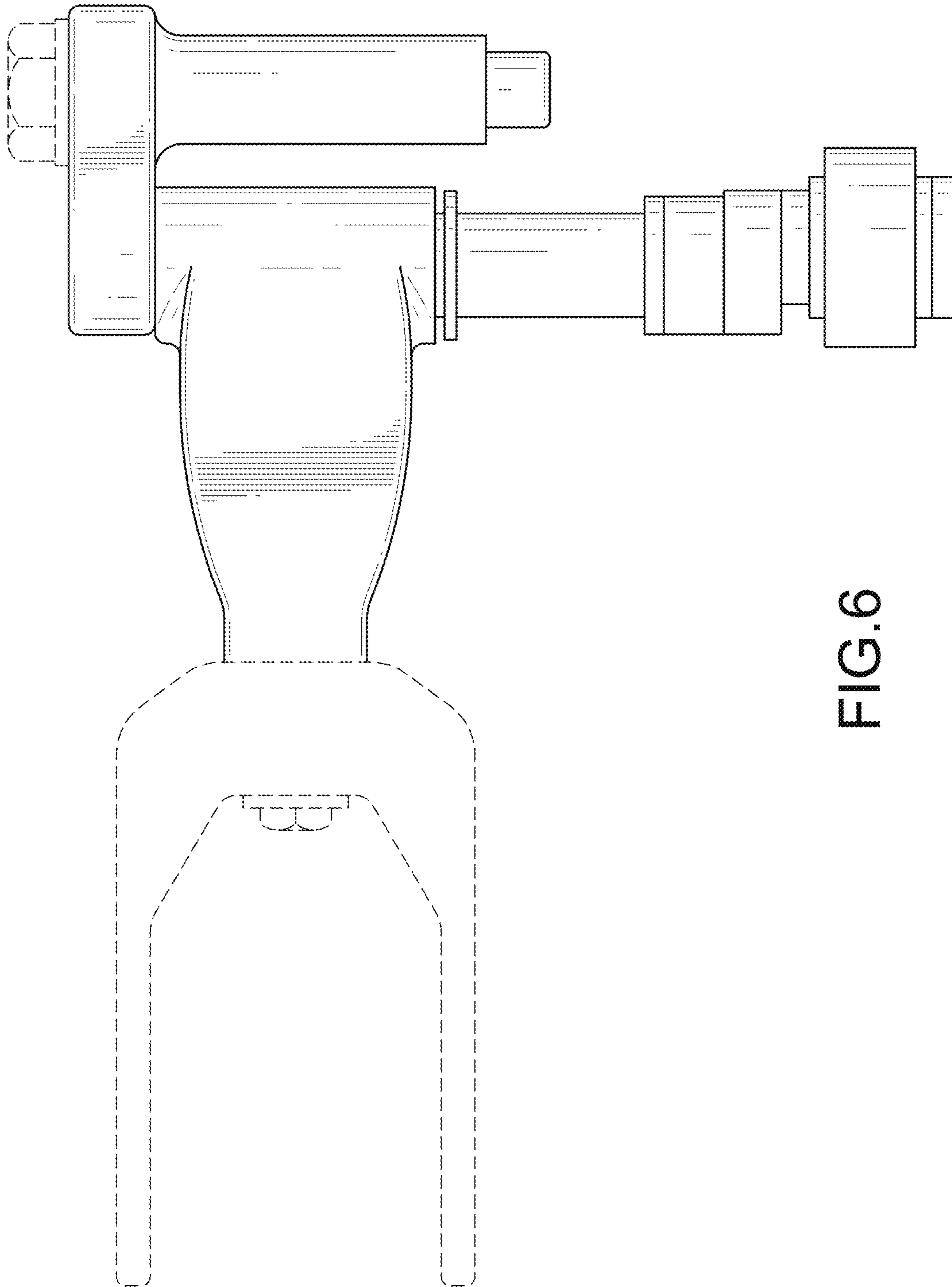


FIG. 6

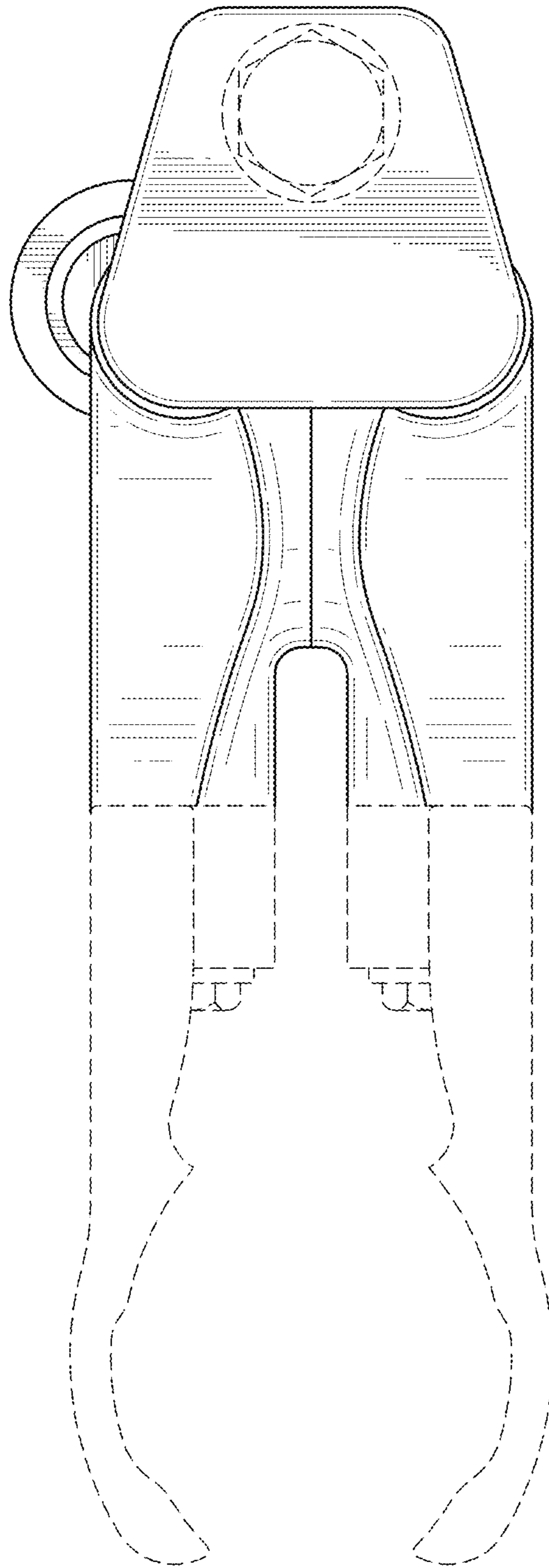


FIG.7

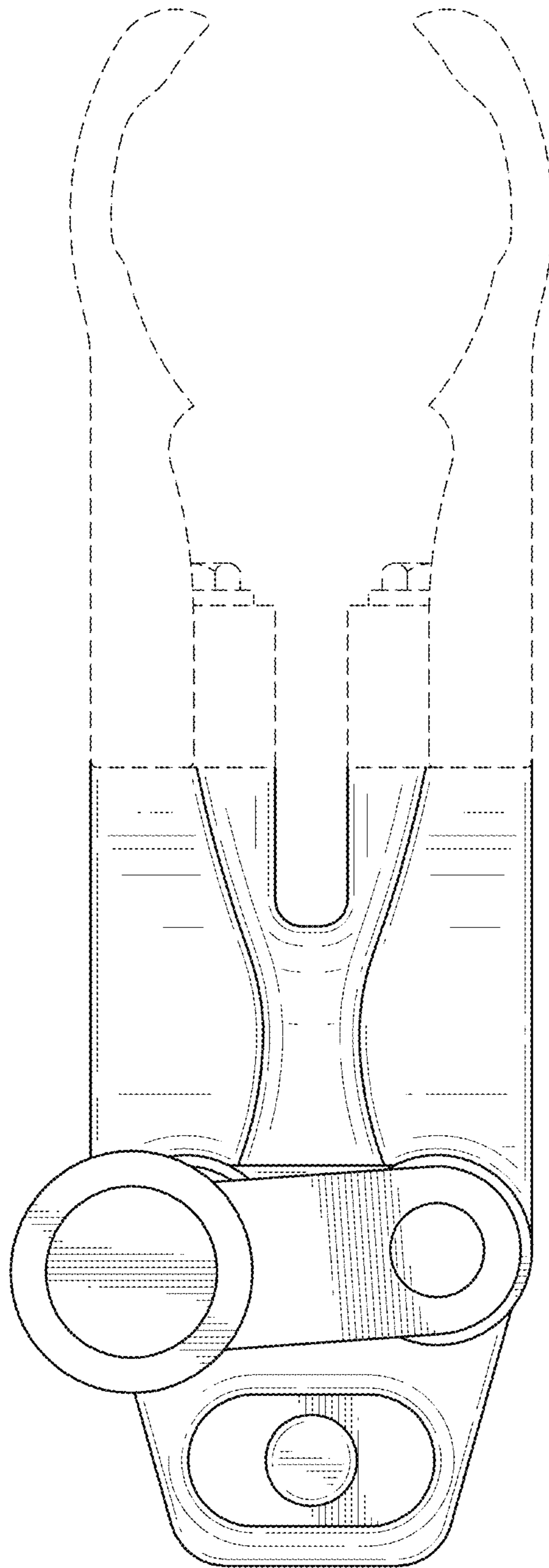


FIG. 8