



US00D816135S

(12) **United States Design Patent** (10) **Patent No.:** **US D816,135 S**
Walker (45) **Date of Patent:** **** Apr. 24, 2018**

- (54) **SPOKED SOLDER PAD**
- (71) Applicant: **Myron Walker**, Redmond, WA (US)
- (72) Inventor: **Myron Walker**, Redmond, WA (US)
- (**) Term: **14 Years**
- (21) Appl. No.: **29/512,592**
- (22) Filed: **Dec. 19, 2014**
- (51) **LOC (11) Cl.** **15-09**
- (52) **U.S. Cl.**
USPC **D15/144**
- (58) **Field of Classification Search**
USPC D10/46, 75; D14/435, 436, 437, 438;
D15/144, 144.1, 144.2
CPC H01L 24/05; H01L 2224/05555; H01L
2224/05557; H01L 2224/05551; H01L
2224/05563; H05K 1/181; H05K 1/111
See application file for complete search history.

- (56) **References Cited**
U.S. PATENT DOCUMENTS
D571,810 S * 6/2008 Ikeda D14/437
7,902,666 B1 3/2011 Hsu et al.
D701,864 S * 4/2014 Lepp D14/436
D702,240 S * 4/2014 Lepp D14/436

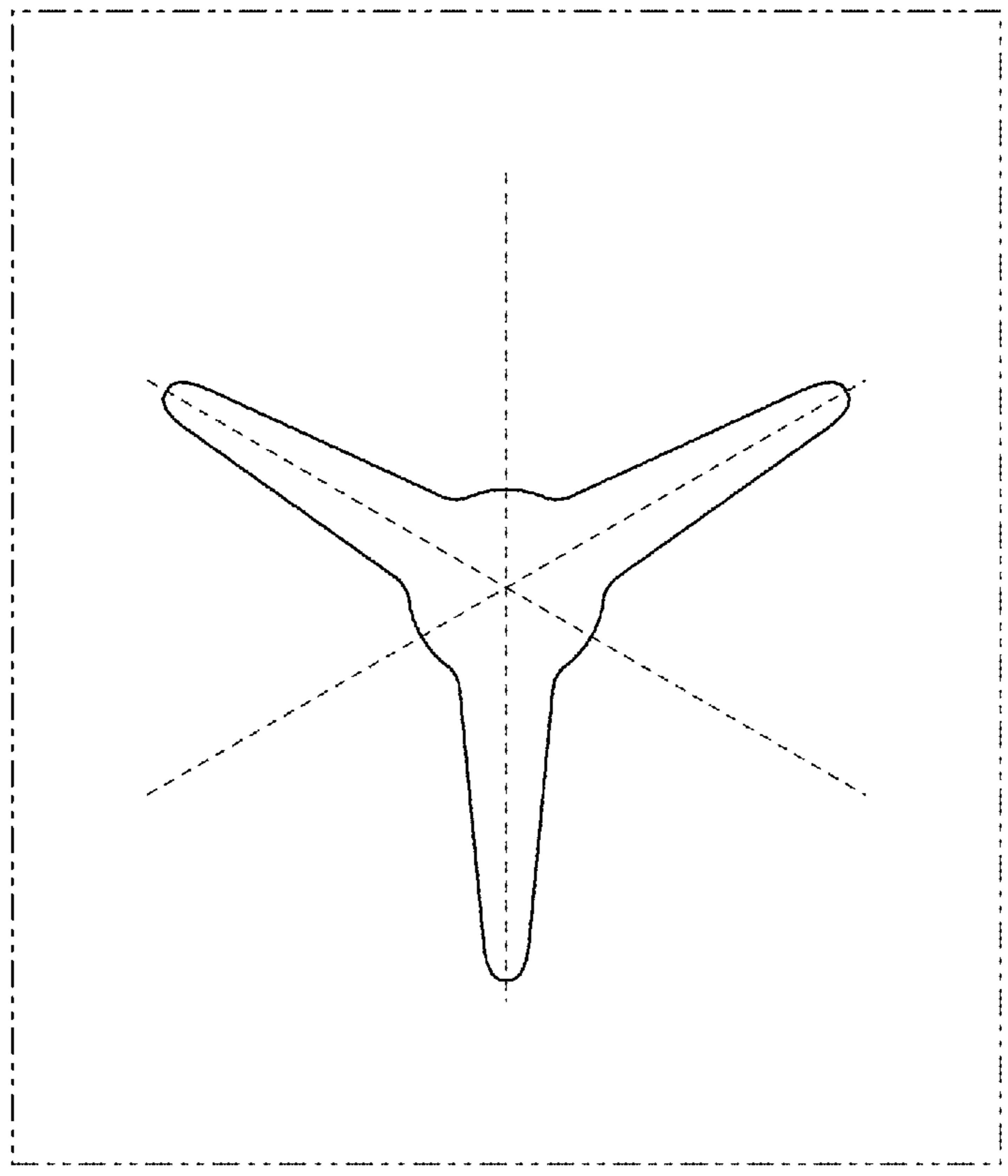
D702,241 S * 4/2014 Lepp D14/436
2009/0211087 A1 8/2009 Oggioni et al.
2011/0067911 A1 3/2011 Ishikawa et al.

* cited by examiner
Primary Examiner — Antoine Duval Davis
(74) *Attorney, Agent, or Firm* — AEON Law, PLLC;
Adam L. K. Philipp; David V. H. Cohen

(57) **CLAIM**
The ornamental design for a spoked solder pad, as shown and described.

DESCRIPTION
FIG. 1 is a top plan view of a solder pad with three or more solderable lobes, each solderable lobe symmetrically extending along a radial axis.
FIG. 2 is a top plan view of a solder pad with illustrative solder prefill on the solder pad as shown in FIG. 1.
FIG. 3 is a top plan view of a solder pad with illustrative solder prefill wetting along each radial axis when soldered; and,
FIG. 4 is a top plan view of a solder pad with illustrative integrated circuit elements in unused adjacent space.
Broken line illustrations of environmental structure in the drawings, including dashed line radial axes and integrated circuit package and/or circuit board outlines in FIGS. 1-3, and integrated circuit elements in FIG. 4, are provided for illustrative purposes only and form no part of the claimed design.

1 Claim, 4 Drawing Sheets



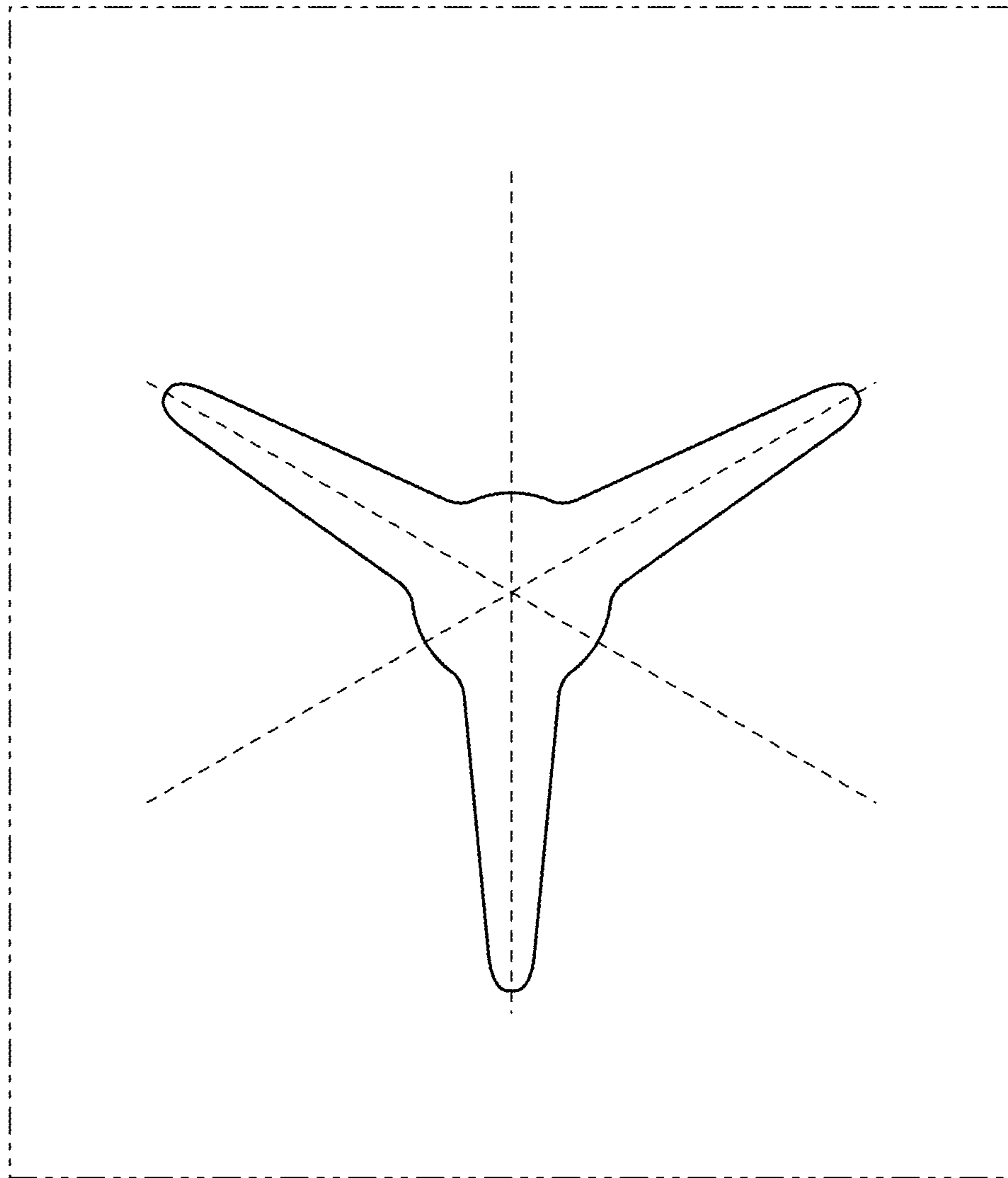


FIG. 1

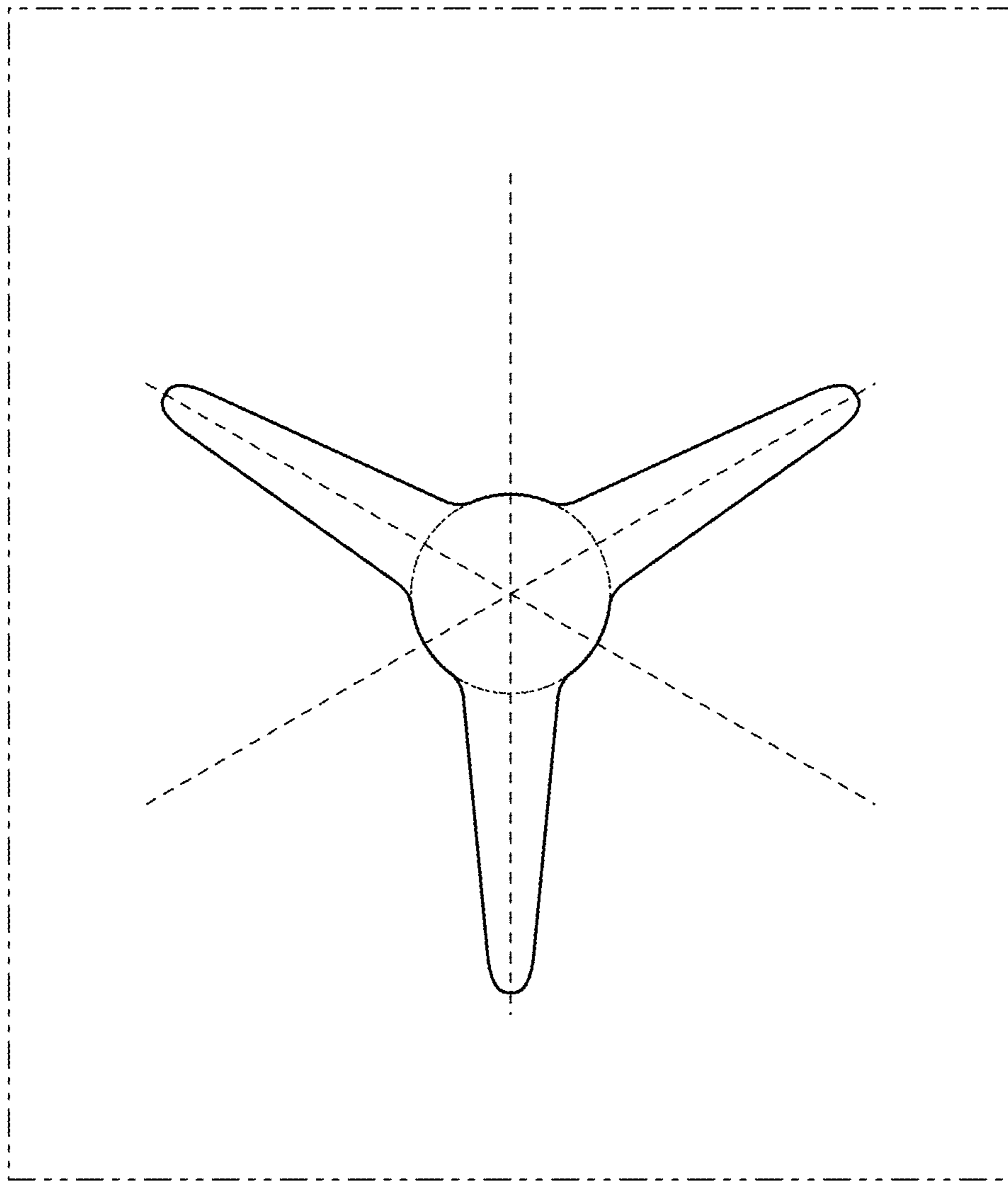


FIG. 2

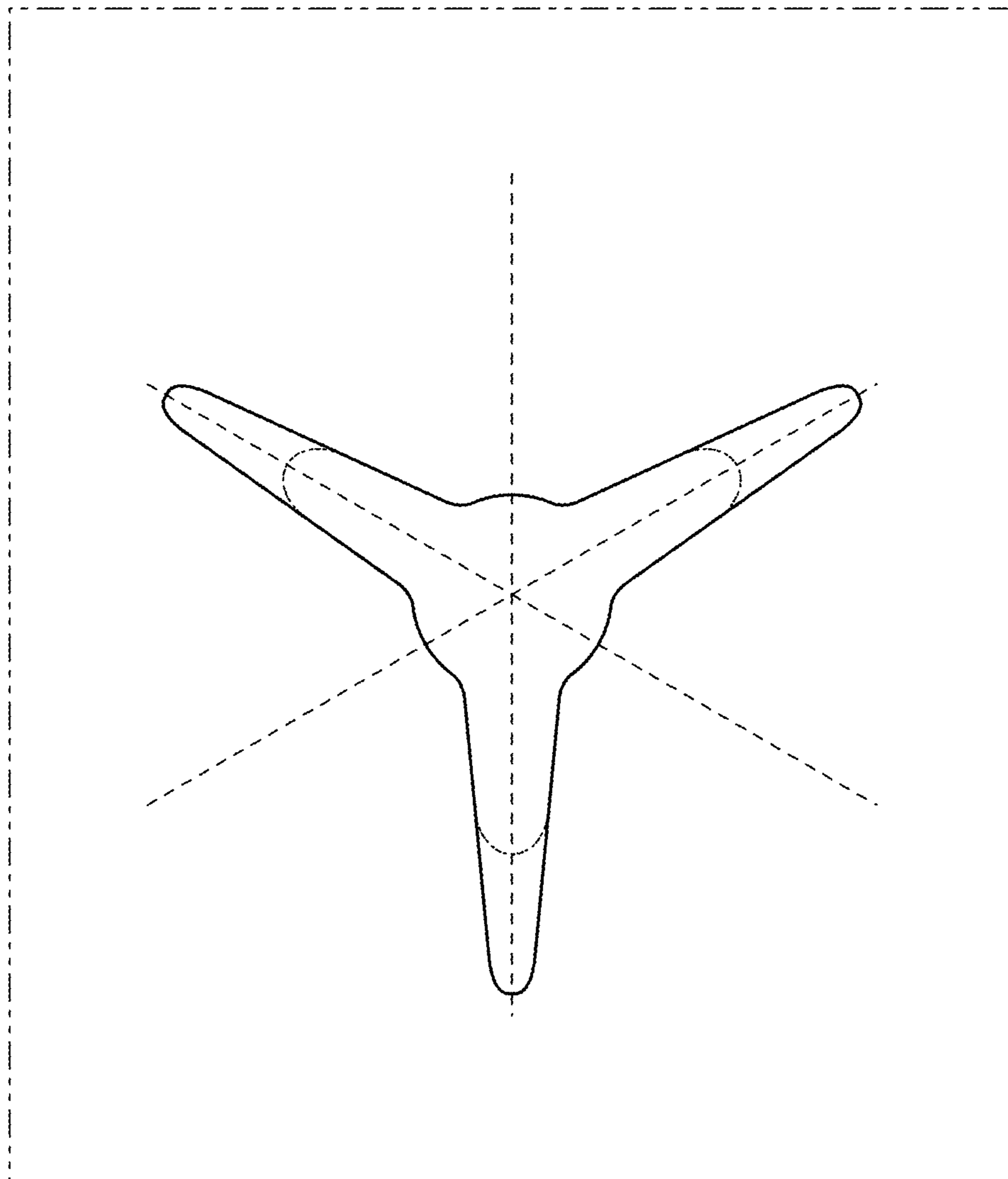


FIG. 3

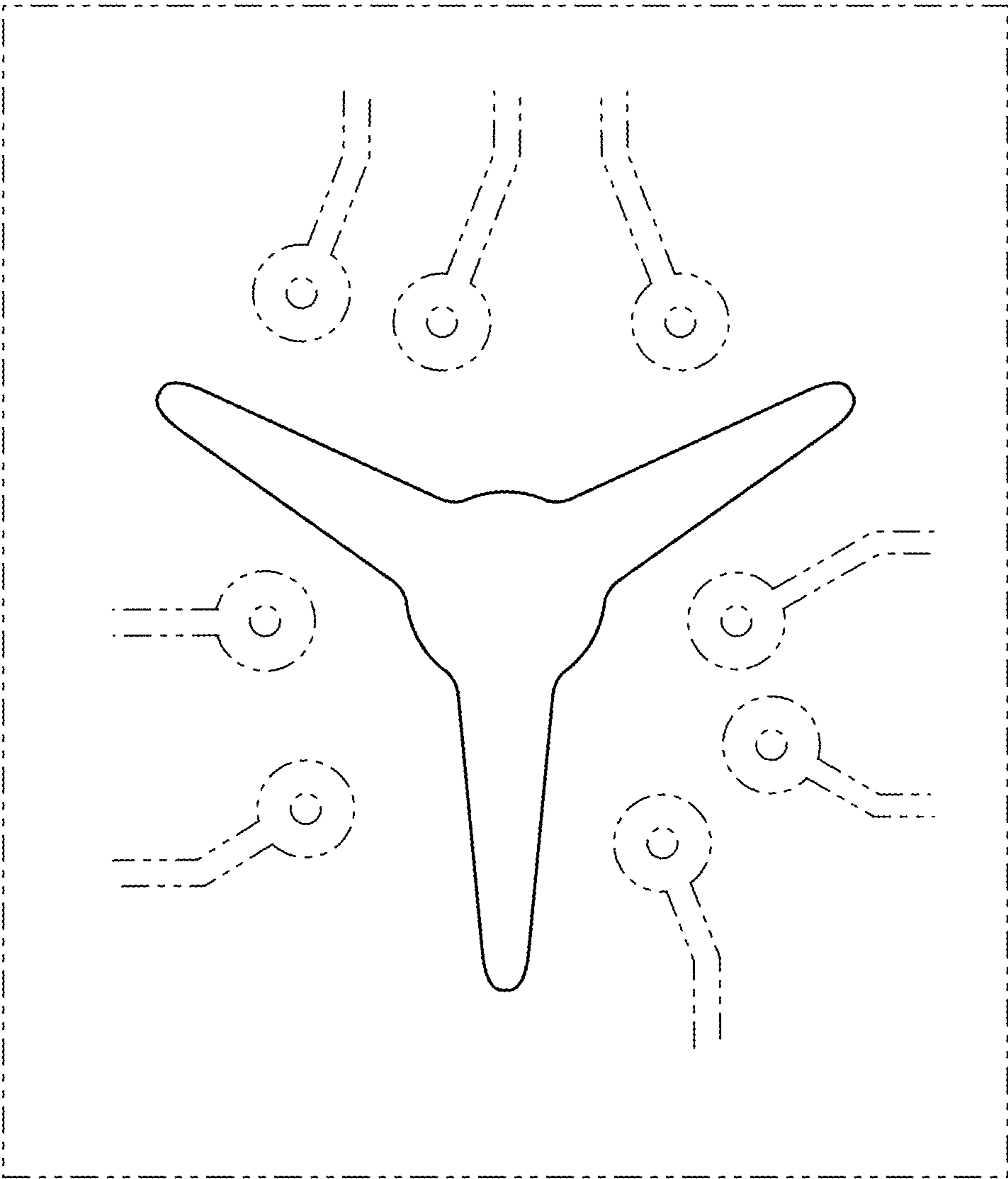


FIG. 4