



US00D816130S

(12) **United States Design Patent**
Albrecht

(10) **Patent No.:** **US D816,130 S**
(45) **Date of Patent:** **** Apr. 24, 2018**

(54) **GEAR METROLOGY MACHINE**
(71) Applicant: **THE GLEASON WORKS**, Rochester,
NY (US)
(72) Inventor: **Christian Albrecht**, Ludwigsburg (DE)
(73) Assignee: **THE GLEASON WORKS**, Rochester,
NY (US)

(**) Term: **15 Years**
(21) Appl. No.: **29/596,236**
(22) Filed: **Mar. 7, 2017**

(30) **Foreign Application Priority Data**
Sep. 9, 2016 (EM) 003371442-0004
(51) **LOC (11) Cl.** **15-09**
(52) **U.S. Cl.**
USPC **D15/122**
(58) **Field of Classification Search**
USPC D15/122, 131
CPC B23C 3/12; B23F 9/082; B23F 17/006;
B23F 19/10; B23F 21/005; B23F 23/04;
B23Q 1/623; B23Q 7/04; B23Q 11/0042;
Y10T 29/5176
See application file for complete search history.

(56) **References Cited**
U.S. PATENT DOCUMENTS
4,355,446 A * 10/1982 Shimajiri B23B 39/205
29/26 A
4,443,929 A * 4/1984 Bayer B23Q 3/15713
483/32
4,457,659 A * 7/1984 Watanabe B23F 23/04
414/223.01
4,981,402 A * 1/1991 Krenzer B23F 9/00
409/26

5,020,402 A * 6/1991 Link B23Q 7/04
82/124
5,025,690 A * 6/1991 Myers B23Q 1/015
82/121
5,310,295 A * 5/1994 Palmateer, Jr. B23F 9/10
409/13
D388,103 S * 12/1997 Gotou D15/122
6,190,241 B1 * 2/2001 Schriefer B23F 21/03
451/10
6,390,894 B1 * 5/2002 Beel B23F 5/02
409/27
D489,077 S * 4/2004 Bloch D15/122
D548,755 S * 8/2007 Takeshima D15/122
D577,043 S * 9/2008 Arisue D15/122
D635,596 S * 4/2011 Hiroshima D15/122
D651,621 S * 1/2012 Akama D15/131
D690,331 S * 9/2013 Kitamura D15/122
D693,859 S * 11/2013 Kitamura D15/122
D701,248 S * 3/2014 Benedetto D15/122
D716,351 S * 10/2014 Kitamura D15/122
D751,612 S * 3/2016 Kojima D15/122

(Continued)

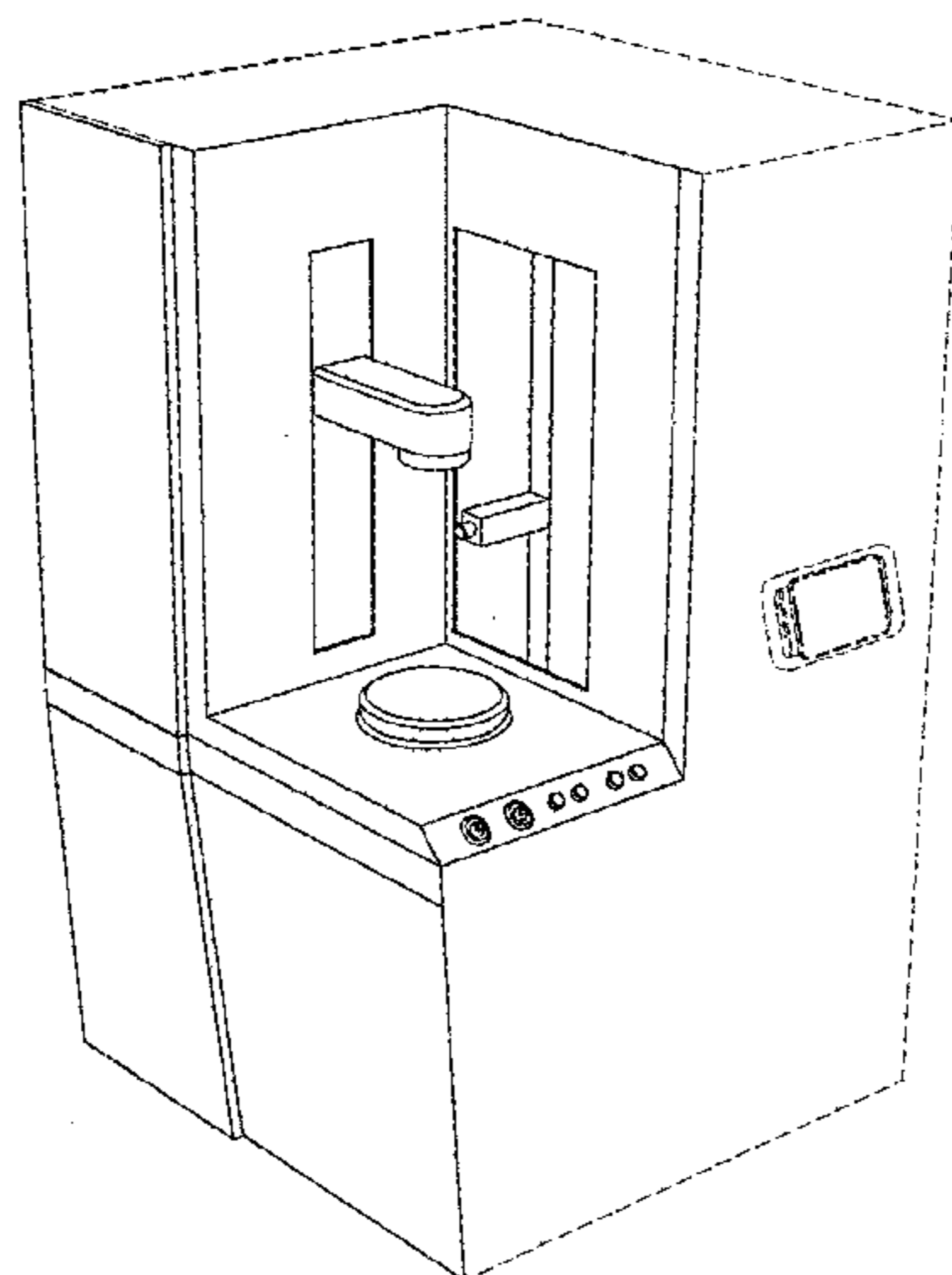
Primary Examiner — Patricia A Palasik
(74) *Attorney, Agent, or Firm* — Robert L. McDowell

(57) **CLAIM**
I claim the ornamental design for a gear metrology machine,
as shown and described.

DESCRIPTION

FIG. 1 is a front elevation view of a gear metrology machine;
FIG. 2 is a front right side perspective view thereof;
FIG. 3 is a rear left side perspective view thereof;
FIG. 4 is a top plan view thereof;
FIG. 5 is a bottom plan view thereof;
FIG. 6 is a right side elevation view thereof;
FIG. 7 is a left side elevation view thereof; and,
FIG. 8 is a rear elevation view thereof.
The broken lines in the drawings depict unclaimed environ-
mental subject matter.

1 Claim, 8 Drawing Sheets



(56)

References Cited

U.S. PATENT DOCUMENTS

D759,133	S *	6/2016	Kitamura	D15/122
D759,738	S *	6/2016	Schonherr	D15/122
D781,357	S *	3/2017	Inaba	D15/122
D790,610	S *	6/2017	Schindler	D15/122
D797,822	S *	9/2017	Grobe	D15/122
2002/0108836	A1 *	8/2002	Jaeger	B23Q 1/012 198/339.1
2009/0068927	A1 *	3/2009	Durr	B23F 5/02 451/5
2010/0221080	A1 *	9/2010	Neumaier	B23F 5/04 409/13
2010/0304642	A1 *	12/2010	Mundt	B23F 1/02 451/5
2014/0286734	A1 *	9/2014	Oda	B25J 9/16 414/222.01
2014/0319746	A1 *	10/2014	Kozawa	B23Q 7/04 269/14
2014/0377028	A1 *	12/2014	Inaguchi	B23Q 11/0042 409/134
2017/0151642	A1 *	6/2017	Suzuki	B08B 15/023
2017/0254724	A1 *	9/2017	Lazic	G01M 13/021
2017/0326700	A1 *	11/2017	Morimura	B23K 26/0093

* cited by examiner

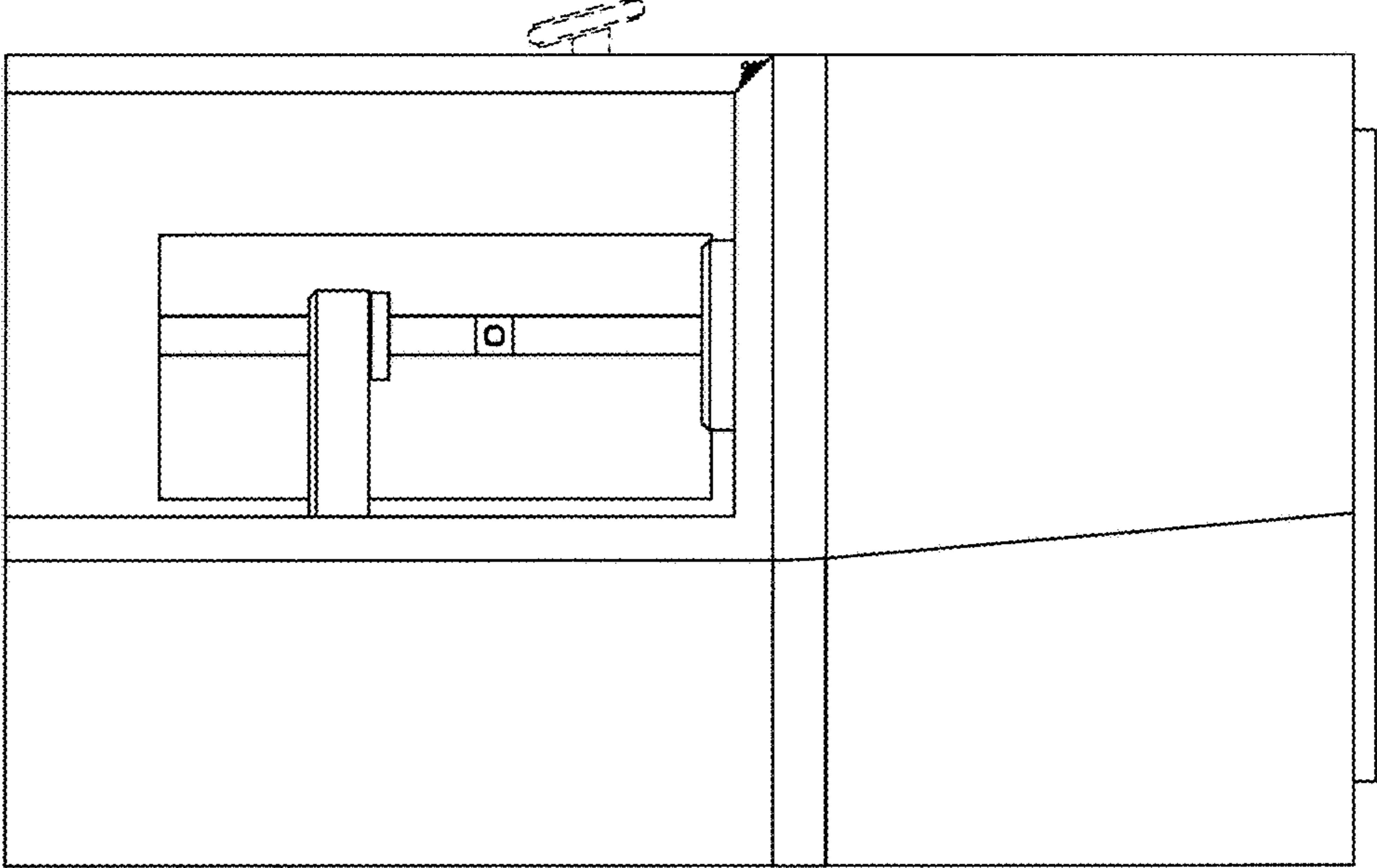


FIG. 1

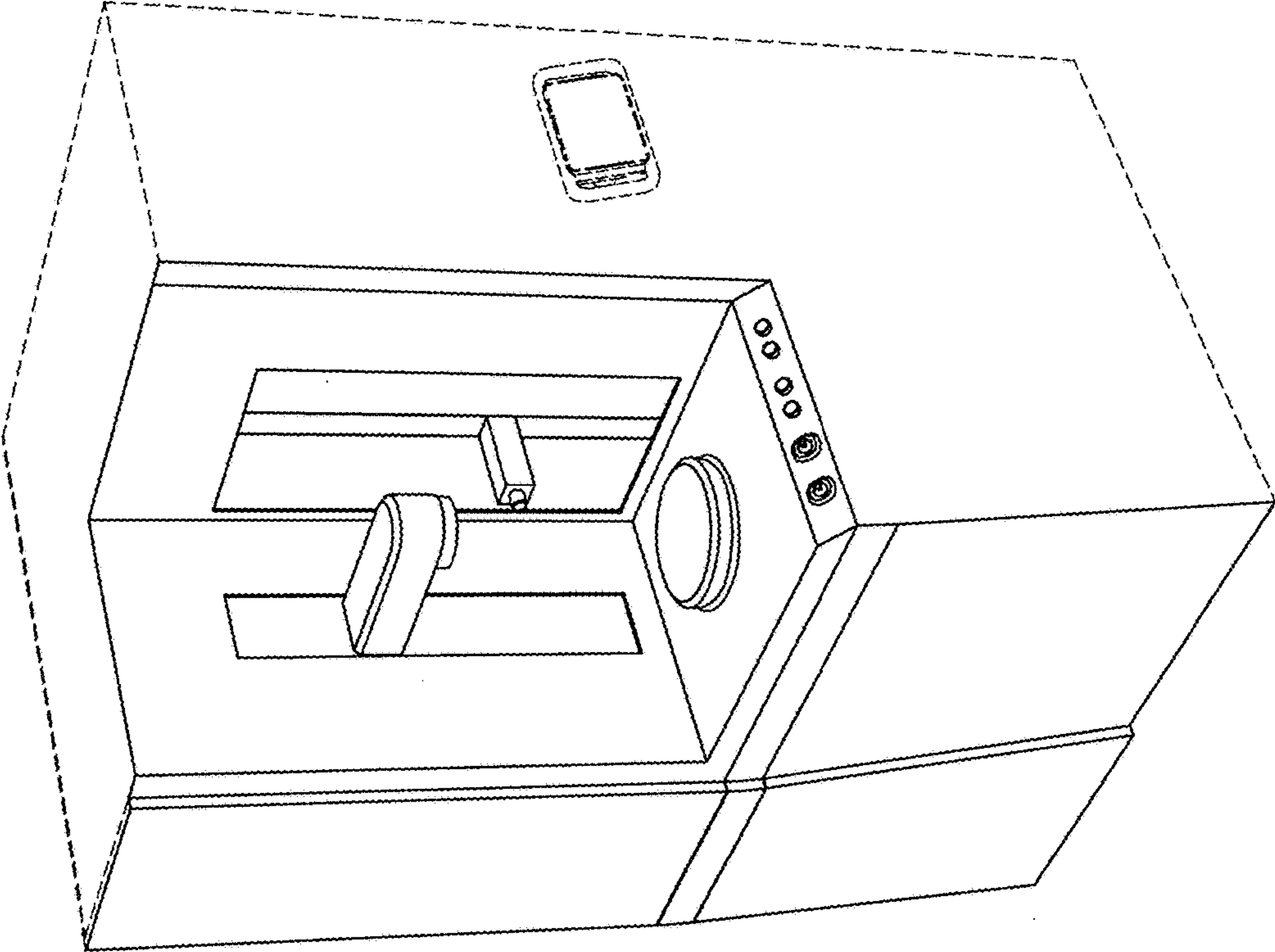
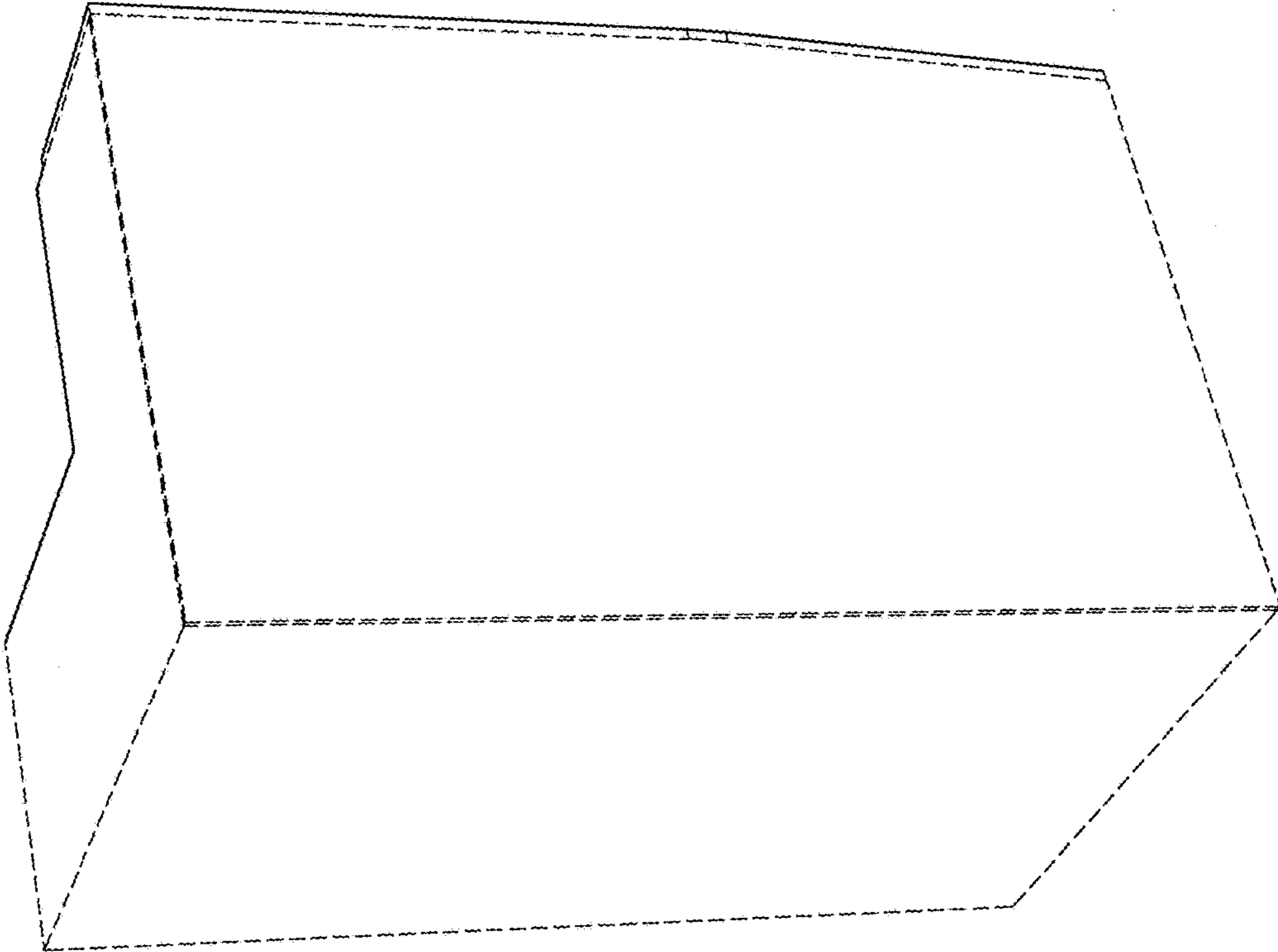


FIG. 2

FIG. 3



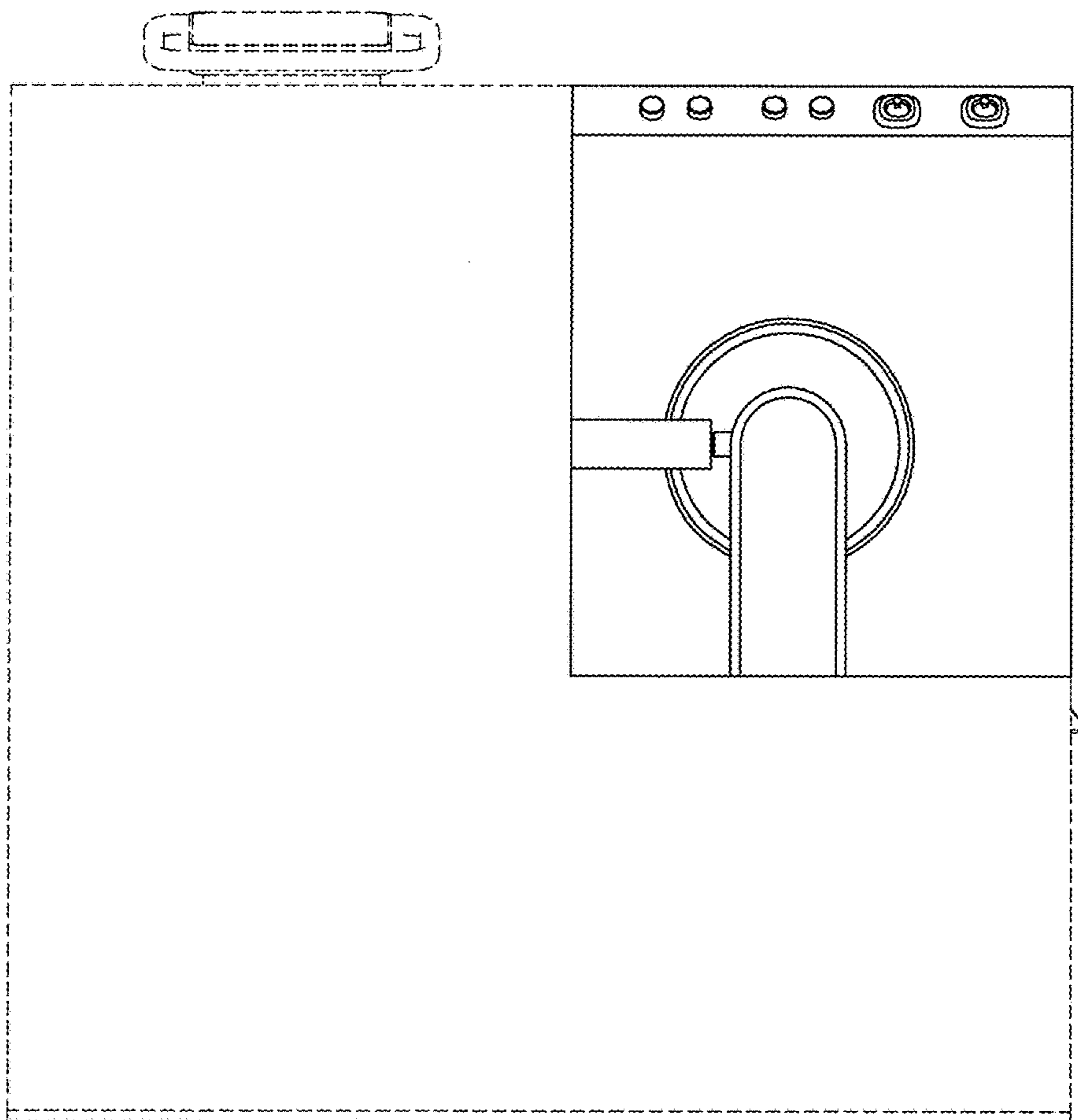


FIG. 4

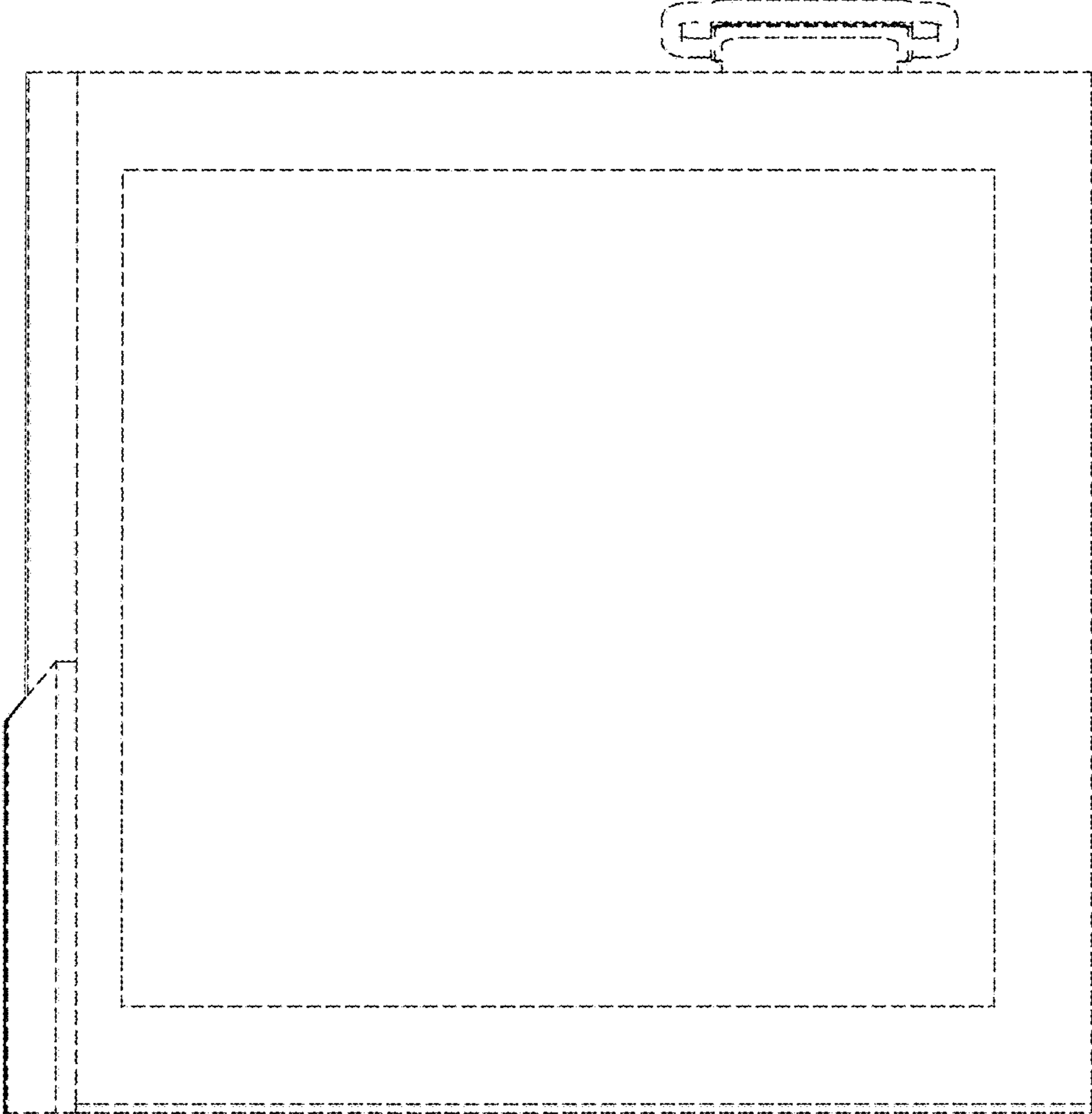


FIG. 5

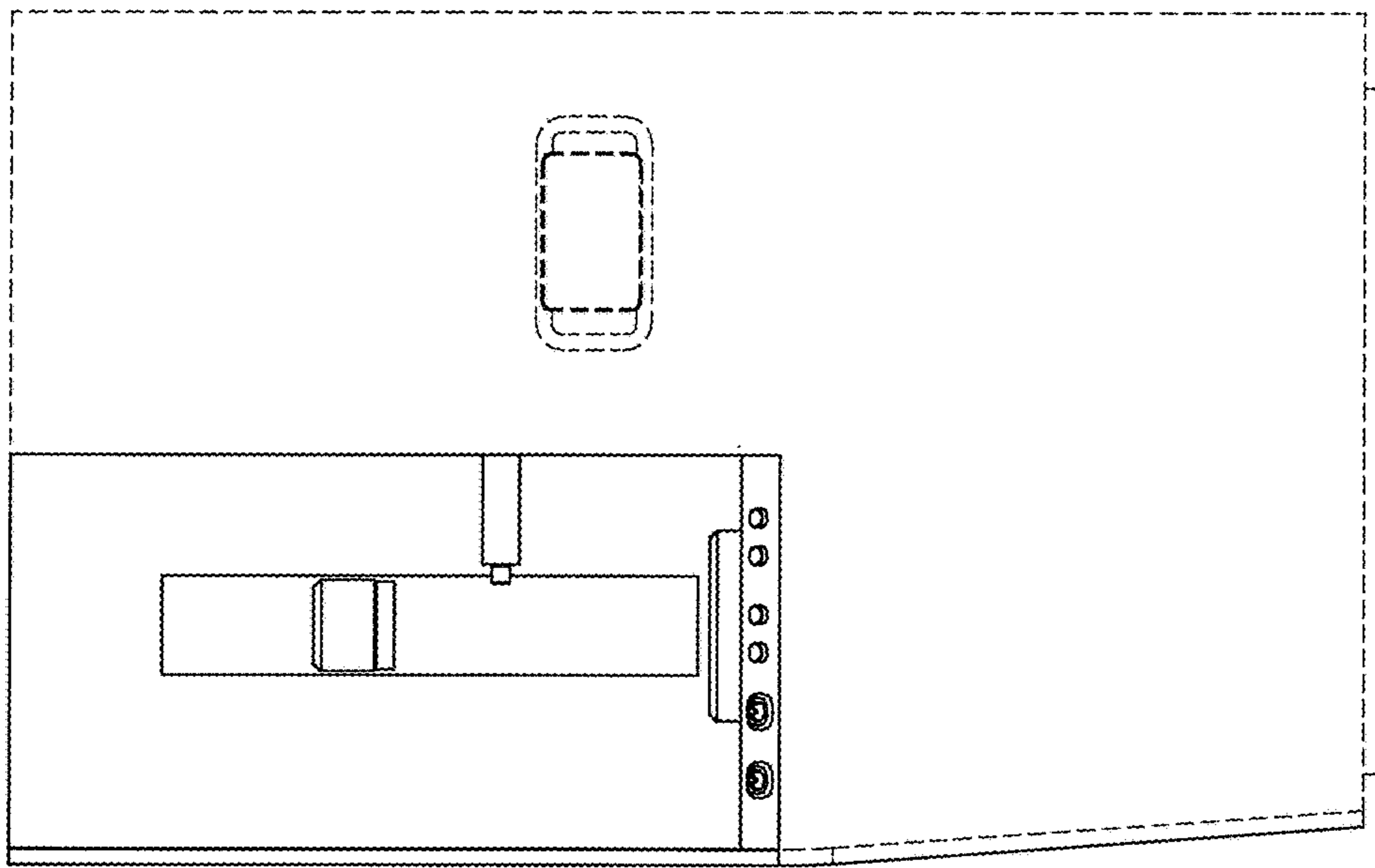
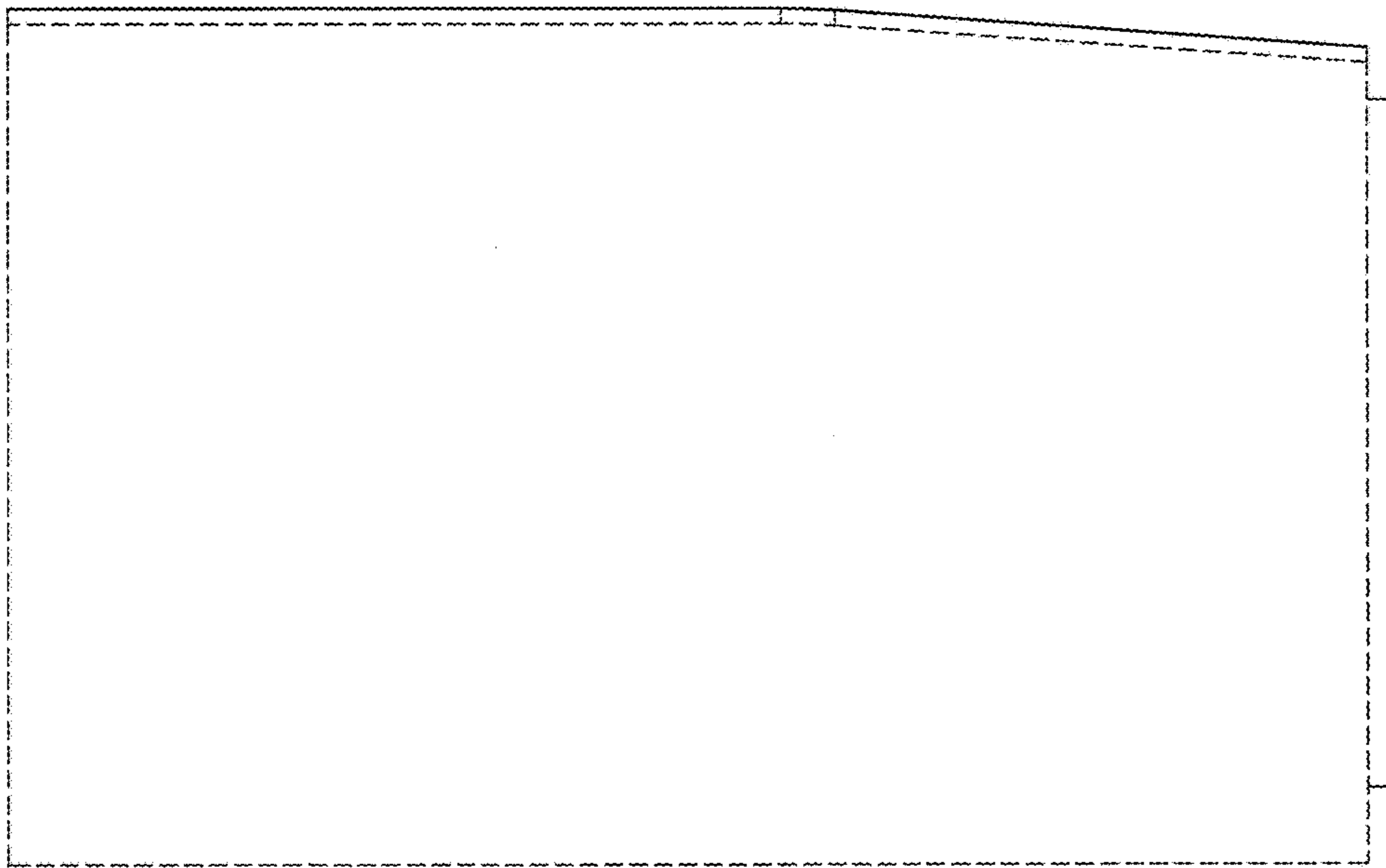


FIG. 6

FIG. 7



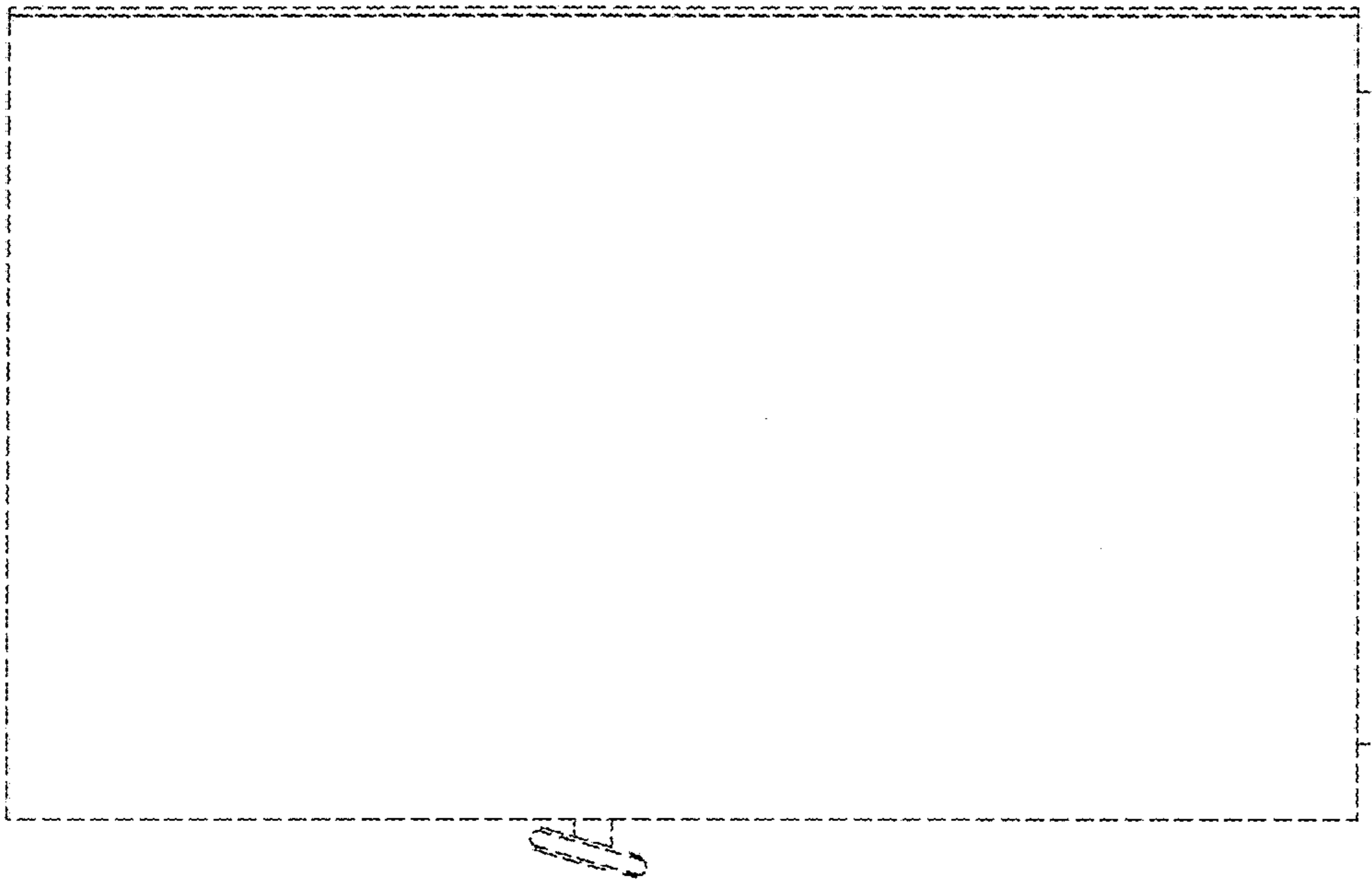


FIG. 8