



US00D816127S

(12) **United States Design Patent**
Trotter

(10) **Patent No.:** **US D816,127 S**
(45) **Date of Patent:** **** Apr. 24, 2018**

(54) **COLLAPSIBLE PORTABLE SOLAR REFRIGERATOR DESIGN**

(71) Applicant: **Spencer Trotter**, Albuquerque, NM (US)

(72) Inventor: **Spencer Trotter**, Albuquerque, NM (US)

(**) Term: **15 Years**

(21) Appl. No.: **29/584,523**

(22) Filed: **Nov. 15, 2016**

(51) **LOC (11) Cl.** **15-07**

(52) **U.S. Cl.**
USPC **D15/81**

(58) **Field of Classification Search**
USPC D15/79-91

CPC F25B 49/02; F25B 25/005; F25B 40/02; F25B 49/022; F25B 1/00; F25B 23/006; F25B 2600/021; F25B 2600/0253; F25B 2600/2513; F25B 2700/21163; F25B 41/00; F25B 41/003; F25B 5/02; F25B 13/00; F25B 1/10; F25B 21/02; F25B 2313/0231; F25B 2313/0233; F25B 2313/02742; F25B 2339/044; F25B 2339/047; F25B 2341/0012; F25B 2341/0652; F25B 2400/053; F25B 2400/06; F25B 2400/075; F25B 2400/13; F25B 2400/16; F25B 2400/19; F25B 2400/23; F25B 2500/22; F25B 2500/23; F25B 2500/24; F25B 2500/26; F25B 2600/0251; F25B 2600/0272

See application file for complete search history.

(56) **References Cited**

U.S. PATENT DOCUMENTS

D502,471 S * 3/2005 Yuen D15/81
D512,730 S * 12/2005 Orenstein D15/79

D641,213 S * 7/2011 Uffner D15/81
D701,888 S * 4/2014 Schumaker D15/81
D711,434 S * 8/2014 Aglassinger D15/79
D744,011 S * 11/2015 Reaux D15/79
2015/0292783 A1* 10/2015 Trotter F25B 27/005
62/235.1
2016/0003505 A1* 1/2016 Trotter F25B 27/007
62/235.1

* cited by examiner

Primary Examiner — Ian Simmons

Assistant Examiner — Khawaja Anwar

(74) *Attorney, Agent, or Firm* — Gina T. Constant, Esq.

(57) **CLAIM**

The ornamental design for a collapsible portable solar refrigerator design, as shown and described.

DESCRIPTION

FIG. 1 is a front perspective view of the a collapsible portable solar refrigerator device, shown in a collapsible configuration;

FIG. 2 is a front elevation view thereof;

FIG. 3 is a rear elevation view thereof;

FIG. 4 is a right side elevation view thereof;

FIG. 5 is a left side elevation view thereof;

FIG. 6 is a top plan view thereof;

FIG. 7 is a bottom plan view thereof;

FIG. 8 is a front perspective view thereof; shown in a collapsed portable configuration;

FIG. 9 is a front elevation view thereof;

FIG. 10 is a rear elevation view thereof;

FIG. 11 is a right side elevation view thereof;

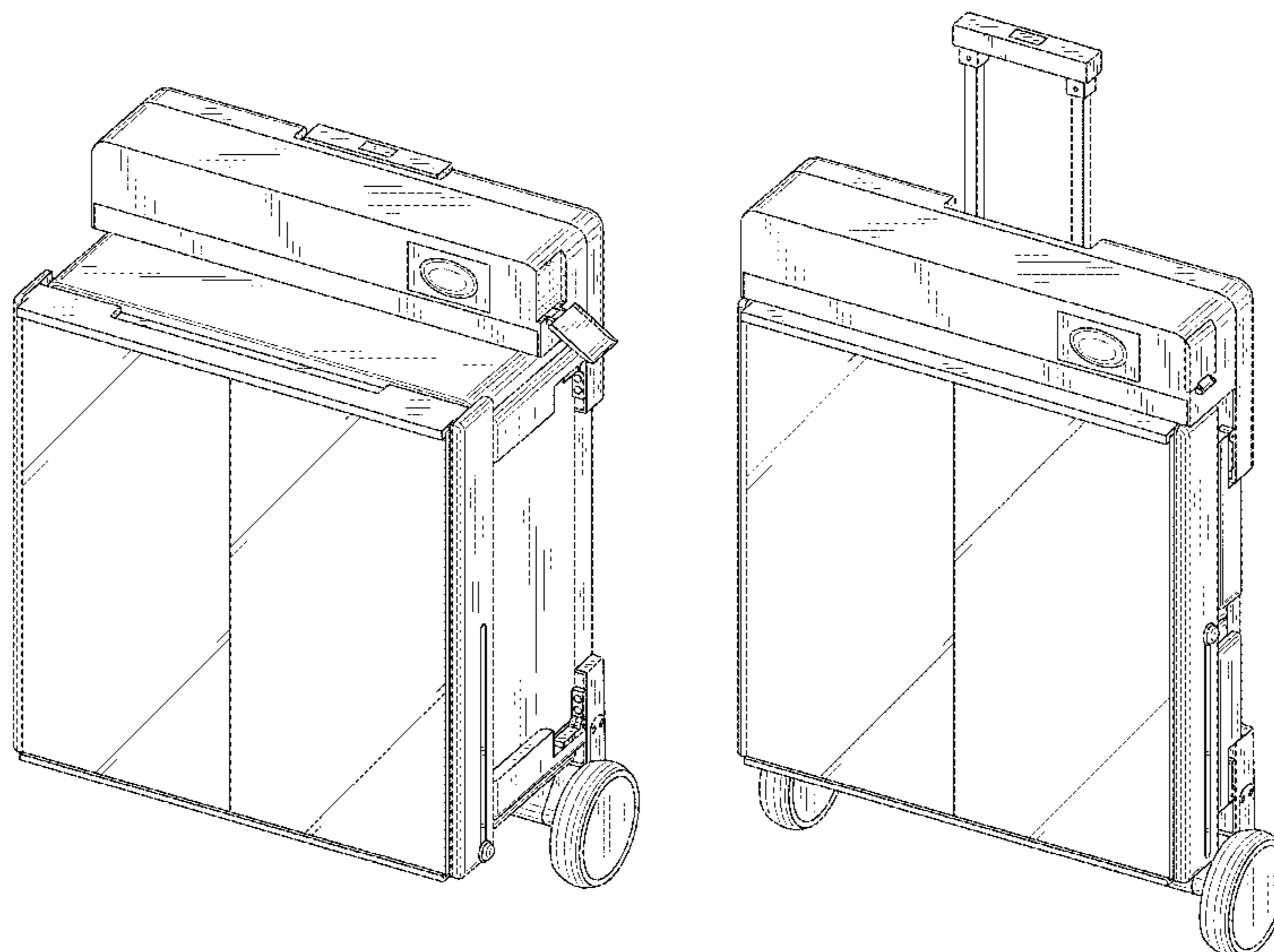
FIG. 12 is a left side elevation view thereof;

FIG. 13 is a top plan view thereof; and,

FIG. 14 is a bottom plan view thereof.

The broken lines shown in the drawings represent unclaimed portions of the collapsible portable solar refrigerator device and form no part of the claimed design.

1 Claim, 13 Drawing Sheets



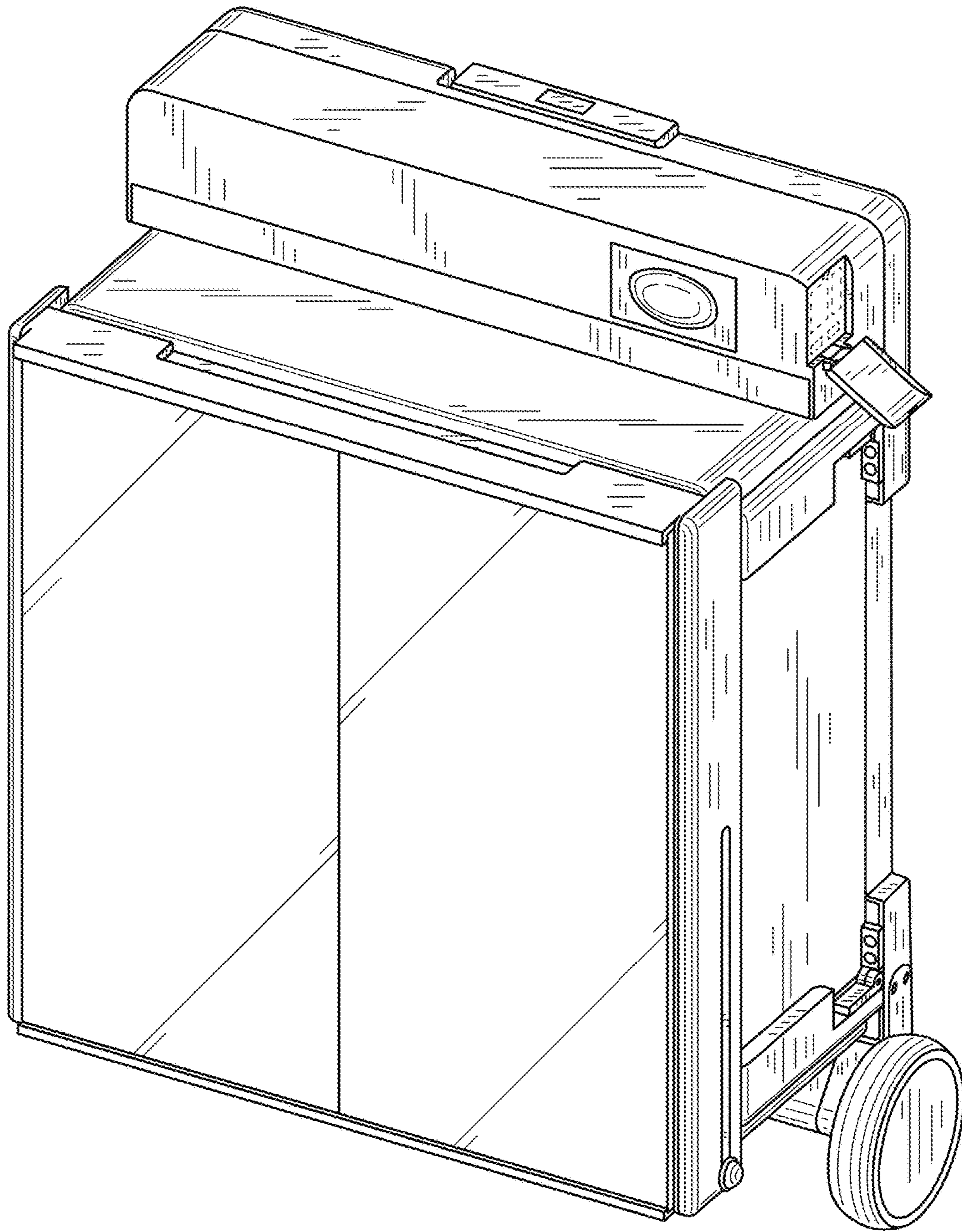


FIG.1

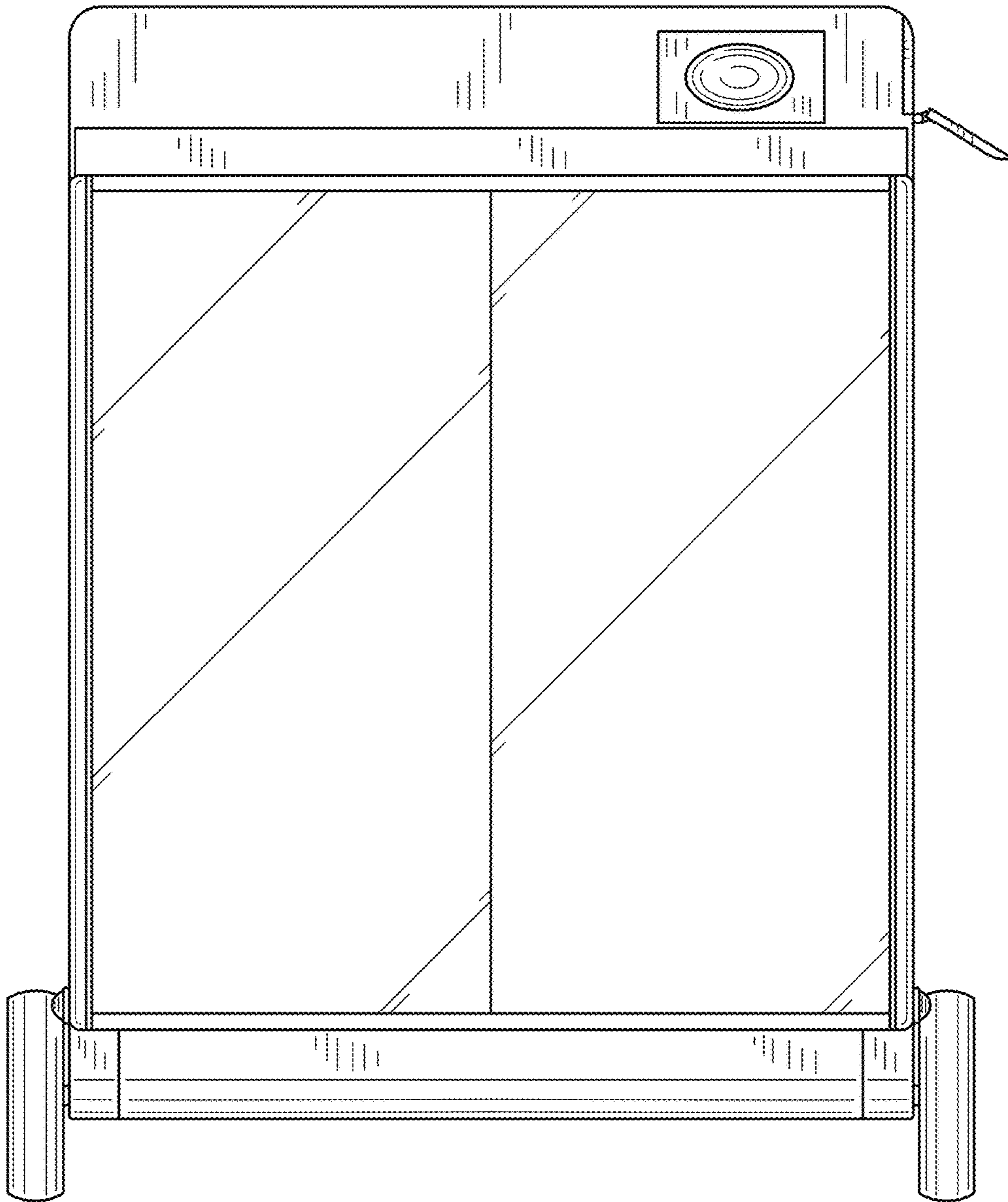


FIG.2

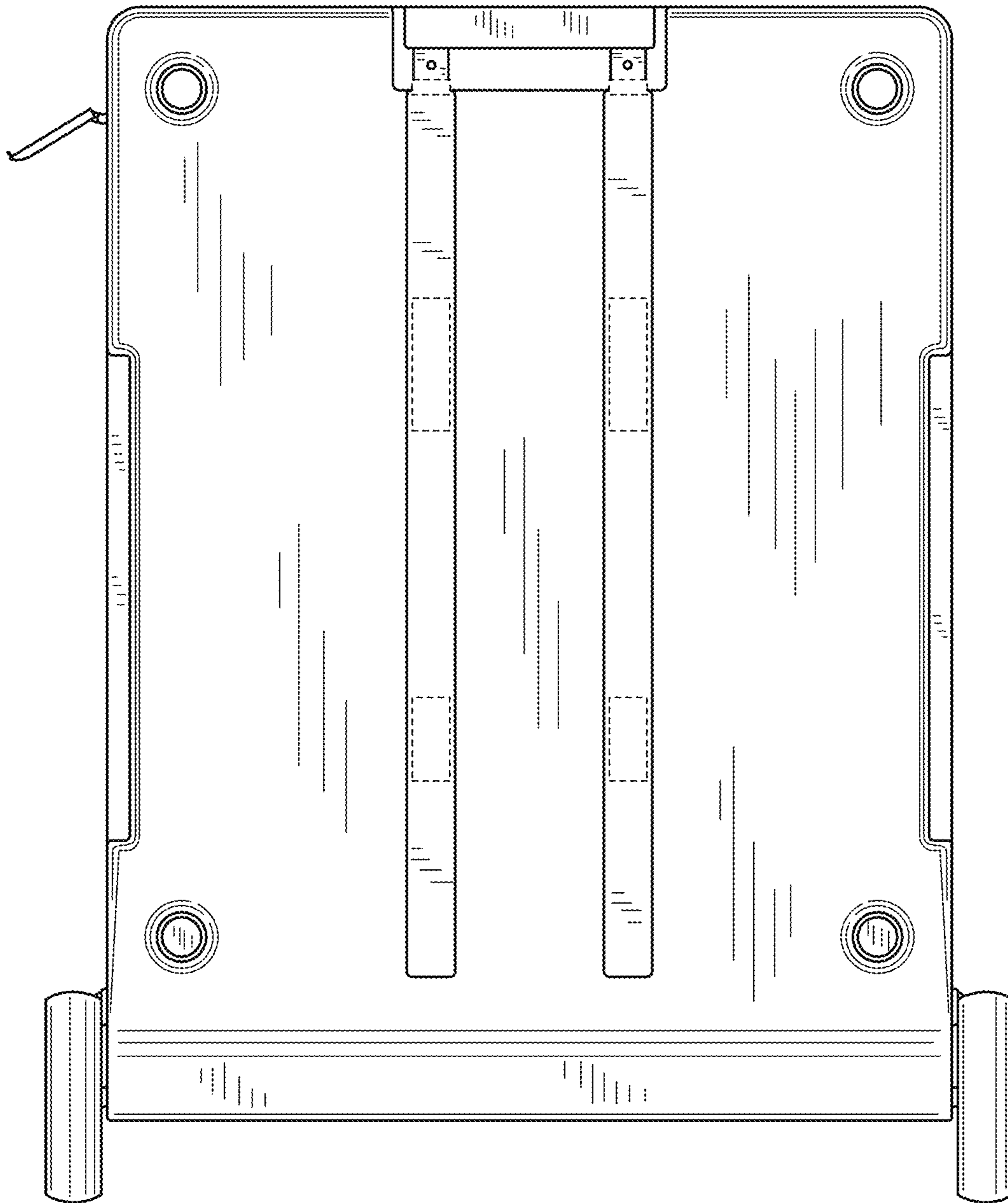


FIG.3

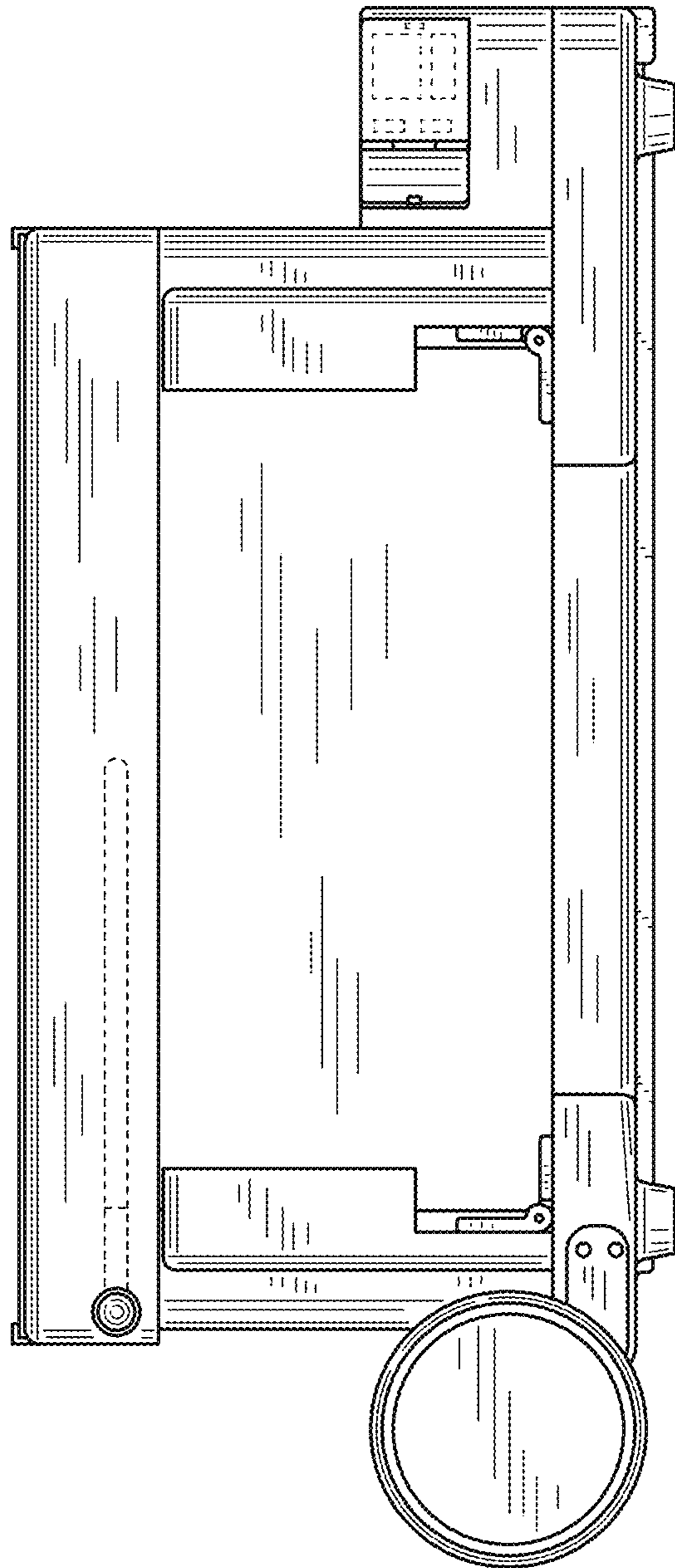


FIG.4

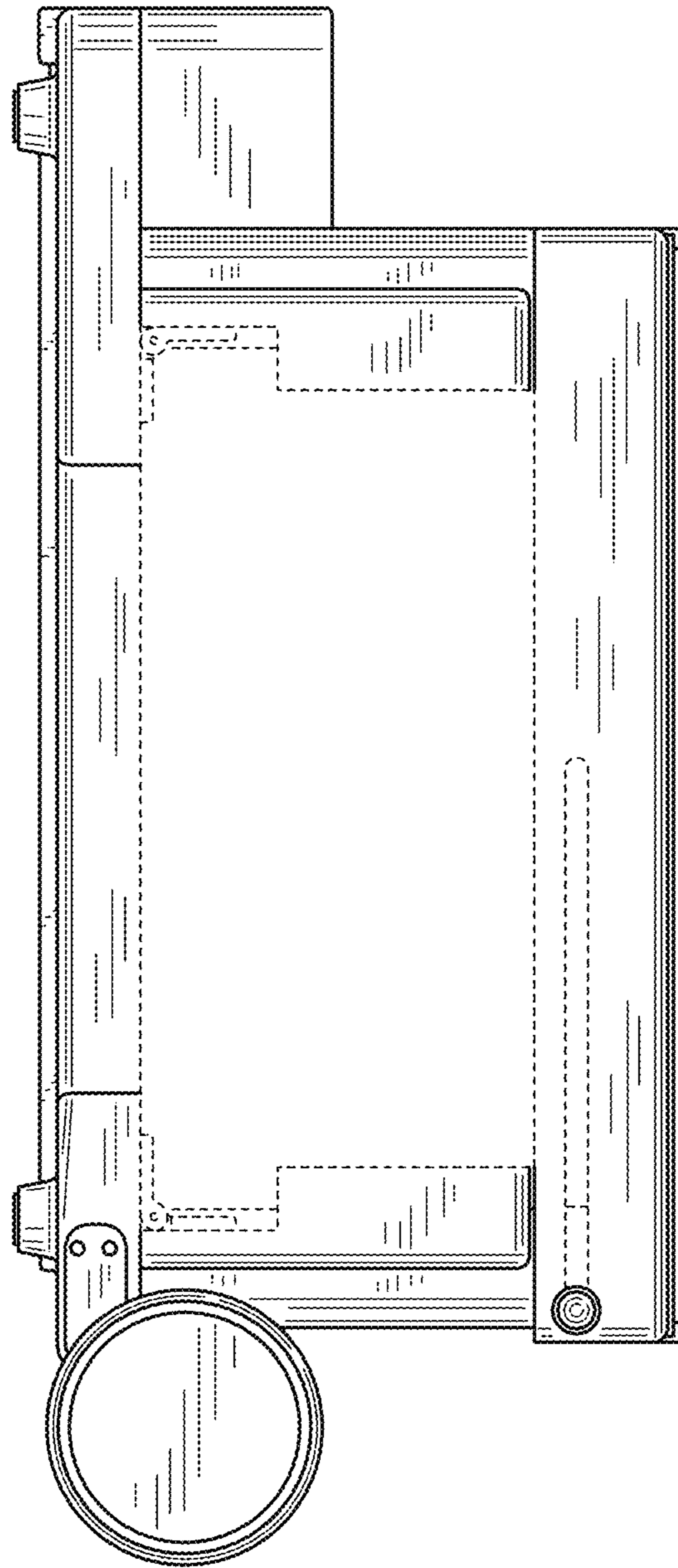


FIG.5

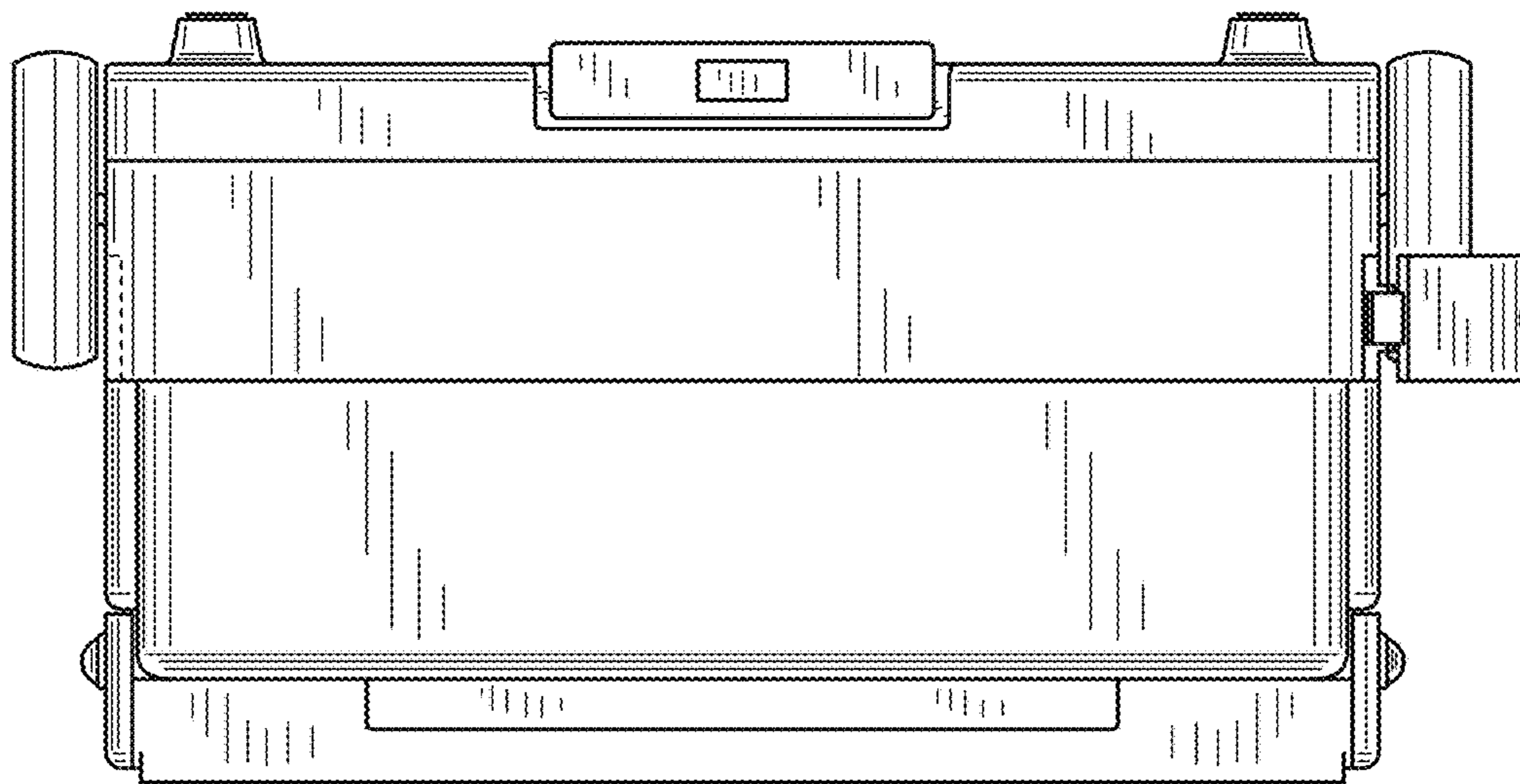


FIG.6

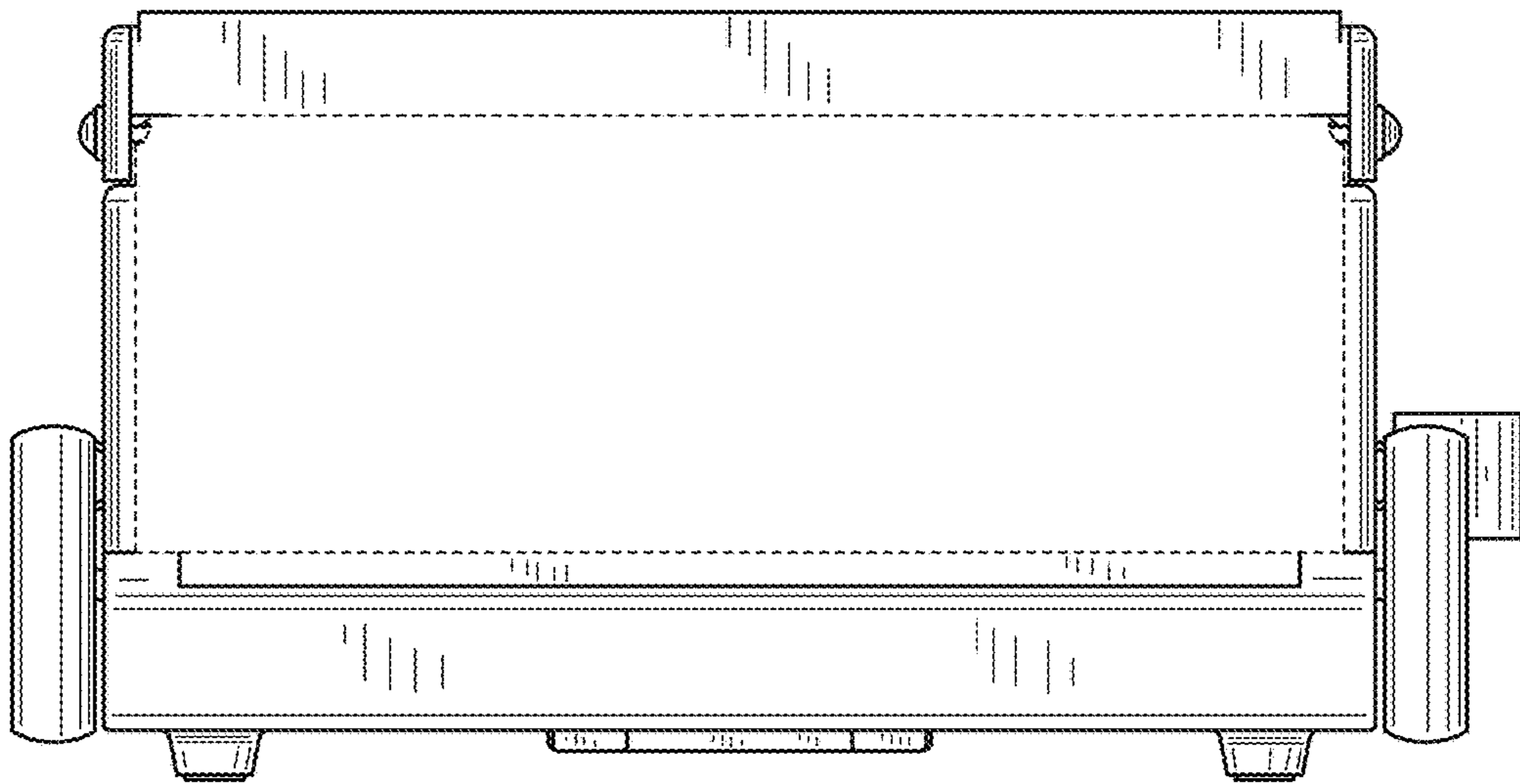


FIG.7

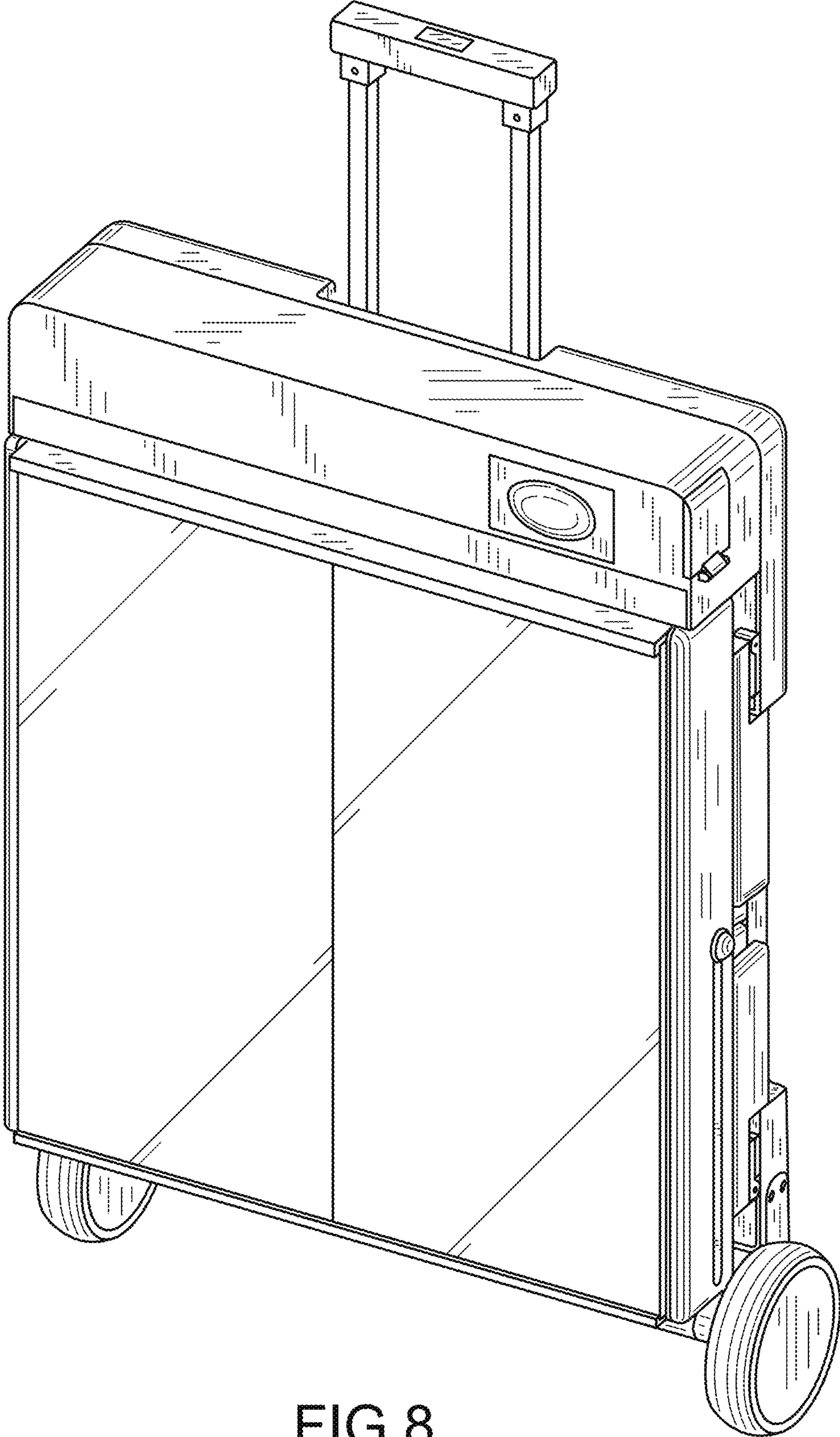


FIG.8

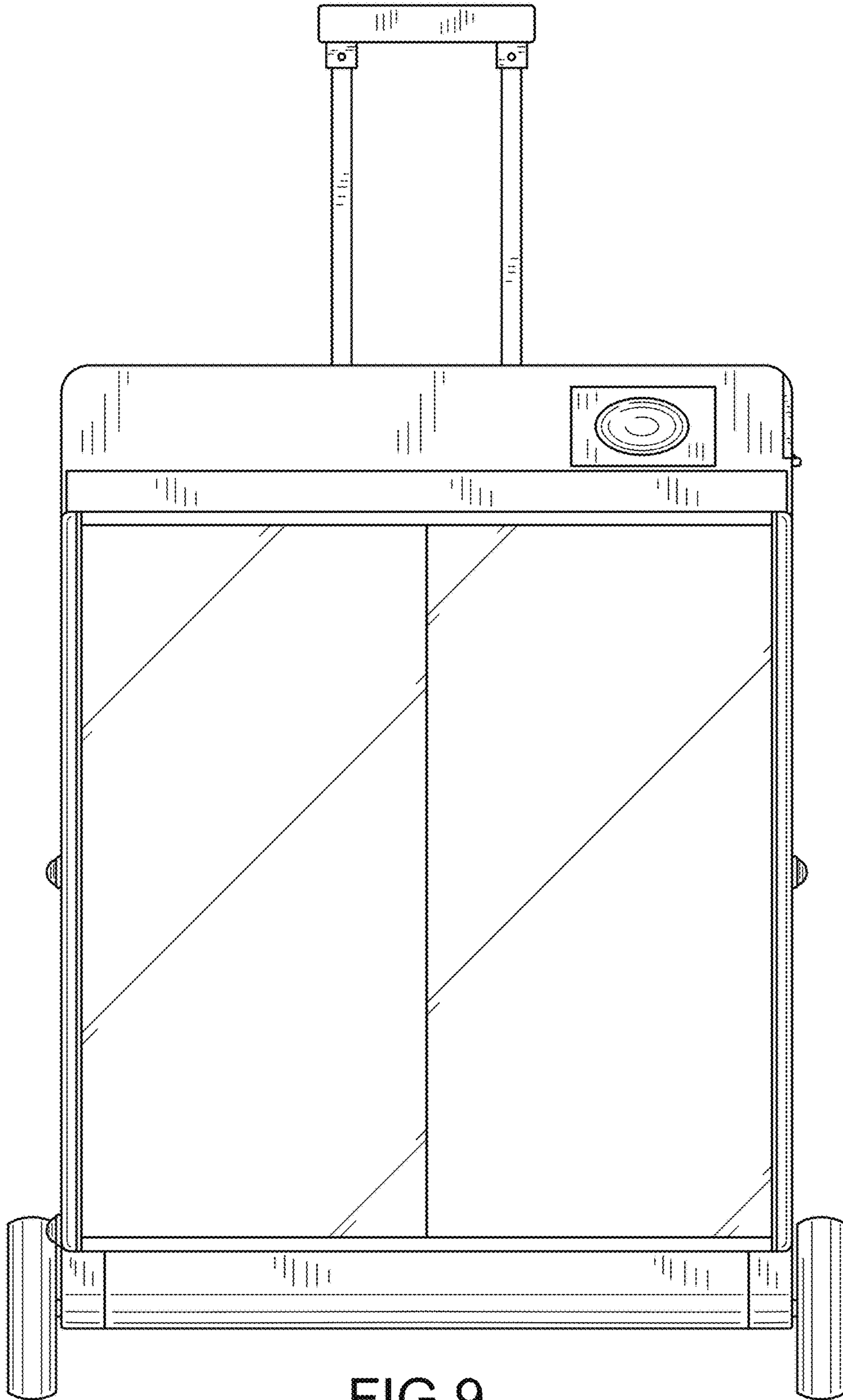


FIG.9

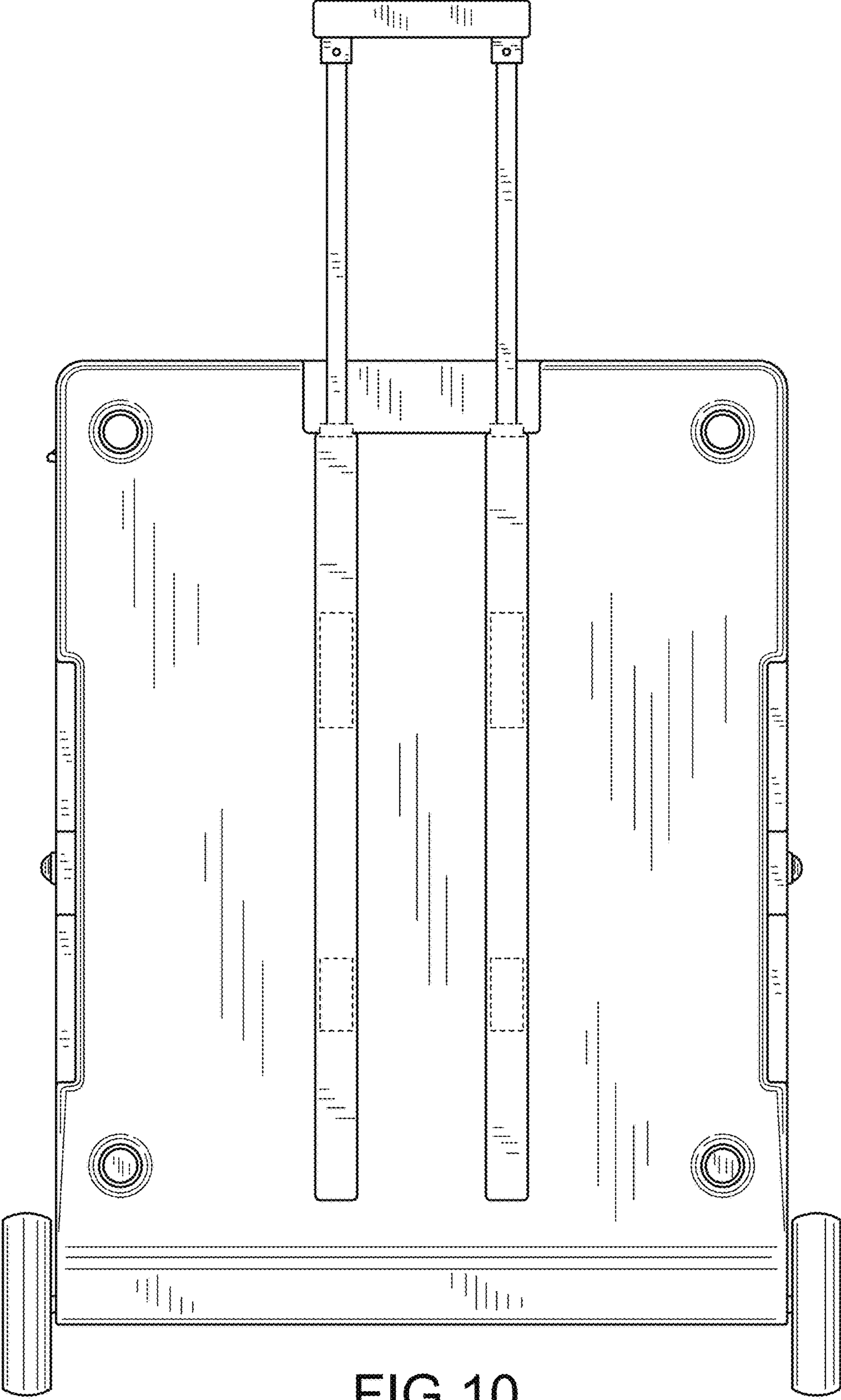


FIG. 10

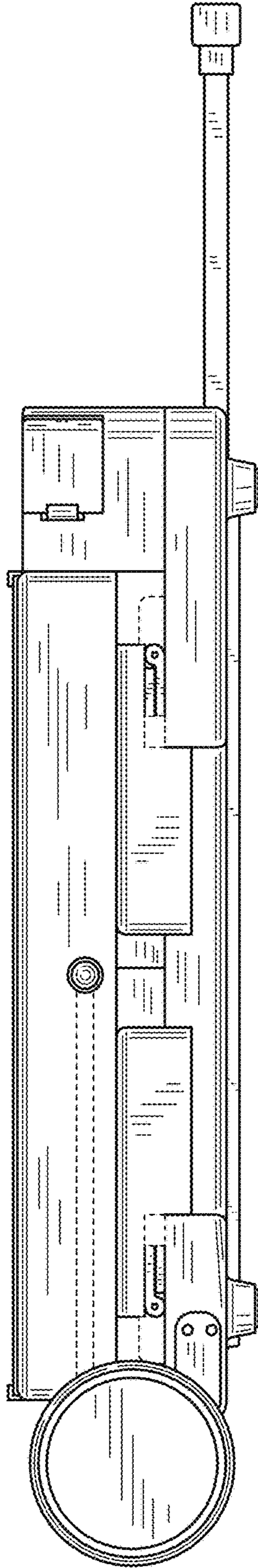


FIG. 11

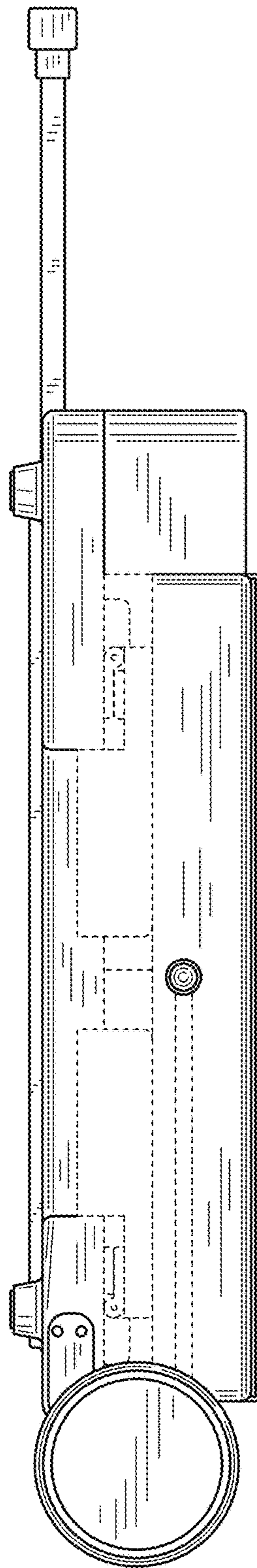


FIG.12

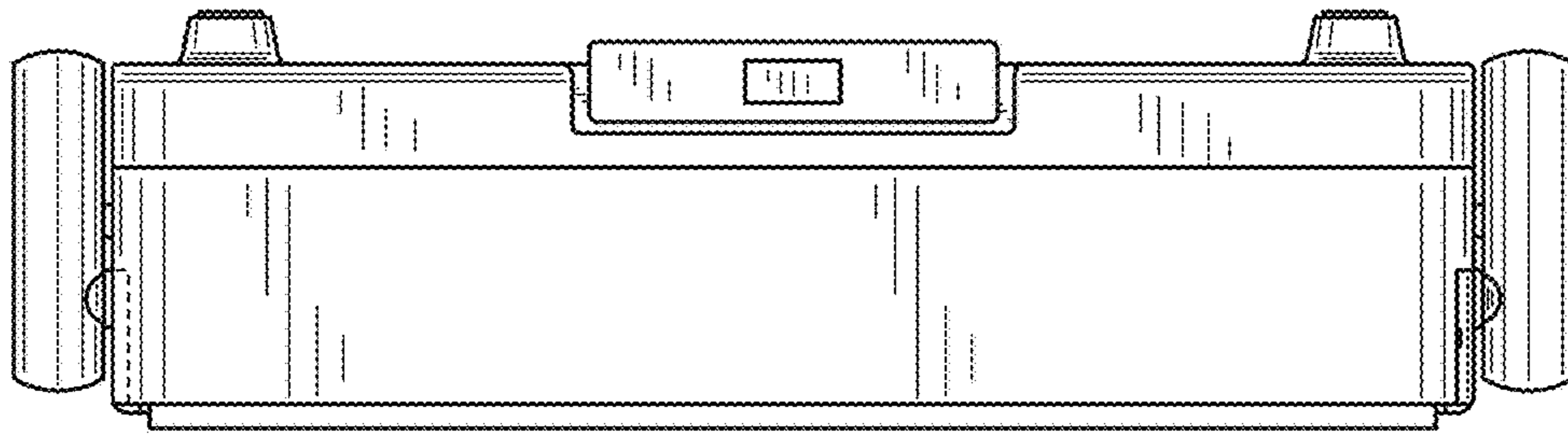


FIG. 13

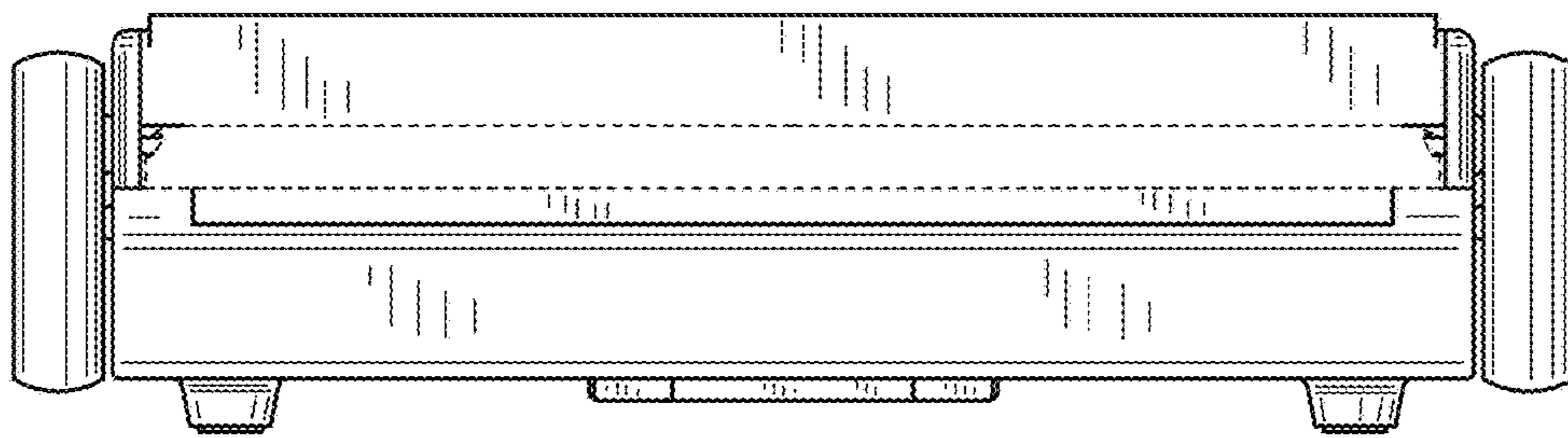


FIG. 14