



US00D816126S

(12) **United States Design Patent**
Bergman et al.

(10) **Patent No.:** **US D816,126 S**

(45) **Date of Patent:** **** Apr. 24, 2018**

(54) **CRUSHER FEED HOPPER WEAR PROTECTION CASSETTE**

CPC B02C 13/286; B02C 13/282; B02C 2013/28681; B02C 19/22; B02C 2/04; B02C 4/06; B02C 2/005; B02C 2/007

See application file for complete search history.

(71) Applicant: **SANDVIK INTELLECTUAL PROPERTY AB**, Sandviken (SE)

(56) **References Cited**

(72) Inventors: **Axel Bergman**, Malmö (SE);
Bengt-Arne Eriksson, Svedala (SE);
Fredrik Eriksson, Malmö (SE);
Mikael Larsson, Eslov (SE); **Patric Malmqvist**, Svedala (SE)

U.S. PATENT DOCUMENTS

(73) Assignee: **SANDVIK INTELLECTUAL PROPERTY AB**, Sandviken (SE)

- D745,572 S * 12/2015 Bergman D15/28
- D752,652 S * 3/2016 Malmqvist D15/28
- D766,334 S * 9/2016 Bergman D15/28
- 9,486,805 B2 * 11/2016 Nikolic B02C 2/007
- D781,935 S * 3/2017 Larsson D15/123
- 2015/0196922 A1 * 7/2015 Bergman B02C 2/007
241/285.2
- 2015/0314300 A1 * 11/2015 Malmqvist B02C 2/005
241/285.2
- 2015/0314301 A1 * 11/2015 Bergman B02C 2/007
241/285.2
- 2016/0279641 A1 * 9/2016 Nikolic B02C 2/007

(**) Term: **15 Years**

* cited by examiner

(21) Appl. No.: **29/542,168**

(22) Filed: **Oct. 12, 2015**

Primary Examiner — Cynthia Ramirez

Assistant Examiner — Gino Colan

(30) **Foreign Application Priority Data**

- Nov. 14, 2012 (EM) 001351126-0001
- Nov. 14, 2012 (EM) 001351126-0002
- Nov. 14, 2012 (EM) 001351126-0003
- Nov. 14, 2012 (EM) 001351126-0004
- Nov. 14, 2012 (EM) 001351126-0005

(74) *Attorney, Agent, or Firm* — Corinne R. Gorski

(51) **LOC (11) Cl.** **15-03**

(52) **U.S. Cl.**
USPC **D15/28**

(57) **CLAIM**

The ornamental design for a crusher feed hopper wear protection cassette, as shown and described.

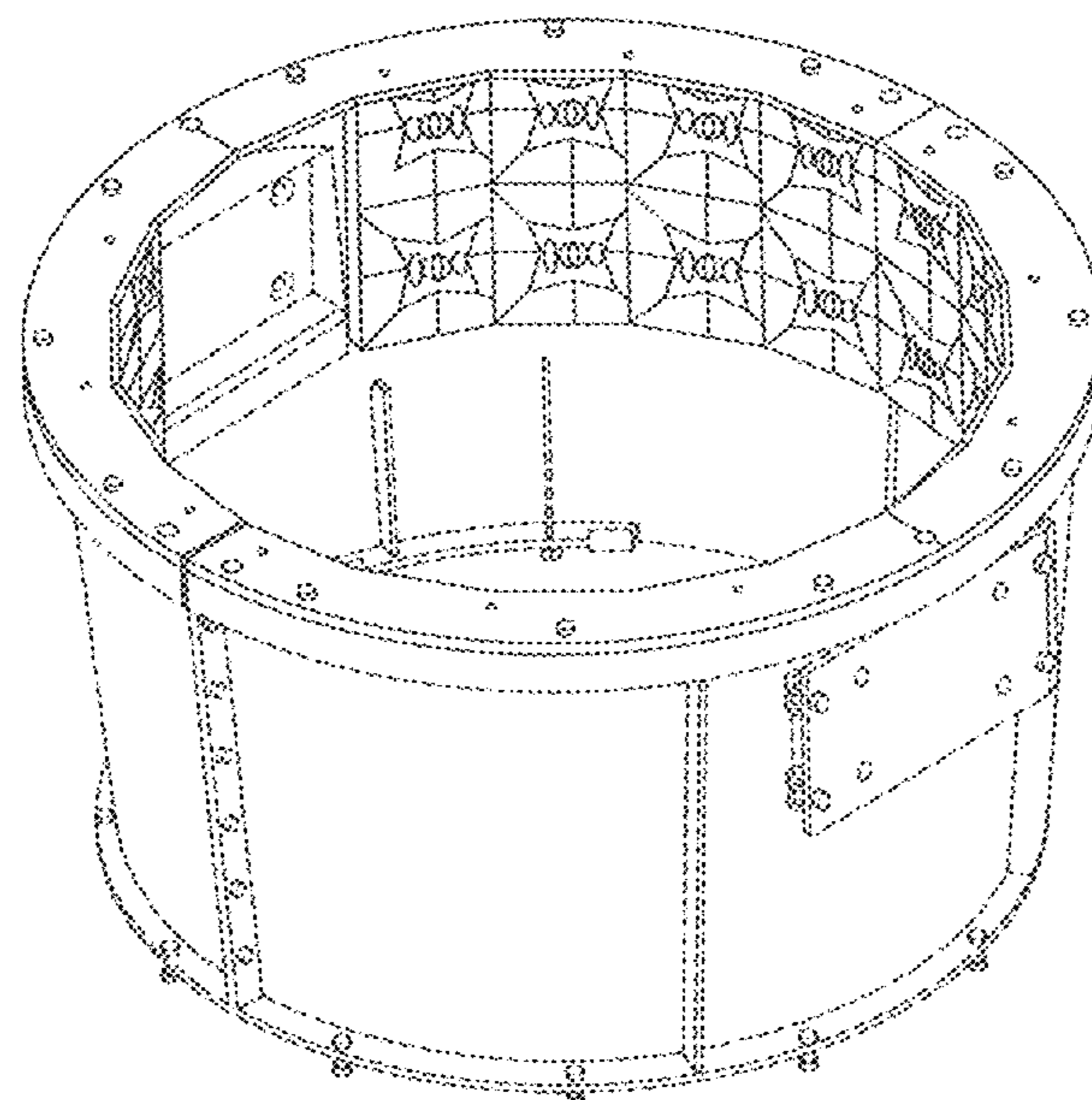
(58) **Field of Classification Search**
USPC D15/10–27, 28, 29–33, 122, 123;
119/57.6, 52.1, 57.5, 57.92; 222/185.1;
72/448, 455; 241/31, 58, 159, 178, 236,
241/285.2

DESCRIPTION

FIG. 1 is a perspective view of a crusher feed hopper wear protection cassette showing our new design; and, FIG. 2 is a top plan view thereof.

The broken lines in the figures are for the purpose of illustrating portions of the crusher feed hopper wear protection cassette and form no part of the claimed design.

1 Claim, 2 Drawing Sheets



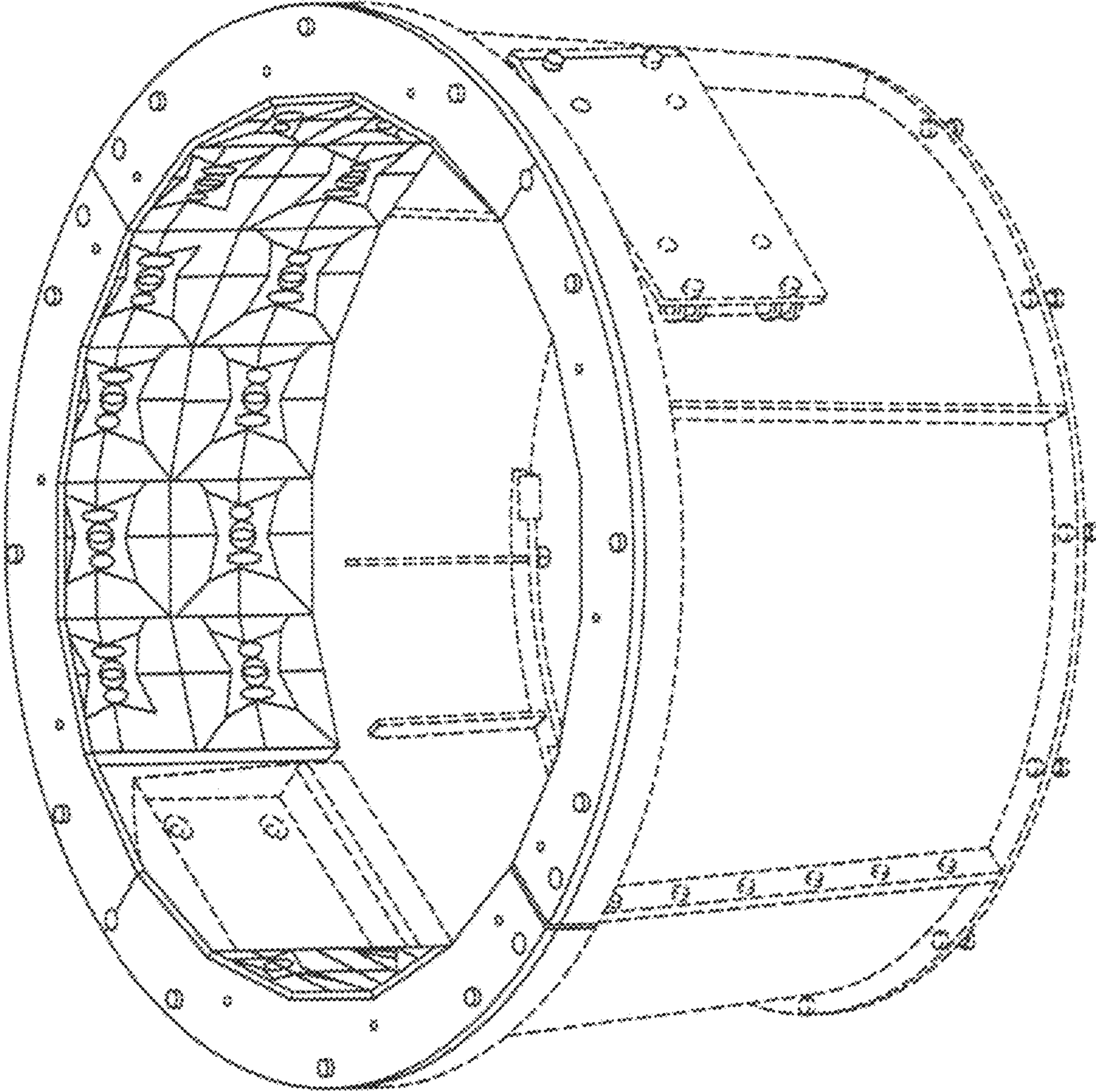


Fig. 1

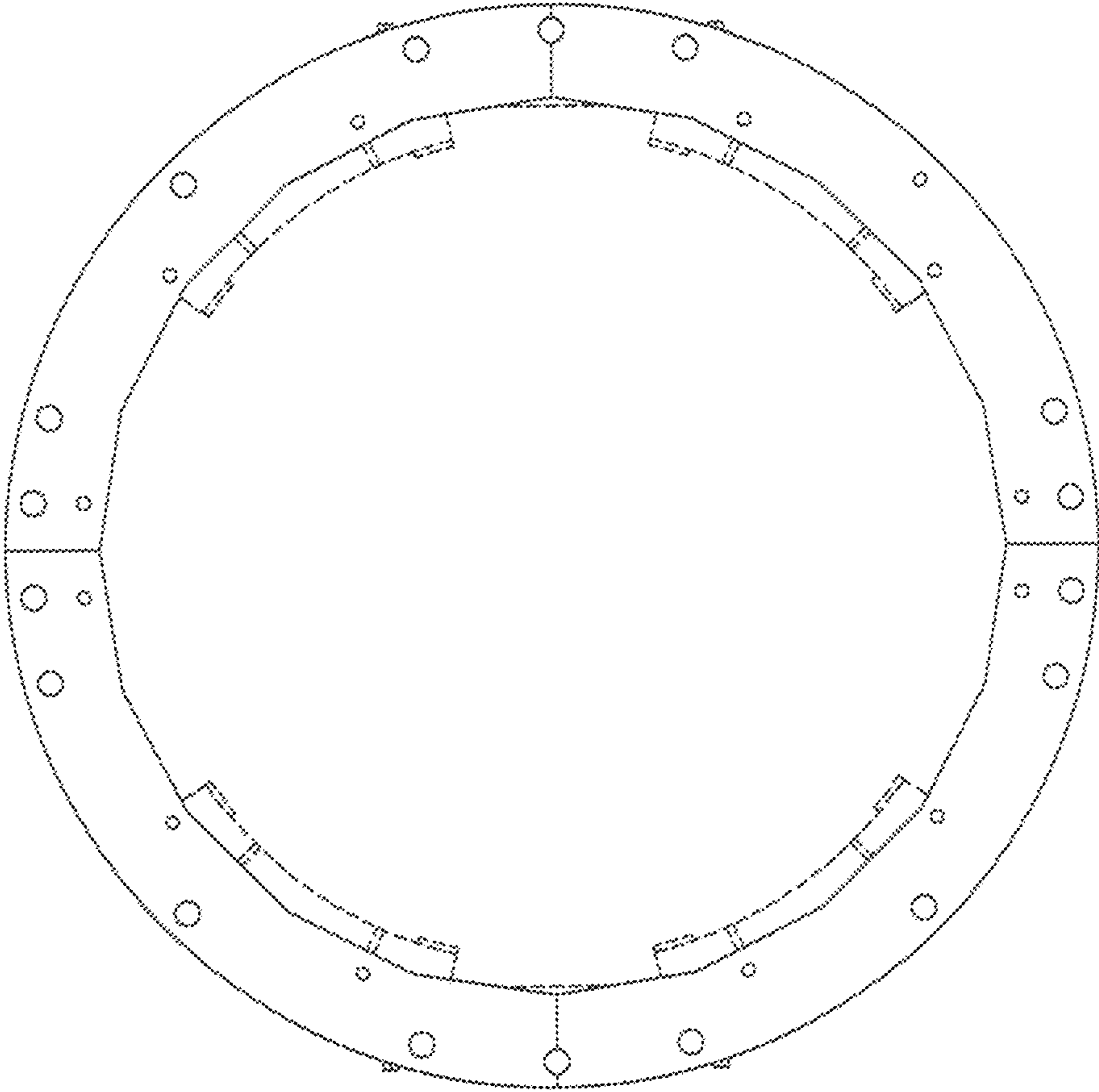


Fig. 2