



US00D816125S

(12) **United States Design Patent**
Galib et al.

(10) **Patent No.:** **US D816,125 S**
(45) **Date of Patent:** **** Apr. 24, 2018**

(54) **TRACTOR**
(71) Applicant: **Deere & Company**, Moline, IL (US)
(72) Inventors: **Mohammed Shuja Galib**, Araria (IN);
Amar Gajakosh, Solapur (IN);
Devidas D Satavalekar, Pune (IN);
Nitin Mali, Pune (IN); **Rupesh**
Thakare, Pune (IN)
(73) Assignee: **DEERE & COMPANY**, Moline, IL
(US)

D605,668 S * 12/2009 Matsumoto D15/23
D613,313 S * 4/2010 Bhanuprakash D15/23
D613,777 S * 4/2010 Bianco D15/23
D678,353 S * 3/2013 Kakudate D15/23
D706,837 S * 6/2014 Takagi D15/23
D710,911 S * 8/2014 Iwata D15/23
D729,851 S * 5/2015 Kushita D15/23
D759,128 S * 6/2016 Yang D15/23
D760,815 S * 7/2016 Okuyama D15/31
D767,645 S * 9/2016 Okuyama D15/31
D777,214 S * 1/2017 Moritaka D15/23
D784,422 S * 4/2017 Okuyama D15/23
D786,311 S * 5/2017 Okuyama D15/23
D786,941 S * 5/2017 Kushita D15/26

(**) Term: **15 Years**

* cited by examiner

(21) Appl. No.: **29/609,325**

Primary Examiner — Mark Goodwin

(22) Filed: **Jun. 29, 2017**

(30) **Foreign Application Priority Data**

Jan. 2, 2017 (IN) 289768

(51) **LOC (11) Cl.** **12-09**

(52) **U.S. Cl.**
USPC **D15/23**

(58) **Field of Classification Search**
USPC D15/10, 11, 15, 17, 22, 23, 25, 26, 28,
D15/30
CPC B62D 49/00; B62D 49/06; B62D 49/0671;
B62D 49/0692; B62D 33/06; B62D
33/0617

See application file for complete search history.

(56) **References Cited**

U.S. PATENT DOCUMENTS

D581,953 S * 12/2008 Matsumoto D15/15
D600,255 S * 9/2009 Kushita D15/23

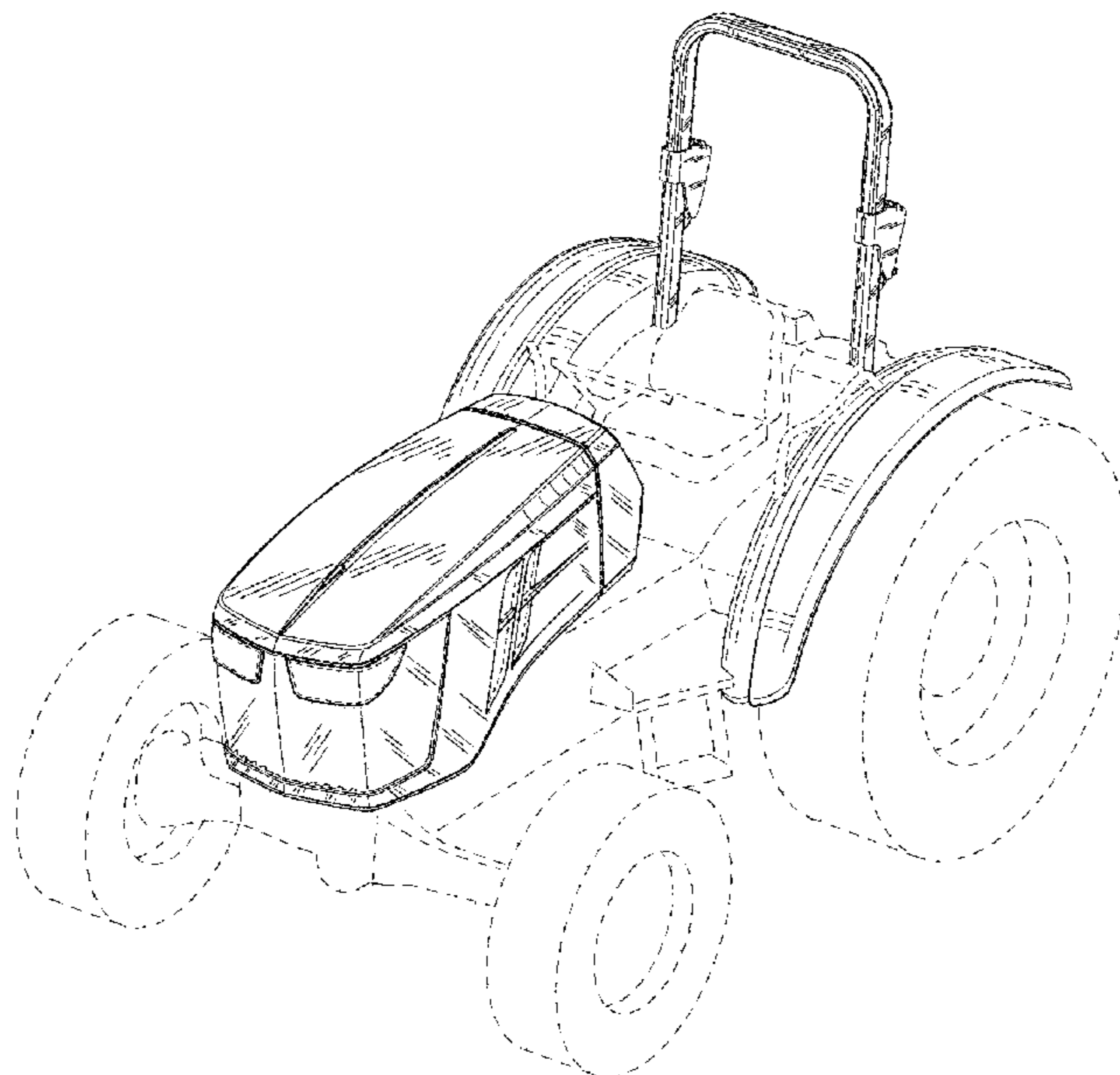
(57) **CLAIM**

The ornamental design for a tractor, as shown and described.

DESCRIPTION

FIG. 1 is a top, front, left perspective view of a tractor embodying our new design;
FIG. 2 is a left side elevational view thereof;
FIG. 3 is a right side elevational view thereof;
FIG. 4 is a front elevational view thereof;
FIG. 5 is a rear elevational view thereof;
FIG. 6 is a top plan view thereof; and,
FIG. 7 is a bottom plan view thereof.
The broken line showing of portions of a tractor is included for the purpose of illustrating environmental use only and forms no part of the claimed design.

1 Claim, 7 Drawing Sheets



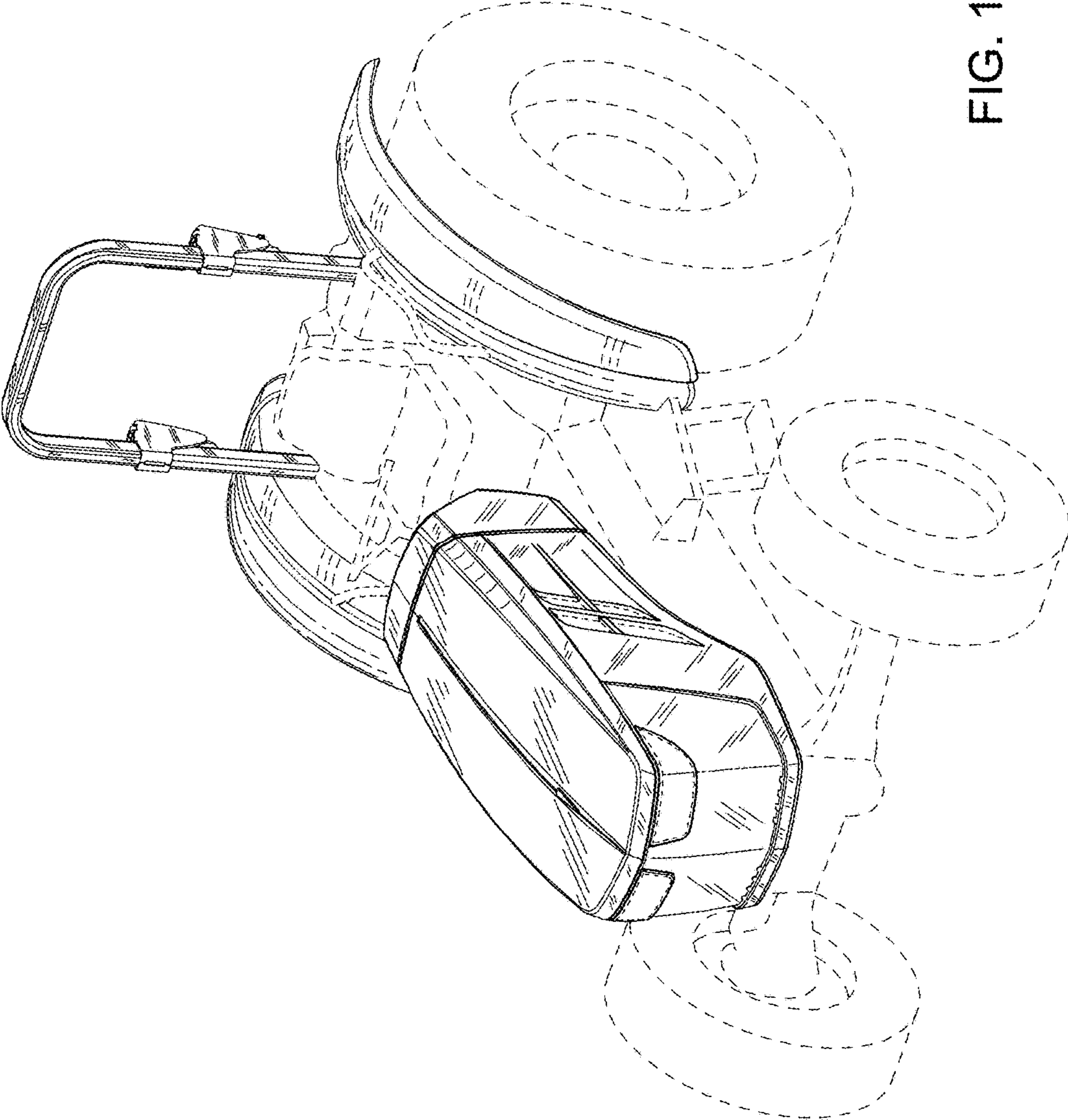


FIG. 1

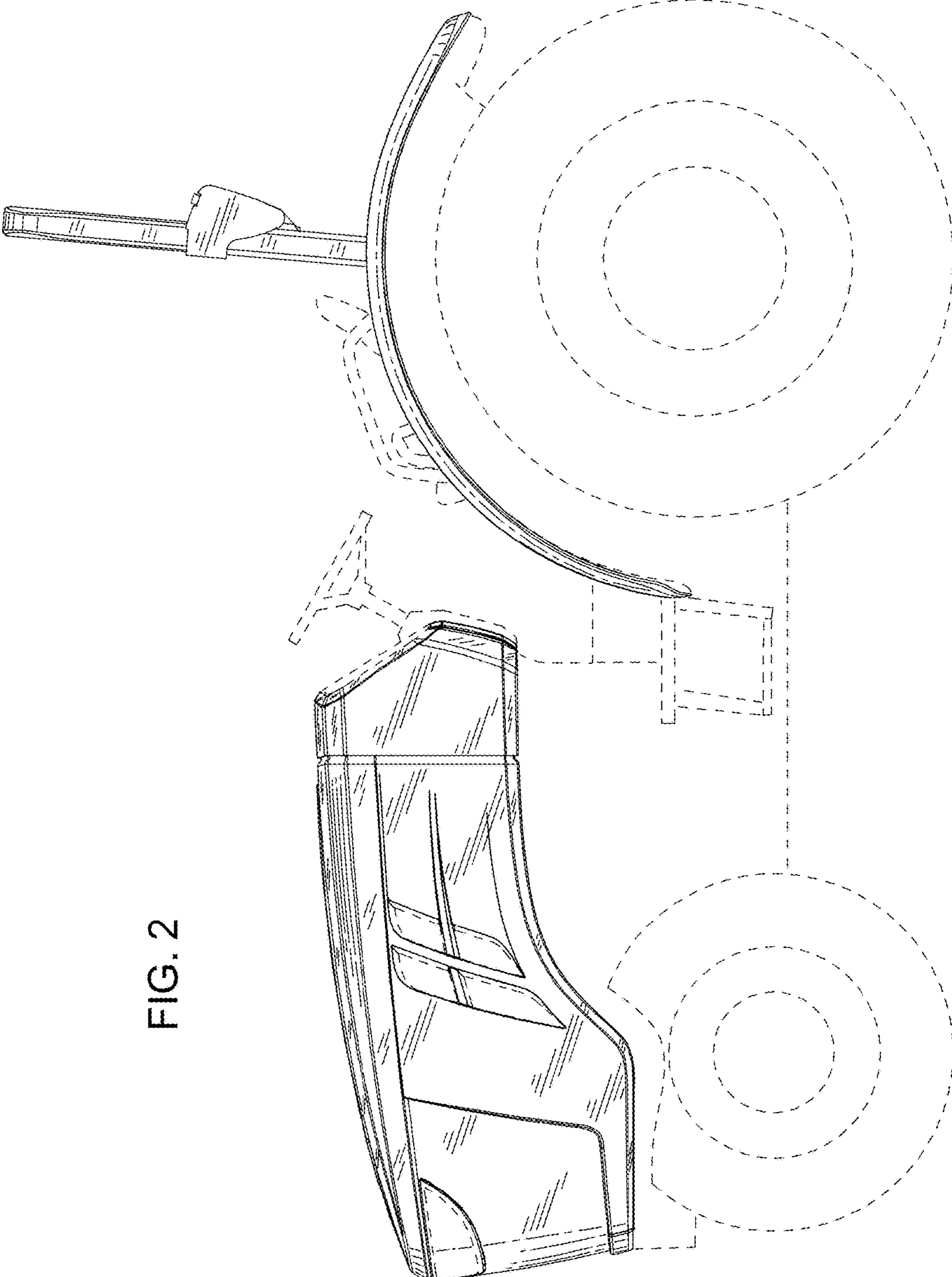


FIG. 2

FIG. 3

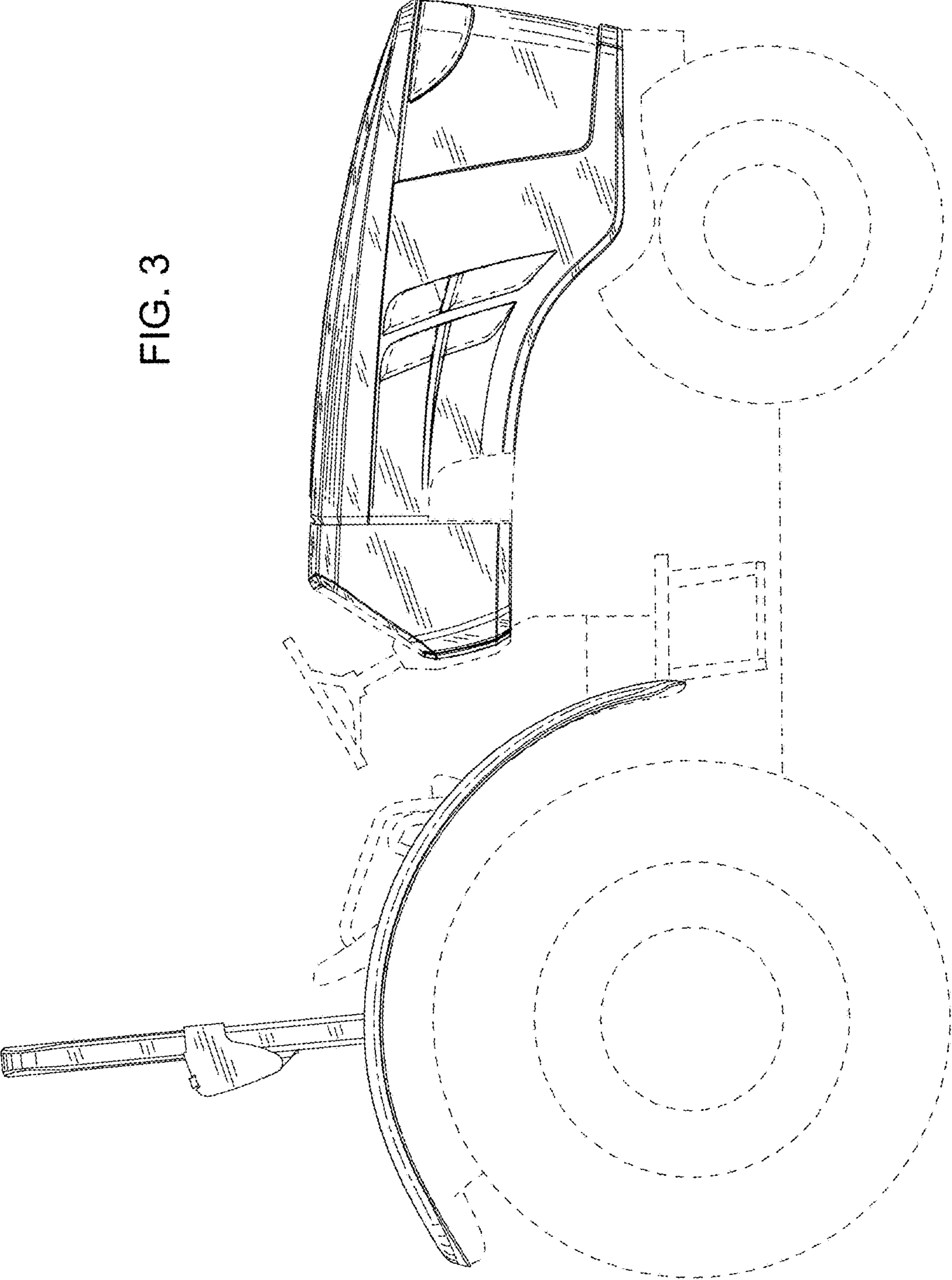


FIG. 4

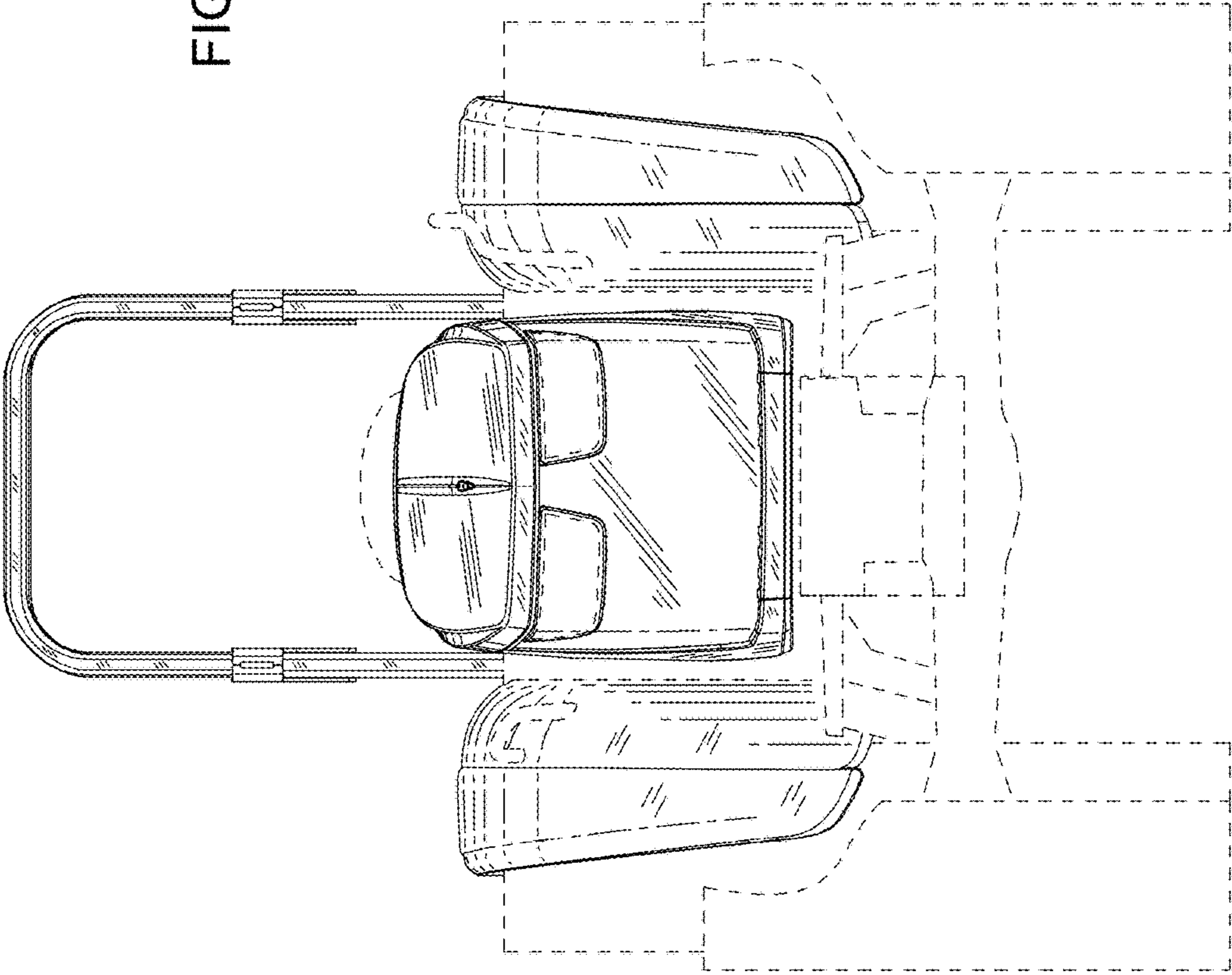
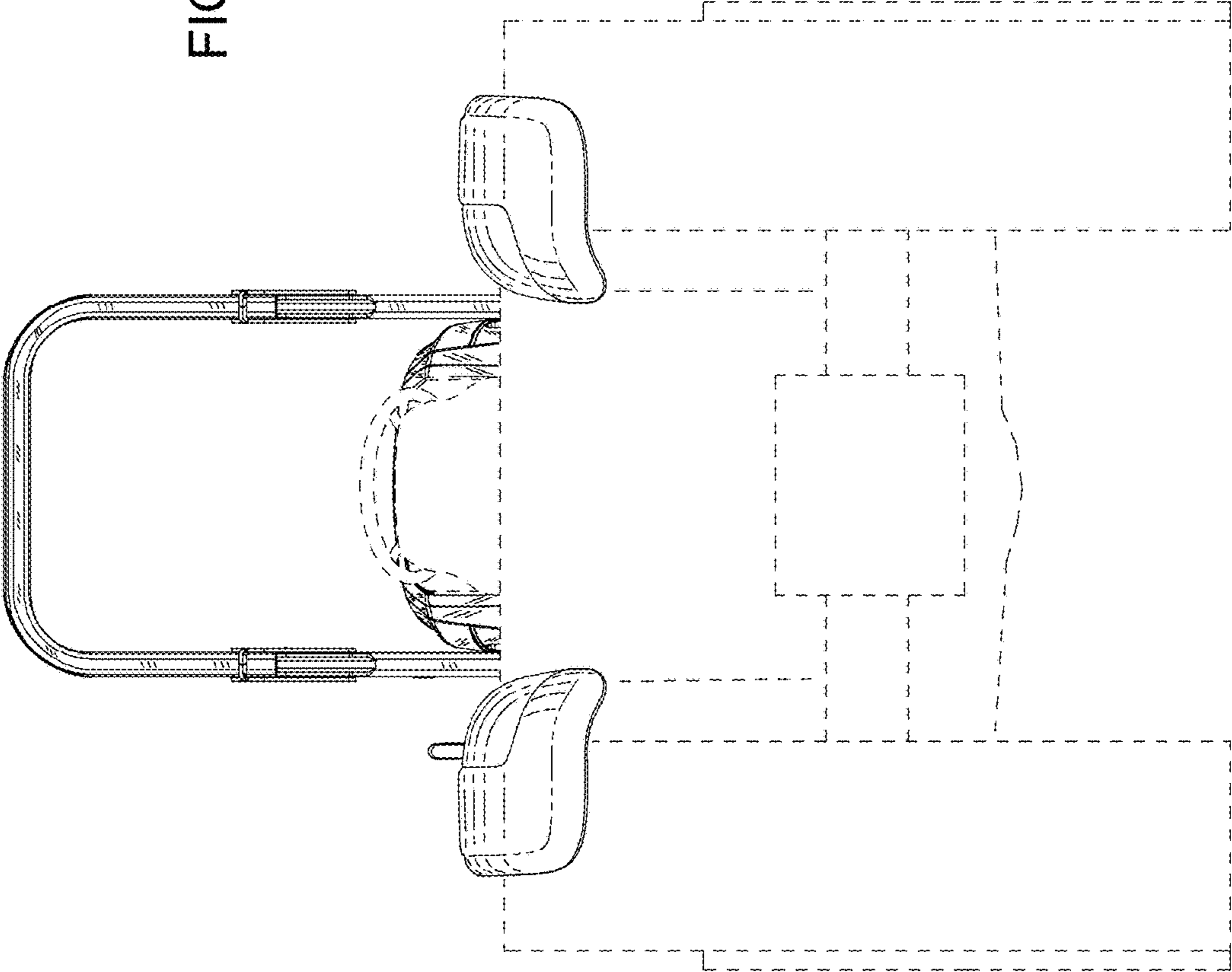


FIG. 5



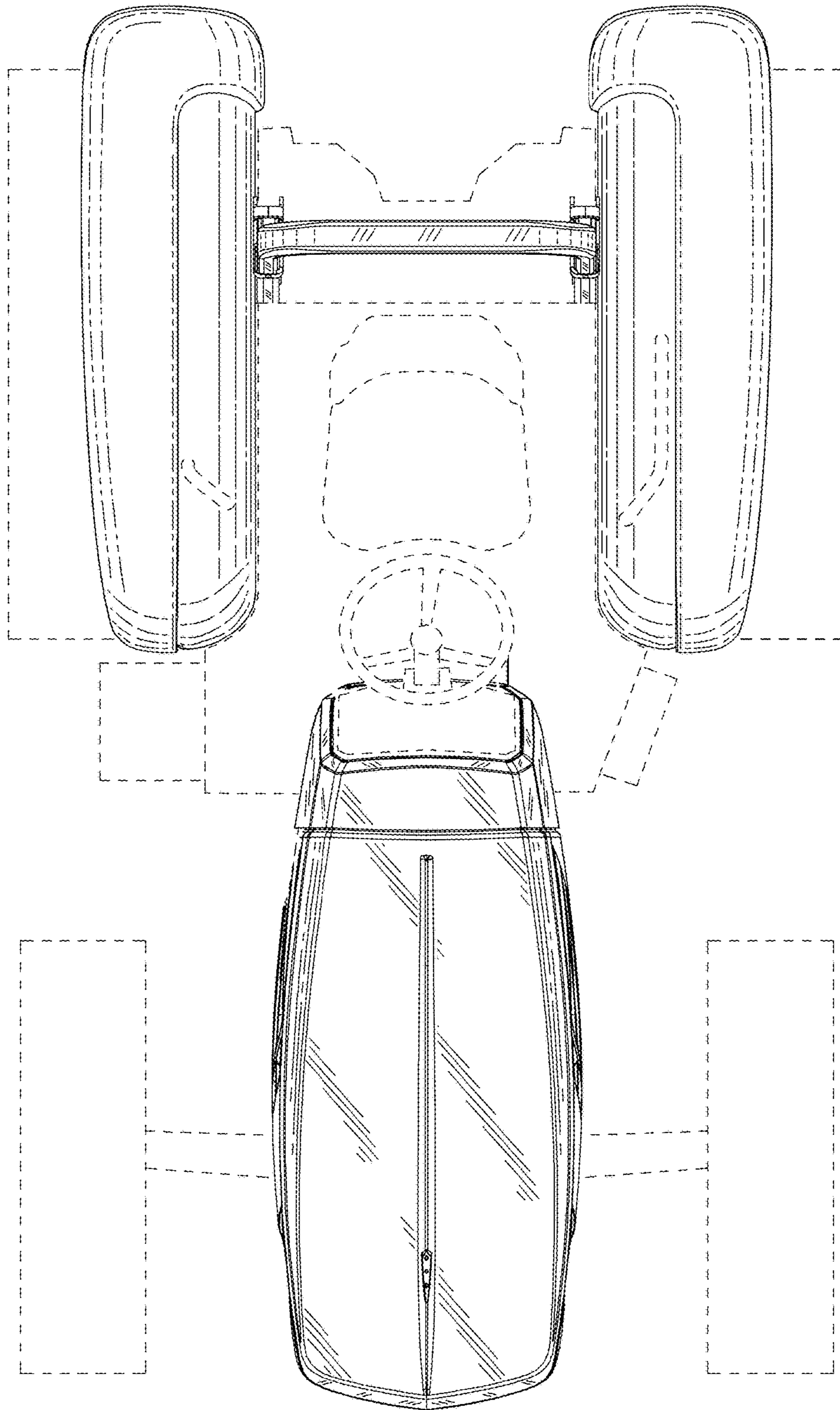


FIG. 6

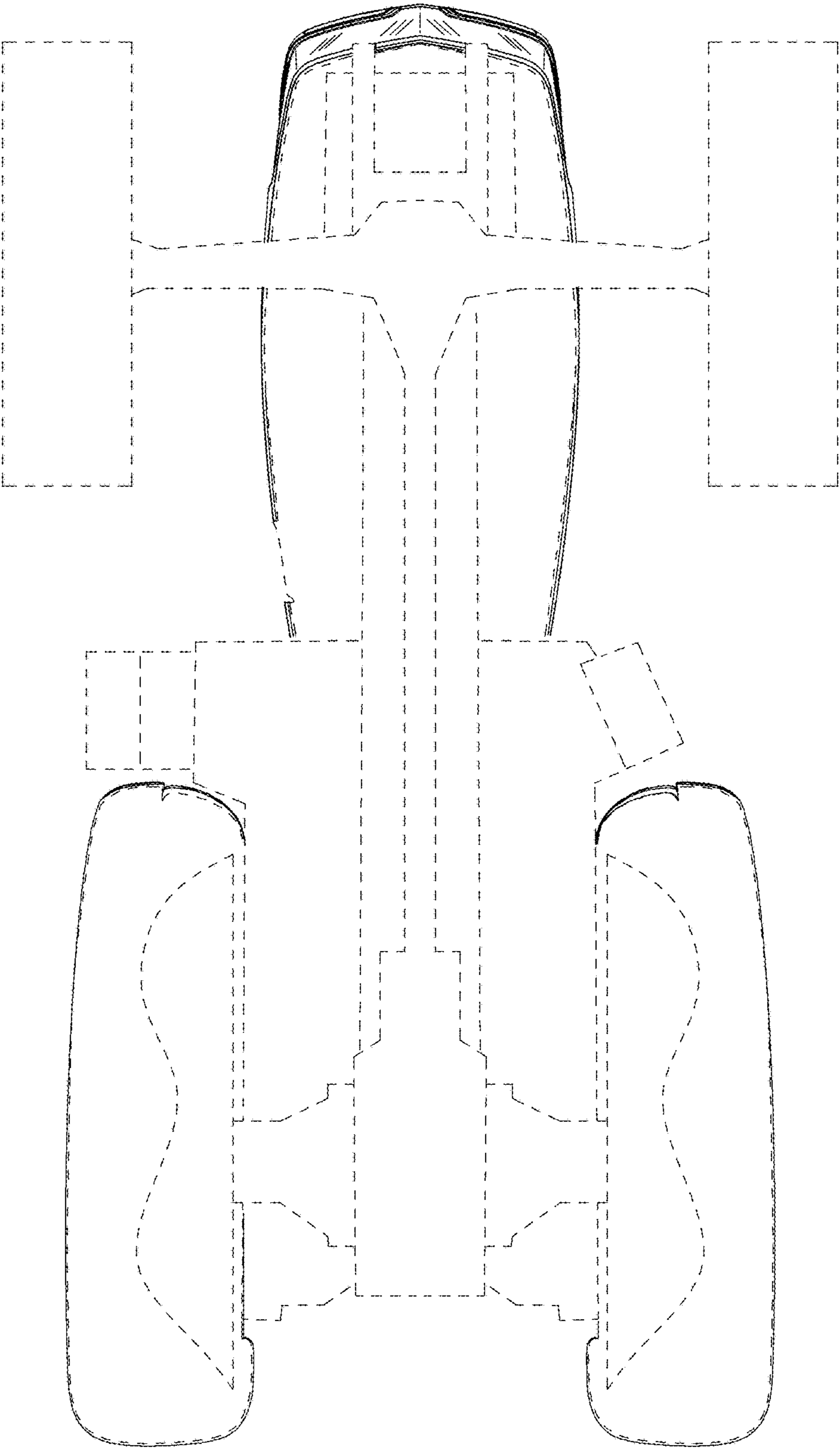


FIG. 7