



US00D816124S

(12) **United States Design Patent**
Wyser

(10) **Patent No.:** **US D816,124 S**
(45) **Date of Patent:** **** Apr. 24, 2018**

(54) **FLOOR STRIPPER AND SCRAPER**

(71) Applicant: **René Wyser**, Zunzgen (CH)

(72) Inventor: **René Wyser**, Zunzgen (CH)

(73) Assignee: **AIRTEC AG**, Zunzgen (CH)

(**) Term: **15 Years**

(21) Appl. No.: **29/585,225**

(22) Filed: **Nov. 22, 2016**

(51) **LOC (11) Cl.** **15-03**

(52) **U.S. Cl.**
USPC **D15/10**

(58) **Field of Classification Search**
USPC D15/10; 15/11.7, 11.8, 93.1, 256.5,
15/256.51, 10.8; 299/37.2, 36.1, 37.1;
180/19.1; D32/49, 46
CPC A47L 11/12; E04G 23/006; E04G 23/00;
F16M 13/02
See application file for complete search history.

(56) **References Cited**

U.S. PATENT DOCUMENTS

- 953,098 A * 3/1910 Mowry et al. A47L 13/08
30/170
- 1,535,411 A * 4/1925 Hansen E01C 23/124
173/162.1
- 2,465,192 A * 3/1949 Booth E04G 23/006
15/93.1
- 2,974,428 A * 3/1961 Krasner E01H 5/02
172/358
- 3,779,605 A * 12/1973 Nieman E04D 15/003
299/37.1
- 4,009,908 A * 3/1977 Alinder E04G 23/006
15/93.1
- 4,162,809 A * 7/1979 Anderson E04D 15/003
15/93.1
- 4,626,033 A * 12/1986 Anderson E04G 23/006
299/37.1

- 4,683,657 A * 8/1987 Anderson B26D 3/28
15/93.1
- 4,691,439 A * 9/1987 Marra E04D 15/003
15/236.05
- 4,699,430 A * 10/1987 Nichols E04D 15/003
15/93.1
- 4,756,578 A * 7/1988 Mims E04D 15/003
15/93.1
- 4,837,933 A * 6/1989 Chapman E04D 15/003
299/37.1
- 4,858,503 A * 8/1989 Dike, Jr. E04D 15/003
299/37.1
- 5,098,165 A * 3/1992 Jacobs B66B 9/16
156/763

(Continued)

OTHER PUBLICATIONS

A brochure of a Floor Stripper/Scraper manufactured by Airtec AG.

Primary Examiner — Mark Goodwin

(74) *Attorney, Agent, or Firm* — Donald J. Ersler

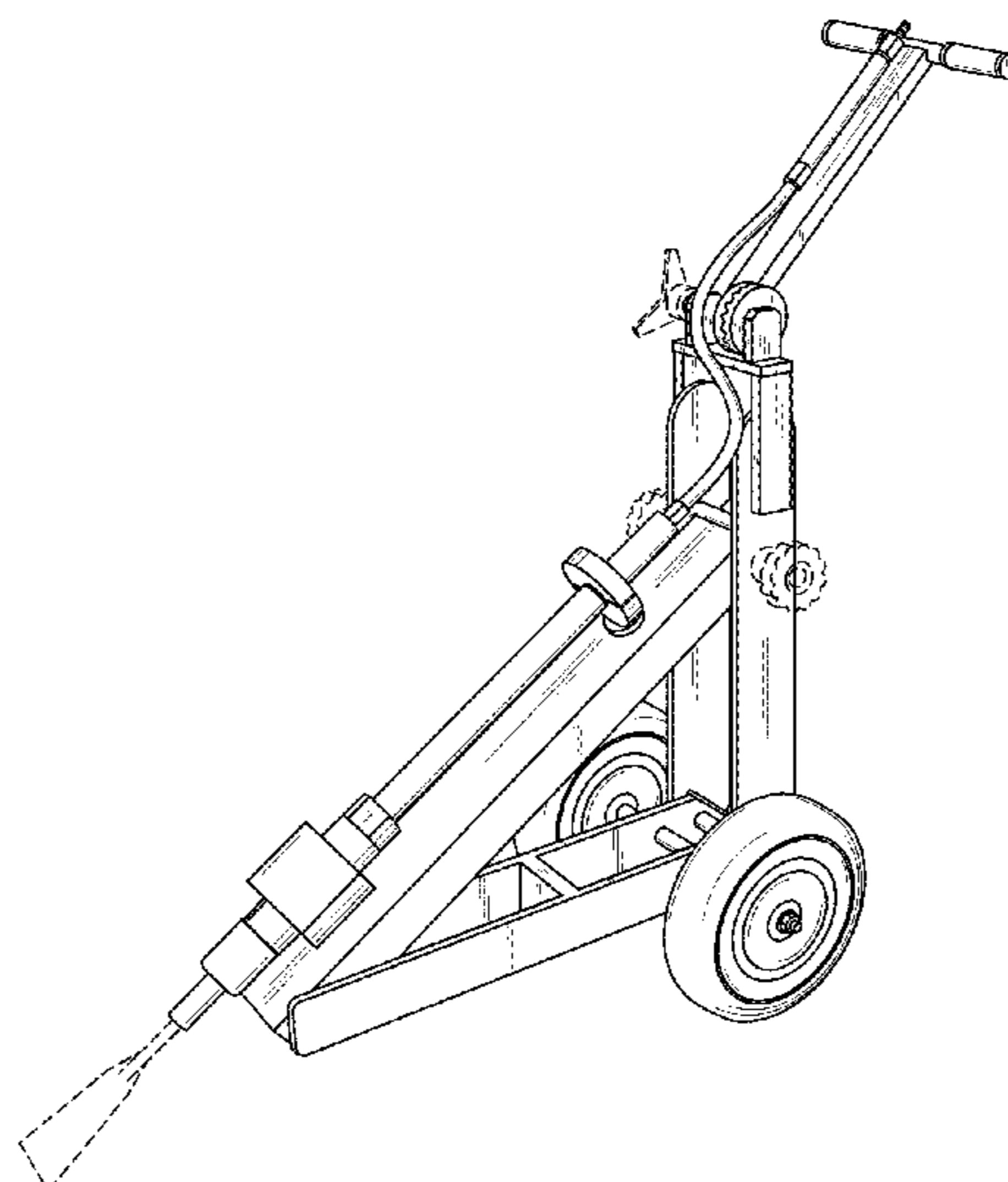
(57) **CLAIM**

The ornamental design for a floor stripper and scraper, as shown and described.

DESCRIPTION

FIG. 1 is a front perspective view of a floor stripper and scraper incorporating my new design; FIG. 2 is a right side view thereof; FIG. 3 is a left side view thereof; FIG. 4 is a top plan view thereof; FIG. 5 is a bottom plan view thereof; FIG. 6 is a front view thereof; FIG. 7 is a rear view thereof; and, FIG. 8 is a rear perspective view thereof. The broken lines shown in the drawings illustrate portions of the floor stripper and scraper that form no part of the claimed invention.

1 Claim, 8 Drawing Sheets



(56)

References Cited

U.S. PATENT DOCUMENTS

5,218,766 A * 6/1993 Himebaugh E04D 15/003
30/170
5,800,021 A * 9/1998 Derr E04D 15/003
15/93.1
5,863,100 A * 1/1999 Martin E04D 15/003
299/37.1
6,135,566 A * 10/2000 Anderson E04G 23/006
299/36.1
6,257,094 B1 * 7/2001 Babich E04D 15/003
30/170
6,609,762 B2 * 8/2003 Anderson E04G 23/006
299/36.1
D509,835 S * 9/2005 Byrne D15/10
7,152,930 B2 * 12/2006 Jertson E04G 23/006
15/93.1
7,216,567 B1 * 5/2007 Nelson E04D 15/003
30/169
7,373,859 B1 * 5/2008 Shirlin E04D 15/003
30/170
D588,318 S * 3/2009 van Deursen D32/49
7,712,839 B1 * 5/2010 Chen E04G 23/006
15/93.1
8,176,815 B2 * 5/2012 Sparks E04D 15/003
299/37.1
2002/0190568 A1 * 12/2002 Anderson E21C 35/08
299/1.4
2006/0022509 A1 * 2/2006 Jertson E04G 23/006
299/37.1
2017/0002576 A1 * 1/2017 Chambers E04G 23/006

* cited by examiner

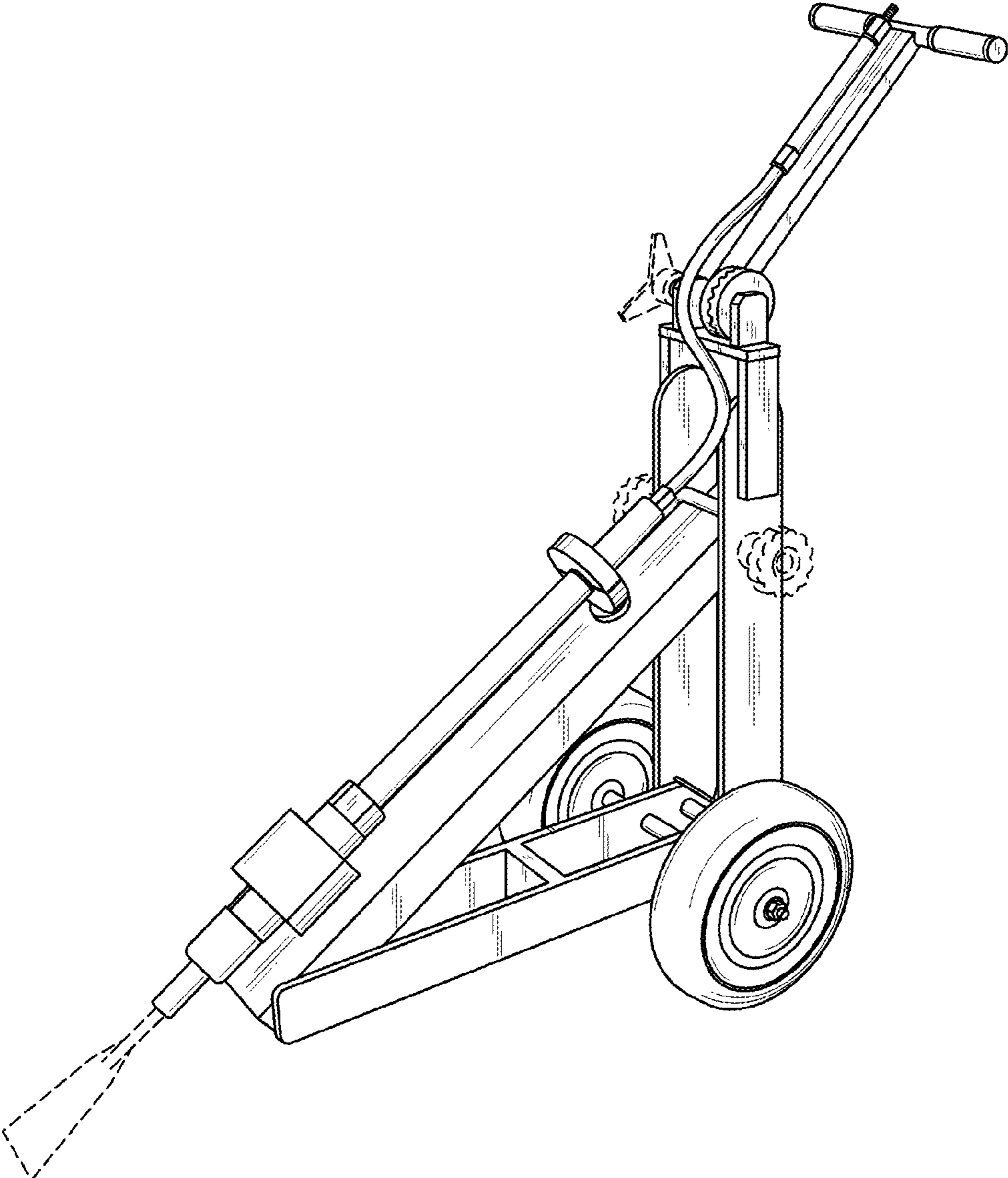


FIG. 1

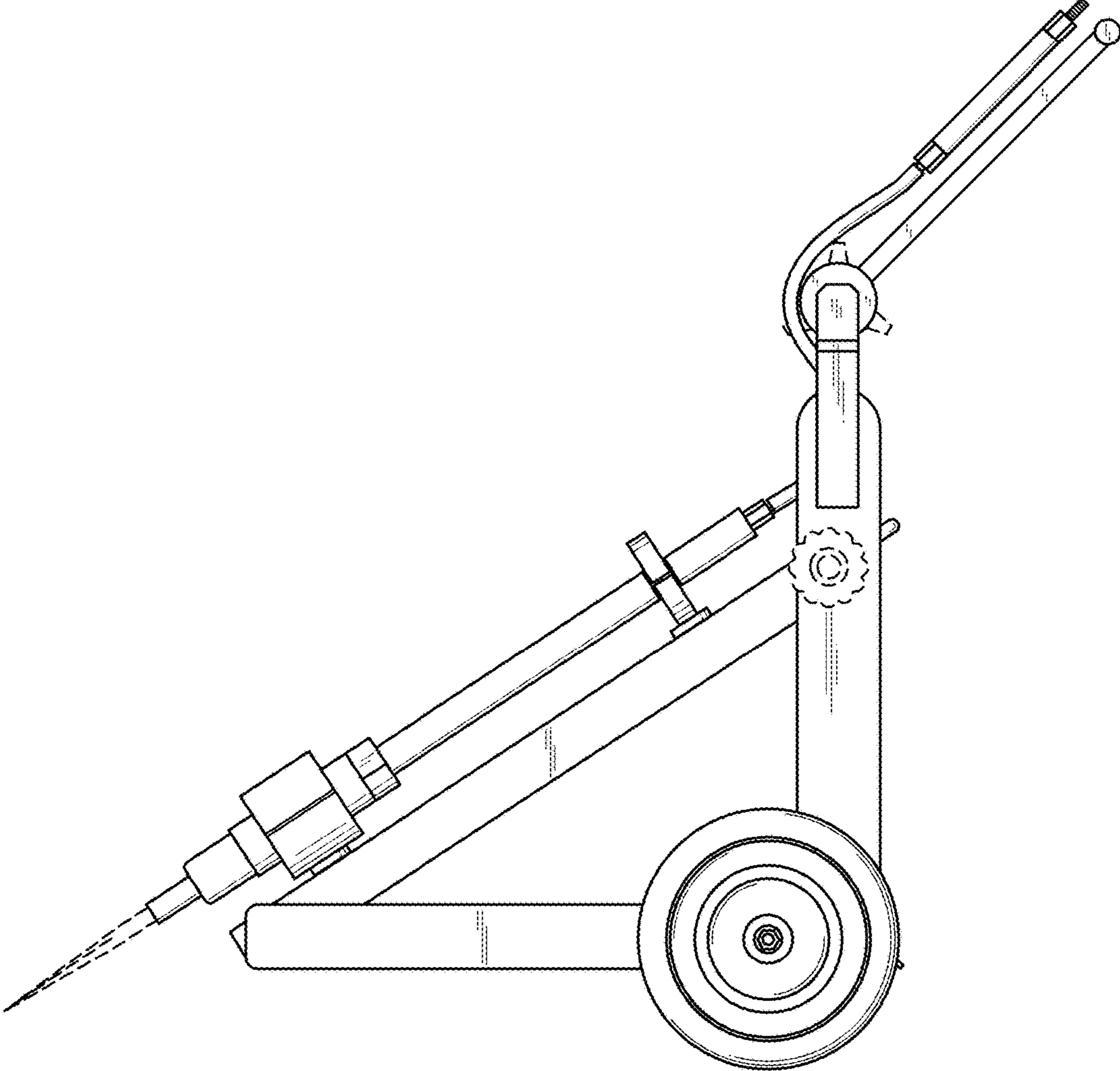


FIG. 2

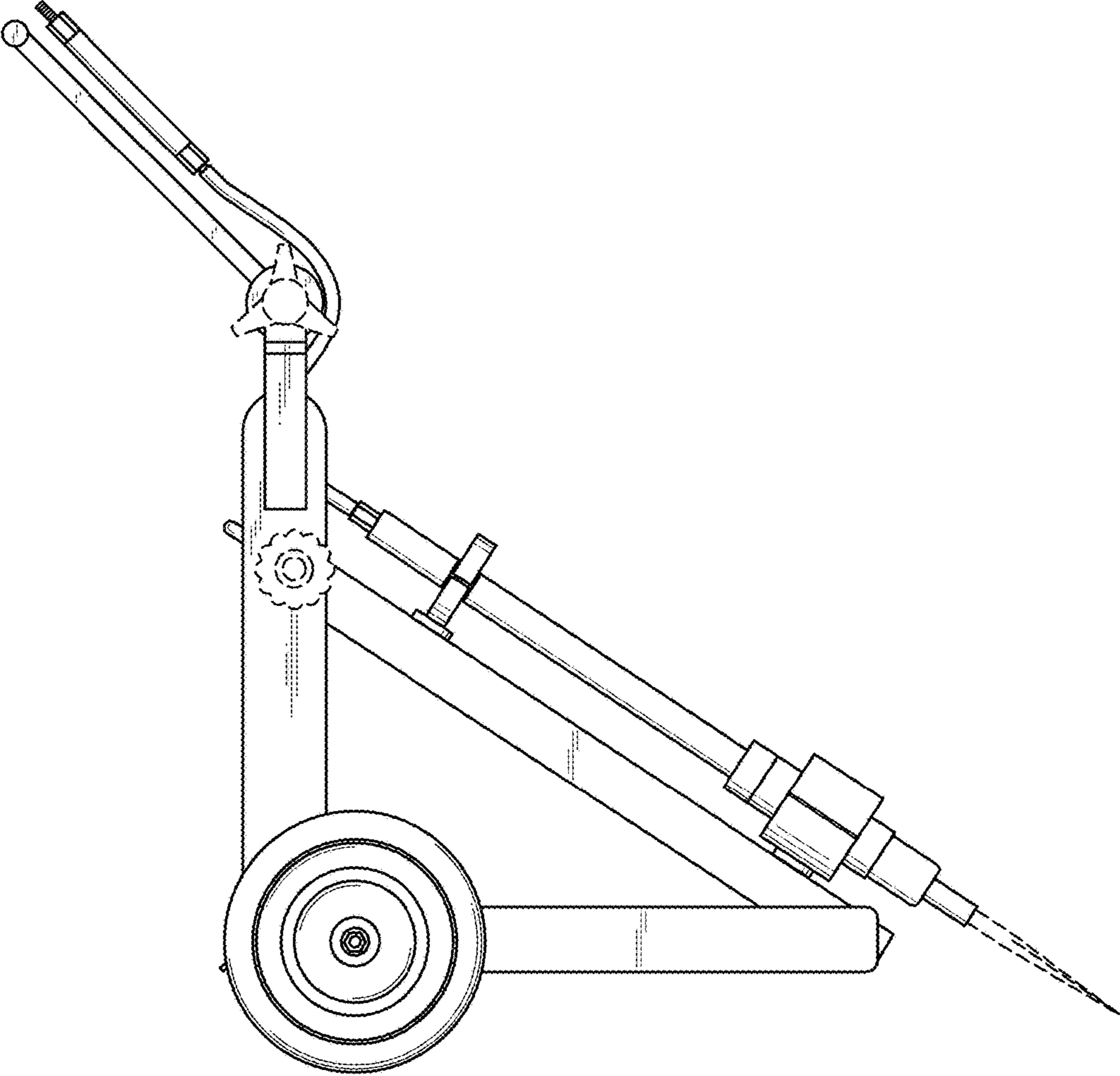


FIG. 3

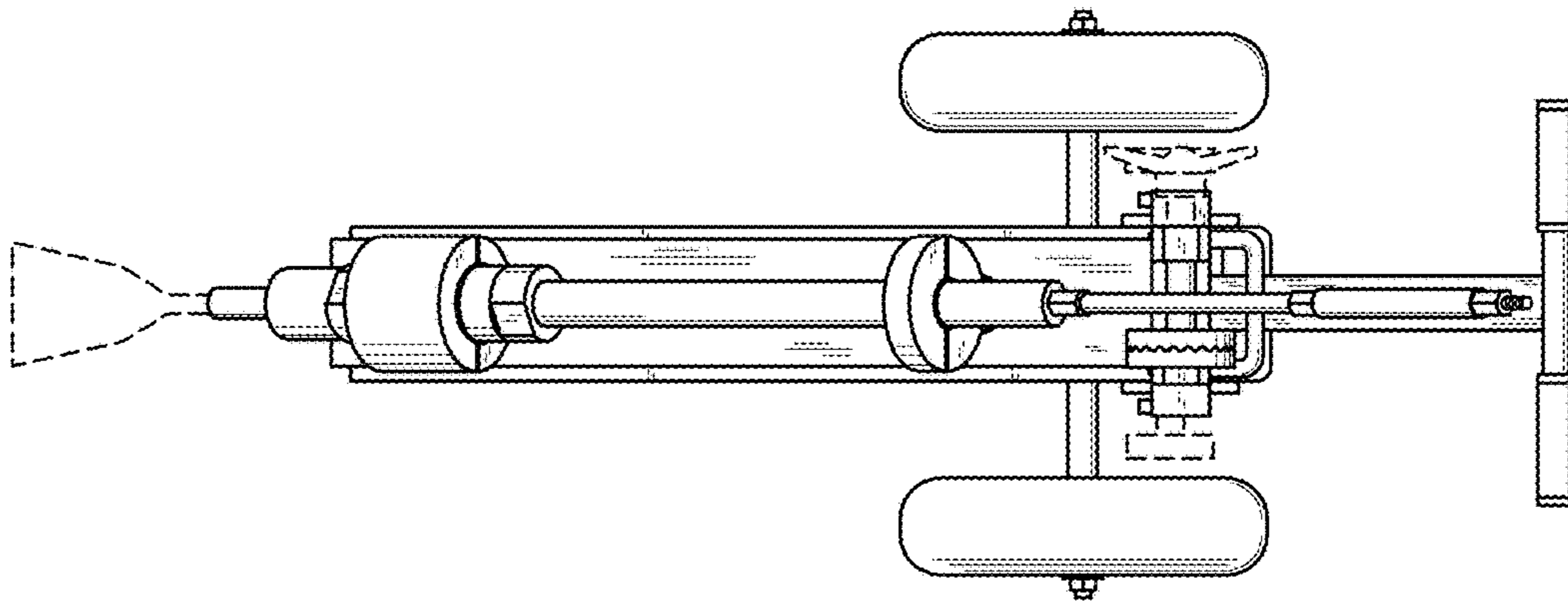


FIG. 4

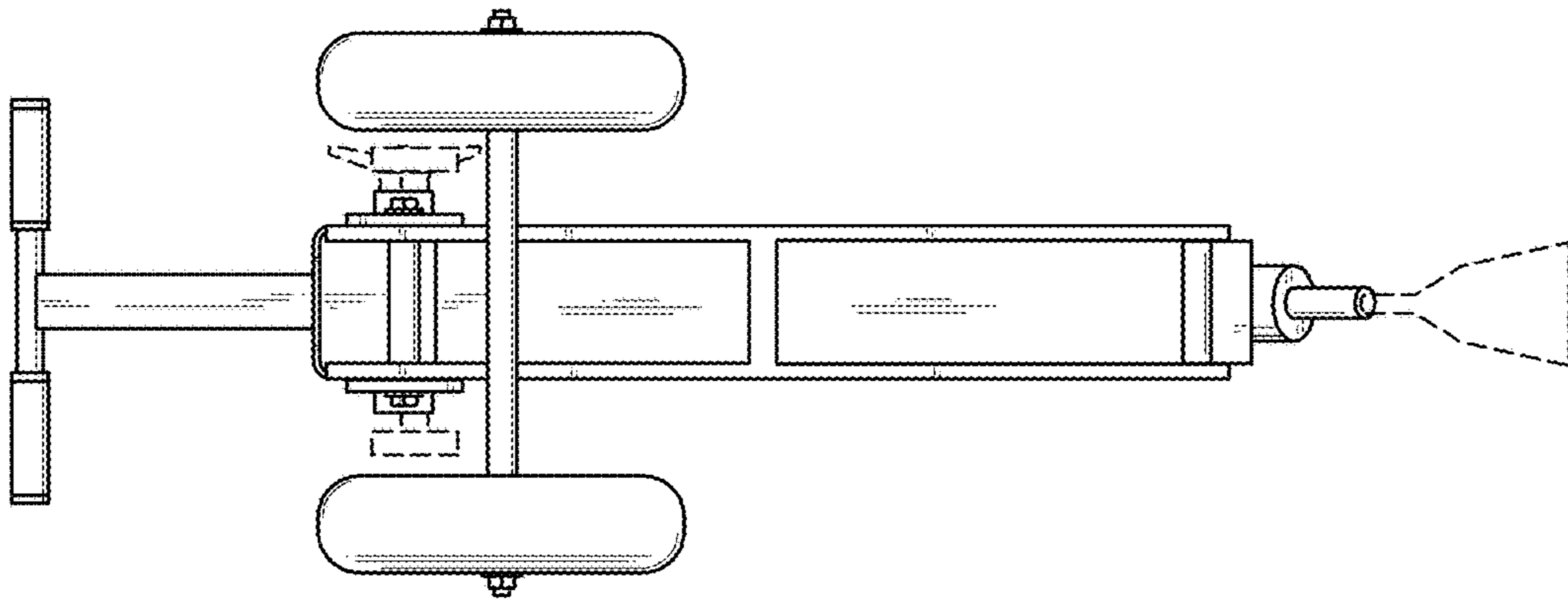


FIG. 5

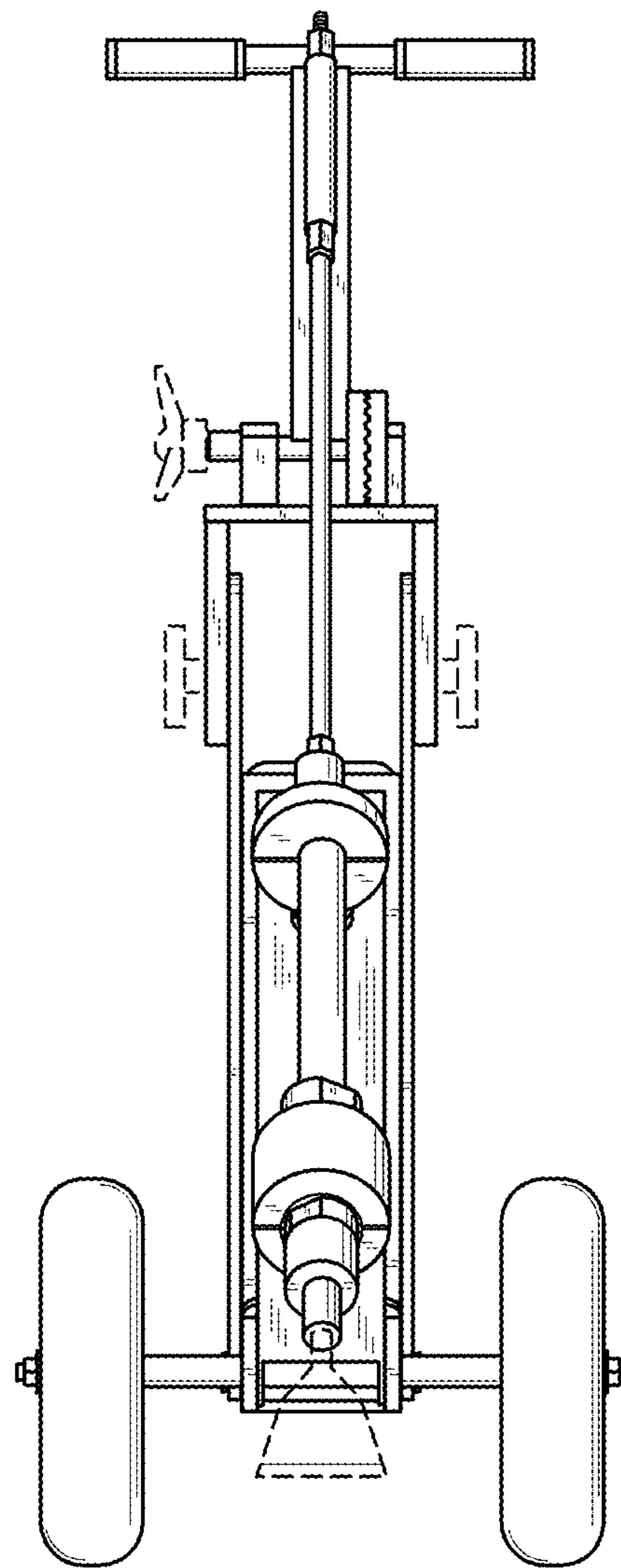


FIG. 6

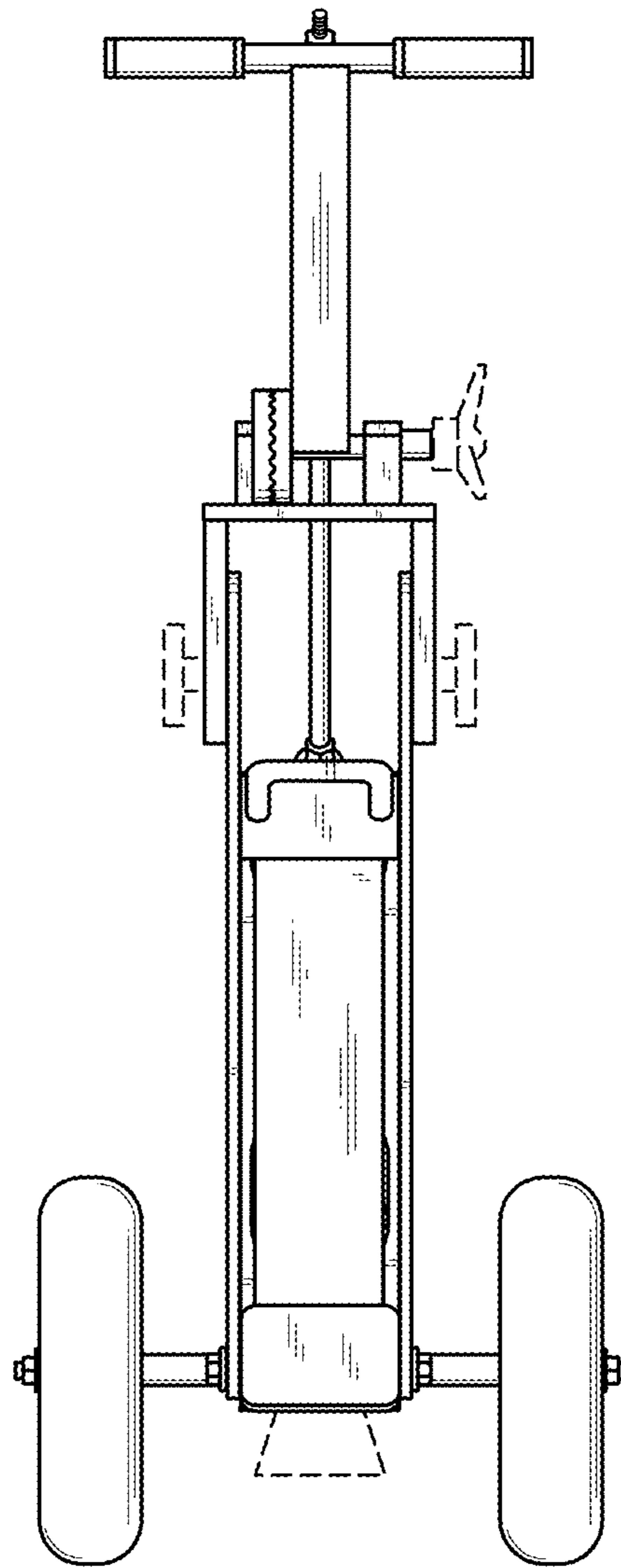


FIG. 7

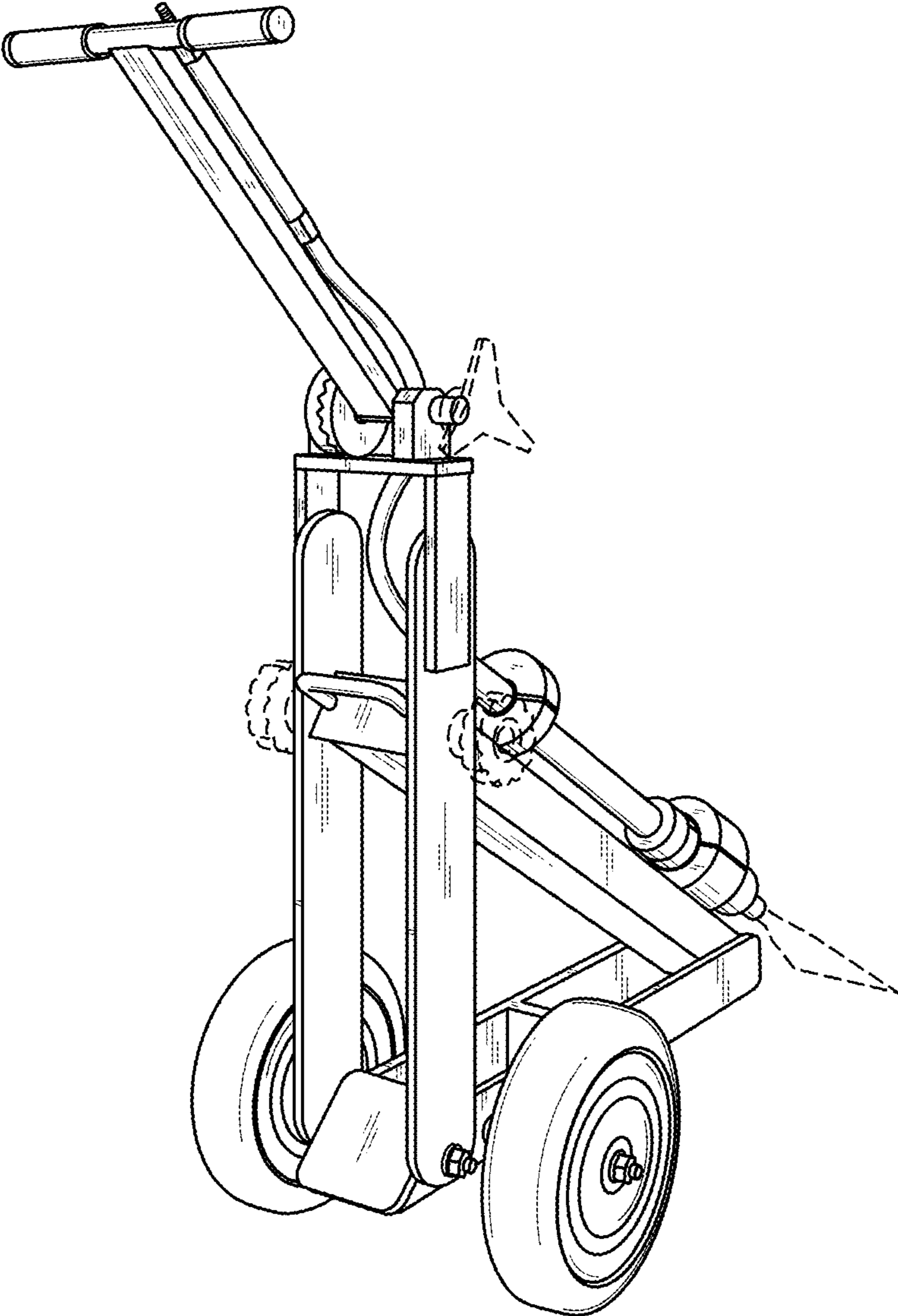


FIG. 8