



US00D816123S

(12) **United States Design Patent**
Hawkins

(10) **Patent No.:** **US D816,123 S**
(45) **Date of Patent:** **** Apr. 24, 2018**

- (54) **FRAME FOR AIR COMPRESSOR**
- (71) Applicant: **AMERICAN FAB, INC.**, Travelers Rest, SC (US)
- (72) Inventor: **Bobby L. Hawkins**, Travelers Rest, DC (US)
- (73) Assignee: **AMERICAN FAB, INC.**, Travelers Rest, SC (US)

- D500,328 S * 12/2004 Lucchi D15/9
- 6,942,464 B2 * 9/2005 Brashears F04B 35/06
417/234
- 6,991,437 B2 * 1/2006 Cherry F04B 35/06
417/234
- 7,029,240 B2 * 4/2006 Baron F04B 35/06
417/234
- D529,518 S * 10/2006 Buck D15/9
- D574,020 S * 7/2008 Buck D15/9
- D580,610 S * 11/2008 Hawkins D32/25
- D590,110 S * 4/2009 Hawkins D32/25
- D602,503 S * 10/2009 Lucchi D15/9

- (**) Term: **15 Years**
- (21) Appl. No.: **29/601,926**
- (22) Filed: **Apr. 27, 2017**

Primary Examiner — Ralf Seifert
(74) *Attorney, Agent, or Firm* — J. Bennett Mullinax, LLC

Related U.S. Application Data

- (63) Continuation of application No. 29/525,849, filed on May 4, 2015, now Pat. No. Des. 788,825.
- (51) **LOC (11) Cl.** **15-02**
- (52) **U.S. Cl.**
USPC **D15/9**
- (58) **Field of Classification Search**
USPC D15/7-9; D23/231, 232, 225; 417/60, 417/235, 265, 321, 355, 358, 363, 359, 417/410.1, 415-416, 405, 900, 269, 539, 417/234; 60/408, 412; 184/26-37; 415/140-147; 123/495, 509; 137/565.34
CPC F02M 37/04; F02M 37/14; F04B 53/92; F04B 1/005; F04B 35/86; F04B 41/02; F04B 35/06; F04B 35/002
See application file for complete search history.

(57) **CLAIM**

The ornamental design for a frame for air compressor, as shown and described.

DESCRIPTION

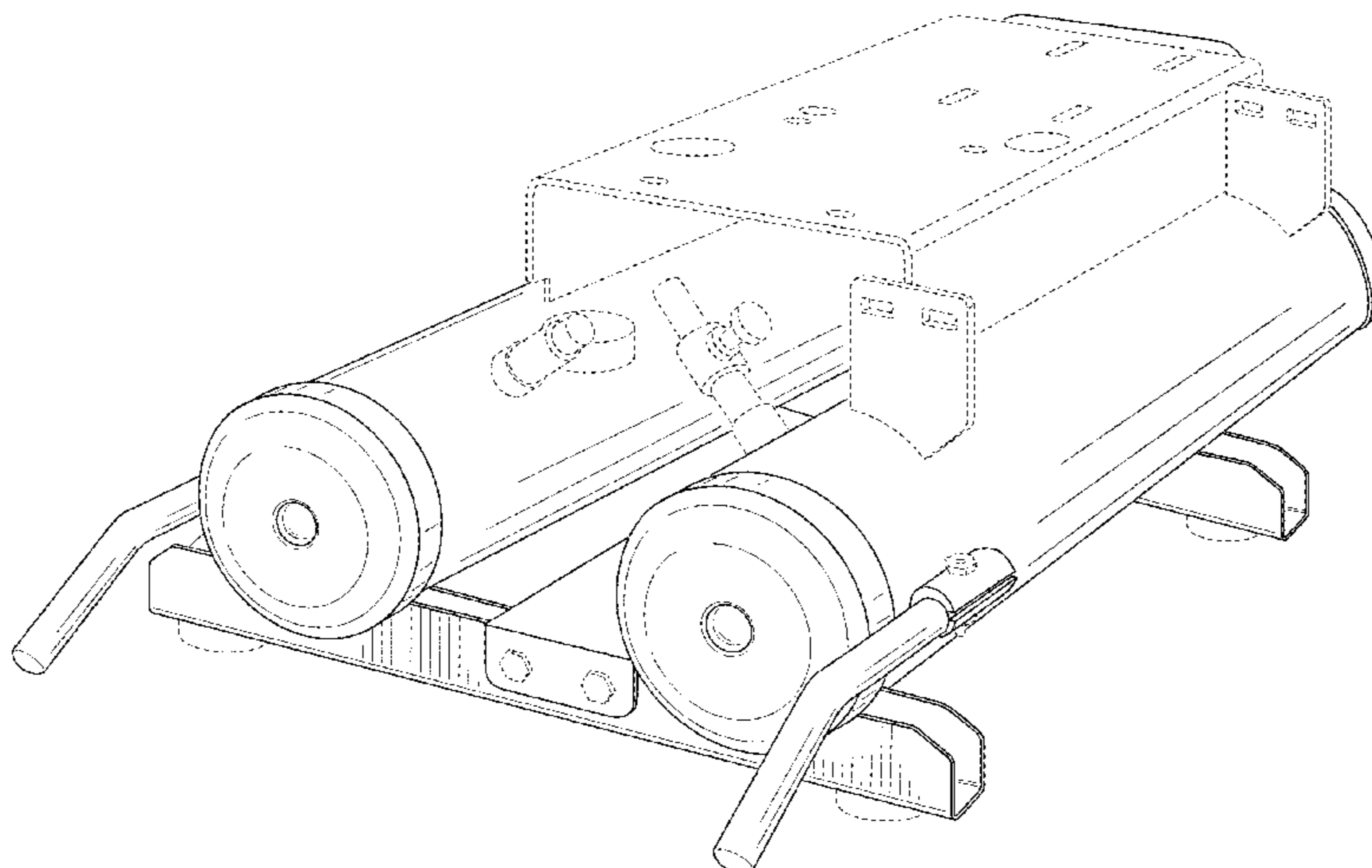
FIG. 1 is a perspective view of the frame for air compressor according to the present design;
 FIG. 2 is a left side view of the frame for air compressor as shown in FIG. 1;
 FIG. 3 is a righty side view of the frame for air compressor as shown in FIG. 1;
 FIG. 4 is a top view of the frame for air compressor as shown in FIG. 1;
 FIG. 5 is a bottom view of the frame for air compressor as shown in FIG. 1;
 FIG. 6 is a rear view of the frame for air compressor as shown in FIG. 1; and,
 FIG. 7 is a front view of the frame for air compressor as shown in FIG. 1;
 The broken lines shown in the FIGS. 1-7 are included for the purpose of illustrating environment and form no part of the claimed design.

(56) **References Cited**

U.S. PATENT DOCUMENTS

- D449,311 S * 10/2001 Graber D15/9
- 6,406,270 B1 * 6/2002 Kopel F04B 35/002
417/234
- 6,551,066 B2 * 4/2003 Saylor F04B 35/06
417/234
- D500,050 S * 12/2004 Lucchi D15/7

1 Claim, 6 Drawing Sheets



(56)

References Cited

U.S. PATENT DOCUMENTS

D655,467	S	*	3/2012	Hawkins	D32/25
D662,517	S	*	6/2012	Hawkins	D15/9
D668,267	S	*	10/2012	Hawkins	D15/7
D788,825	S	*	6/2017	Hawkins	D15/7
2008/0240936	A1	*	10/2008	Ritterling	F04B 35/06 417/234

* cited by examiner

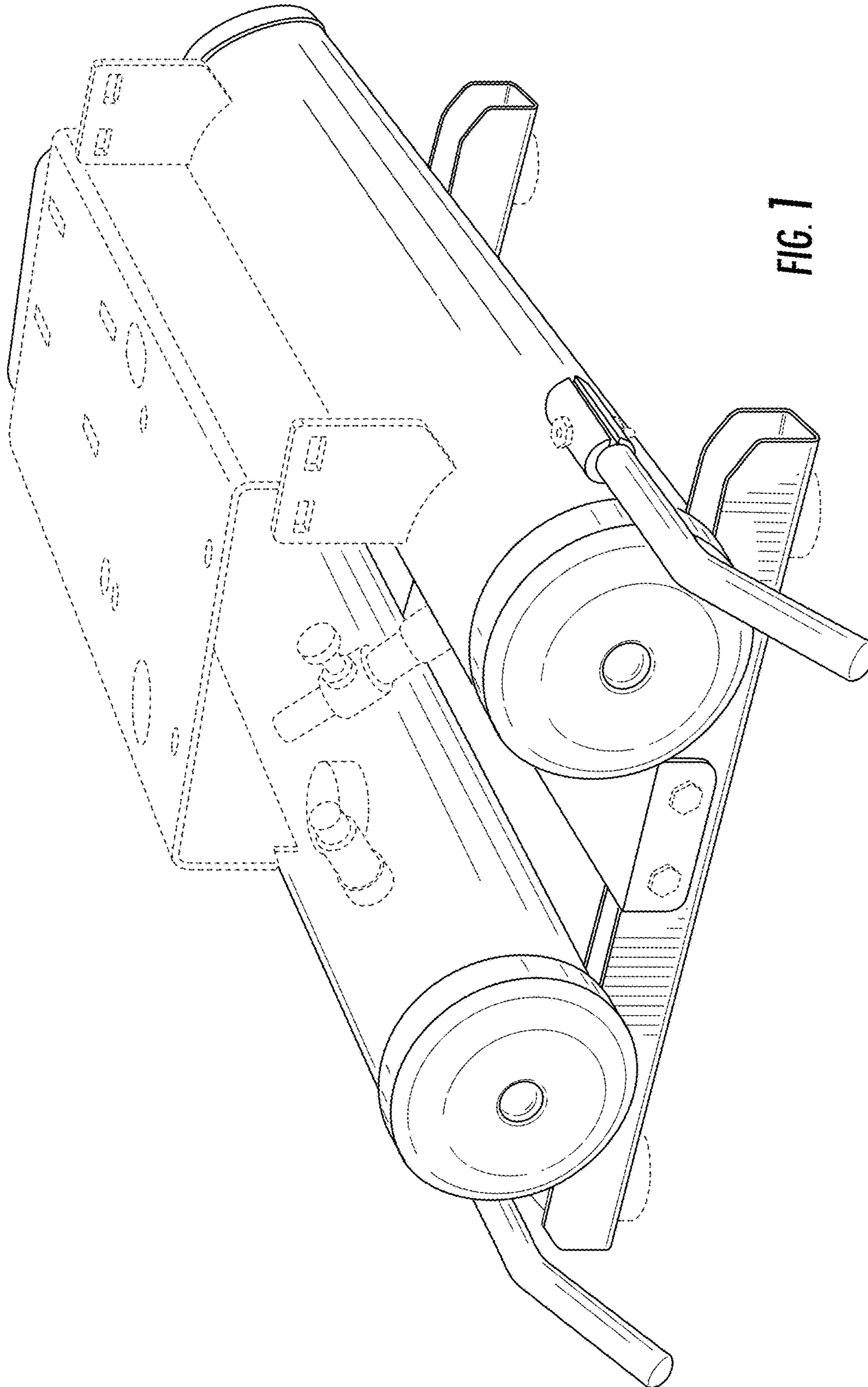


FIG. 1

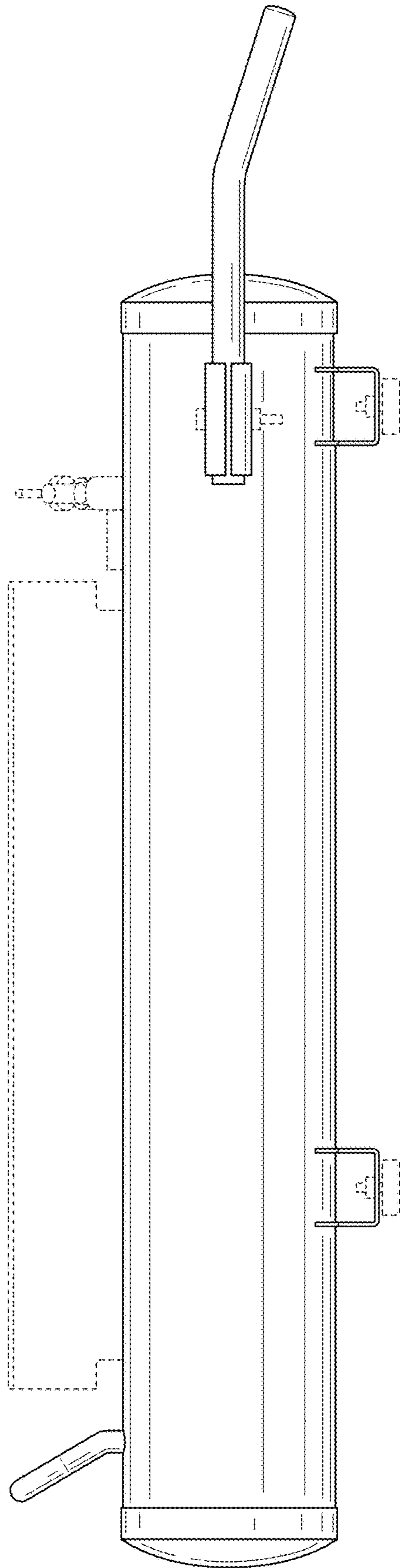


FIG. 2

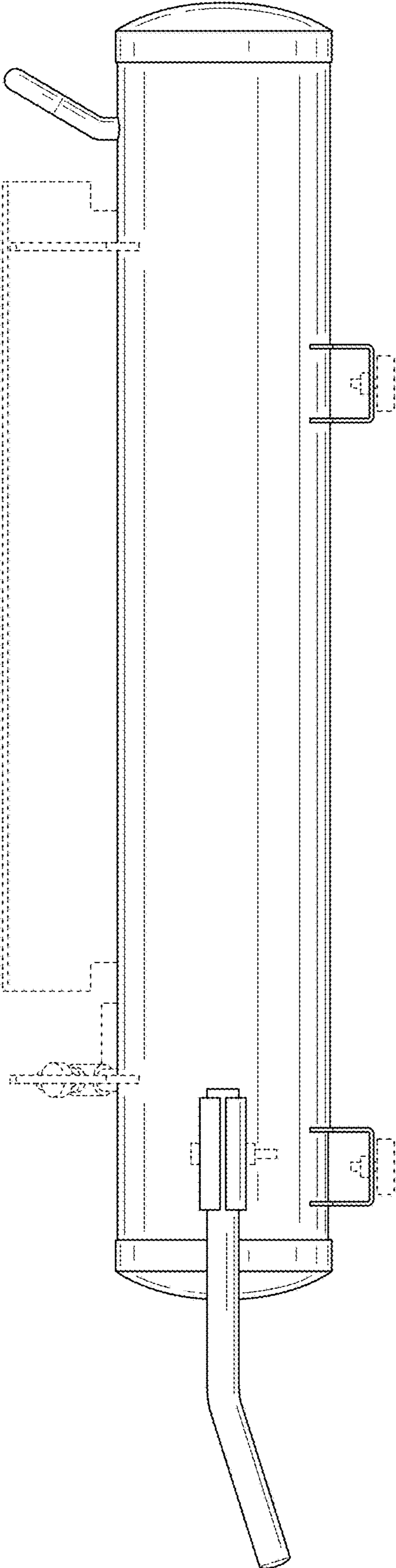


FIG. 3

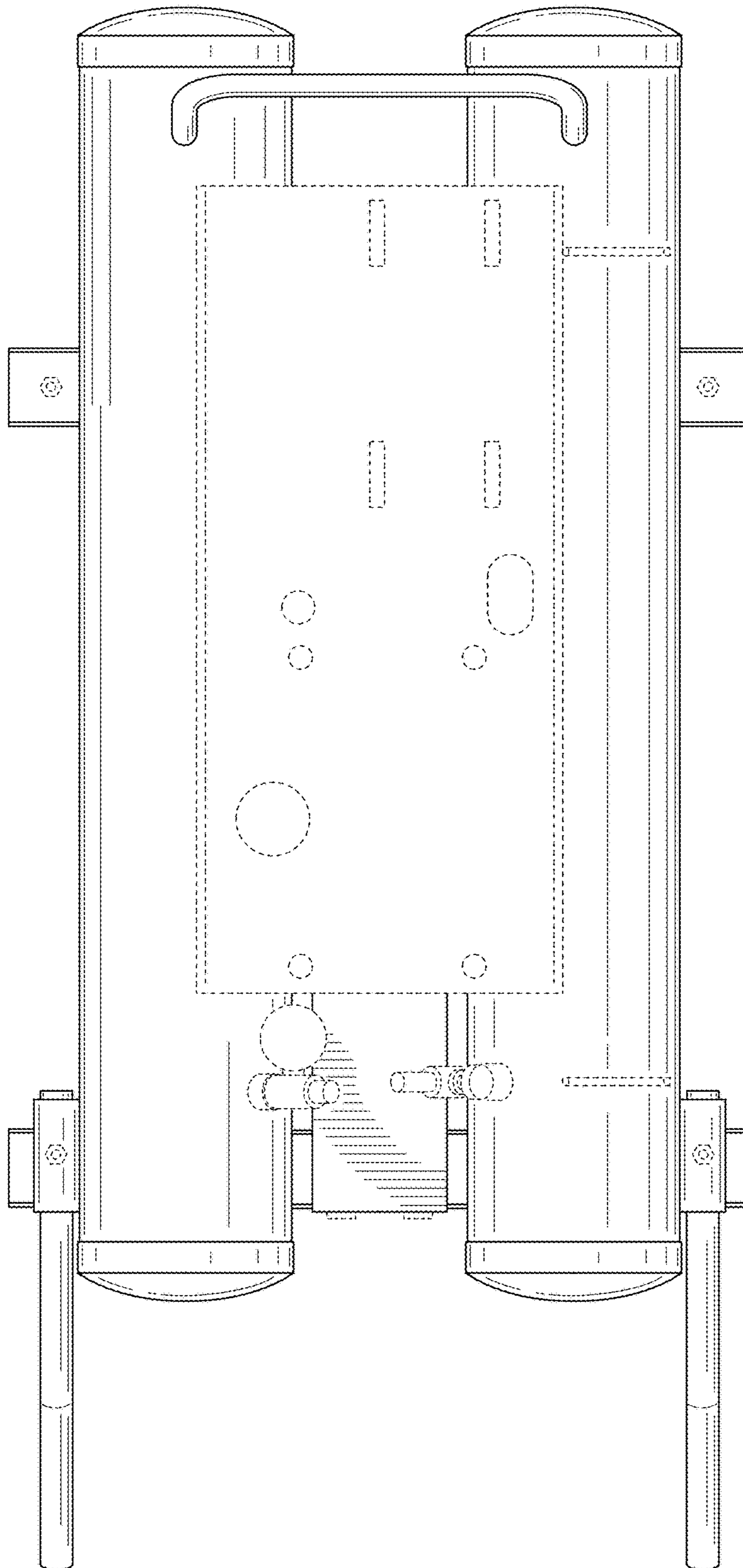


FIG. 4

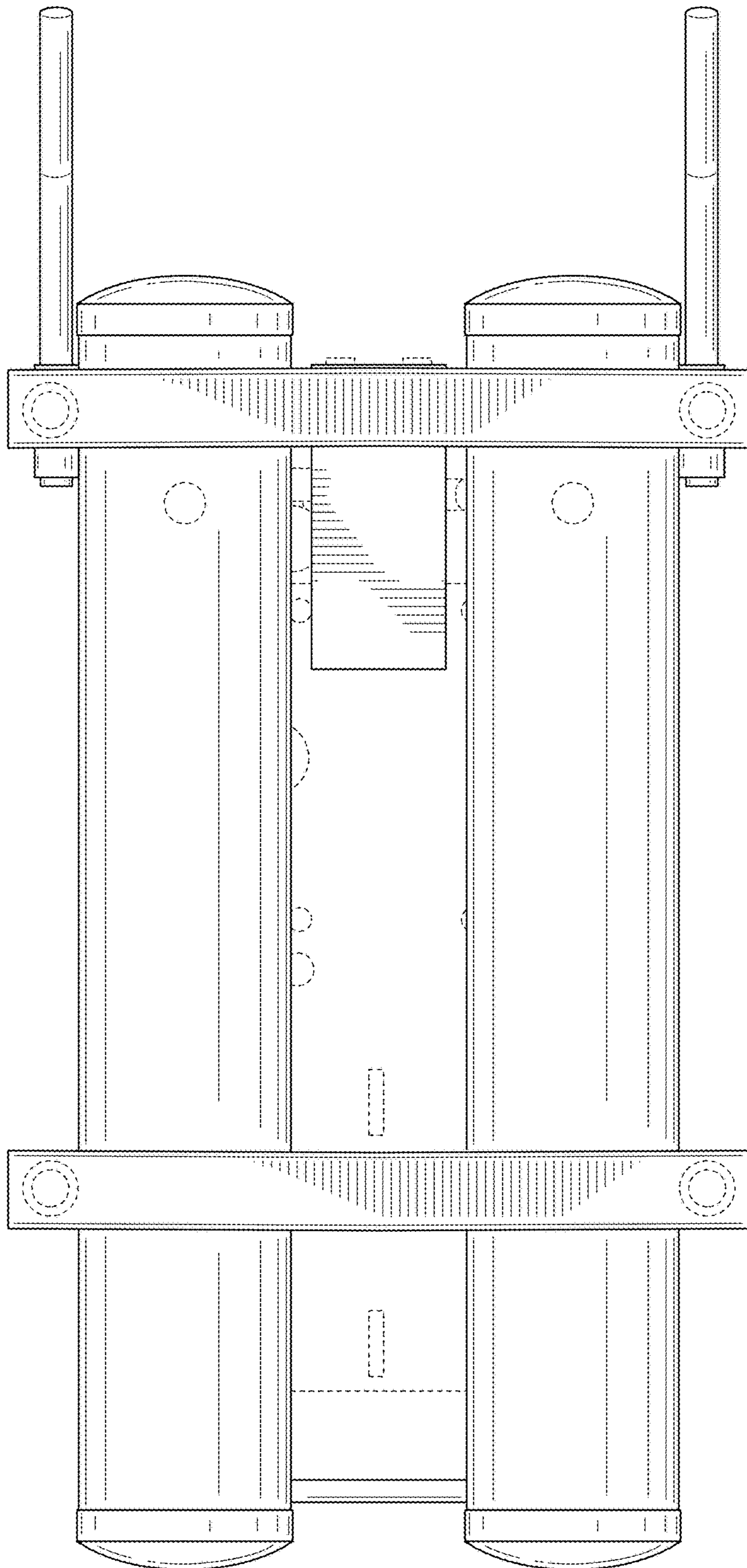


FIG. 5

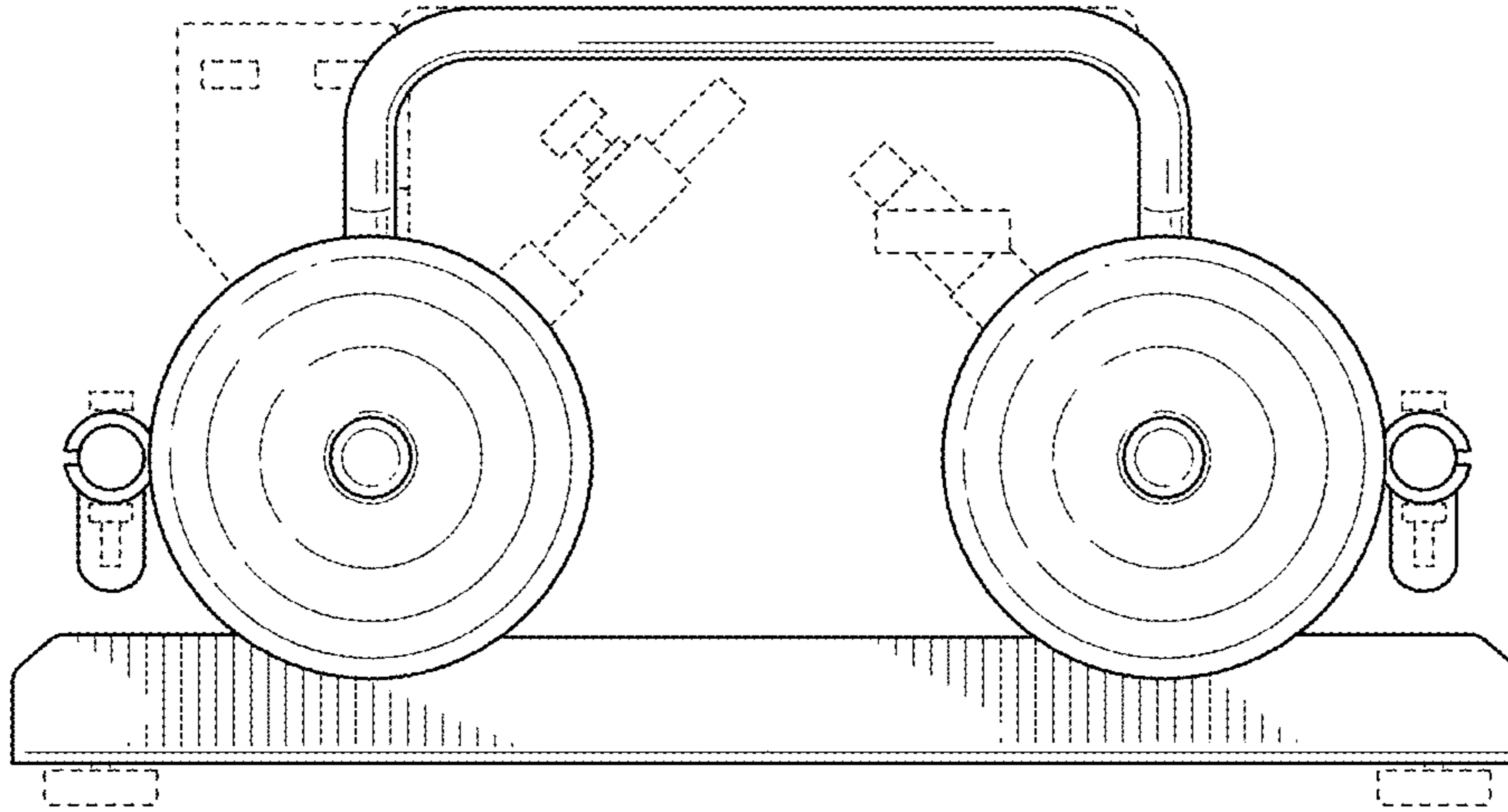


FIG. 6

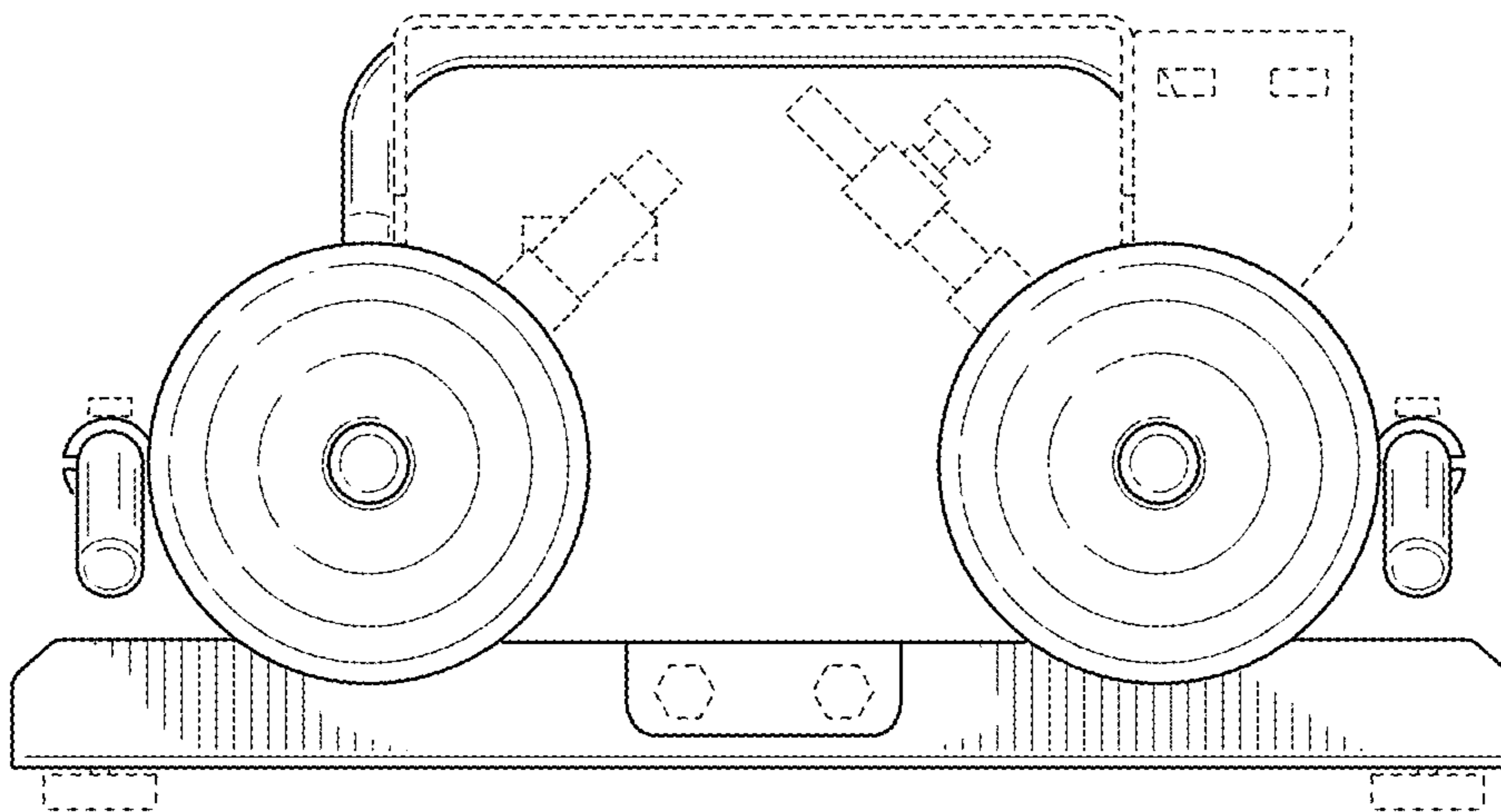


FIG. 7