



US00D816122S

(12) **United States Design Patent**
Mish et al.

(10) **Patent No.:** **US D816,122 S**
(45) **Date of Patent:** **** Apr. 24, 2018**

(54) **SEALING ELEMENT FOR RECIPROCATING GAS COMPRESSOR VALVE**

3,244,195 A 4/1966 Wanner
3,332,437 A 7/1967 Hallen
3,536,094 A * 10/1970 Manley, Jr. F04B 39/1033
137/512.1
3,701,361 A 10/1972 Bunn et al.
3,913,615 A 10/1975 Cooper et al.
4,130,131 A * 12/1978 Kucenty F04B 39/106
137/512.1
4,483,363 A * 11/1984 Madoche F04B 39/1033
137/329.04

(71) Applicant: **Delaware Capital Formation, Inc.**,
Wilmington, DE (US)

(72) Inventors: **Stephen A. Mish**, Wellington, FL (US);
Swapnil S. Khaire, Knoxville, TN
(US); **Fred Matthew Schweinberg, Jr.**,
Knoxville, TN (US)

(73) Assignee: **DELAWARE CAPITAL FORMATION, INC.**, Wilmington, DE
(US)

(**) Term: **15 Years**

(21) Appl. No.: **29/543,532**

(22) Filed: **Oct. 26, 2015**

(51) **LOC (11) Cl.** **15-02**

(52) **U.S. Cl.**
USPC **D15/9**

(58) **Field of Classification Search**
USPC D23/233, 235, 241, 247, 248, 249;
123/90.15, 188.5, 190.14, 445, 200,
123/90.17, 193.4; 417/273, 411, 564;
D15/5, 9, 9.1, 9.2, 9.3; 29/888.012,
29/890.124, 890.126; 92/187, 208;
137/512.1, 516.11, 327, 329.04, 516.23
CPC F04B 39/1033; F04B 39/1053
See application file for complete search history.

(56) **References Cited**

U.S. PATENT DOCUMENTS

1,717,856 A 6/1929 Smith
2,624,587 A 1/1953 Watson et al.
2,904,065 A 9/1959 Butlin
3,148,697 A * 9/1964 Carr F04B 39/1006
137/327

(Continued)

Primary Examiner — Cynthia Ramirez

Assistant Examiner — Gino Colan

(74) *Attorney, Agent, or Firm* — Nielsen IP Law LLC

(57) **CLAIM**

We claim the ornamental design for a sealing element for a reciprocating gas compressor valve, as shown and described.

DESCRIPTION

FIG. 1 is an overall perspective view of a sealing element for reciprocating gas compressor valve showing our new design, in condition of use;

FIG. 2 is an overall exploded view of the sealing element for reciprocating gas compressor valve;

FIG. 3 is an overall top view thereof, in condition of use;

FIG. 4 is a cross sectional view of FIG. 3 showing the sealing element for reciprocating gas compressor valve;

FIG. 5 is a top perspective view thereof;

FIG. 6 is a side elevational view thereof;

FIG. 7 is a top view thereof;

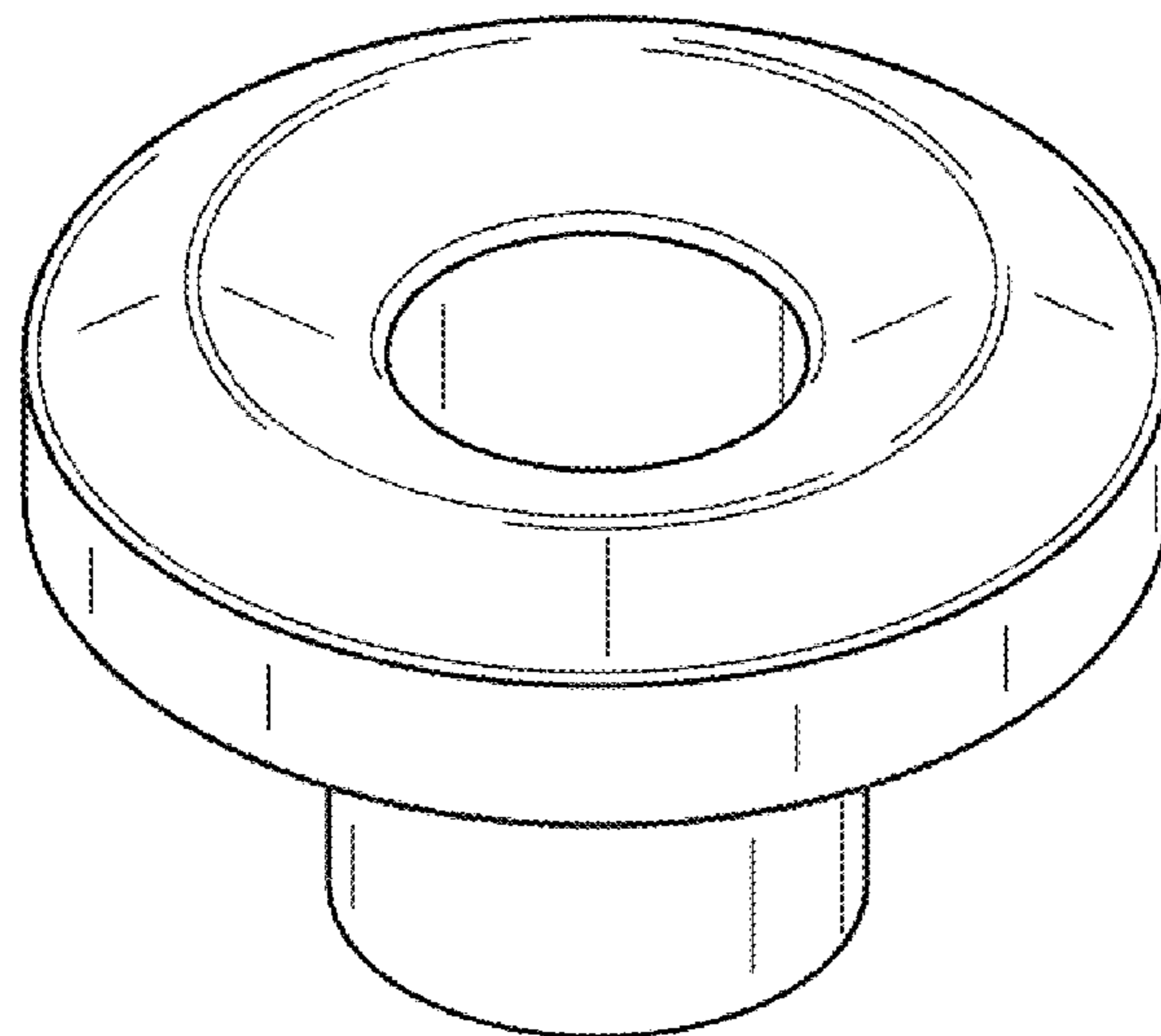
FIG. 8 is a bottom view thereof; and,

FIG. 9 is a cross-sectional view thereof.

The elements that comprise the sealing elements for reciprocating gas compression valve are being shown separately in some of the Figures for convenience of illustration.

The broken lines in the drawings are included of the purpose of illustrating environment and form no part of the claimed design.

1 Claim, 5 Drawing Sheets



(56)

References Cited

U.S. PATENT DOCUMENTS

4,819,689	A	4/1989	Owsley et al.	
4,872,481	A	10/1989	Shaw et al.	
5,511,583	A	4/1996	Bassett	
5,678,603	A *	10/1997	Tschop	F04B 39/1033 137/512.1
6,234,194	B1	5/2001	Janek et al.	
6,581,632	B2	6/2003	Walpole et al.	
D745,637	S *	12/2015	Penkkimaki	D23/233
9,309,878	B2 *	4/2016	Columpsi	F16K 15/026
2001/0029981	A1 *	10/2001	Penza	F04B 39/1033 137/516.23
2002/0144733	A1 *	10/2002	Artner	F04B 39/1053 137/512.1

* cited by examiner

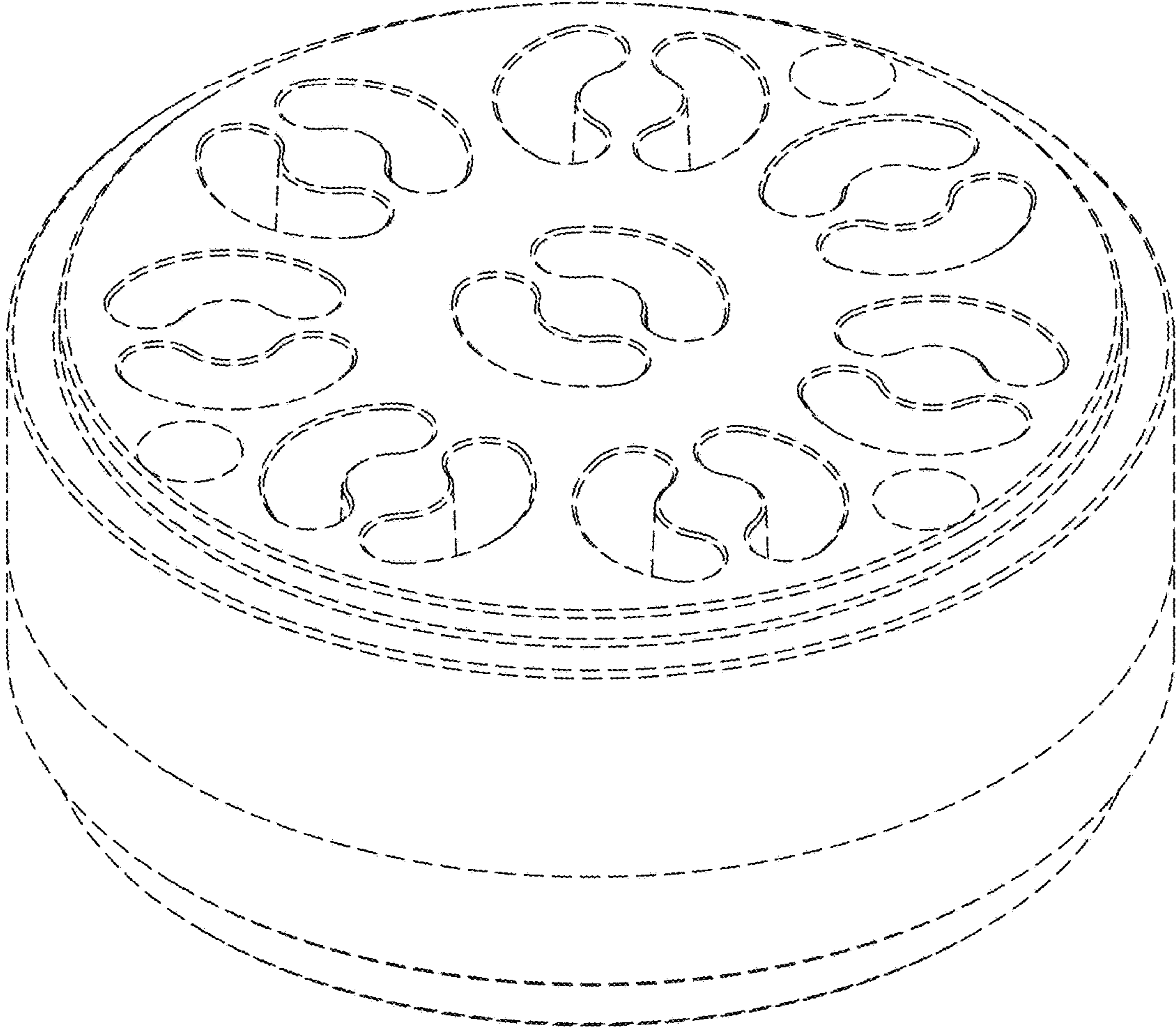
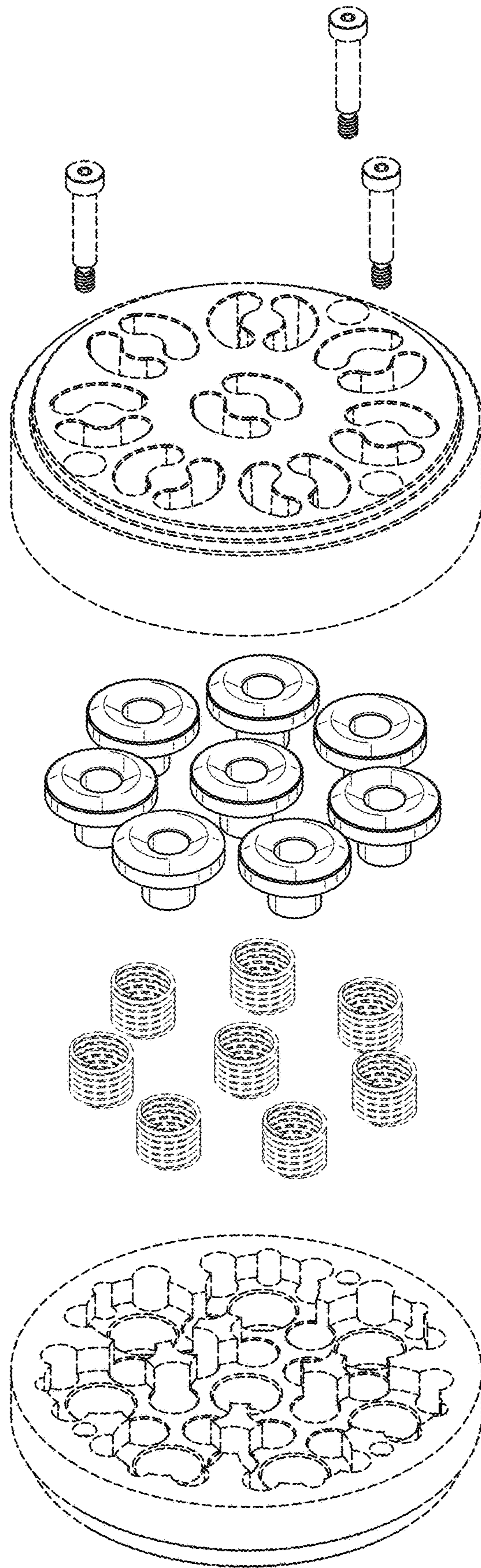


FIG. 1

FIG. 2



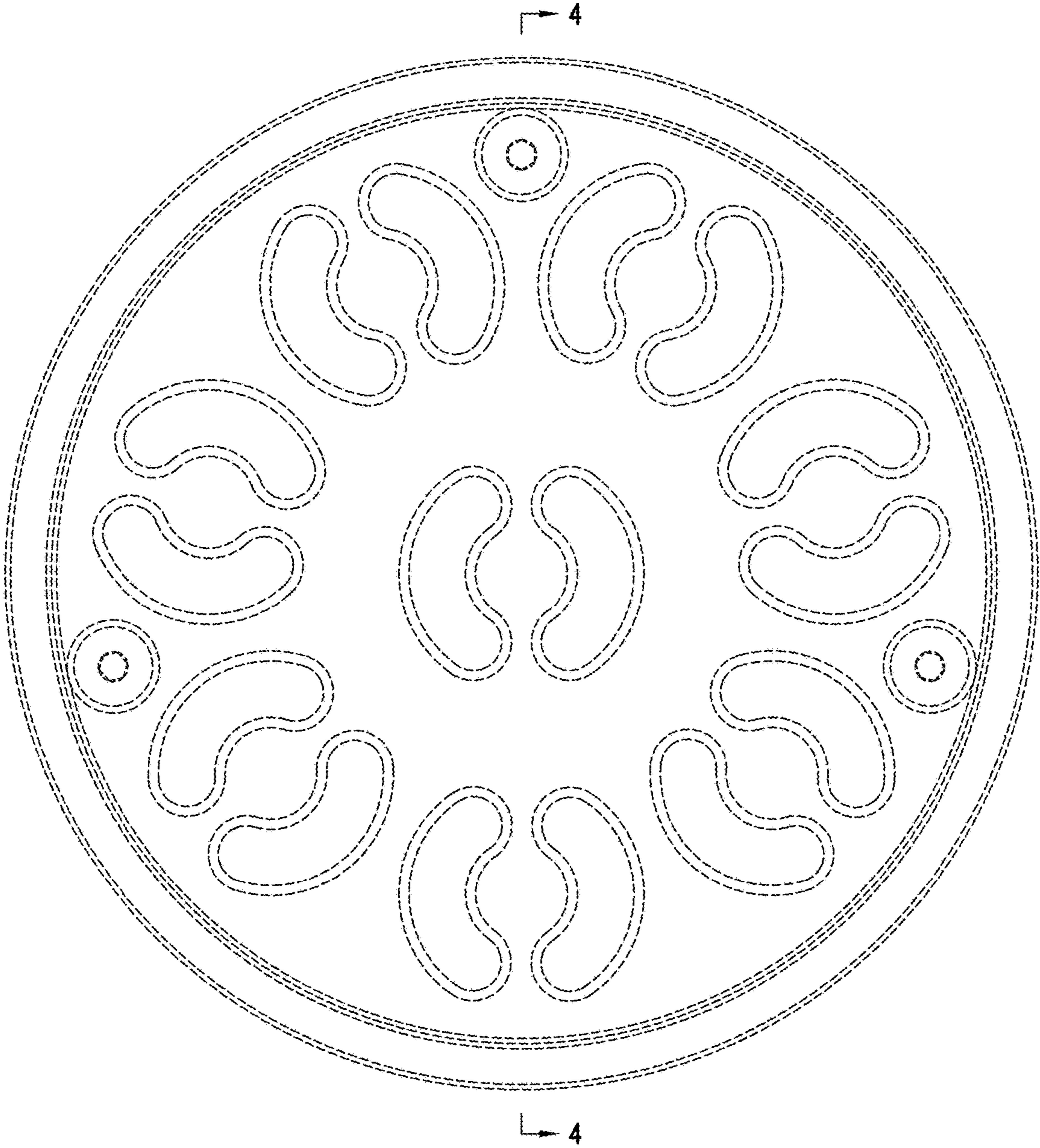


FIG. 3

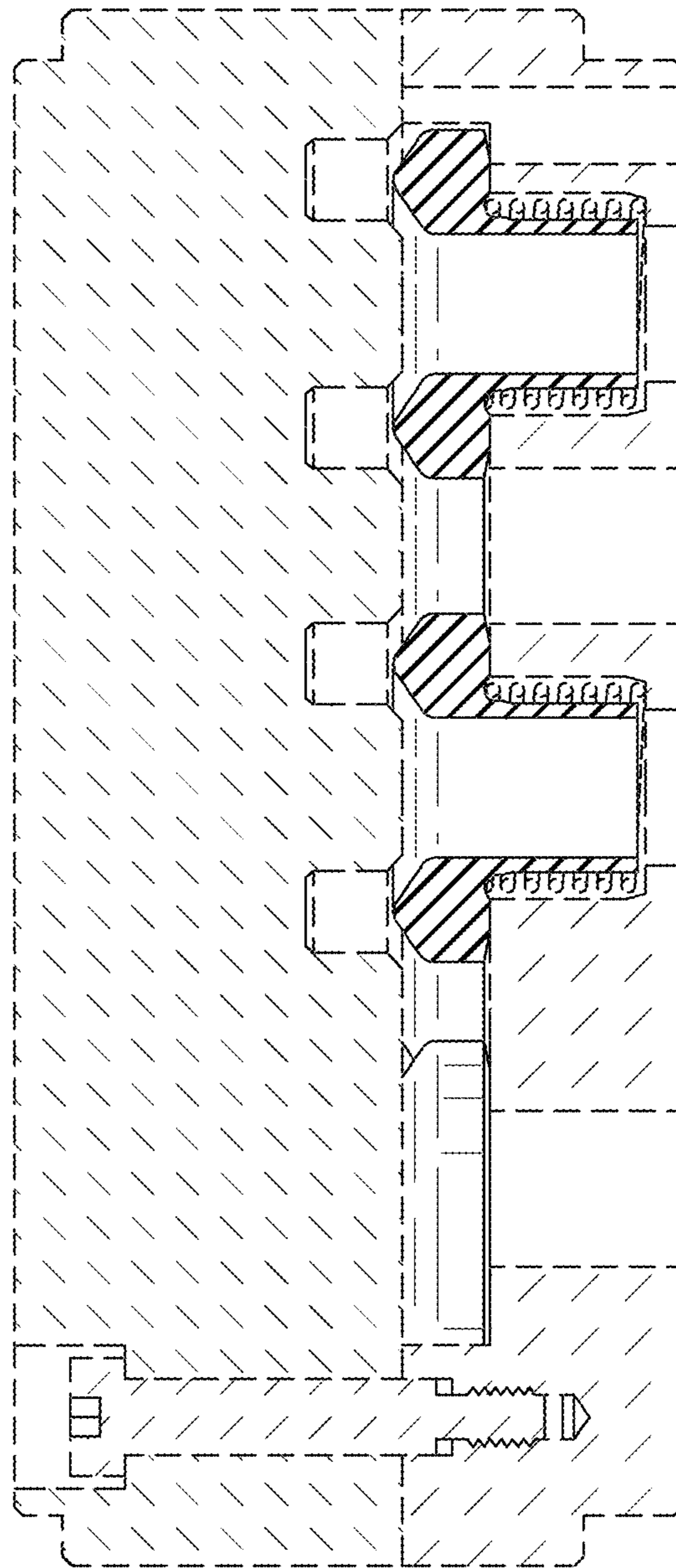


FIG. 4

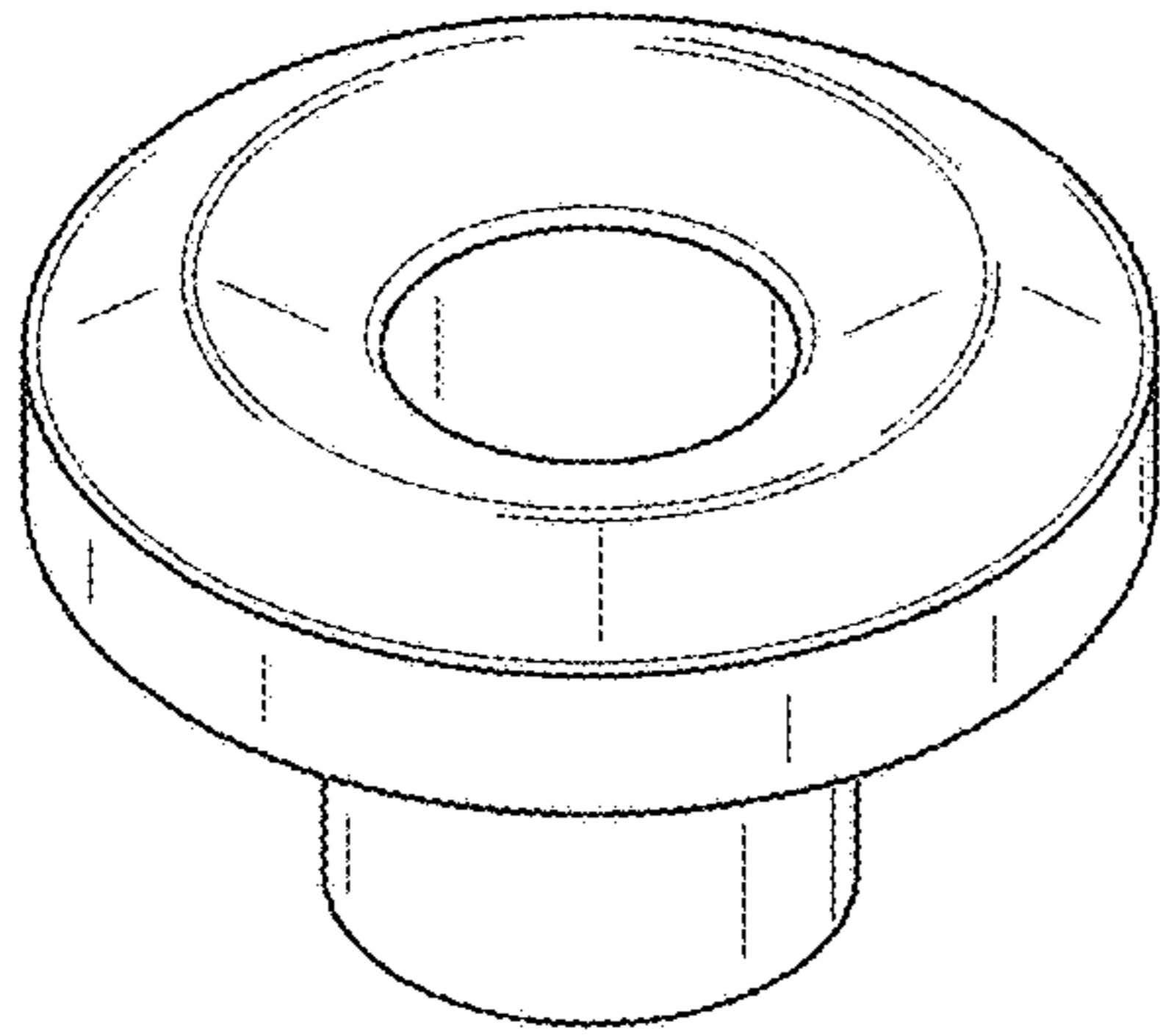


FIG. 5

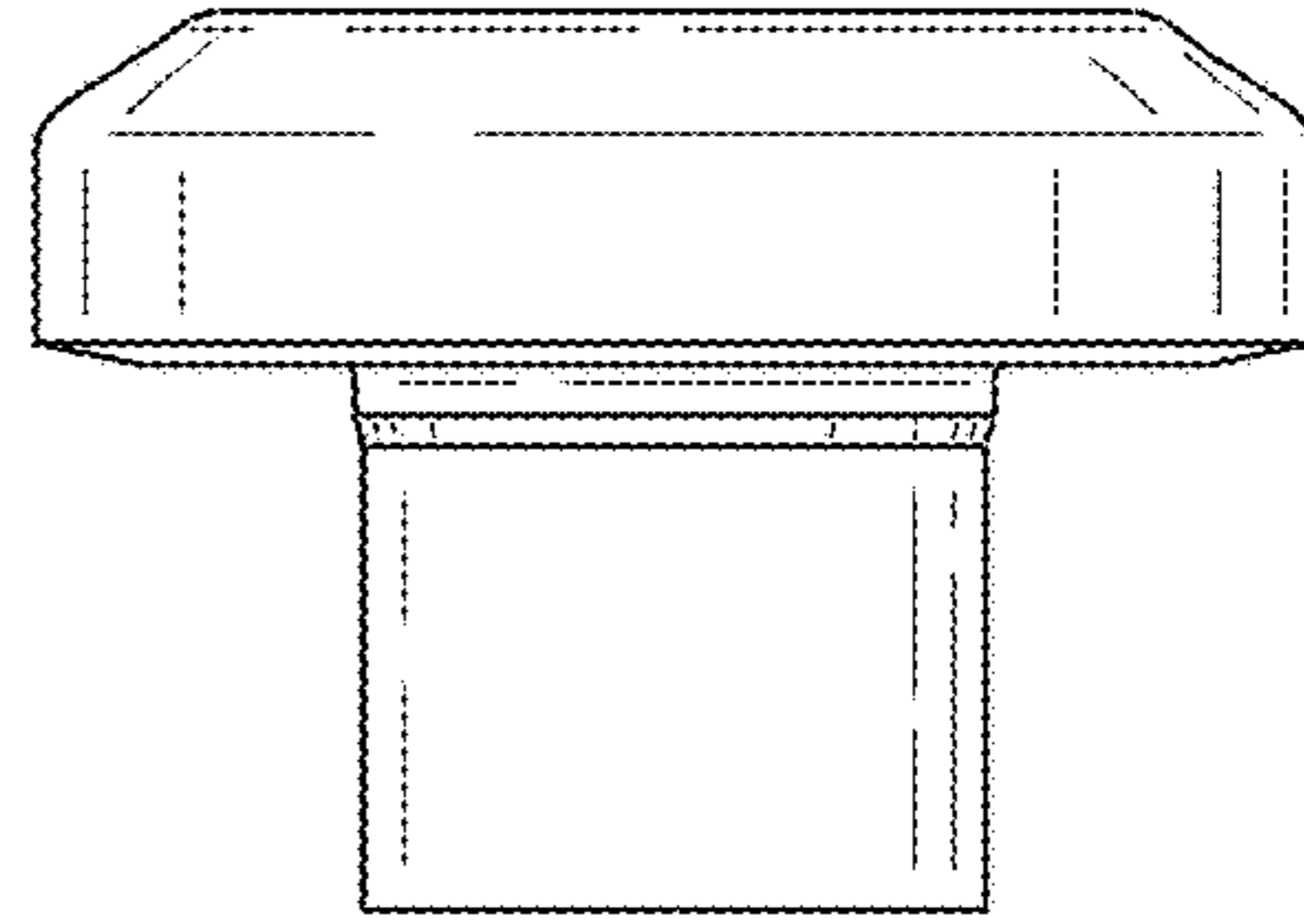


FIG. 6

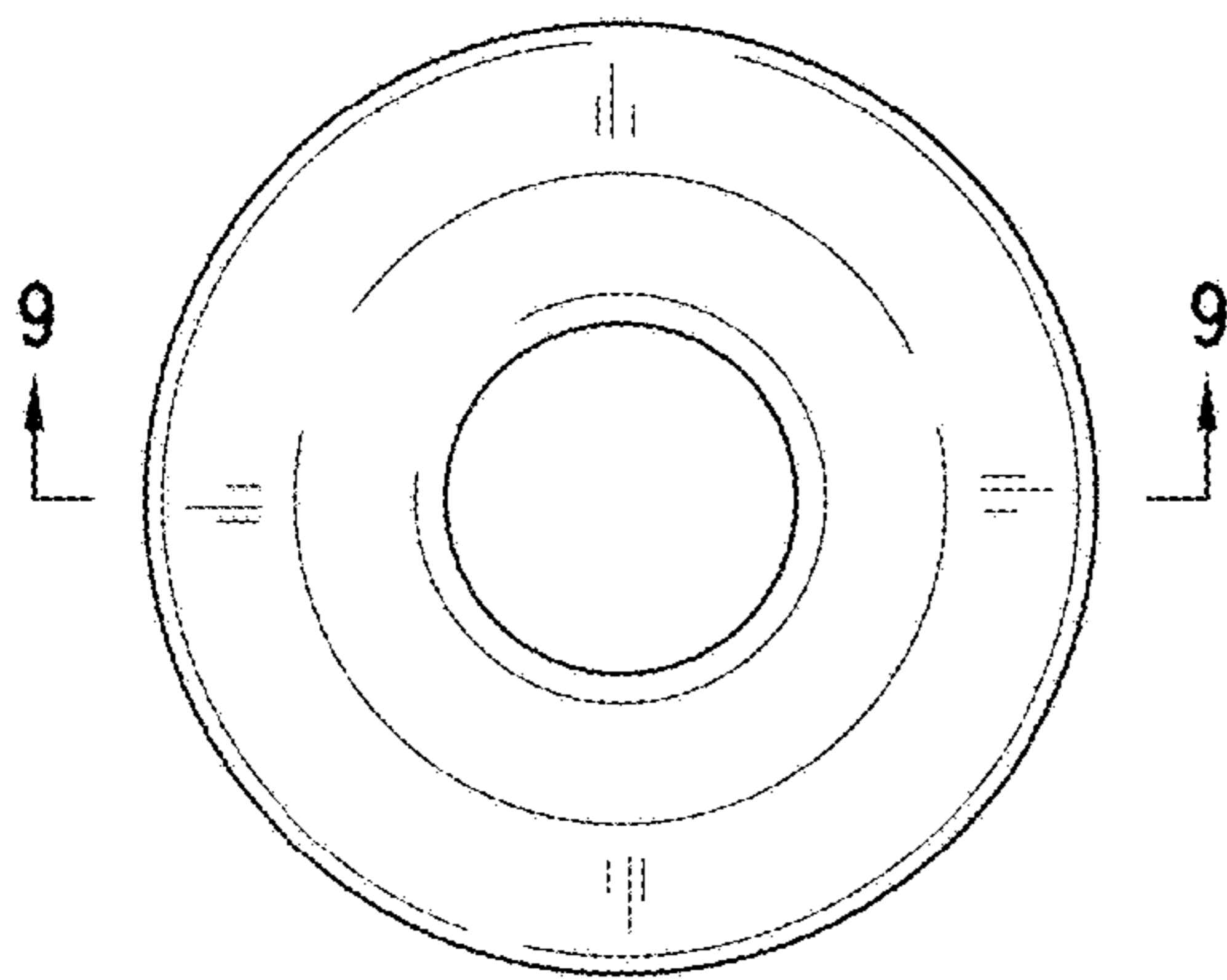


FIG. 7

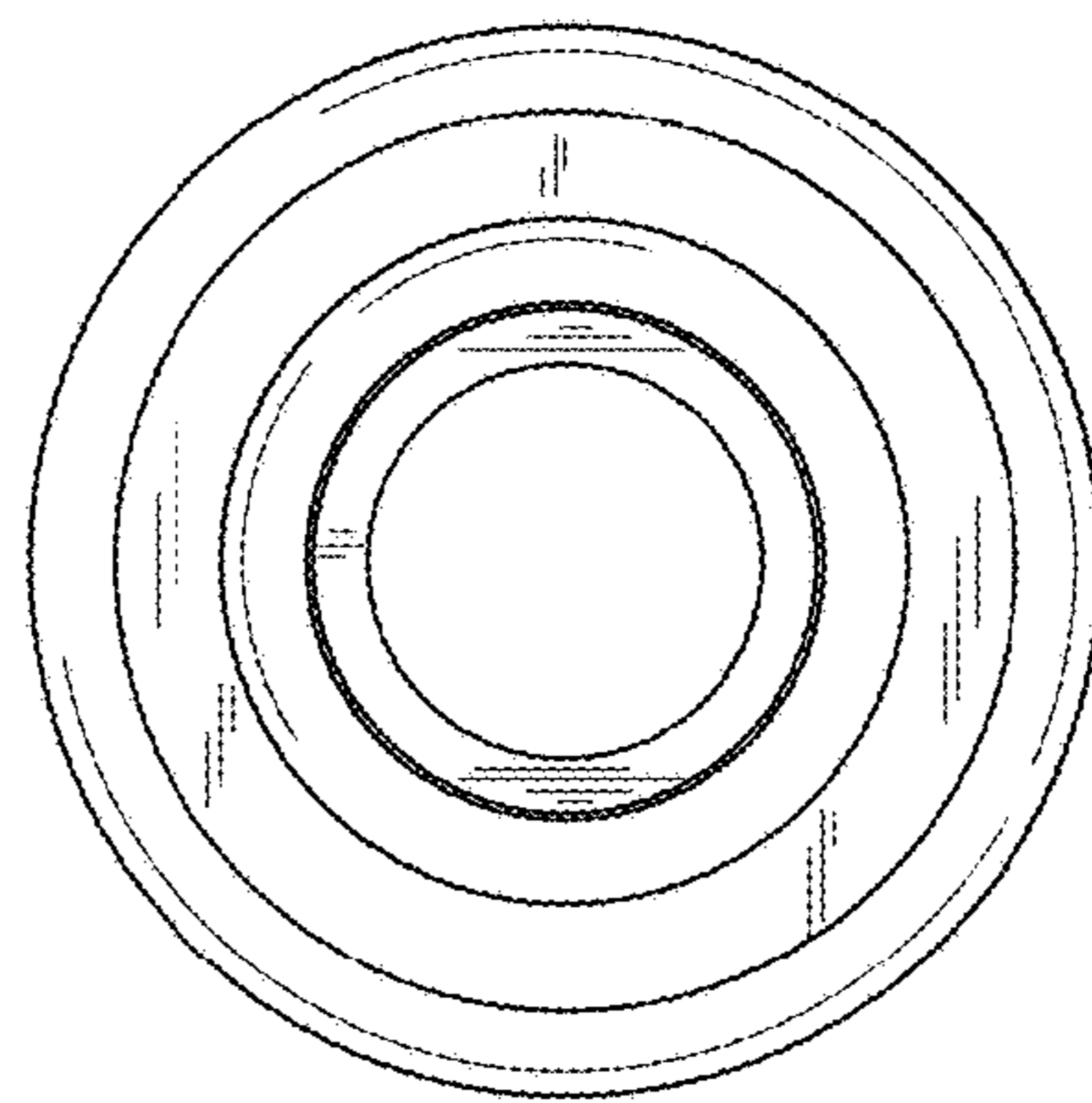


FIG. 8

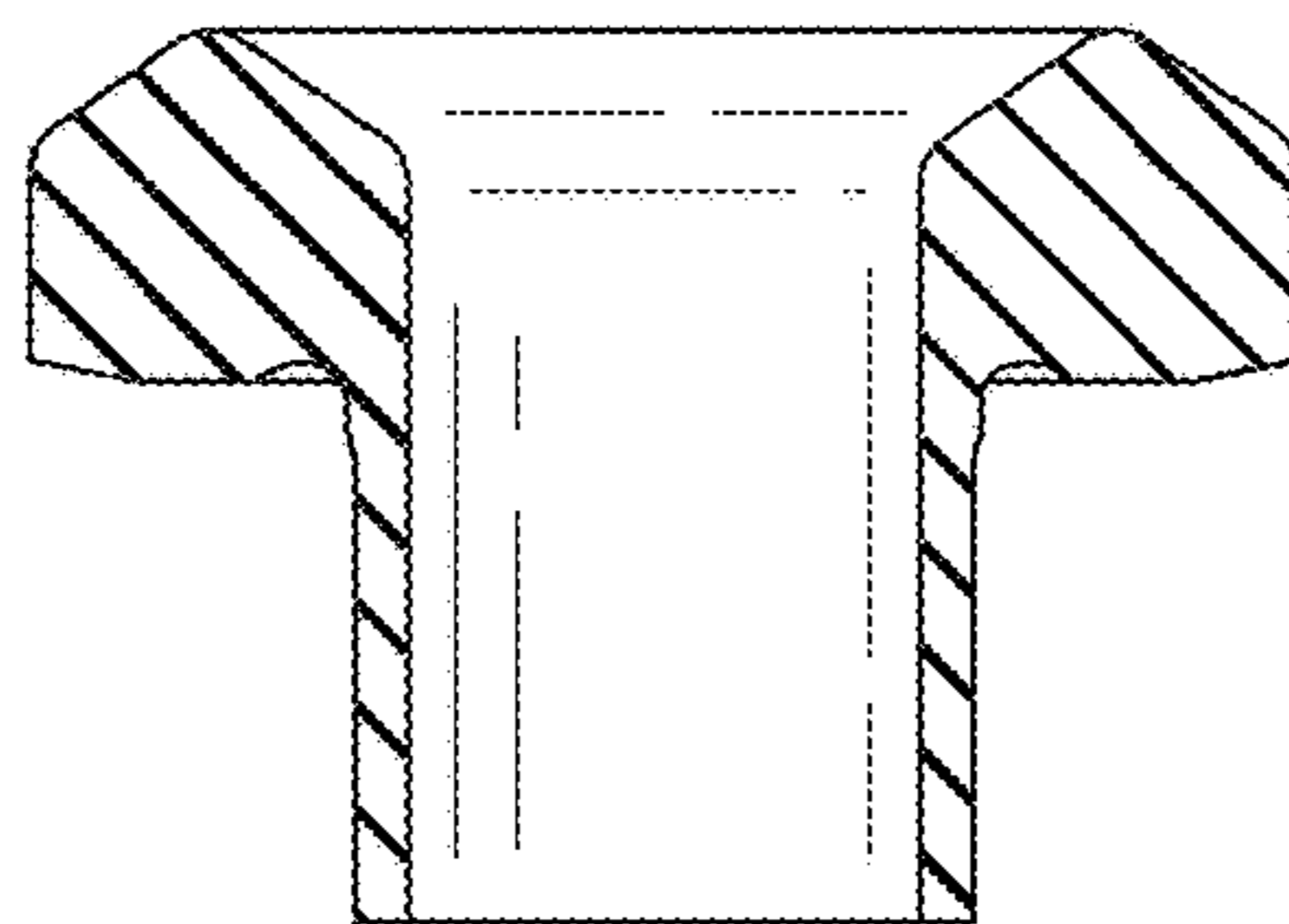


FIG. 9