



US00D816121S

(12) **United States Design Patent** (10) **Patent No.:** **US D816,121 S**
Fox (45) **Date of Patent:** **** Apr. 24, 2018**

- (54) **LIGHTWEIGHT LIMITED SLIP DIFFERENTIAL**
- (71) Applicant: **Eaton Corporation**, Cleveland, OH (US)
- (72) Inventor: **Matthew G. Fox**, Ceresco, MI (US)
- (73) Assignee: **Eaton Corporation**, Cleveland, OH (US)
- (**) Term: **15 Years**
- (21) Appl. No.: **29/551,587**
- (22) Filed: **Jan. 14, 2016**
- (51) **LOC (11) Cl.** **15-01**
- (52) **U.S. Cl.**
USPC **D15/5**
- (58) **Field of Classification Search**
USPC D15/1-6, 9, 7, 148, 149
CPC F16H 48/00; F16H 48/38; F16H 2048/382;
F16H 48/40; F16H 2048/387; F16H 48/22; F16H 48/08; F16H 48/32
See application file for complete search history.

- (56) **References Cited**
U.S. PATENT DOCUMENTS
- 3,331,262 A * 7/1967 Mazziotti F16H 48/08
192/70.2
- 3,362,258 A * 1/1968 Thornton F16H 48/08
475/231
- 5,019,021 A 5/1991 Janson
- 6,432,020 B1 * 8/2002 Rivera F16H 48/08
475/231
- 6,666,315 B2 12/2003 Organek et al.
- 6,733,411 B1 5/2004 Kaplan et al.
- 6,755,763 B1 * 6/2004 Goto F16H 48/08
192/35
- 7,357,749 B2 4/2008 Nofzinger et al.

- 7,988,584 B2 * 8/2011 Balenda, II F16H 48/30
475/236
- 9,127,760 B1 * 9/2015 Potter F16H 48/40
- 2005/0215378 A1 * 9/2005 Peter F16H 48/08
475/230

(Continued)

FOREIGN PATENT DOCUMENTS

- DE 102009001561 A1 9/2010
- EP 0090944 A2 10/1983

(Continued)

Primary Examiner — T. Chase Nelson

Assistant Examiner — Ania Aman

(74) *Attorney, Agent, or Firm* — RMCK Law Group PLC

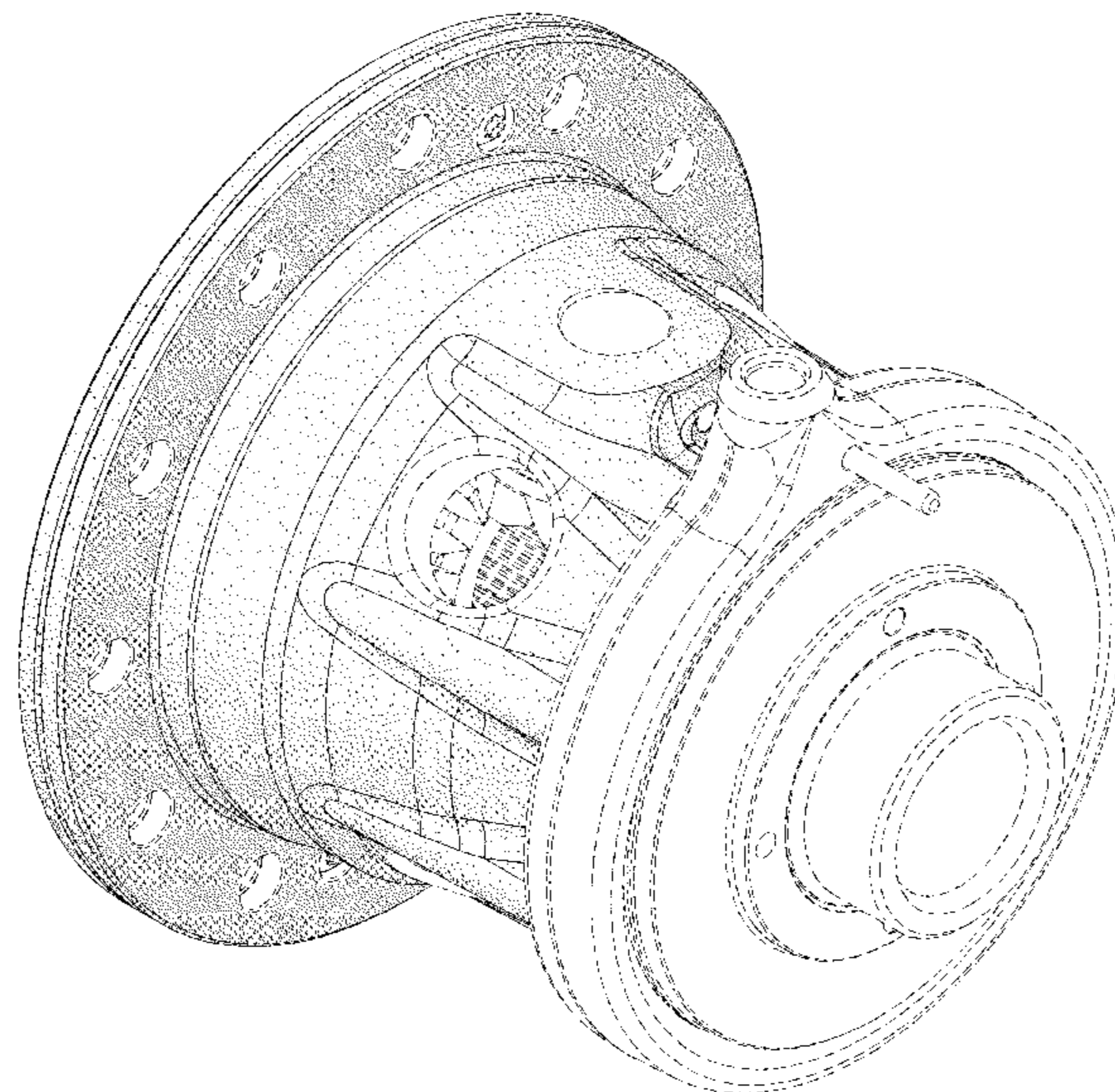
(57) **CLAIM**

The ornamental design for a lightweight limited slip differential, as shown and described.

DESCRIPTION

FIG. 1 is a front perspective view of a lightweight limited slip differential in accordance with the present teachings. FIG. 2 is a rear perspective view of a lightweight limited slip differential in accordance with the present teachings. FIG. 3 is a first end view of the lightweight limited slip differential of FIG. 1. FIG. 4 is a second end view of the lightweight limited slip differential of FIG. 1. FIG. 5 is a first side view of the lightweight limited slip differential of FIG. 1. FIG. 6 is a second side view of the lightweight limited slip differential of FIG. 1. FIG. 7 is third side view of the lightweight limited slip differential of FIG. 1; and, FIG. 8 is fourth side view of the lightweight limited slip differential of FIG. 1. The broken lines shown in the drawings are for the purpose of illustrating portions of the article that form no part of the claimed design.

1 Claim, 8 Drawing Sheets



(56)

References Cited

U.S. PATENT DOCUMENTS

2007/0259750 A1* 11/2007 Kramer F16D 13/52
475/221
2008/0242469 A1* 10/2008 Jensi F16H 48/08
475/231
2014/0262668 A1* 9/2014 Creager F16H 48/22
192/48.8
2015/0292611 A1* 10/2015 Miyamoto F16H 48/24
475/84
2015/0330494 A1* 11/2015 Kluck F16H 57/082
475/230
2016/0025201 A1* 1/2016 Wrona F16H 48/08
475/220
2016/0153536 A1* 6/2016 Fisher F16H 48/22
475/86

FOREIGN PATENT DOCUMENTS

EP 0198143 A1 10/1986
WO 2006075246 A1 7/2006

* cited by examiner

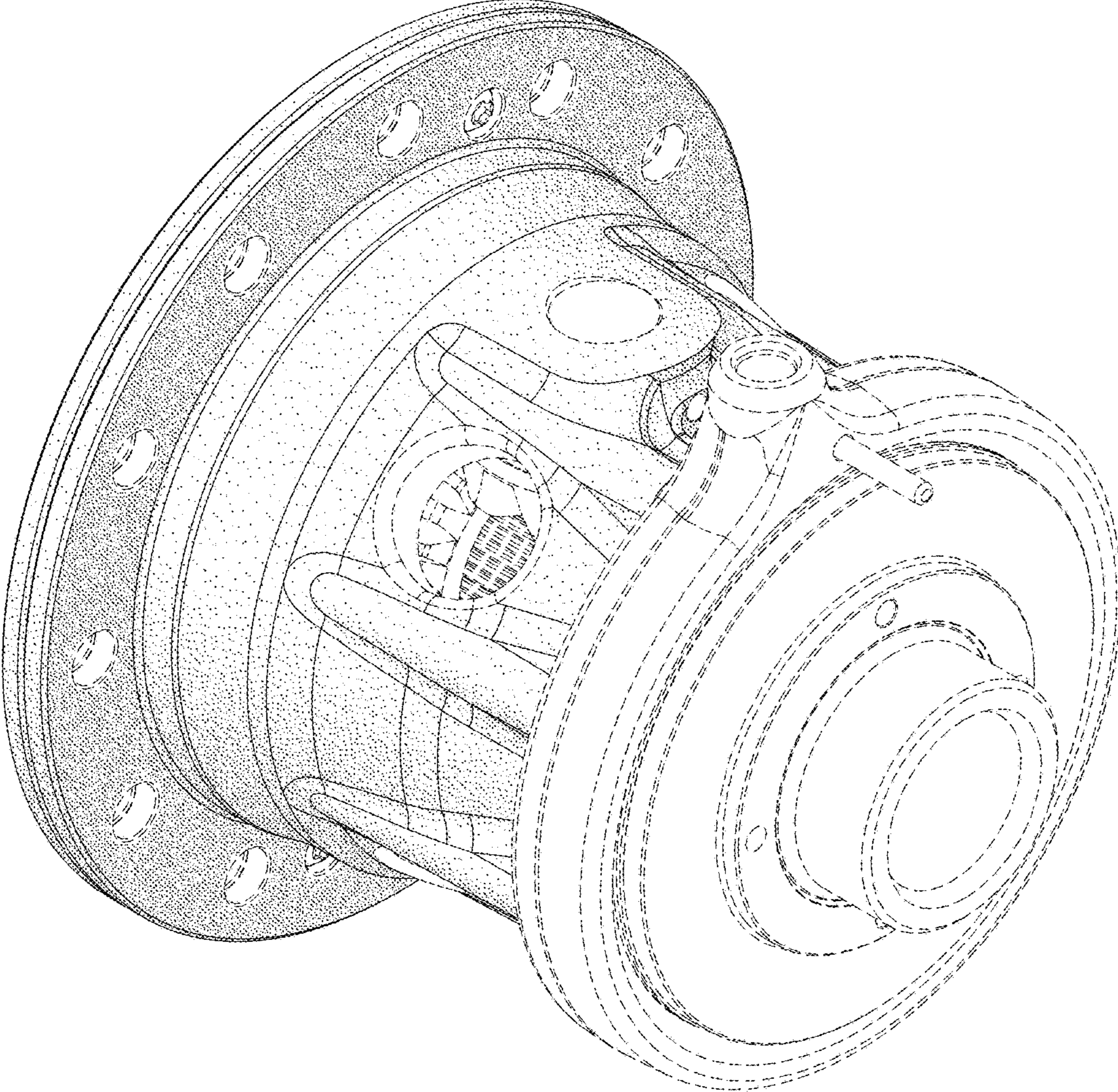


FIG. 1

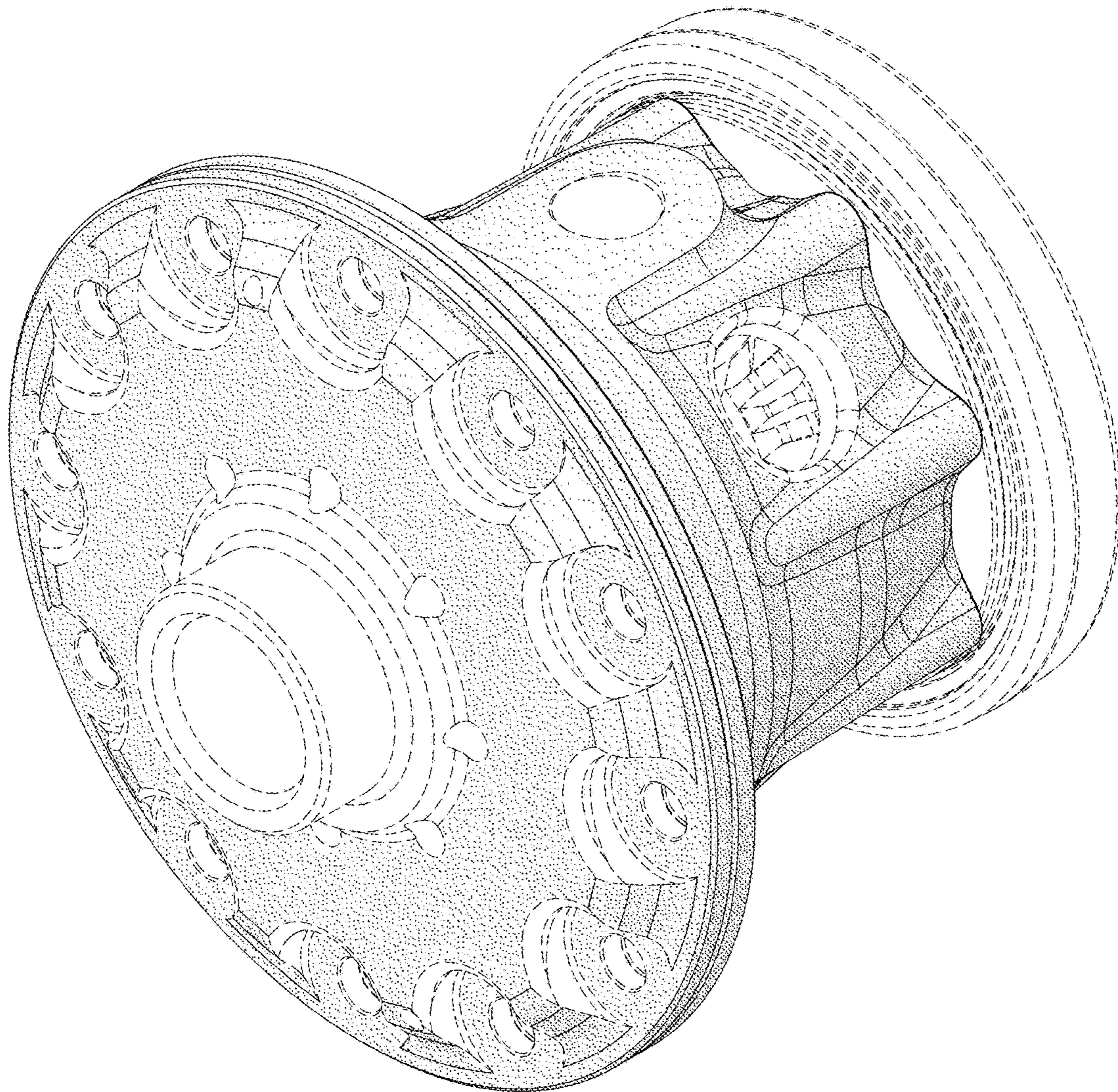


FIG. 2

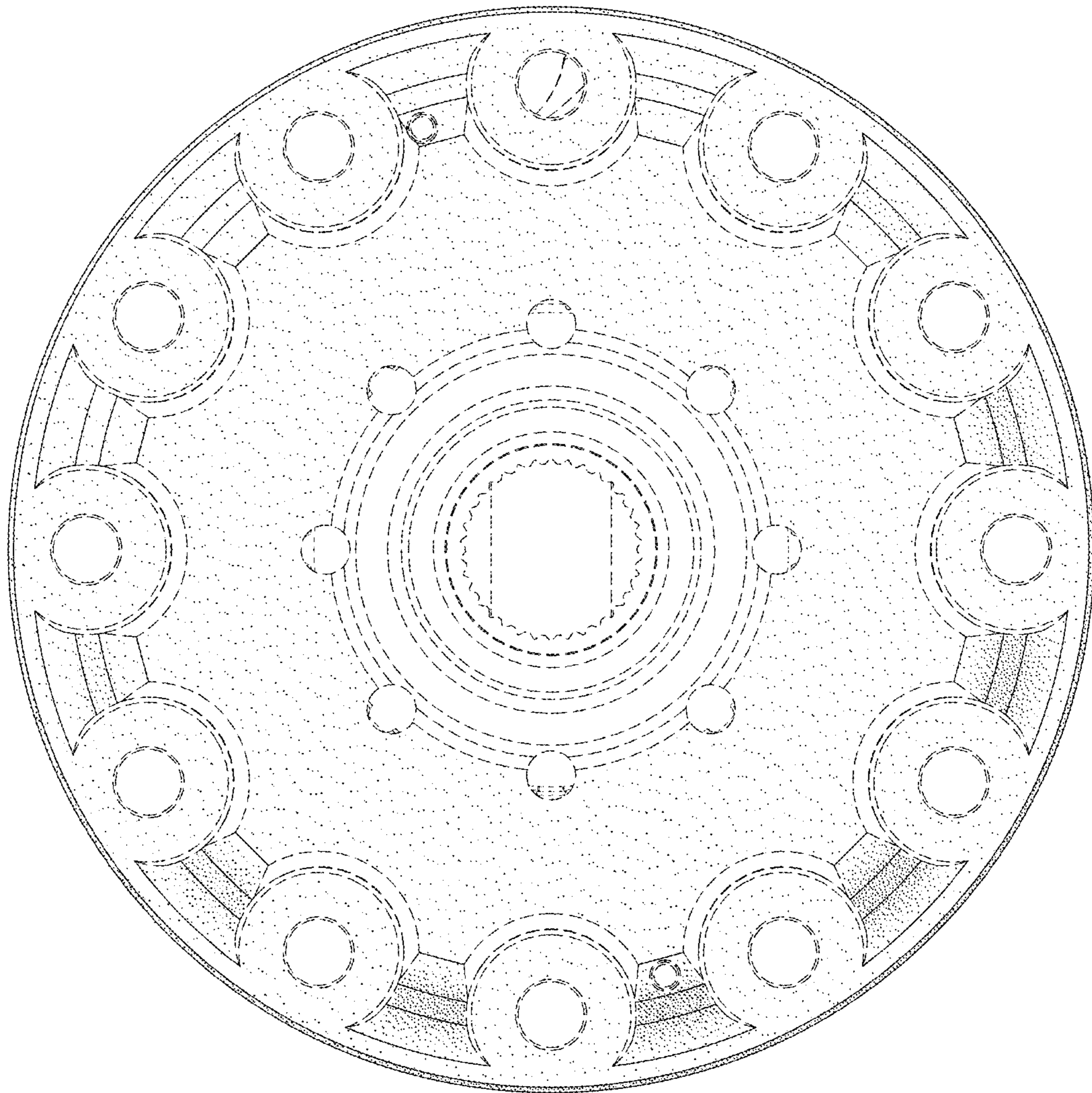


FIG. 3

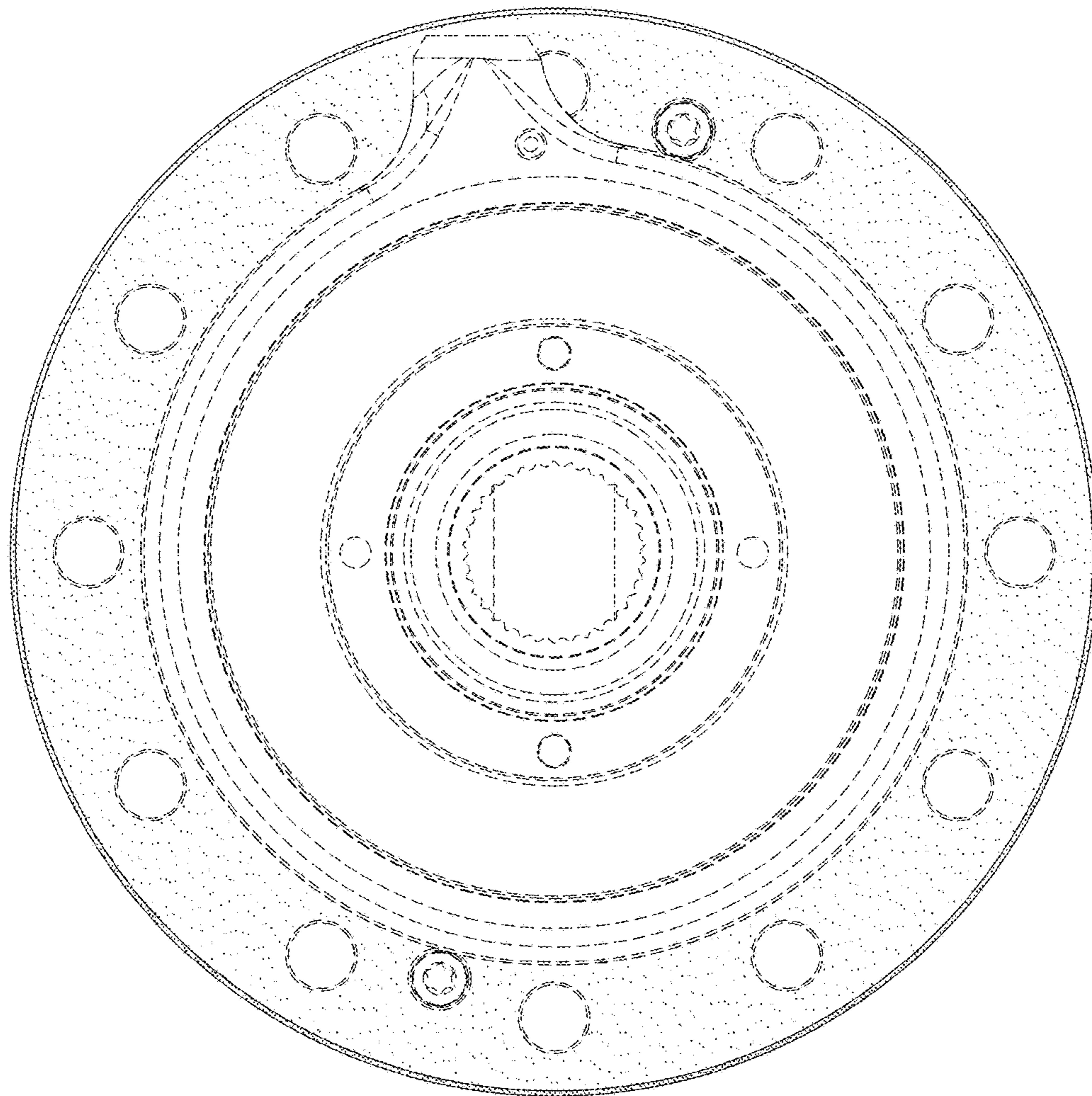


FIG.4

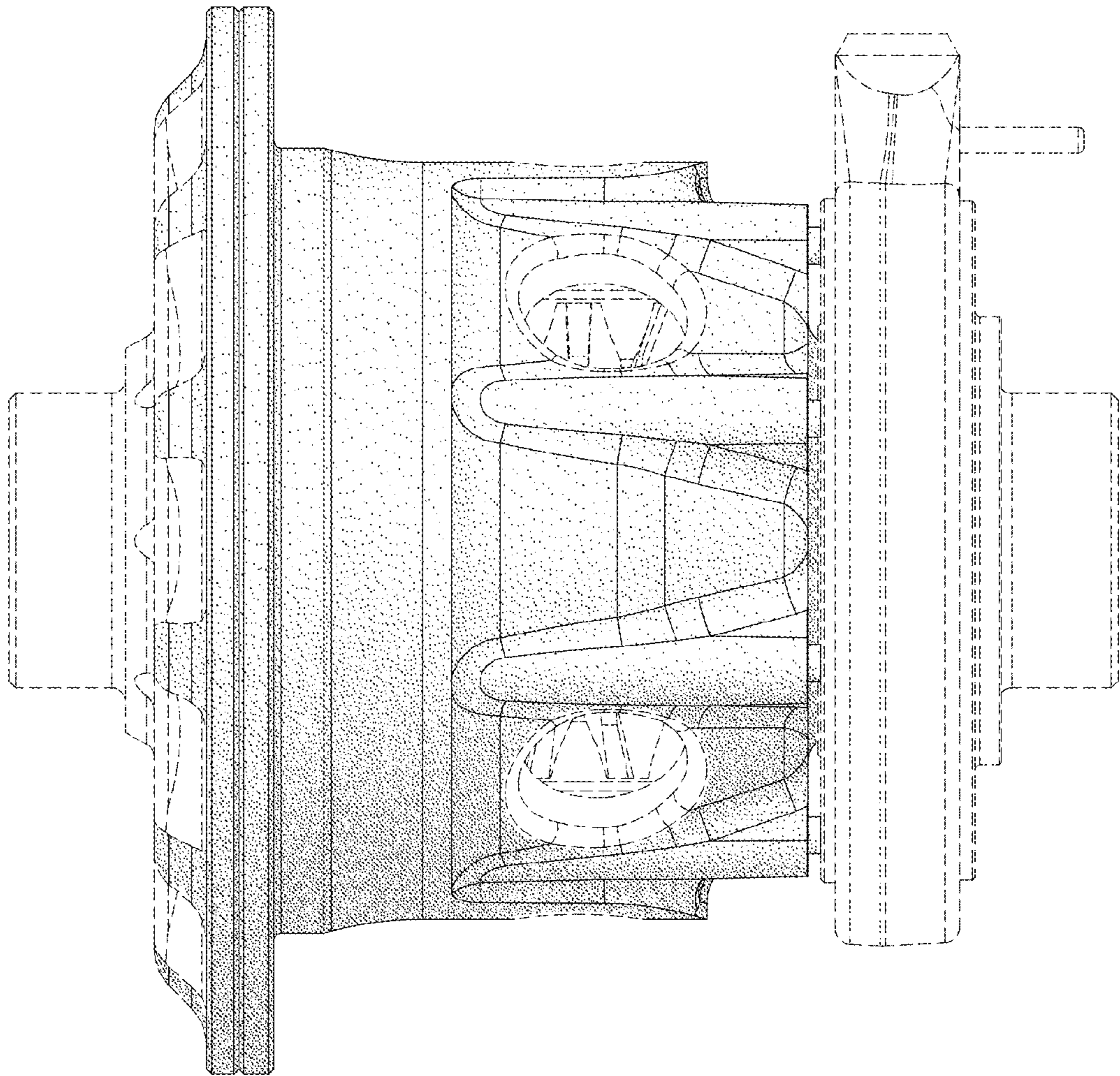


FIG. 5

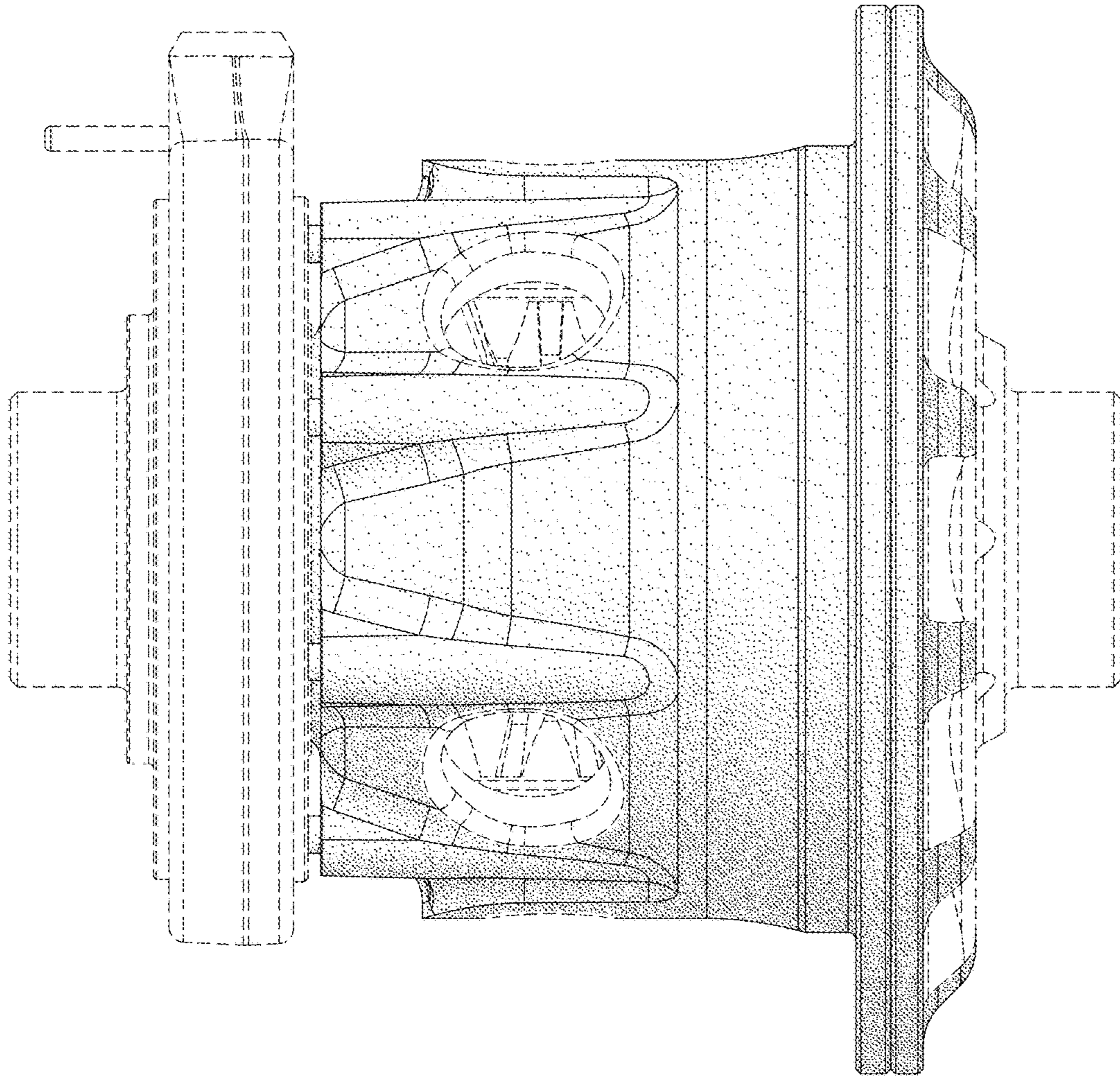


FIG. 6

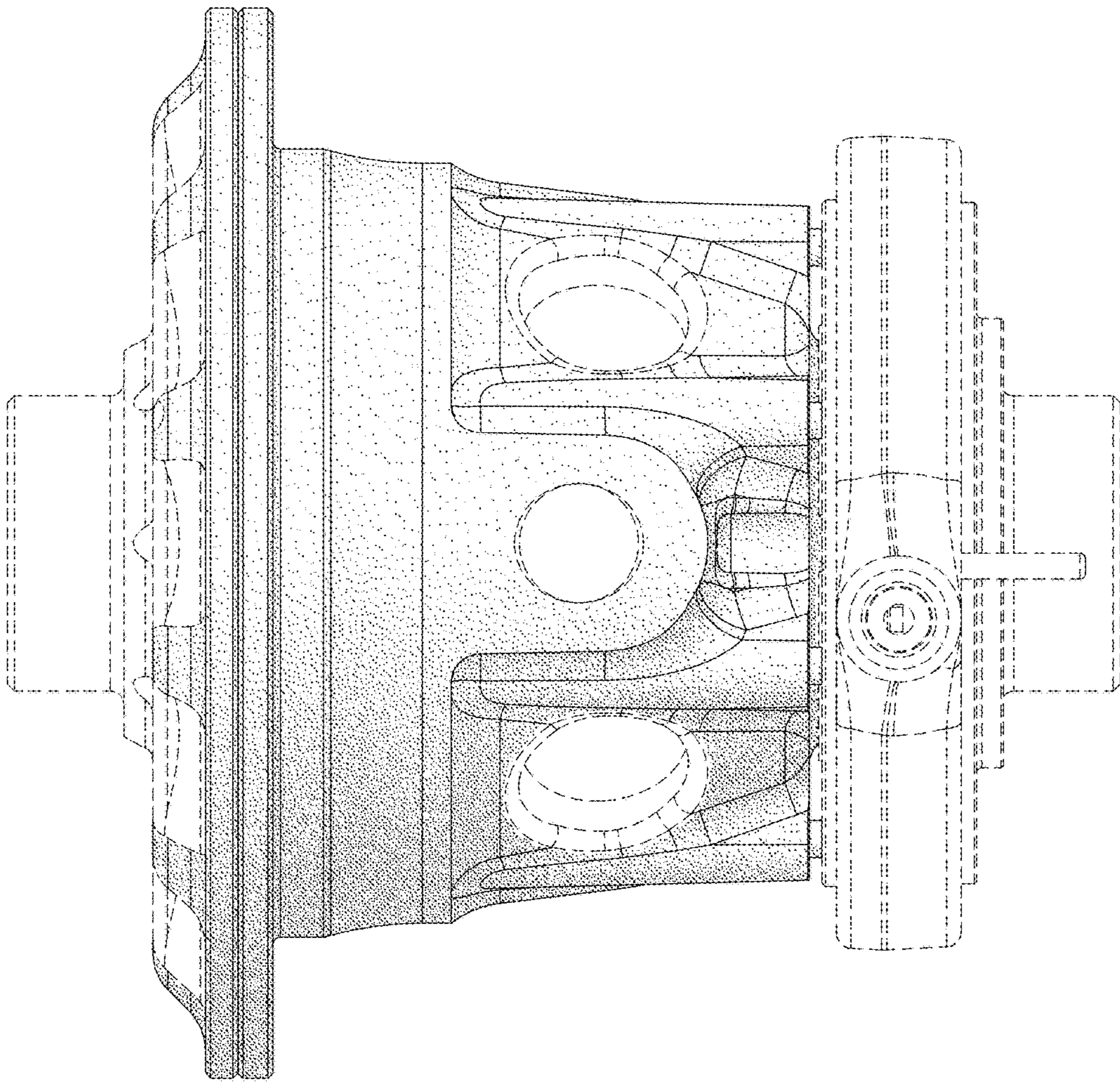


FIG. 7

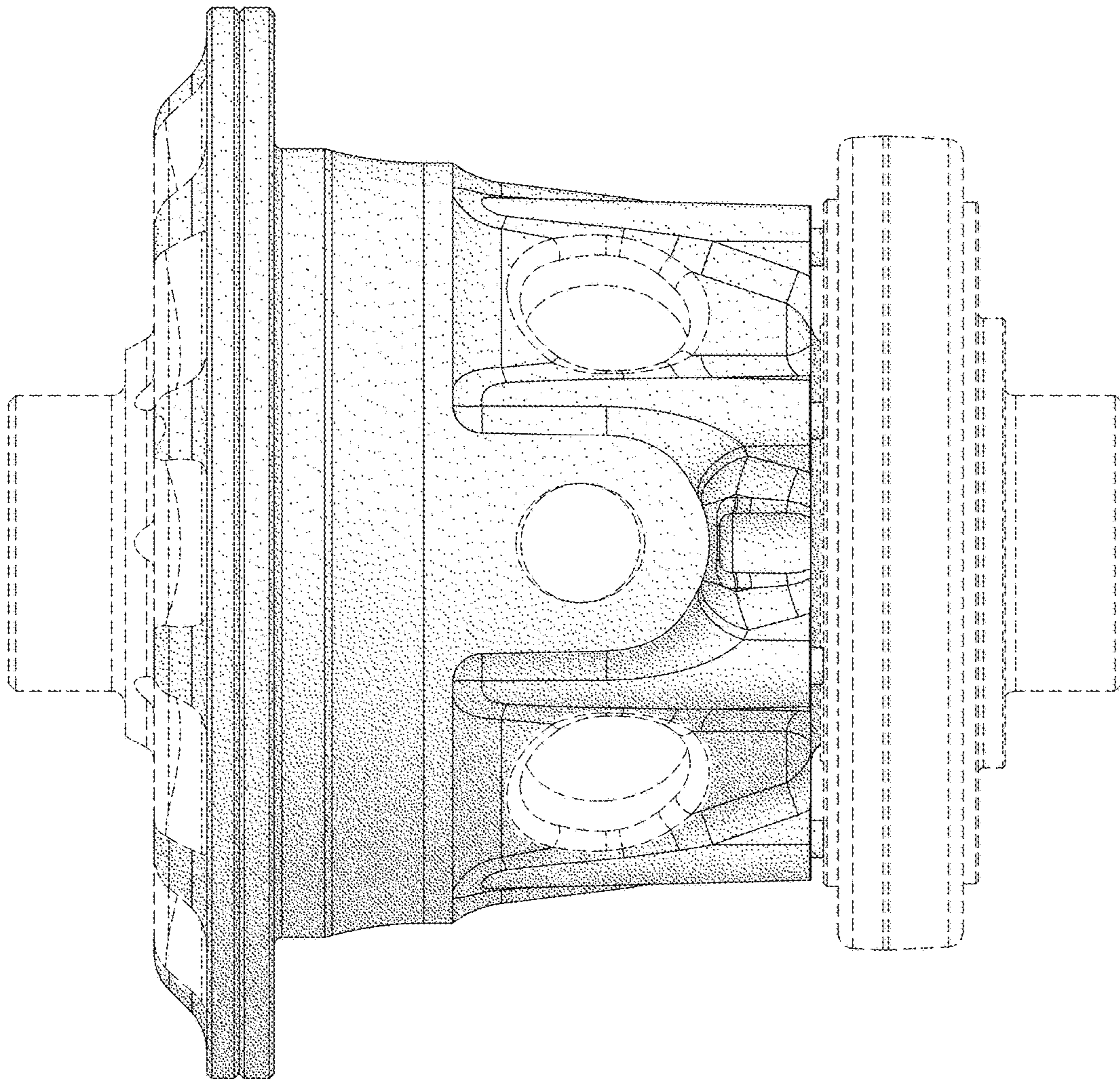


FIG. 8