



US00D816120S

(12) **United States Design Patent**  
**Huckey**

(10) **Patent No.:** **US D816,120 S**

(45) **Date of Patent:** **\*\* \*Apr. 24, 2018**

(54) **PAIR OF WATER PUMP ADAPTOR PLATES**

(71) Applicant: **Brent W. Huckey**, Mesa, AZ (US)

(72) Inventor: **Brent W. Huckey**, Mesa, AZ (US)

(\*) Notice: This patent is subject to a terminal disclaimer.

(\*\*) Term: **15 Years**

(21) Appl. No.: **29/538,037**

(22) Filed: **Aug. 31, 2015**

(51) **LOC (11) Cl.** ..... **15-01**

(52) **U.S. Cl.**  
USPC ..... **D15/5**

(58) **Field of Classification Search**  
USPC ..... D15/1-5, 7, 9, 8; D23/231, 232, 225;  
123/41.47

CPC ..... F01L 1/185; F01L 2001/186; F01L  
2001/187; F01L 2001/188; F01L 1/181;  
F01L 1/182; F01P 5/10

See application file for complete search history.

(56) **References Cited**

**U.S. PATENT DOCUMENTS**

4,215,658	A *	8/1980	Smith, Jr.	.....	F01P 5/10 123/195 A
D268,585	S *	4/1983	Drakulic	.....	D15/5
D287,130	S *	12/1986	Tilton, Jr.	.....	D15/5
6,363,918	B2 *	4/2002	Håkansson	.....	F01P 5/12 123/198 C
D645,478	S *	9/2011	Iwanicki	.....	D15/7
8,424,497	B2	4/2013	Iwanicki		
8,869,776	B2 *	10/2014	Yamane	.....	F01L 1/34 123/195 R
2007/0266806	A1	11/2007	Jones		
2010/0162974	A1	7/2010	Yamanishi et al.		
2011/0088638	A1 *	4/2011	Yamagata	.....	F01P 5/10 123/41.44

(Continued)

*Primary Examiner* — T. Chase Nelson

*Assistant Examiner* — Ania Aman

(74) *Attorney, Agent, or Firm* — Mark V. Loen

(57) **CLAIM**

The ornamental design for a pair of water pump adaptor plates, as shown and described.

**DESCRIPTION**

FIG. 1 is a front view of a left hand water pump adaptor plate;

FIG. 2 is a left side view of FIG. 1;

FIG. 3 is a top side view of FIG. 1;

FIG. 4 is a right side view of FIG. 1;

FIG. 5 is a lower side view of FIG. 1;

FIG. 6 is a bottom side view of FIG. 1;

FIG. 7 is a perspective view of the left hand water pump adaptor plate;

FIG. 8 is a front view of a right hand water pump adaptor plate;

FIG. 9 is a left side view of FIG. 8;

FIG. 10 is a top side view of FIG. 8;

FIG. 11 is a right side view of FIG. 8;

FIG. 12 is a lower side view of FIG. 8;

FIG. 13 is a bottom side view of FIG. 8;

FIG. 14 is a perspective view of the right hand water pump adaptor plate;

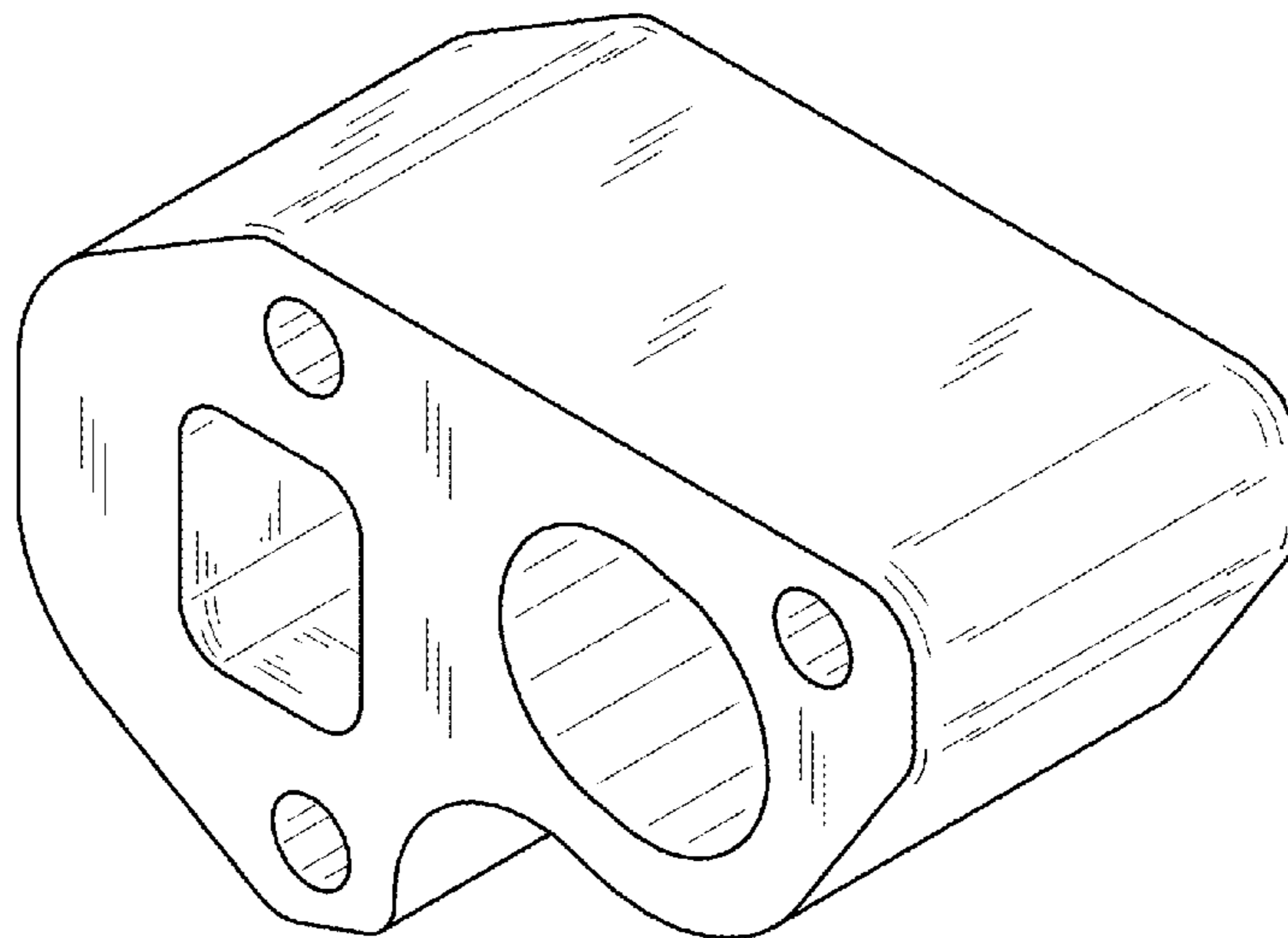
FIG. 15 is an exploded perspective view of both right hand and left hand water pump adaptor plates in condition of use;

FIG. 16 is a front engine view of both right hand and left hand water pump adaptor plates in condition of use; and,

FIG. 17 is a front engine view of both right hand and left hand water pump adaptor plates in condition of use which additionally shows the approximate position of a water pump;

The broken lines shown in FIGS. 15, 16, and 17 are for purposes of illustrating environmental structure associated with the claimed design in condition of use, and which forms no part of the claimed design.

**1 Claim, 9 Drawing Sheets**



(56)

**References Cited**

U.S. PATENT DOCUMENTS

2012/0079997	A1*	4/2012	Iwanicki .....	F01P 5/10 123/41.44
2012/0192816	A1*	8/2012	Simon .....	F01P 5/10 123/41.44
2014/0224194	A1*	8/2014	Barnes .....	F01P 5/04 123/41.44
2015/0285205	A1*	10/2015	Burkle .....	F01P 5/10 29/888.011

\* cited by examiner

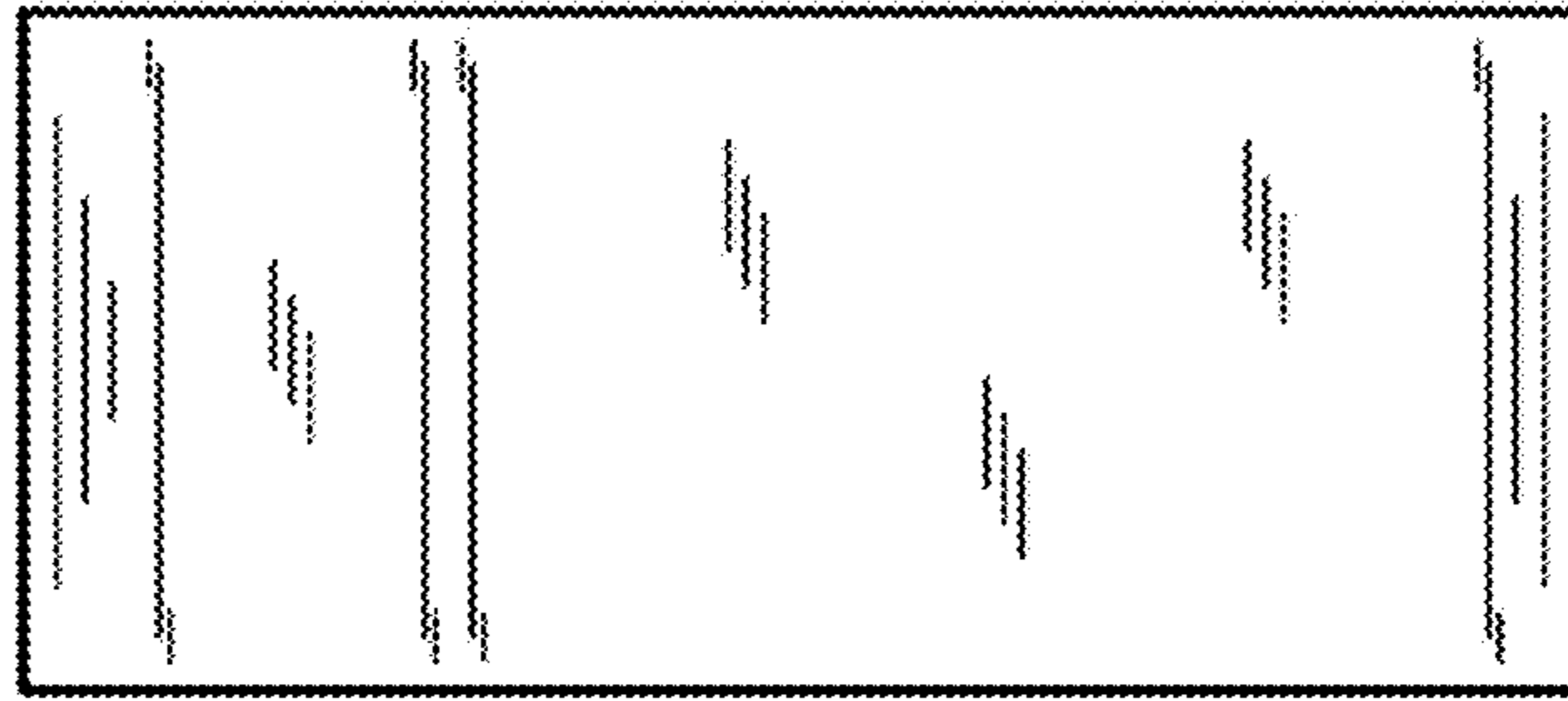


FIG. 3

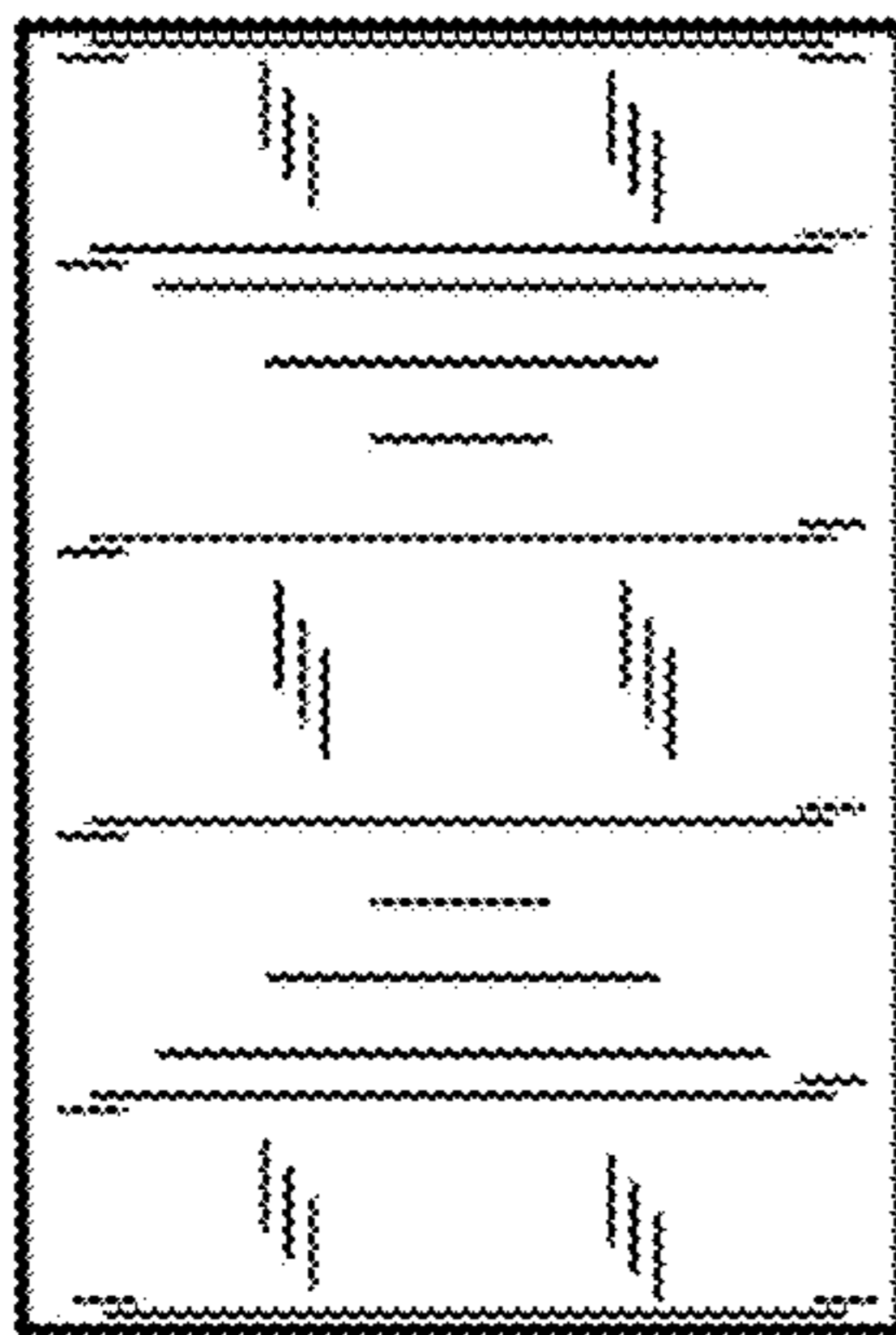


FIG. 2

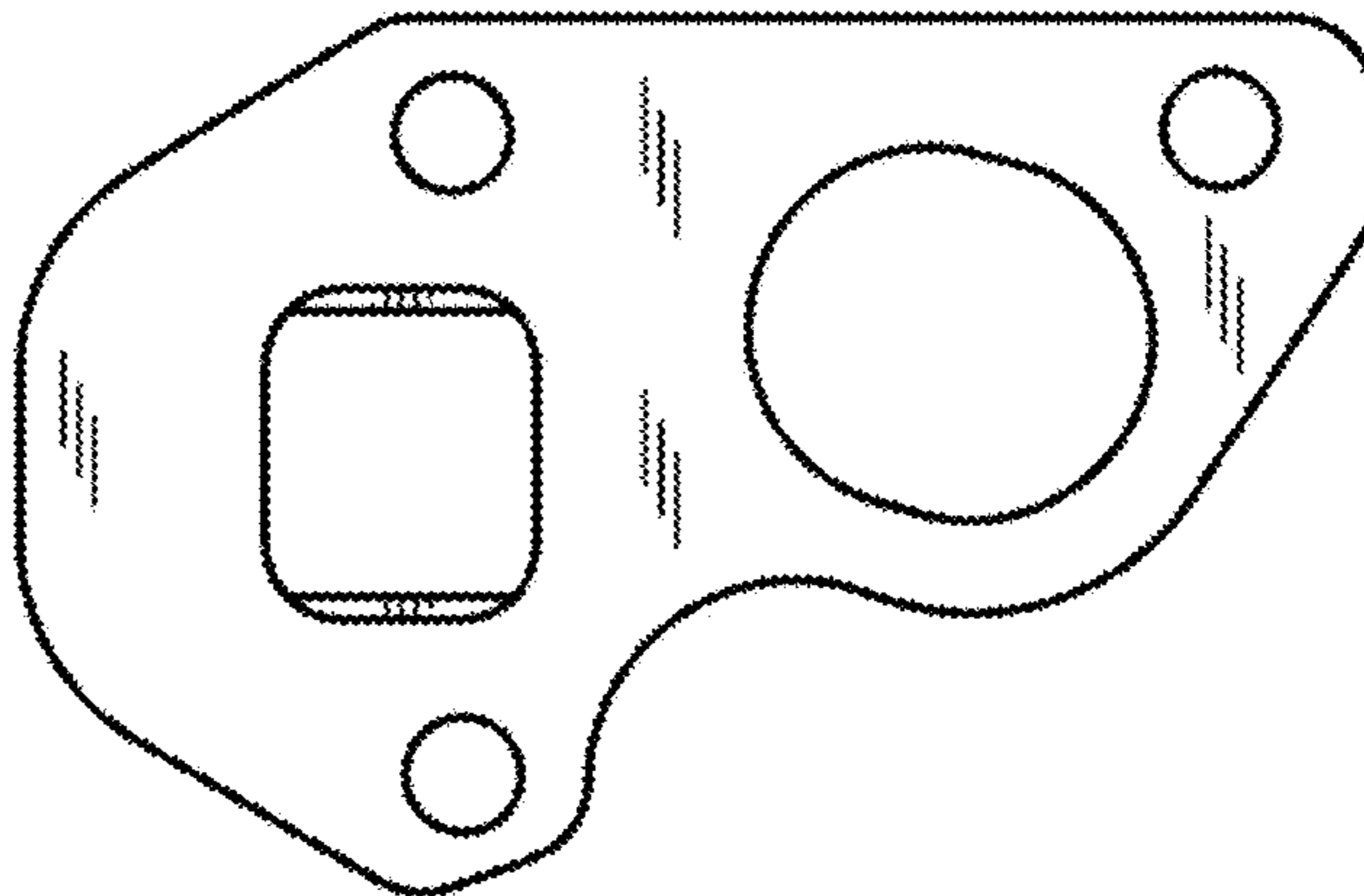


FIG. 1

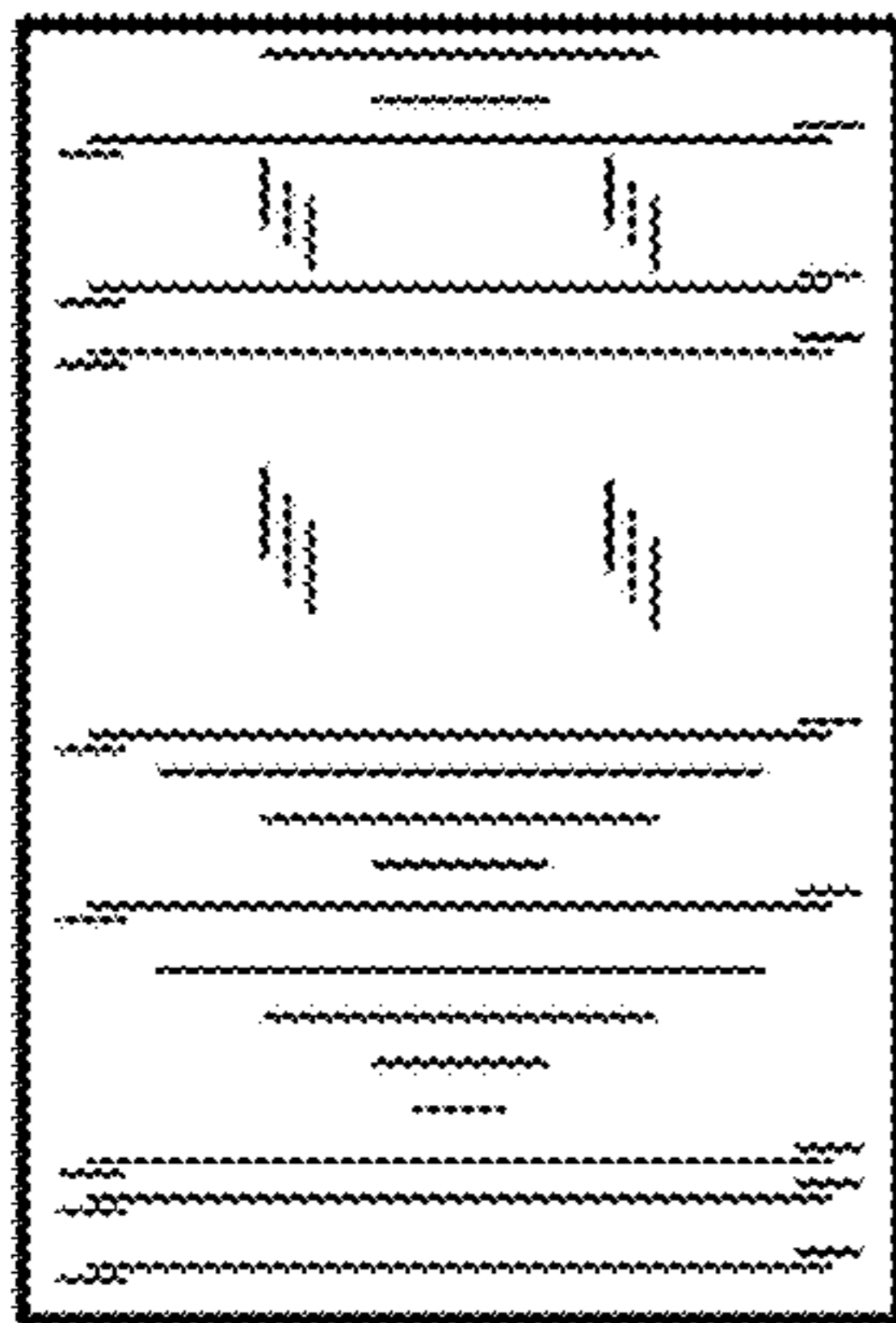


FIG. 4

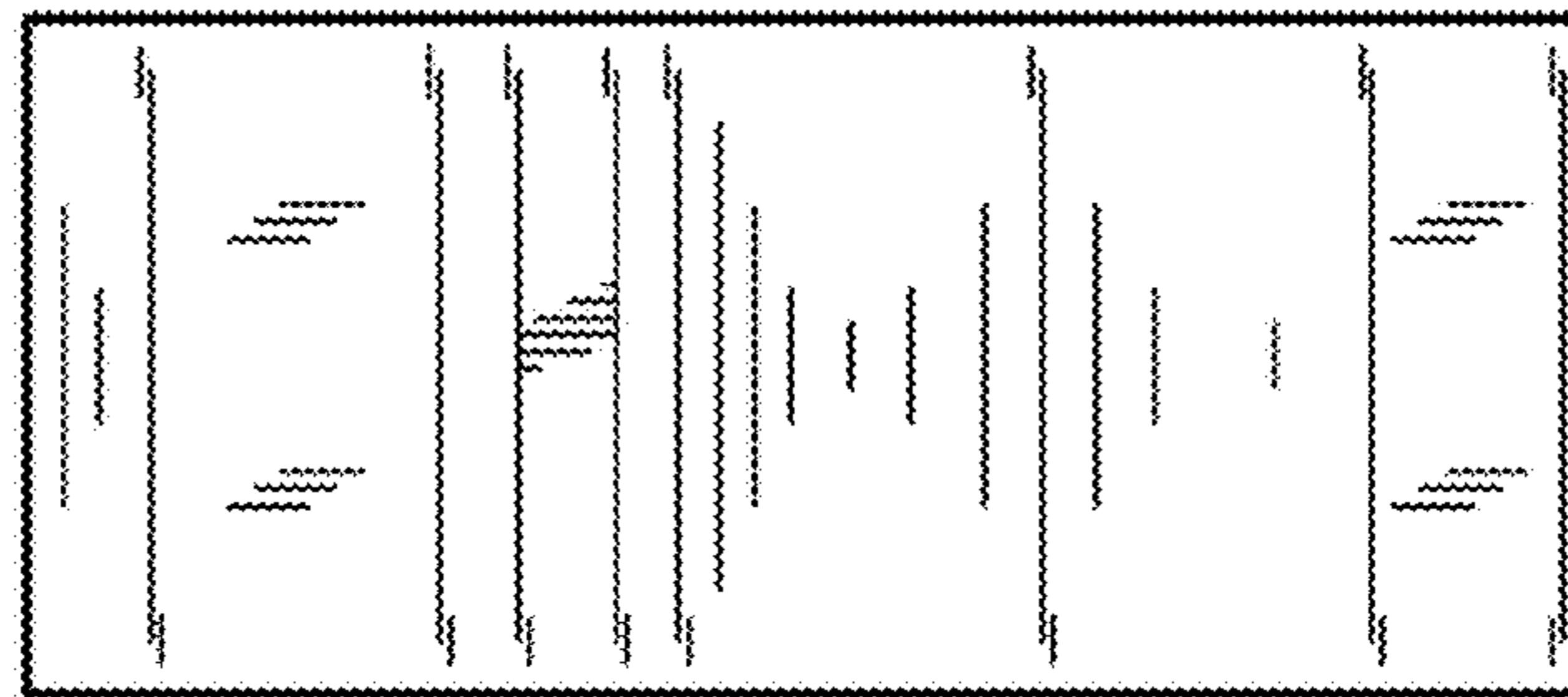


FIG. 5

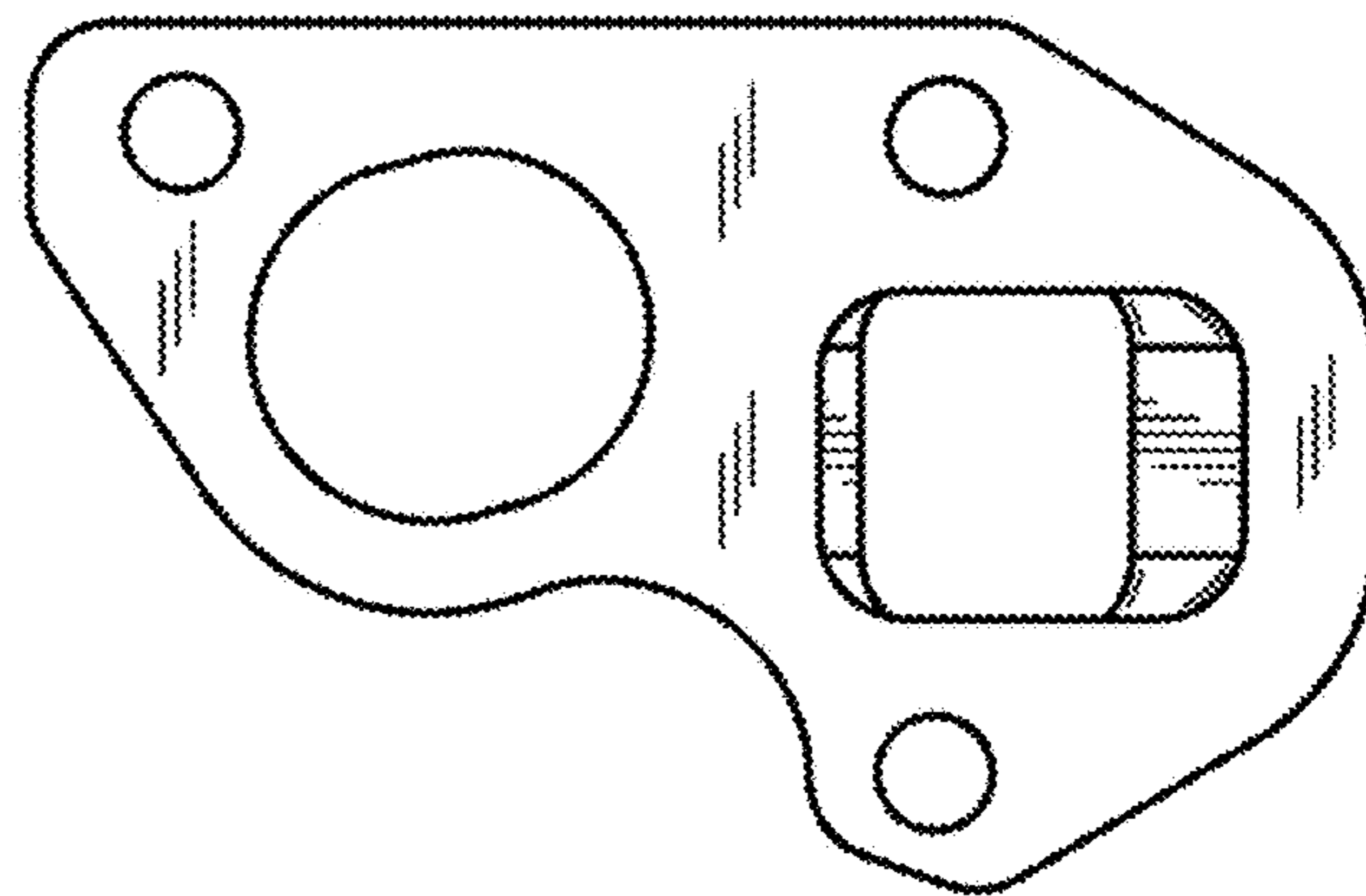


FIG. 6

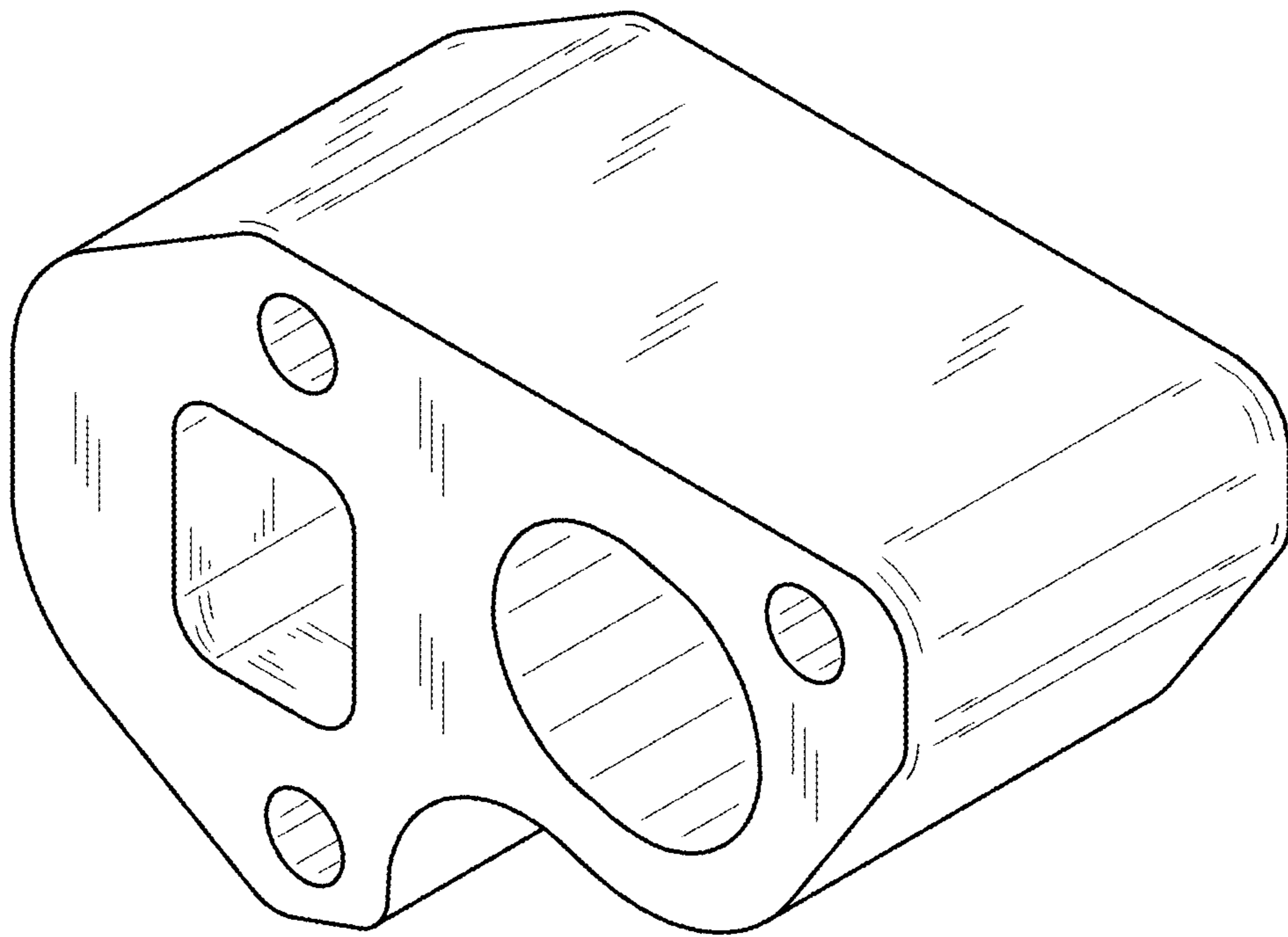


FIG. 7

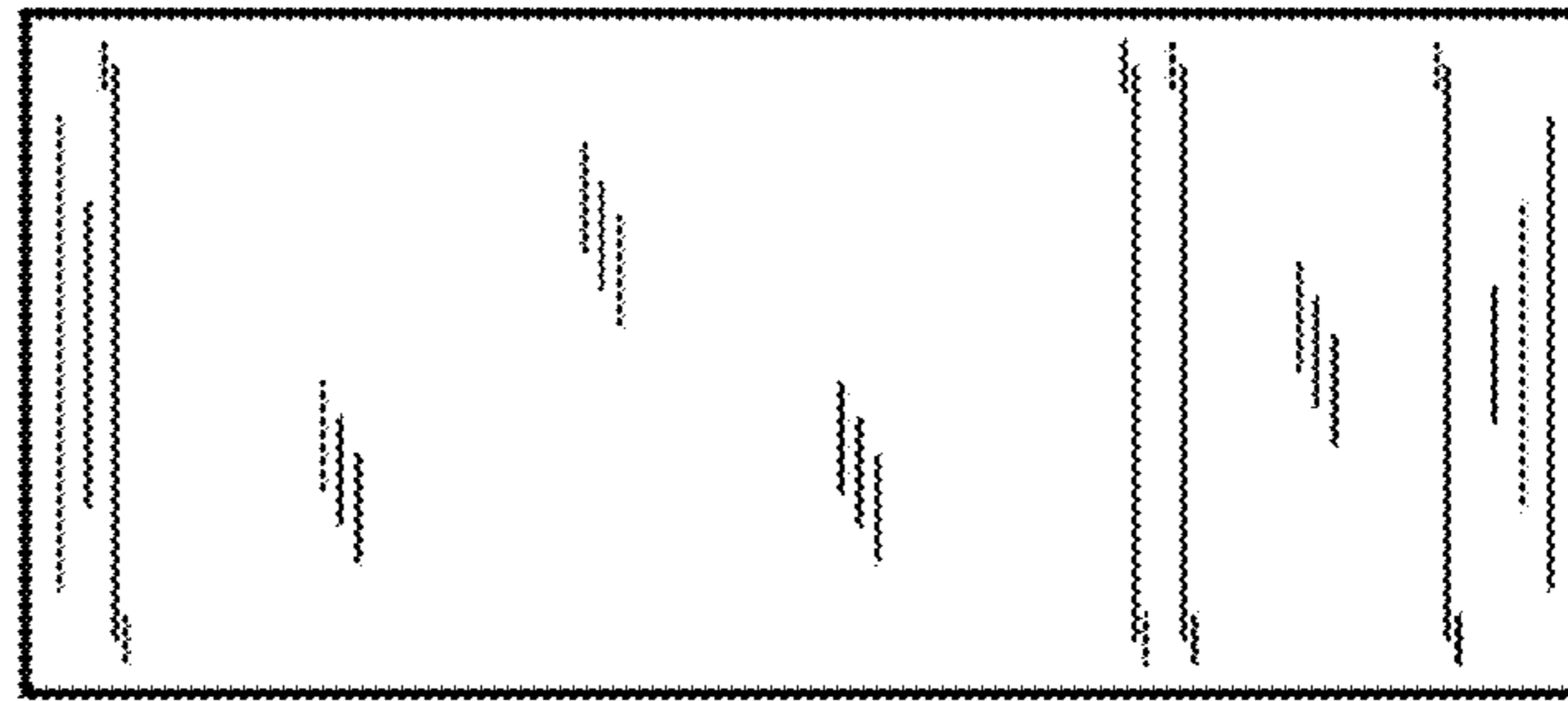


FIG. 10

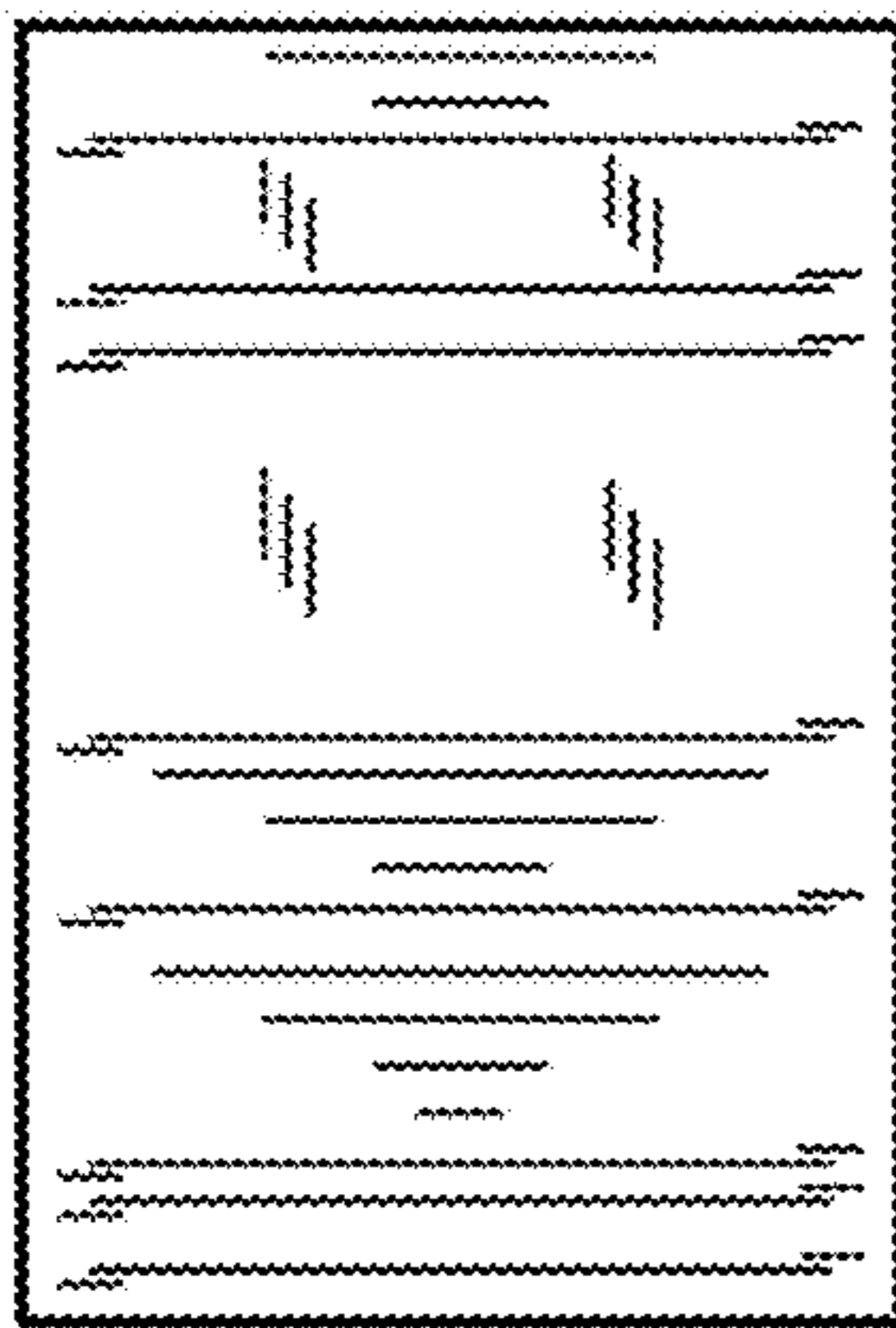


FIG. 9

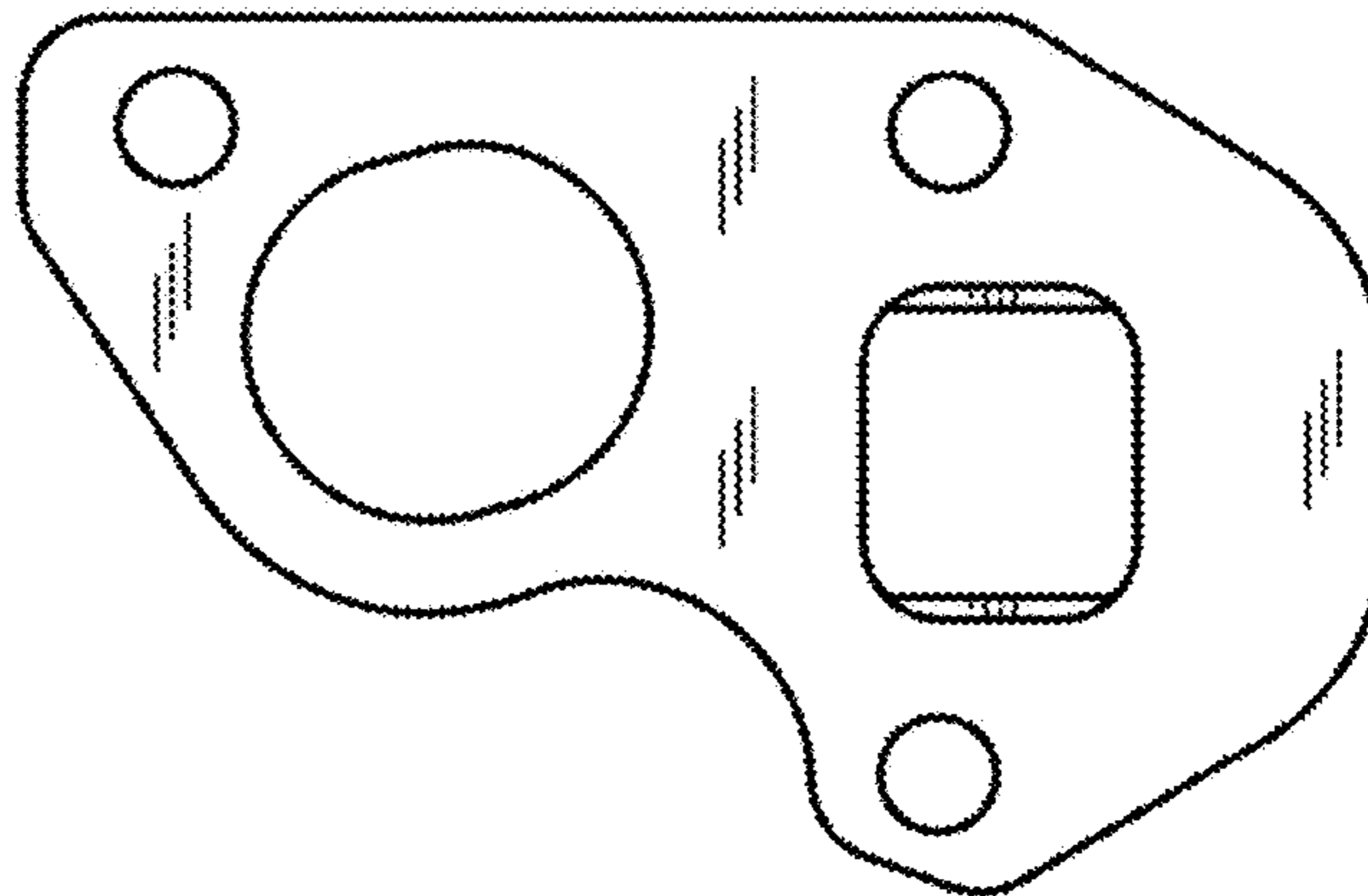


FIG. 8

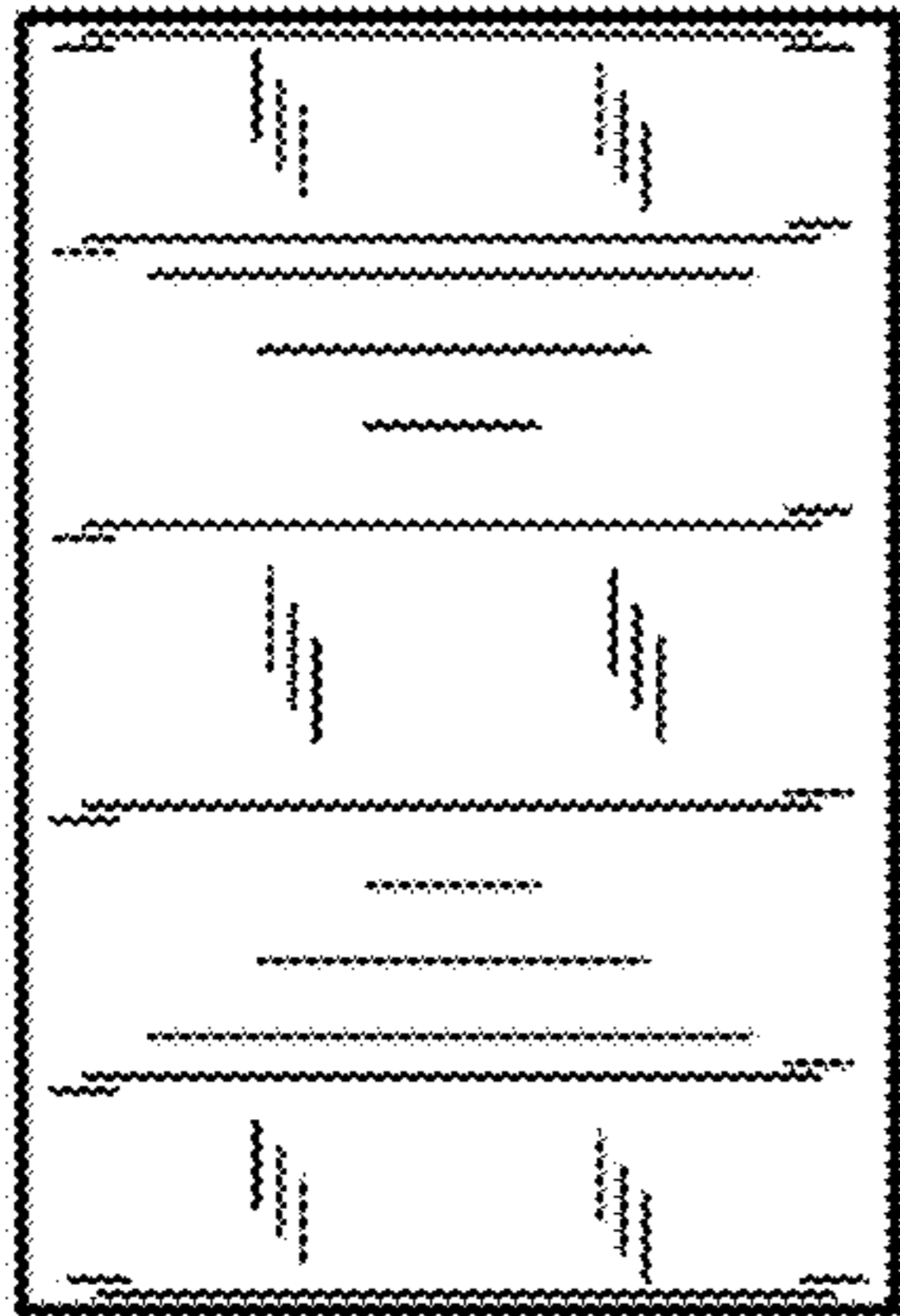


FIG. 11

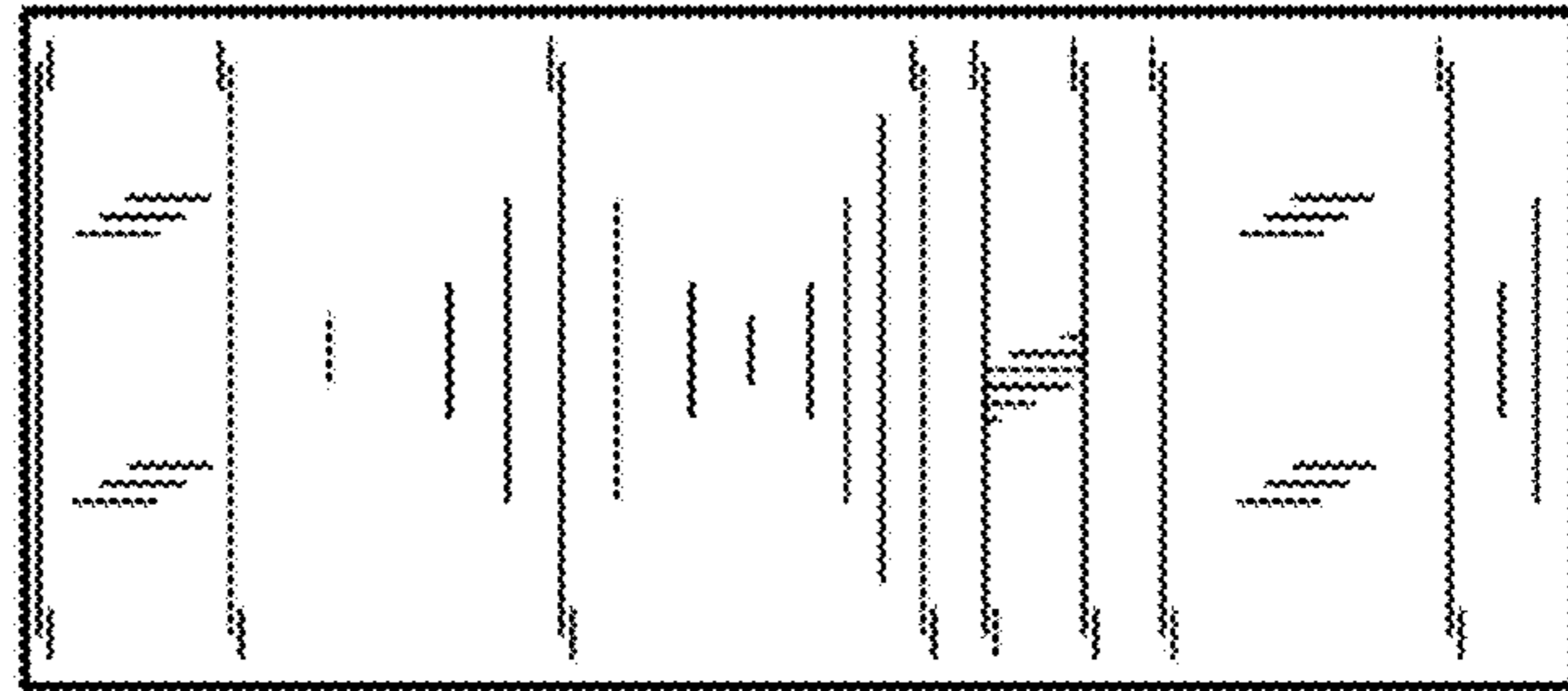


FIG. 12

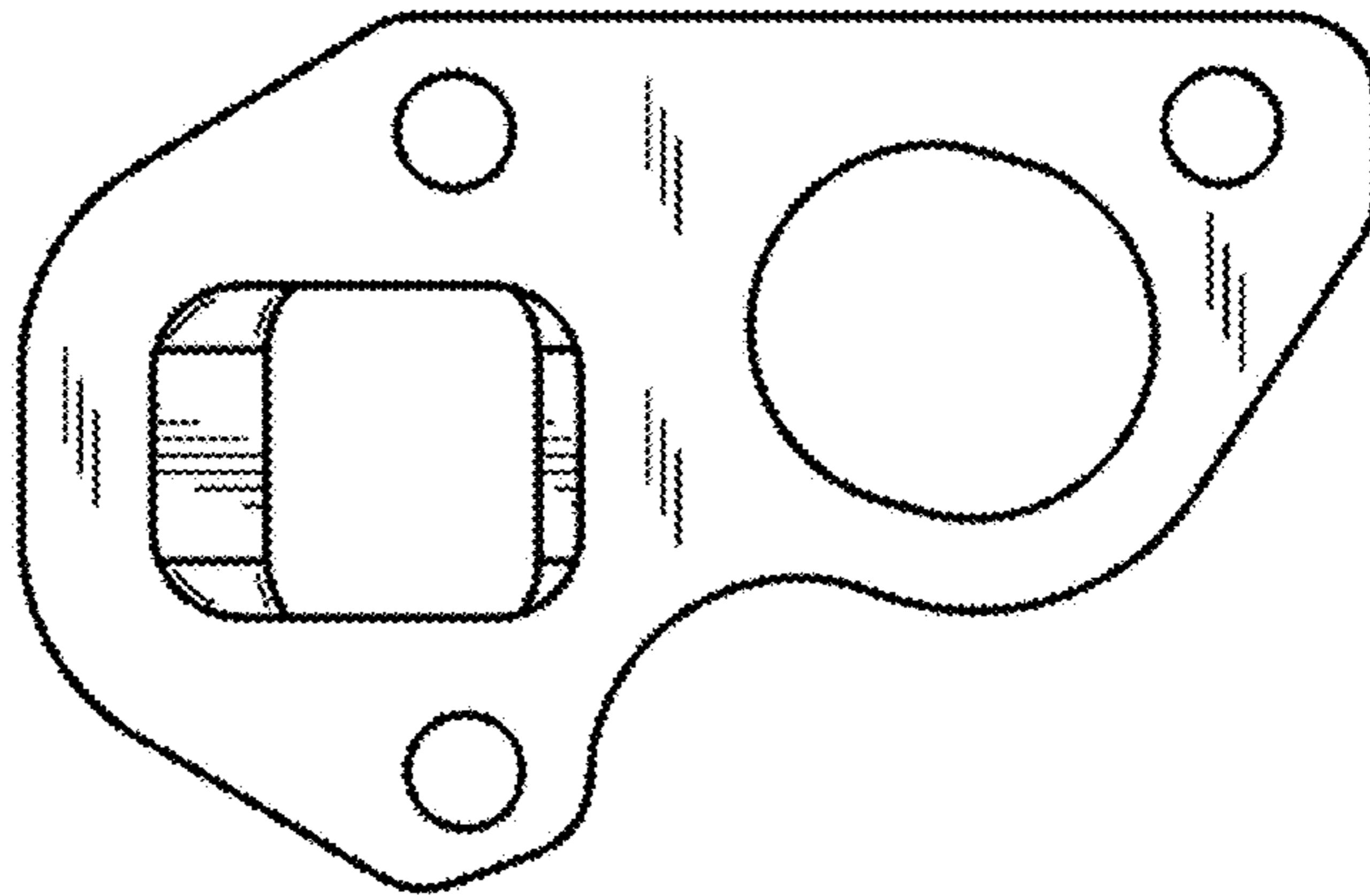


FIG. 13

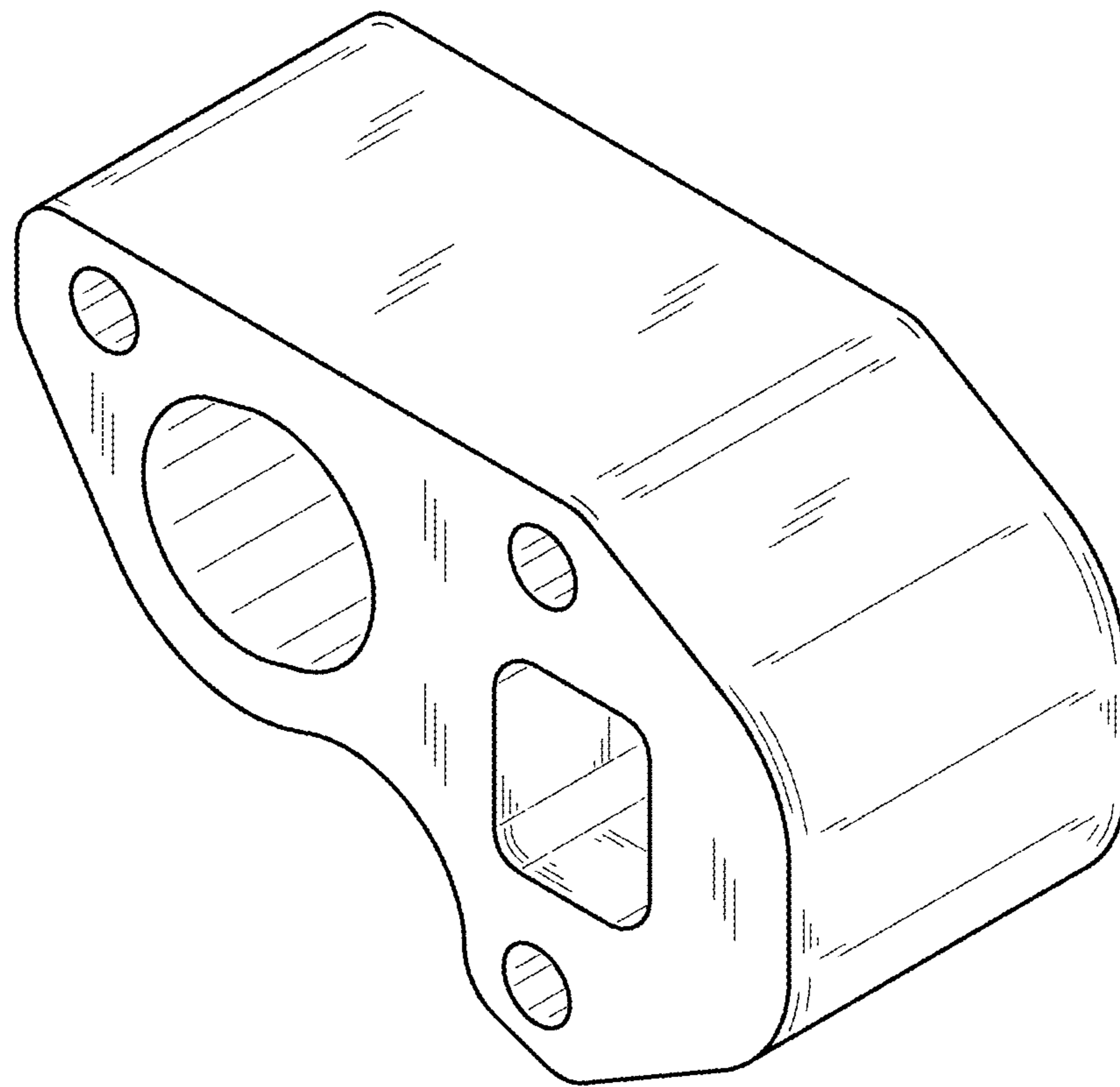


FIG.14



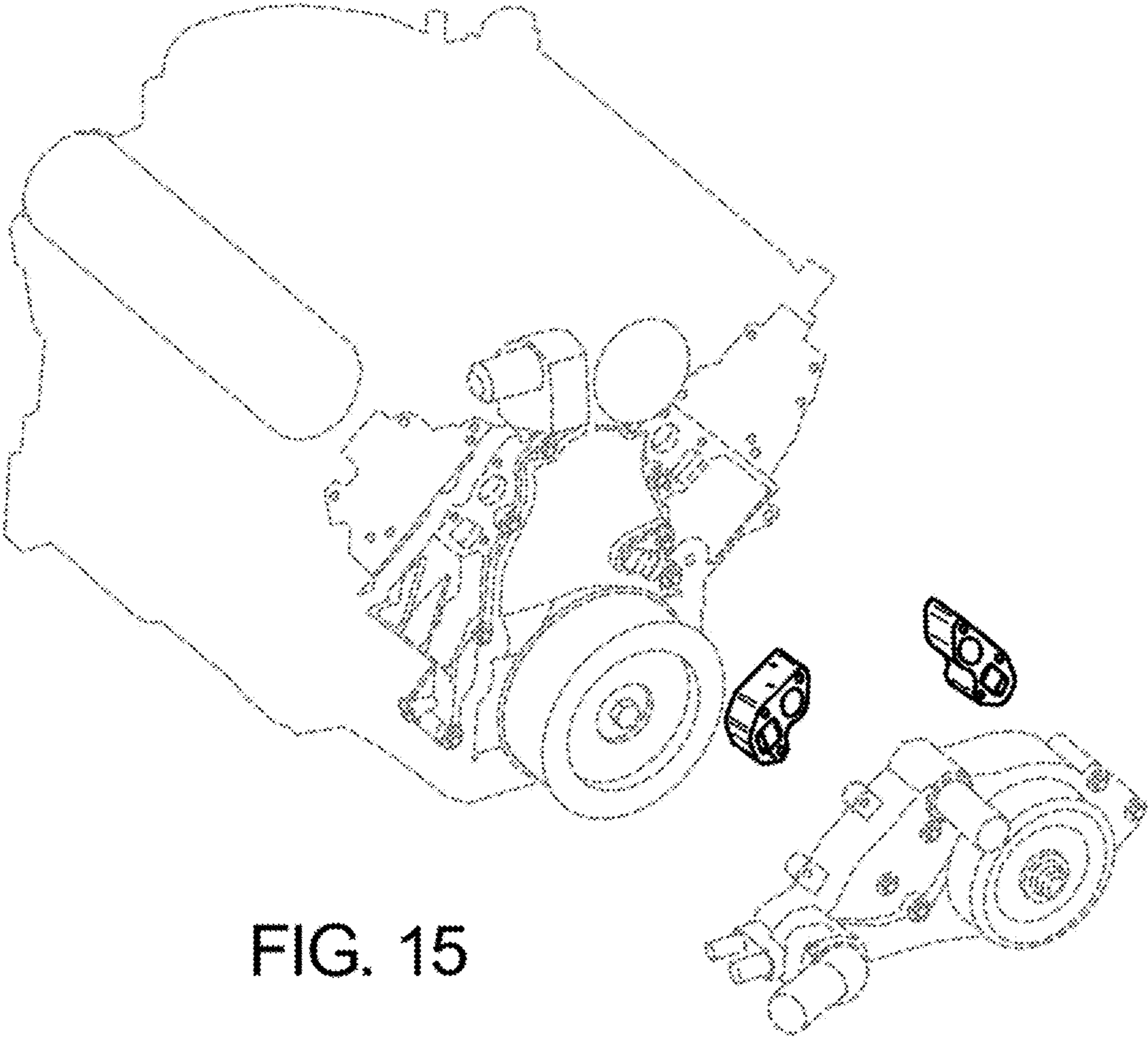


FIG. 15

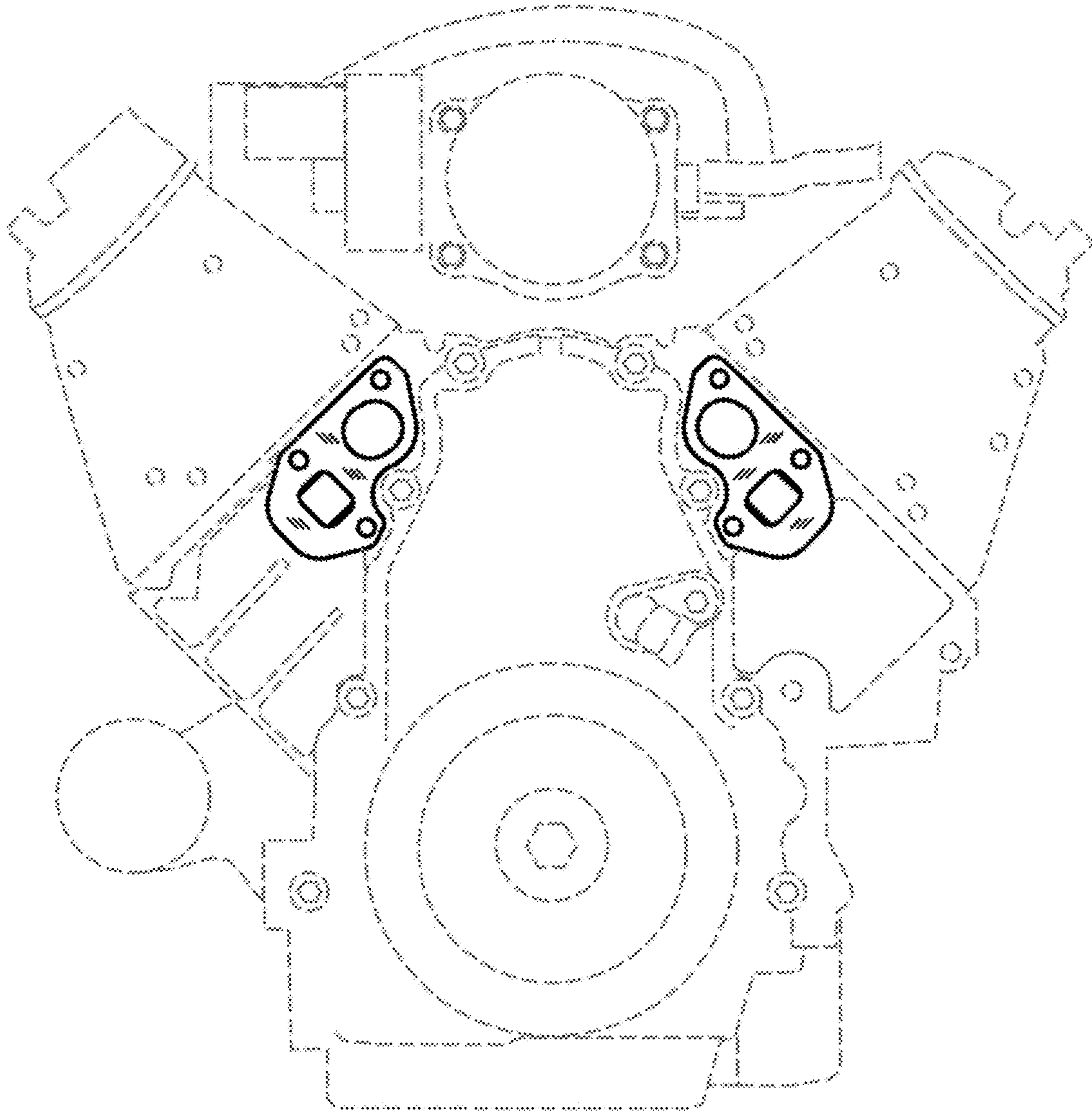


FIG. 16

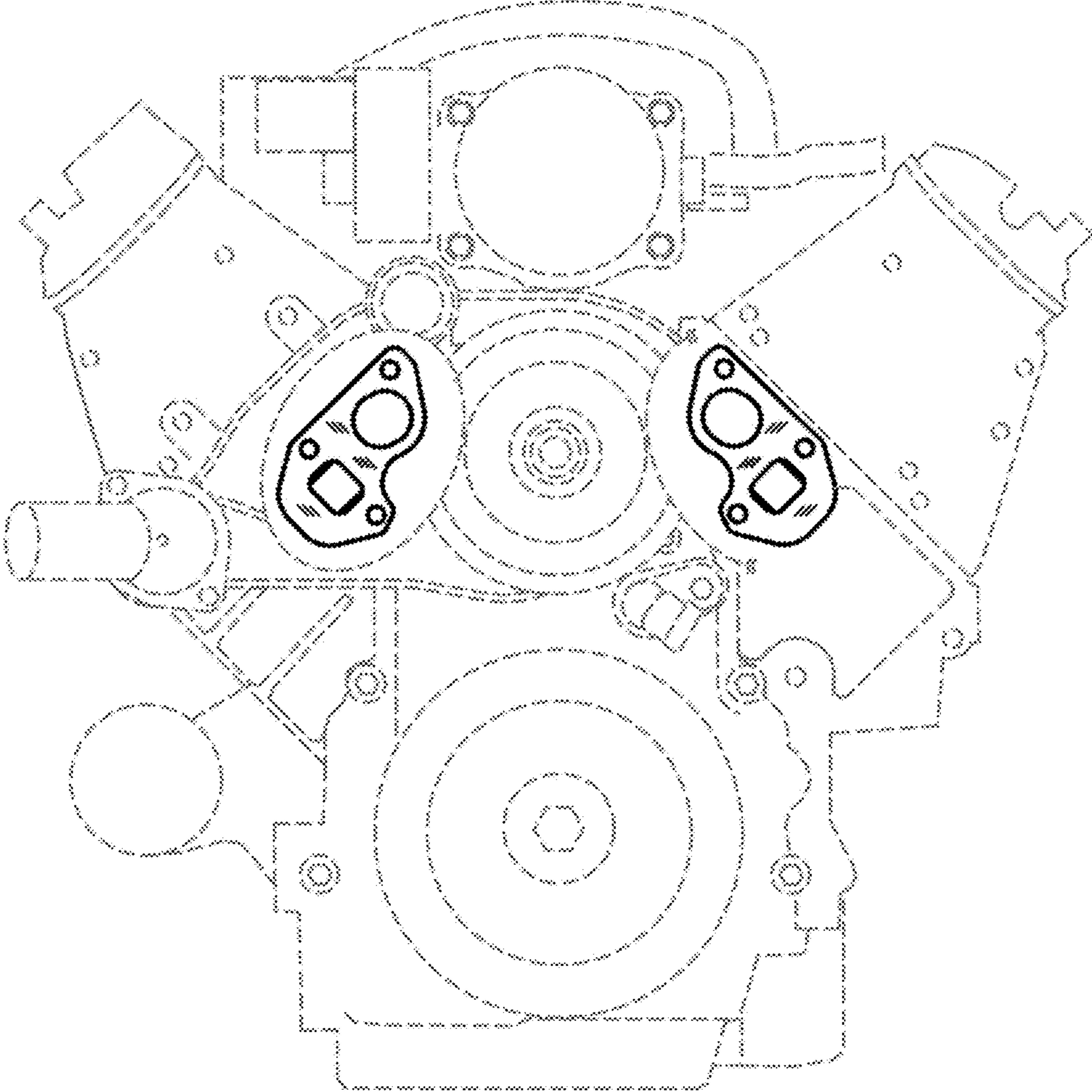


FIG. 17