



US00D816119S

(12) **United States Design Patent** (10) **Patent No.:** **US D816,119 S**
Pu et al. (45) **Date of Patent:** **** Apr. 24, 2018**

(54) **INTELLIGENT CARRYING ROBOT**

CPC A63C 17/12; A63C 17/08; A63C 17/01;
B62D 51/02; B62D 51/001; B62D 37/00;
B62K 11/007; B60N 2/002; B60G 17/019

(71) Applicant: **NINEBOT(BEIJING)TECH. CO., LTD**, Beijing (CN)

See application file for complete search history.

(72) Inventors: **Li Pu**, Beijing (CN); **Ye Wang**, Beijing (CN); **Xingchi Chen**, Beijing (CN)

(56) **References Cited**

(73) Assignee: **NINEBOT (BEIJING) TECH. CO., LTD**, Beijing (CN)

U.S. PATENT DOCUMENTS

(**) Term: **15 Years**

D355,148	S *	2/1995	Orsolini	D12/1
6,561,294	B1 *	5/2003	Kamen	B62D 37/00 180/21
D489,027	S *	4/2004	Waters	D12/1
D493,128	S *	7/2004	Waters	D12/1
D494,099	S *	8/2004	Maurer	D12/1
D507,206	S *	7/2005	Wang	D12/1
D528,468	S *	9/2006	Arling	D12/1
D551,592	S *	9/2007	Chang	D12/1
D551,722	S *	9/2007	Chang	B62K 11/007 D12/1
D569,308	S *	5/2008	Bergeron	D12/7
D587,173	S *	2/2009	Laymaster	D12/128
D594,492	S *	6/2009	Stratton	D15/199
D601,922	S *	10/2009	Imai	D12/1
D626,031	S *	10/2010	Doran	D12/1
D699,626	S *	2/2014	Nam	D12/1
8,800,697	B2 *	8/2014	Hoffmann	B60T 7/042 180/21
9,085,334	B2 *	7/2015	Hoffmann	B62K 1/00
D735,608	S *	8/2015	Cao	D12/1
D739,307	S *	9/2015	Hoffmann	D12/107
D743,843	S *	11/2015	Guo	D12/1

(21) Appl. No.: **35/501,473**

(22) Filed: **May 12, 2016**

(80) **Hague Agreement Data**

Int. Filing Date: **May 12, 2016**

Int. Reg. No.: **DM/092141**

Int. Reg. Date: **May 12, 2016**

Int. Reg. Pub. Date: **Sep. 2, 2016**

(Continued)

(30) **Foreign Application Priority Data**

Nov. 12, 2015 (CN) 2015 3 0451294

(51) **LOC (11) Cl.** **12-14**

(52) **U.S. Cl.**
USPC **D15/1; D6/354**
CPC **A63C 17/12 (2013.01)**

Primary Examiner — Richard E Chilcot

(74) *Attorney, Agent, or Firm* — Margaret Polson; Polson Intellectual Property Law PC

(57) **CLAIM**

The ornamental design for an intelligent carrying robot, as shown and described.

DESCRIPTION

(58) **Field of Classification Search**

USPC D12/1; D21/419–435, 533, 537, 760,
D21/765, 771; 280/87.021, 87.041, 200,
280/210, 214, 239, 263, 282,
280/288.1–288.4; 180/180, 181, 21, 8.2,
180/5.26, 6.5, 7.1, 65.8, 907; D6/354

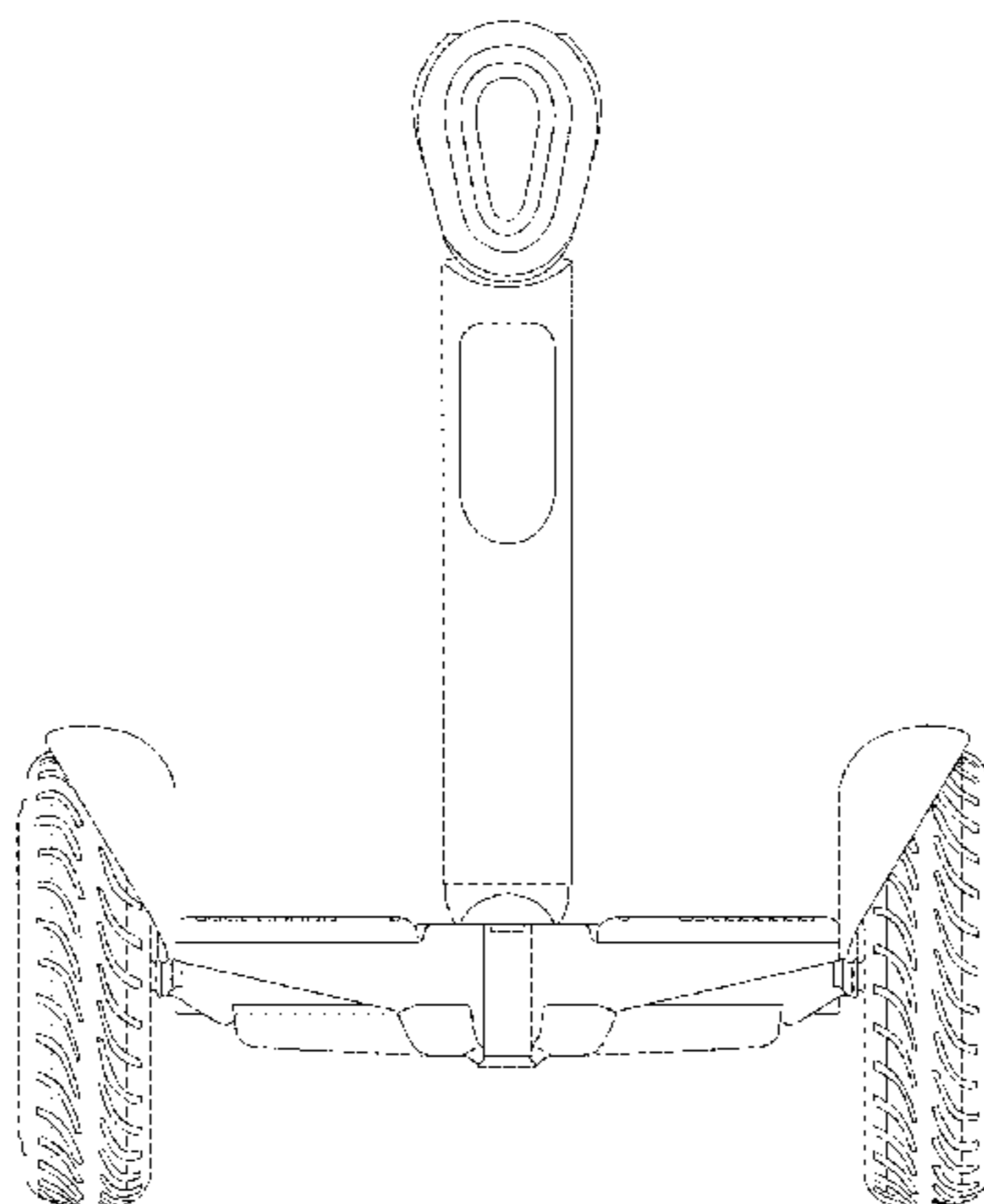
1.1 is a front view of an intelligent carrying robot showing our new design;

1.2 is a back view thereof;

1.3 is a left side view thereof;

1.4 is a right side view thereof;

(Continued)



- 1.5 is a top view thereof;
- 1.6 is a bottom view thereof;
- 1.7 is a perspective view thereof;
- 1.8 is a perspective view of use state thereof.

1 Claim, 6 Drawing Sheets

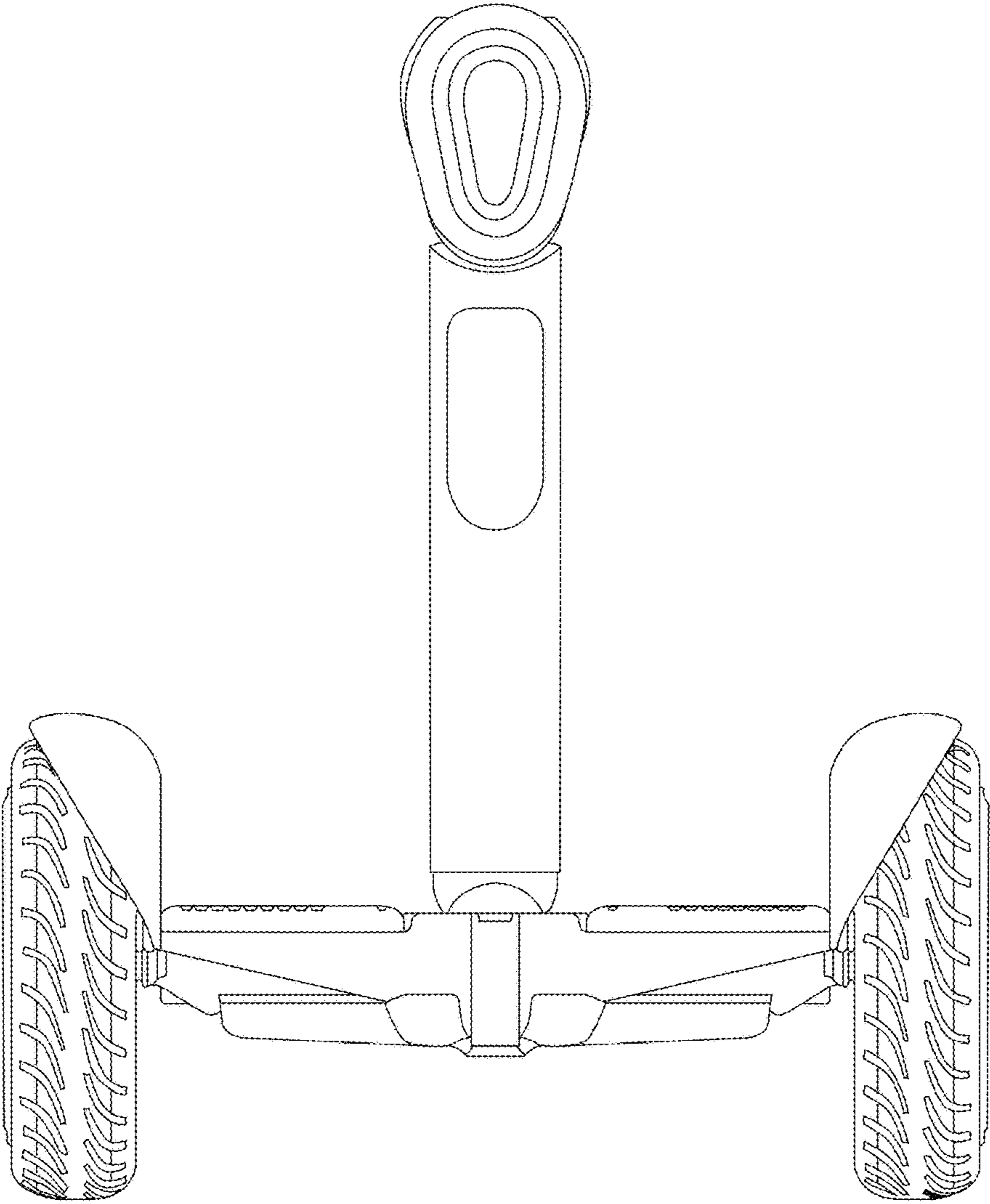
(56)

References Cited

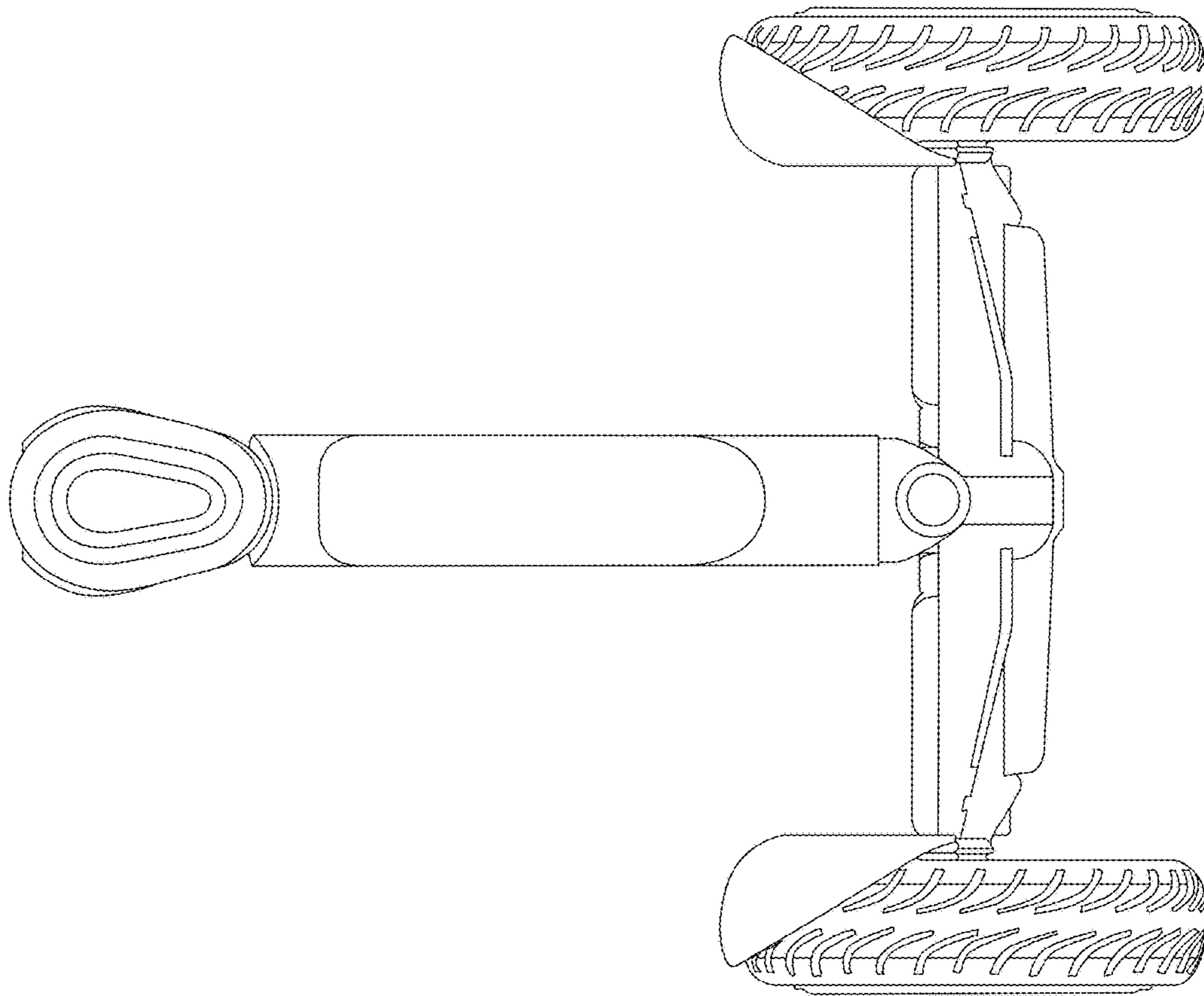
U.S. PATENT DOCUMENTS

9,188,984	B2 *	11/2015	Kamen	A63C 17/01
D748,533	S *	2/2016	Collins	D12/1
D774,600	S *	12/2016	Tao	D12/1
D774,940	S *	12/2016	de la Gandara	D12/1
9,545,963	B2 *	1/2017	Kamen	B60G 17/019
9,611,004	B2 *	4/2017	Hoffmann	B62M 7/12
D788,639	S *	6/2017	Constin	D12/1
D792,715	S *	7/2017	Liu	D6/354
D793,107	S *	8/2017	Liu	D6/354
D793,905	S *	8/2017	Liu	D12/1
D794,345	S *	8/2017	Liu	D6/354
2005/0134014	A1 *	6/2005	Xie	B62D 51/001 280/93.502

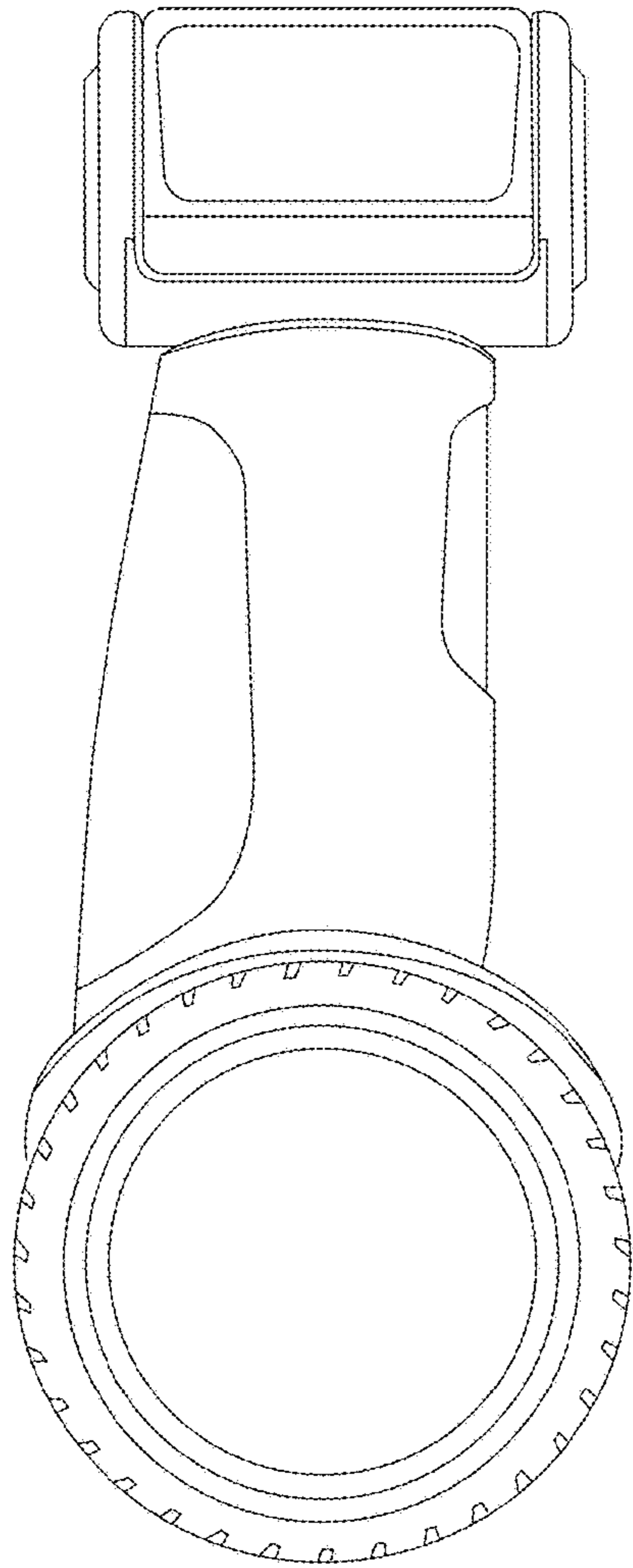
* cited by examiner



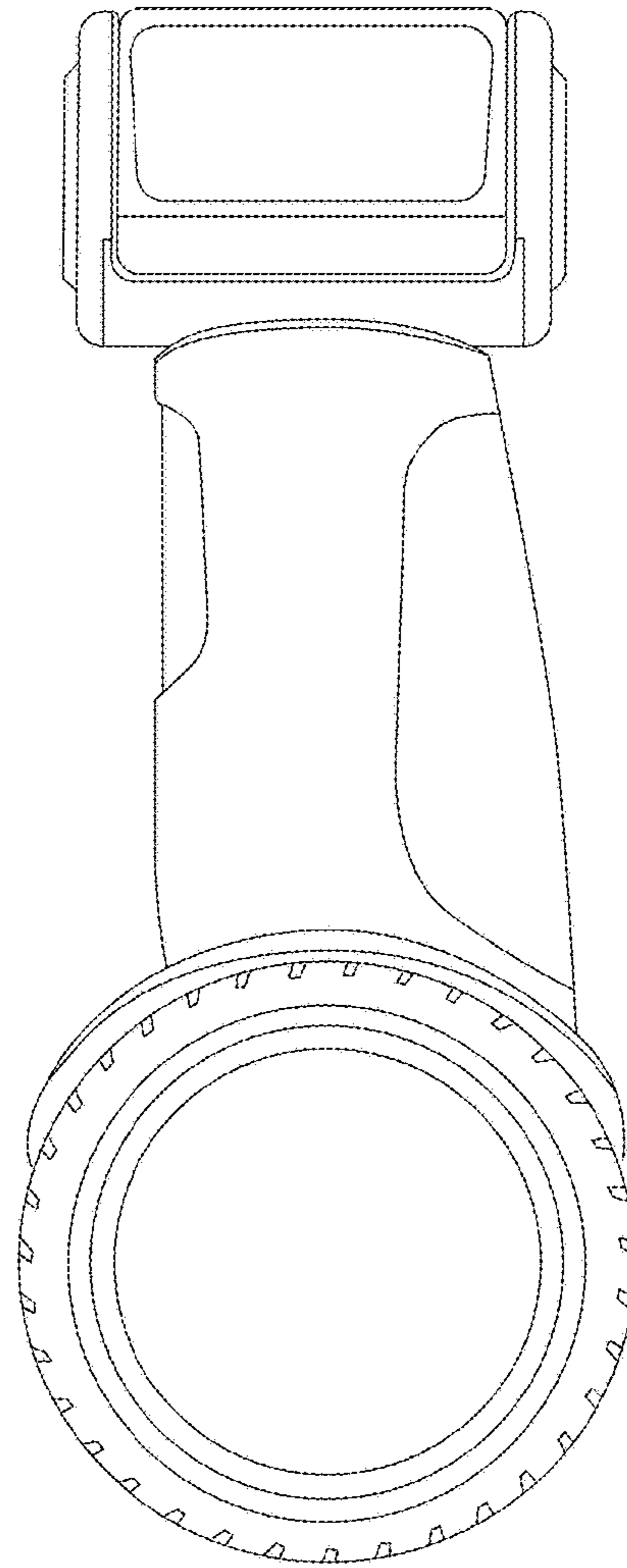
1.1



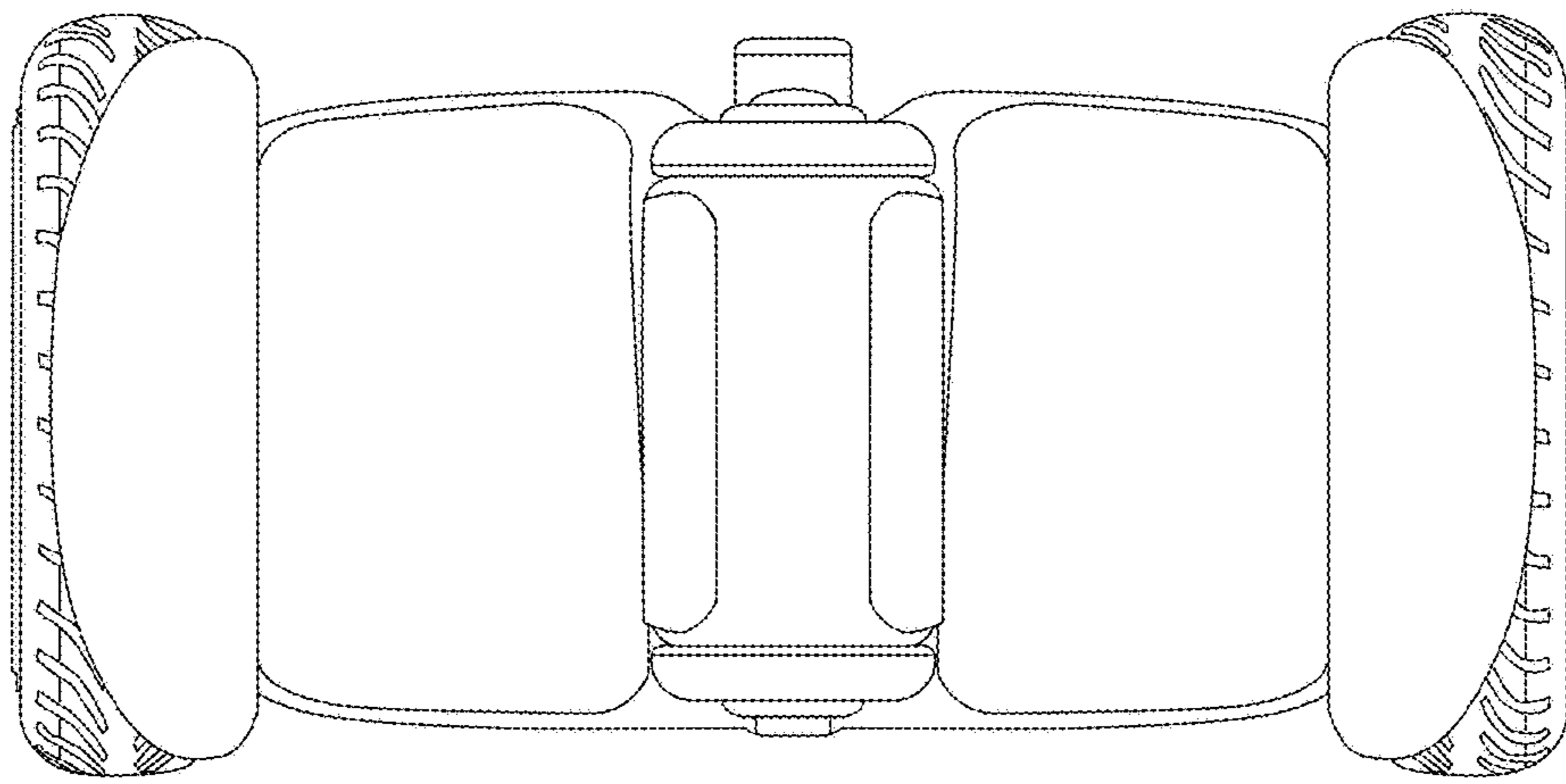
1.2



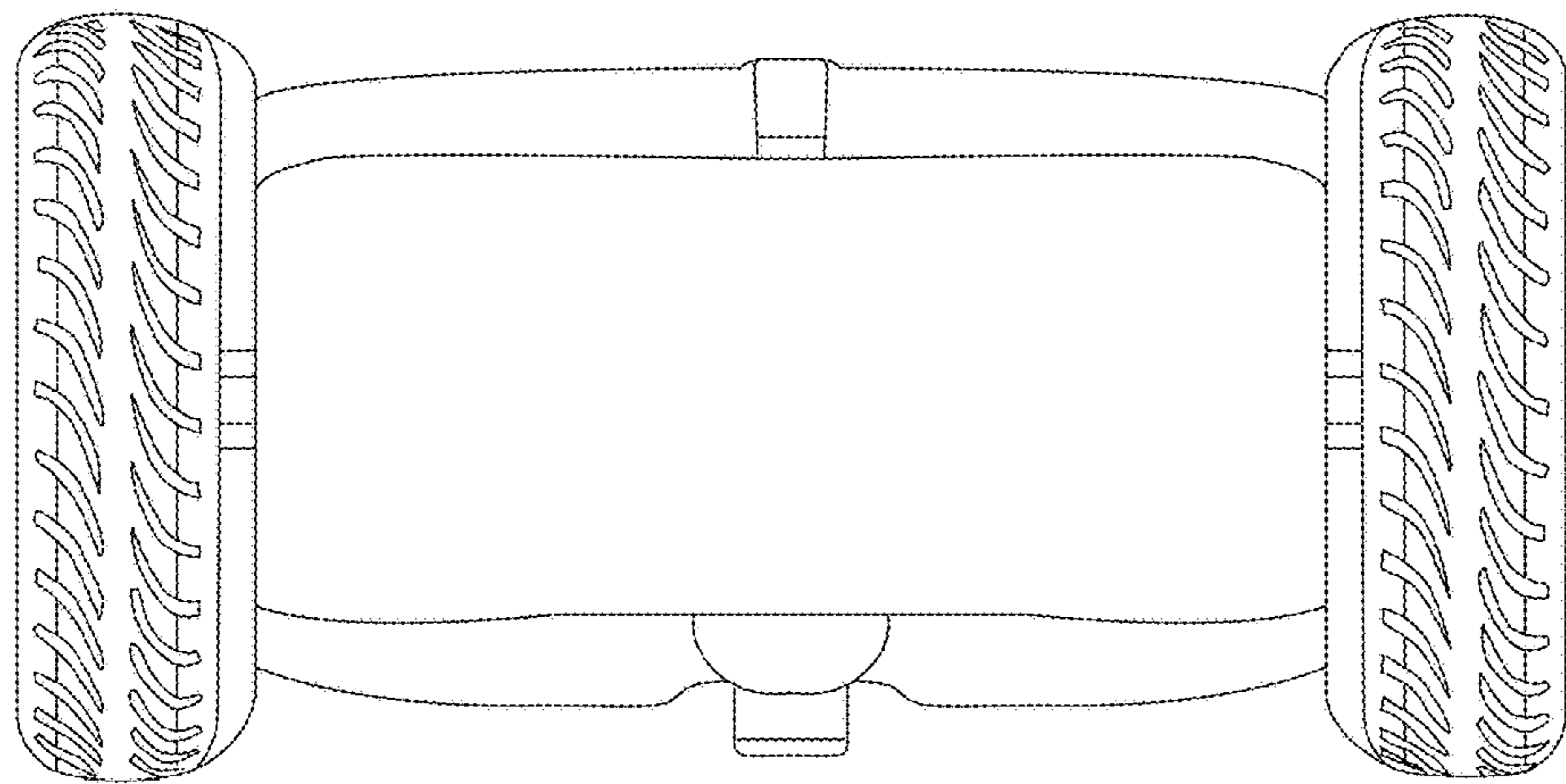
1.3



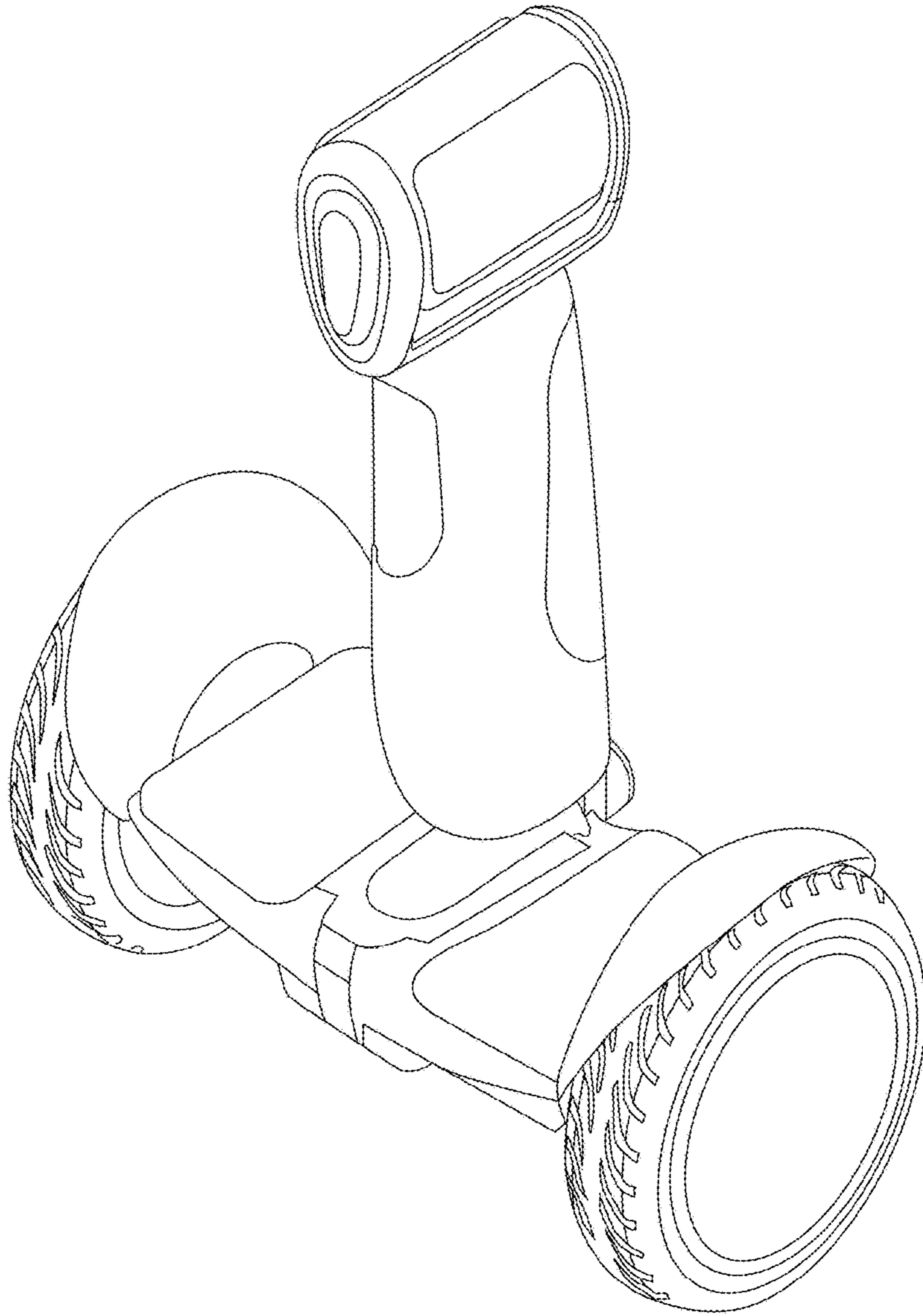
1.4



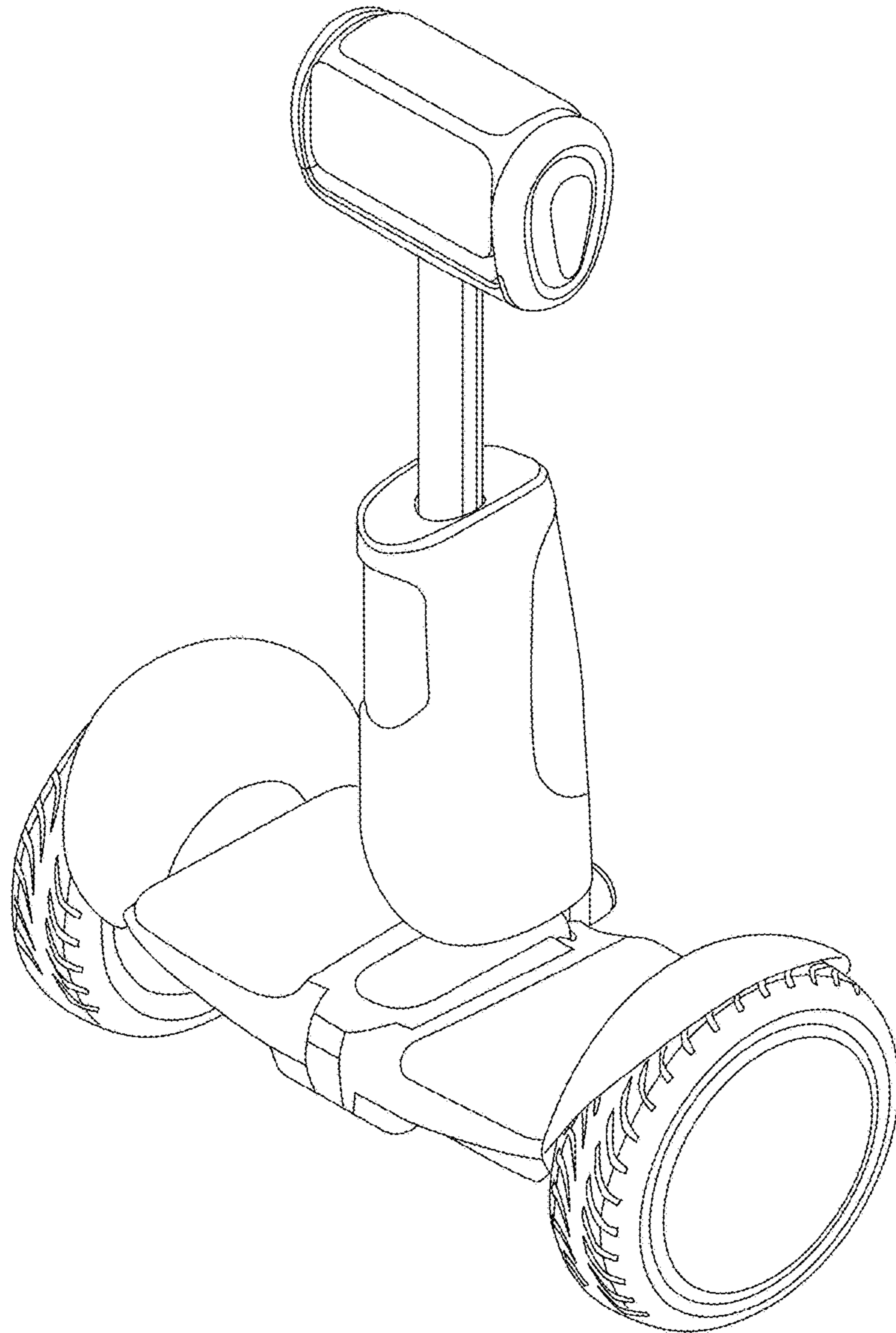
1.5



1.6



1.7



1.8