



US00D816118S

(12) **United States Design Patent**
Muraki

(10) **Patent No.:** **US D816,118 S**

(45) **Date of Patent:** **** Apr. 24, 2018**

(54) **DATA RECORDER**

(71) Applicant: **TOMY COMPANY, LTD.**, Tokyo (JP)

(72) Inventor: **Makoto Muraki**, Tokyo (JP)

(73) Assignee: **TOMY COMPANY, LTD.**, Tokyo (JP)

(**) Term: **15 Years**

(21) Appl. No.: **29/539,879**

(22) Filed: **Sep. 18, 2015**

(30) **Foreign Application Priority Data**

Mar. 20, 2015 (JP) 2015-005965

(51) **LOC (11) Cl.** **14-03**

(52) **U.S. Cl.**
USPC **D14/496**

(58) **Field of Classification Search**
USPC D14/432, 434, 447, 299, 496,
D14/203.1–203.8, 149, 155, 157, 188,
D14/209.1, 217, 348–370, 435, 474, 478;
D21/324, 328, 332, 333; 361/600,
361/679–686; 320/114, 115;
345/156–161, 905, 901; 439/529, 534,
439/929; 455/556, 556.2, 557
CPC .. G06F 1/16; G06F 5/00; H04N 5/225; H04N
5/40; H04B 1/08; H04B 7/2606
See application file for complete search history.

(56) **References Cited**

U.S. PATENT DOCUMENTS

7,203,529 B2 * 4/2007 Kim H04N 1/2112
348/E7.079
D556,210 S * 11/2007 Choi D14/496

D581,943 S * 12/2008 Pedersen D14/150
D607,434 S * 1/2010 Miyazawa D14/203.3
D643,401 S * 8/2011 Chen D14/203.3
D729,277 S * 5/2015 Uchida D14/435.1
D769,941 S * 10/2016 Srivatsan D14/496
D784,277 S * 4/2017 Jesenko D14/126
9,612,719 B2 * 4/2017 Kim G06F 3/1462
D795,254 S * 8/2017 Ishida D14/125
2007/0152979 A1 * 7/2007 Jobs G06F 3/0236
345/173

* cited by examiner

Primary Examiner — Prabhakar G Deshmukh

(74) *Attorney, Agent, or Firm* — Staas & Halsey LLP

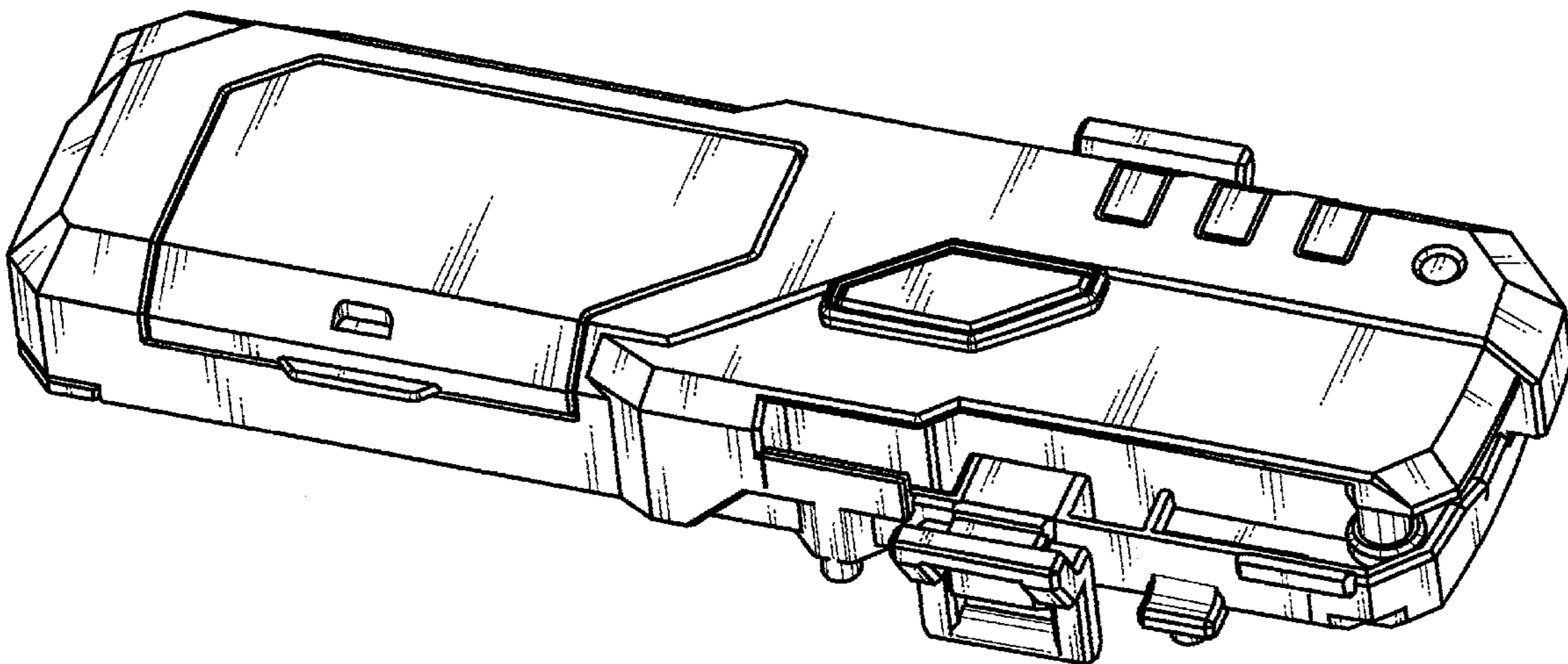
(57) **CLAIM**

The ornamental design for a data recorder, as shown and described.

DESCRIPTION

FIG. 1 is a bottom view of the data recorder showing my design;
FIG. 2 is a front view thereof;
FIG. 3 is a left side view thereof;
FIG. 4 is perspective view thereof;
FIG. 5 is a rear view thereof;
FIG. 6 is a perspective view thereof, show in an environmental use
FIG. 7 is a right side view thereof; and,
FIG. 8 is a top view thereof.
The portions of the article shown in broken lines form no part of the claimed design.

1 Claim, 8 Drawing Sheets



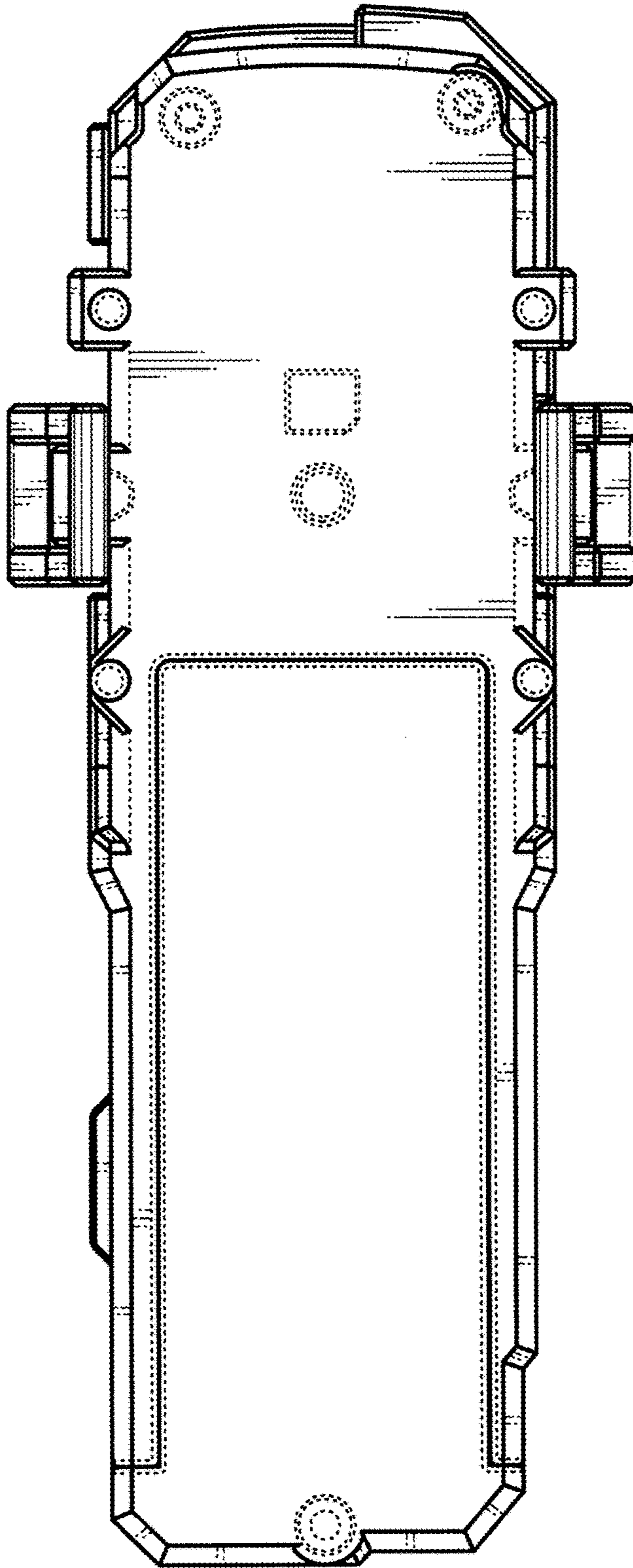


Figure 1

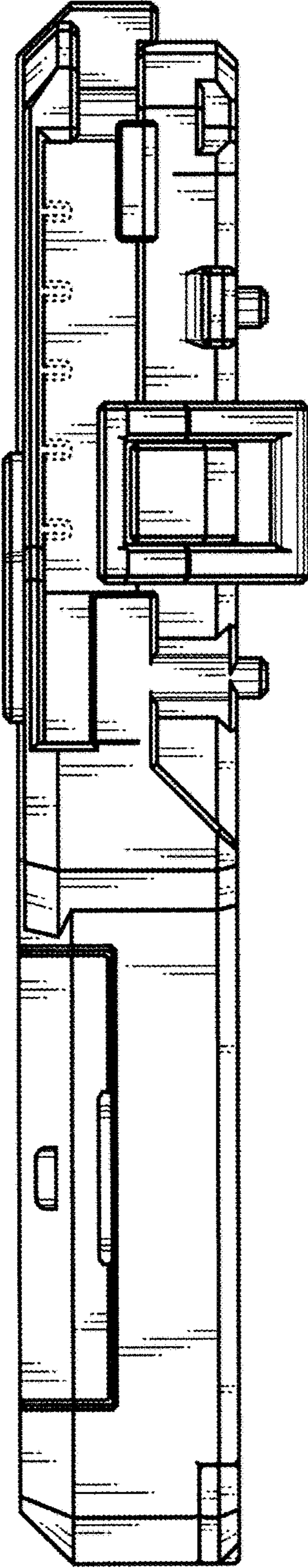


Figure 2

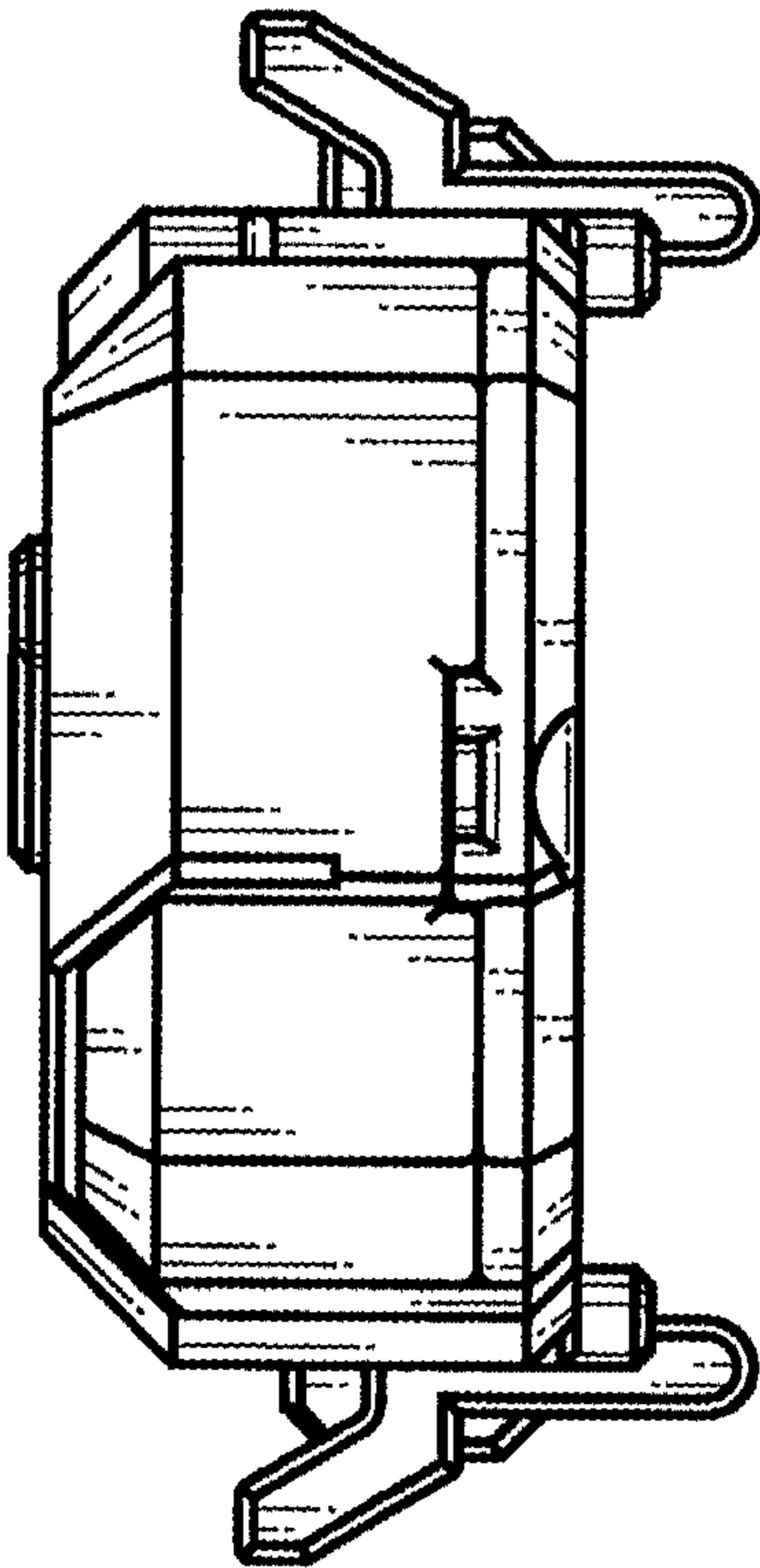


FIG. 3

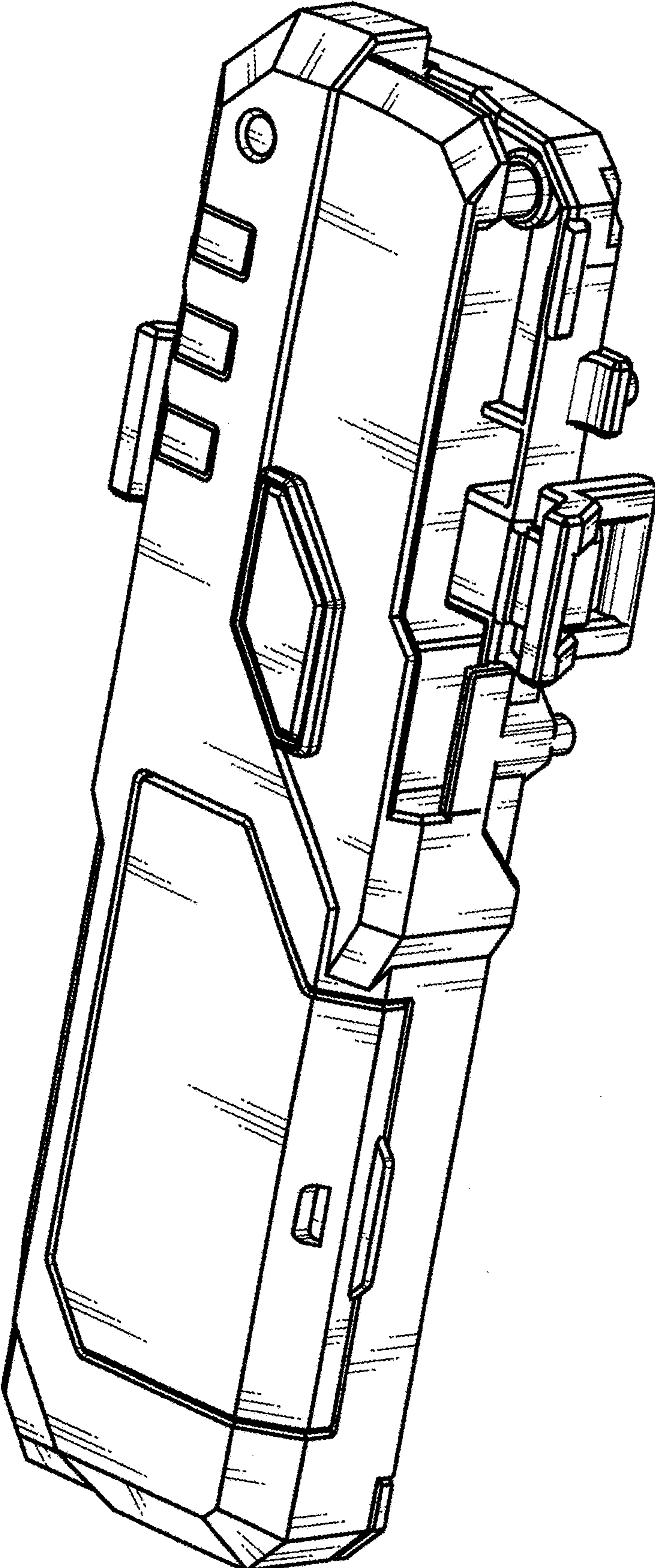


FIG. 4

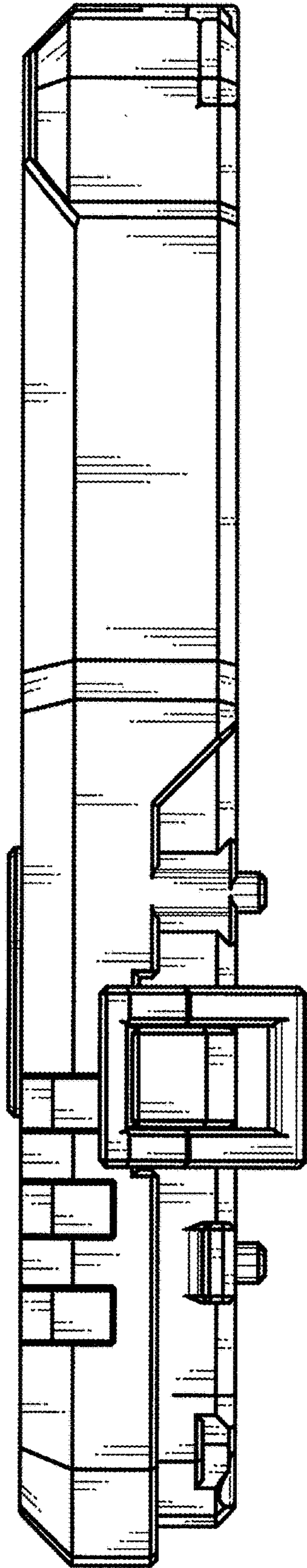


FIG. 5

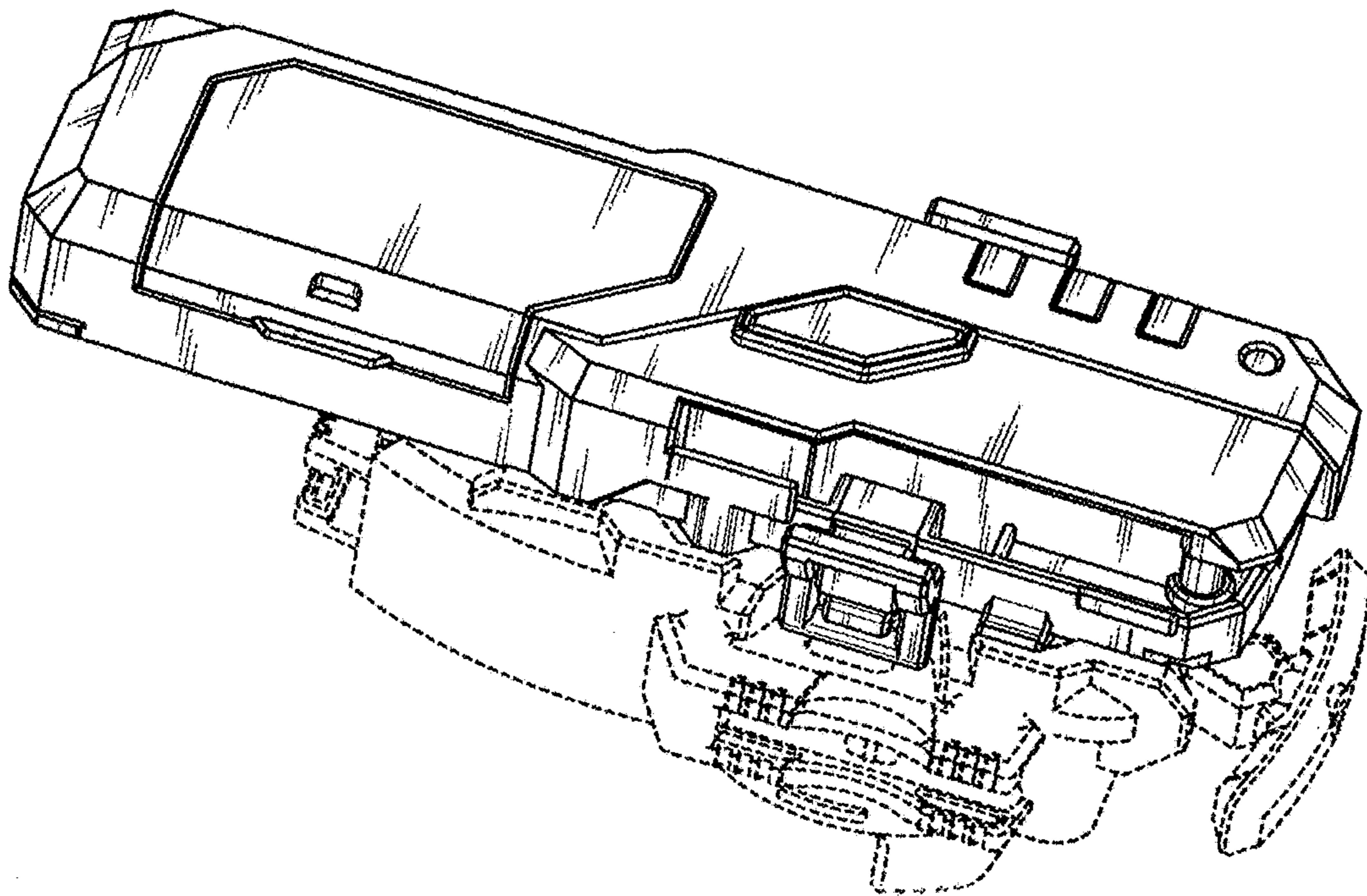


FIG. 6

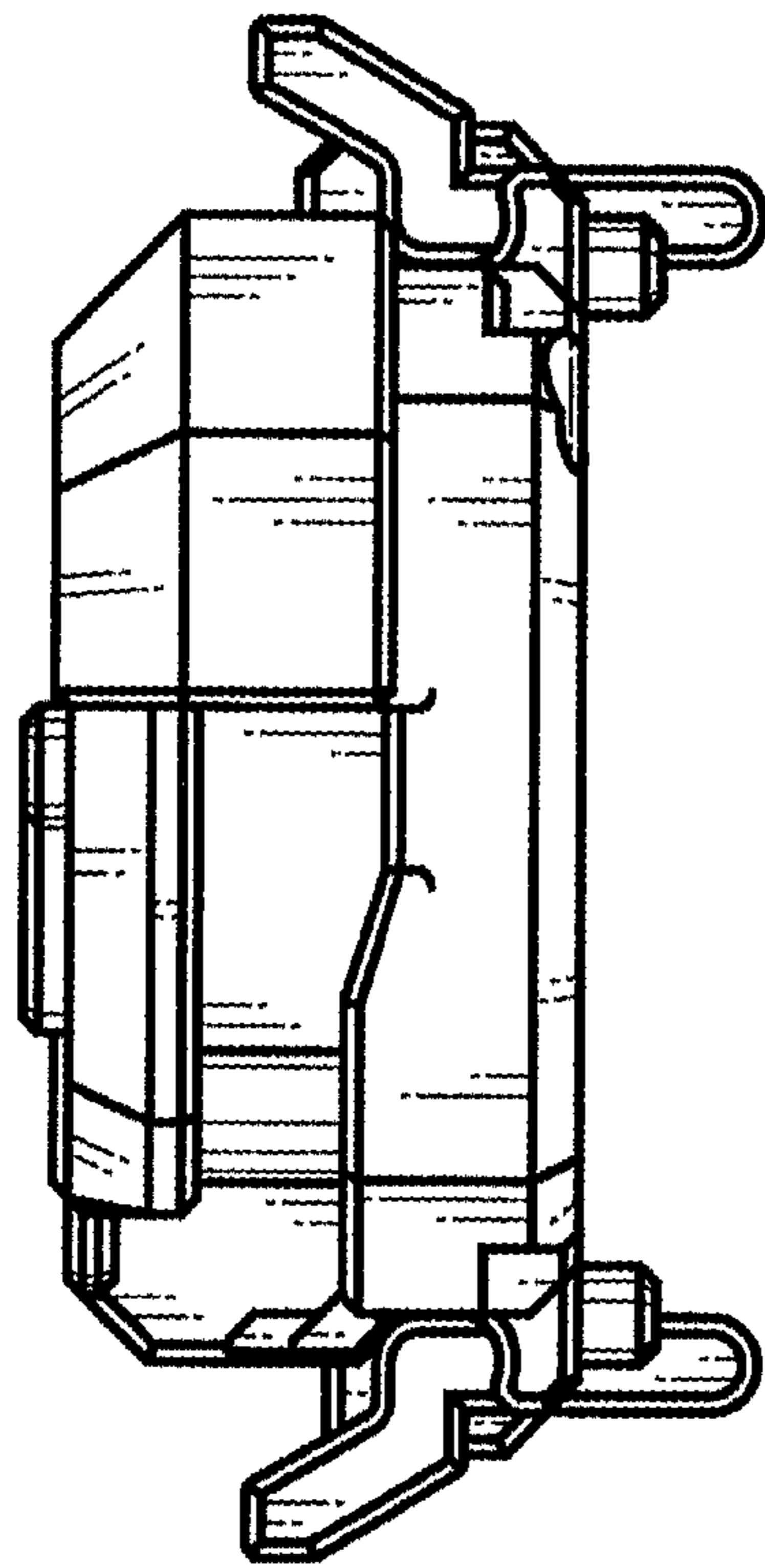


FIG. 7

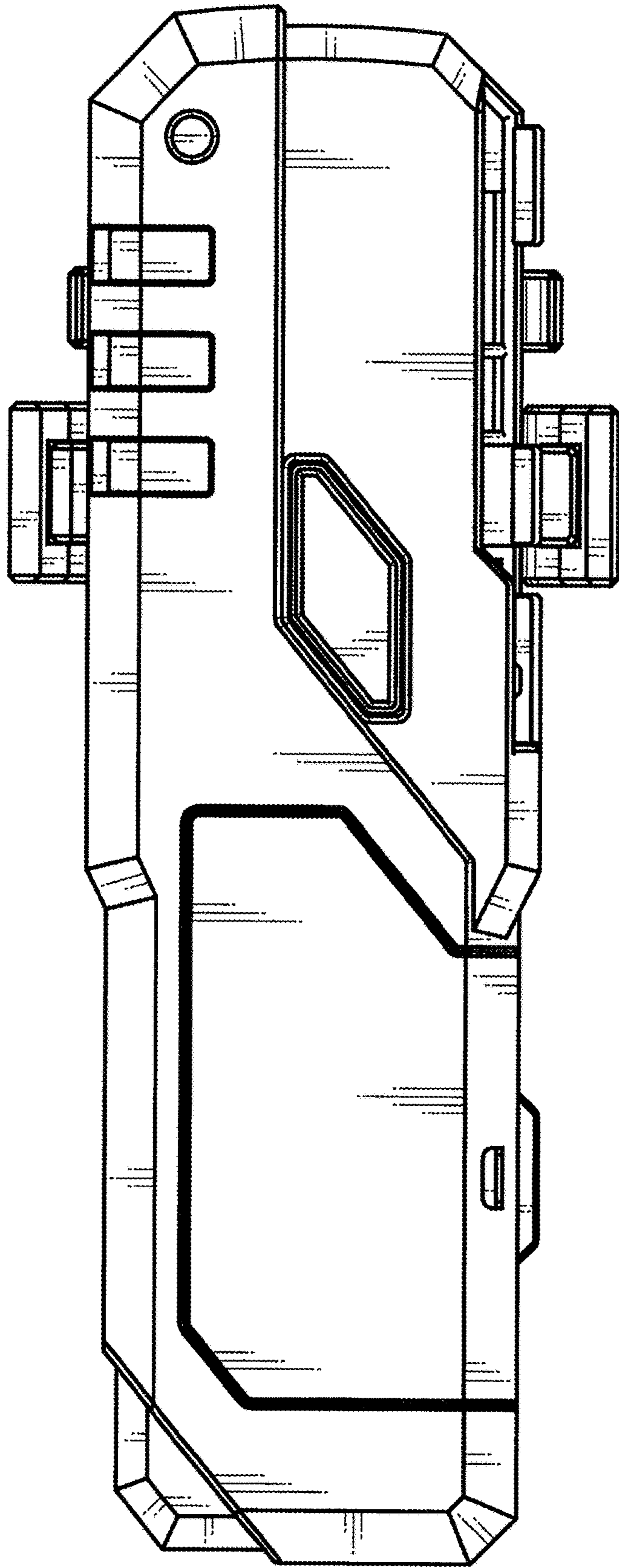


FIG. 8