



US00D816102S

(12) **United States Design Patent** (10) **Patent No.:** **US D816,102 S**  
**van Dok et al.** (45) **Date of Patent:** **\*\* \*Apr. 24, 2018**

(54) **DISPLAY PANEL OF AN ELECTRONIC NAVIGATION DEVICE WITH A COMPUTER GENERATED ICON**

1/00424; H04N 21/47217; H04N 7/17318; H04N 21/472

See application file for complete search history.

(71) Applicant: **TomTom International B.V.**,  
Amsterdam (NL)

(56) **References Cited**

U.S. PATENT DOCUMENTS

(72) Inventors: **Cornelis Klaas van Dok**, Kudelstaart (NL); **Sijtse Thomas Goverts**, Haarlem (NL)

D392,268	S	*	3/1998	Mason	.....	D14/491
D435,561	S	*	12/2000	Pettigrew	.....	D14/487
D491,955	S	*	6/2004	Ording	.....	D14/487
D558,220	S	*	12/2007	Maitlen	.....	D14/487
8,266,546	B2	*	9/2012	Candrian	.....	G06Q 30/0621 715/815

(73) Assignee: **TomTom International B.V.**,  
Amsterdam (NL)

(Continued)

(\* ) Notice: This patent is subject to a terminal disclaimer.

OTHER PUBLICATIONS

Bakker, M. "New visual identity of the TomTom user interface". Slideshare [online].TomTom.[Posted May 22,2013]. [Retrieved from the Internet on Aug. 1, 2015]. Found at: <tp://www.slideshare.net/MarcoBakker3/tomtom-user-interface-new-visual-identity>.\*

(\*\*) Term: **14 Years**

(Continued)

(21) Appl. No.: **29/470,007**

*Primary Examiner* — Cathron Brooks

(22) Filed: **Oct. 16, 2013**

*Assistant Examiner* — Ian Whitmore

(51) **LOC (11) Cl.** ..... **14-04**

(57) **CLAIM**

(52) **U.S. Cl.**  
USPC ..... **D14/486**; D14/491

The ornamental design for a display panel of an electronic navigation device with a computer generated icon, as shown and described.

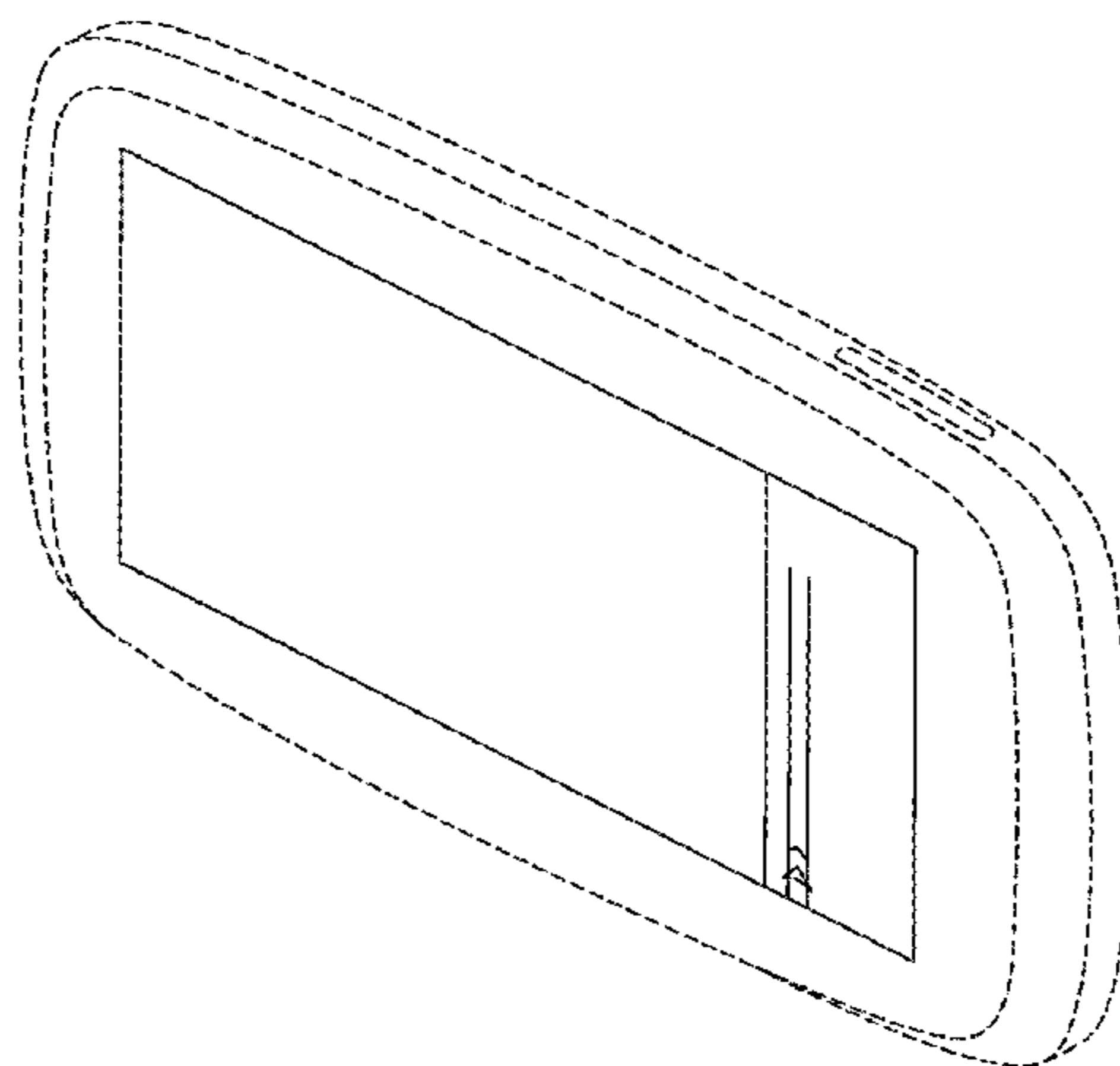
(58) **Field of Classification Search**  
USPC ..... D14/485–495; D20/14, 23, 24, 25,  
D20/29–32, 38; D25/5, 6; D35/6;  
D18/27; D19/8

**DESCRIPTION**

CPC ... G11B 19/025; G06F 3/0484; G06F 3/0485;  
G06F 2203/04806; G06F 3/048; G06F  
17/5045; G06F 17/5086–17/5095; G06F  
11/3664; G06F 3/04817; G06F 3/0481;  
G06F 19/3406; G05B 19/418; G06T  
17/00; G06T 13/80; G06T 15/02; G06Q  
30/0251; G06Q 30/0237; A63F 2300/308;  
A63F 13/53; H04M 1/72547; H04N

FIG. 1 shows a first embodiment of the design, and depicts a front view of a display panel of an electronic navigation device with a computer generated icon; the icon being on the right side of the display panel of the navigation device.  
FIG. 2 shows a second embodiment of the design, and depicts a front view of a display panel of an electronic navigation device with a computer generated icon; the icon being on the left side of the display panel of the navigation device; and,  
FIG. 3 shows a perspective view of the electronic navigation device of the first embodiment.

(Continued)



The broken lines illustrate portions of the electronic navigation device and form no part of the claimed design.

**1 Claim, 2 Drawing Sheets**

(56)

**References Cited**

U.S. PATENT DOCUMENTS

8,725,565 B1 \* 5/2014 Ryan ..... G06Q 30/0269  
705/14.4  
D706,287 S \* 6/2014 Kim ..... D14/487  
D718,776 S \* 12/2014 Hobbs ..... D14/486  
D740,835 S \* 10/2015 Song ..... D14/485  
D746,852 S \* 1/2016 Zhou ..... D14/487  
D753,724 S \* 4/2016 Clement ..... D14/491  
D773,496 S \* 12/2016 Lam ..... G06F 17/30126  
D14/486  
D774,061 S \* 12/2016 Wu ..... D14/486  
D776,127 S \* 1/2017 Kim ..... D14/485  
D780,197 S \* 2/2017 Mariet ..... D14/485  
D781,874 S \* 3/2017 Dunn ..... D14/485

D783,666 S \* 4/2017 Snavely ..... D14/487  
2010/0058228 A1 \* 3/2010 Park ..... G06F 3/04847  
715/786  
2012/0306879 A1 \* 12/2012 Yokoyama ..... G06F 3/0488  
345/428  
2014/0095329 A1 \* 4/2014 Liu ..... G06Q 30/0277  
705/14.73  
2014/0258922 A1 \* 9/2014 Lee ..... G06F 3/04855  
715/786  
2015/0074585 A1 \* 3/2015 Lee ..... G06F 3/0482  
715/773

OTHER PUBLICATIONS

TomTom Go 400/Go 500/Go 600 Euronics.it, by Euronics Italia, Youtube [online], published May 27, 2013, [retrieved Mar. 2, 2016], retrieved from the Internet <URL:https://www.youtube.com/watch?v=YXtvo6QvLyY>.\*  
TomTom Go Live 1000, by Brezan, Youtube [online], published Jan. 17, 2012, [retrieved Mar. 2, 2016], retrieved from the Internet <URL:https://www.youtube.com/watch?v=ABuBkaufvpk>.\*

\* cited by examiner

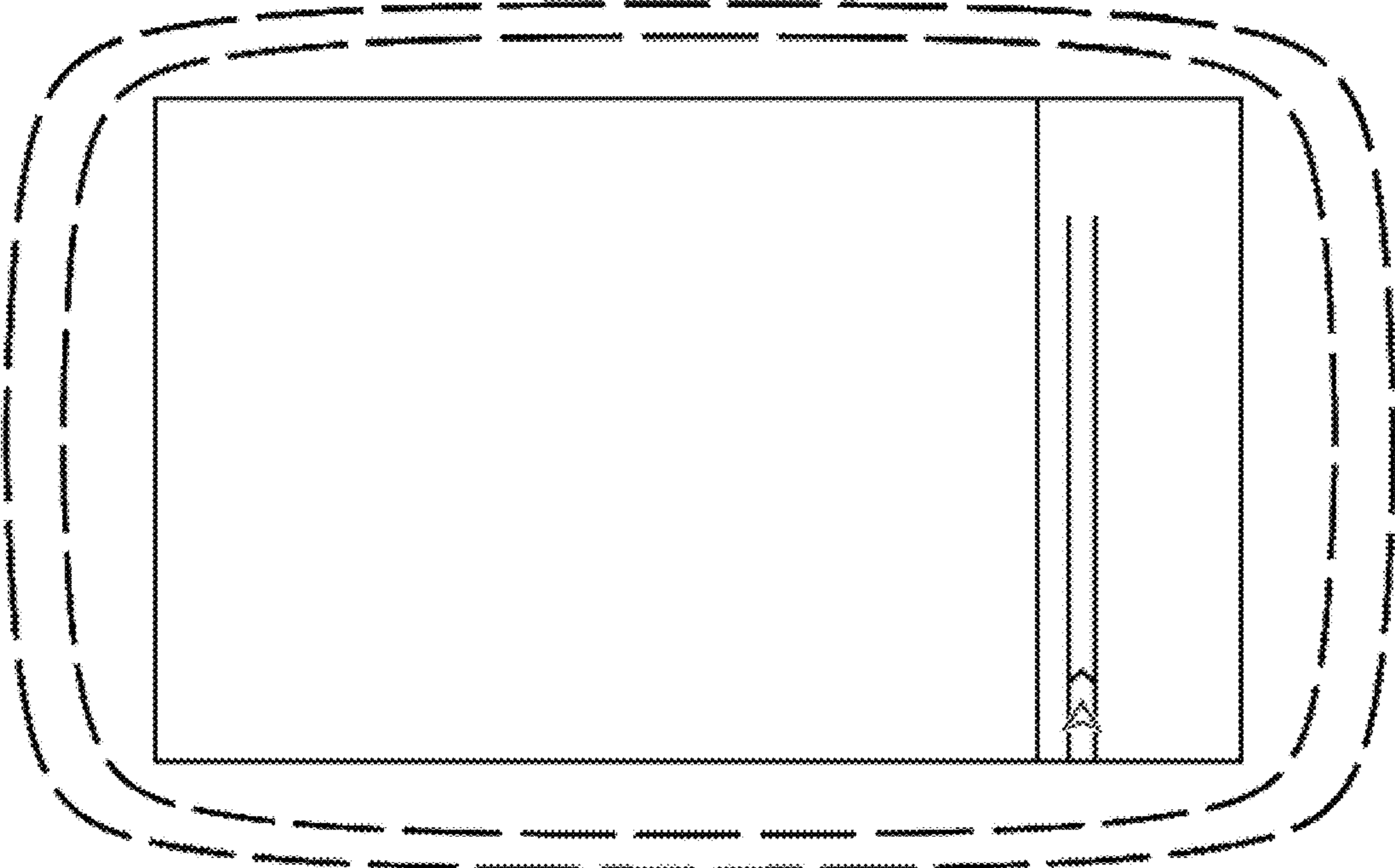


Figure 1

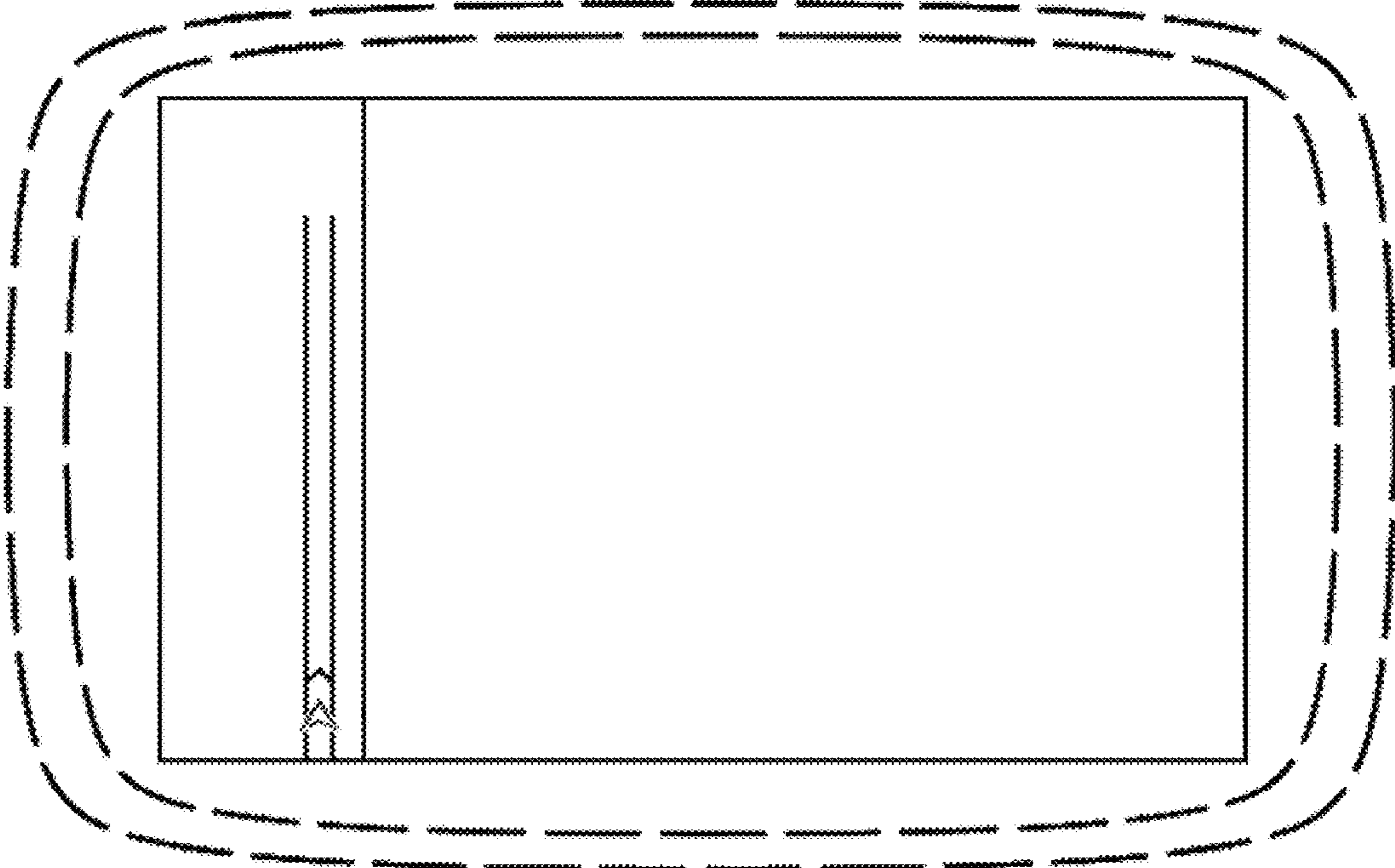


Figure 2

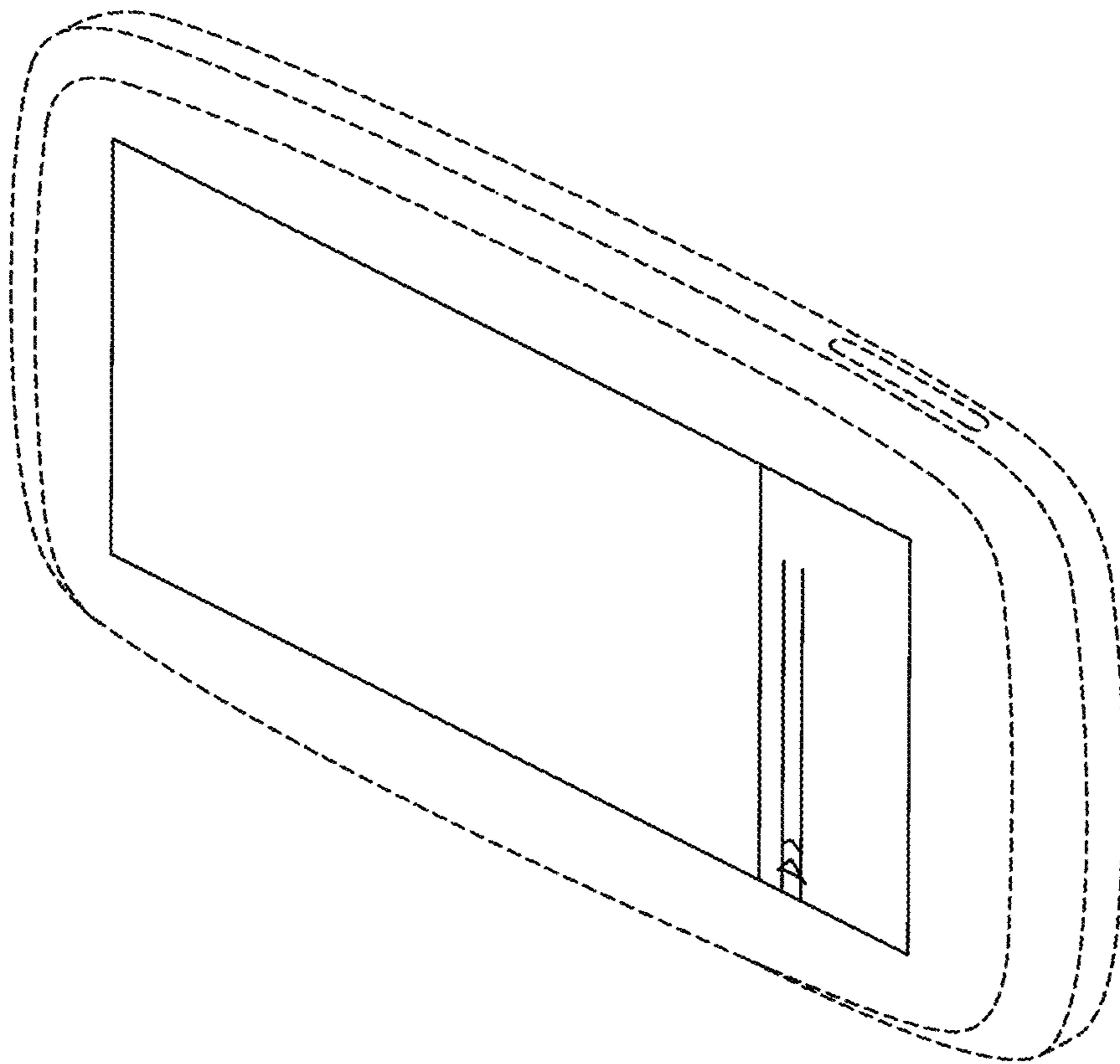


Figure 3