



US00D816088S

(12) **United States Design Patent**
Fenton et al.

(10) **Patent No.:** **US D816,088 S**

(45) **Date of Patent:** **** Apr. 24, 2018**

(54) **KEYBOARD CASE WITH EXTENSION**

(56) **References Cited**

(71) Applicant: **Fairhaven Group, Inc.**, Seattle, WA
(US)

U.S. PATENT DOCUMENTS

(72) Inventors: **Timothy John Fenton**, Mercer Island,
WA (US); **Gary Allen Ashley**, Seattle,
WA (US)

D675,210 S * 1/2013 Kim D14/439
D763,264 S * 8/2016 Smith D14/440
D767,572 S * 9/2016 Akana D14/439

(73) Assignee: **PIONEER SQUARE BRANDS, INC.**,
McLean, VA (US)

* cited by examiner

(**) Term: **15 Years**

Primary Examiner — Cynthia Underwood

(74) *Attorney, Agent, or Firm* — Grandview Law

(21) Appl. No.: **29/562,799**

(57) **CLAIM**

The ornamental design for a keyboard case with extension,
as shown and described.

(22) Filed: **Apr. 28, 2016**

DESCRIPTION

(51) **LOC (11) Cl.** **14-02**

(52) **U.S. Cl.**
USPC **D14/440**

(58) **Field of Classification Search**
USPC D14/440, 250, 447; 206/45.23, 320,
206/45.2; 361/679.55; 294/25; 224/218
CPC ... G06F 1/1628; G06F 1/1626; A47B 23/044;
H04B 1/3888

FIG. 1 is a front perspective view of a first embodiment
thereof.

FIG. 2 is a rear perspective view thereof.

FIG. 3 is a front elevational view thereof.

FIG. 4 is a rear elevational view thereof.

FIG. 5 is a top plan view thereof.

FIG. 6 is a bottom plan view thereof.

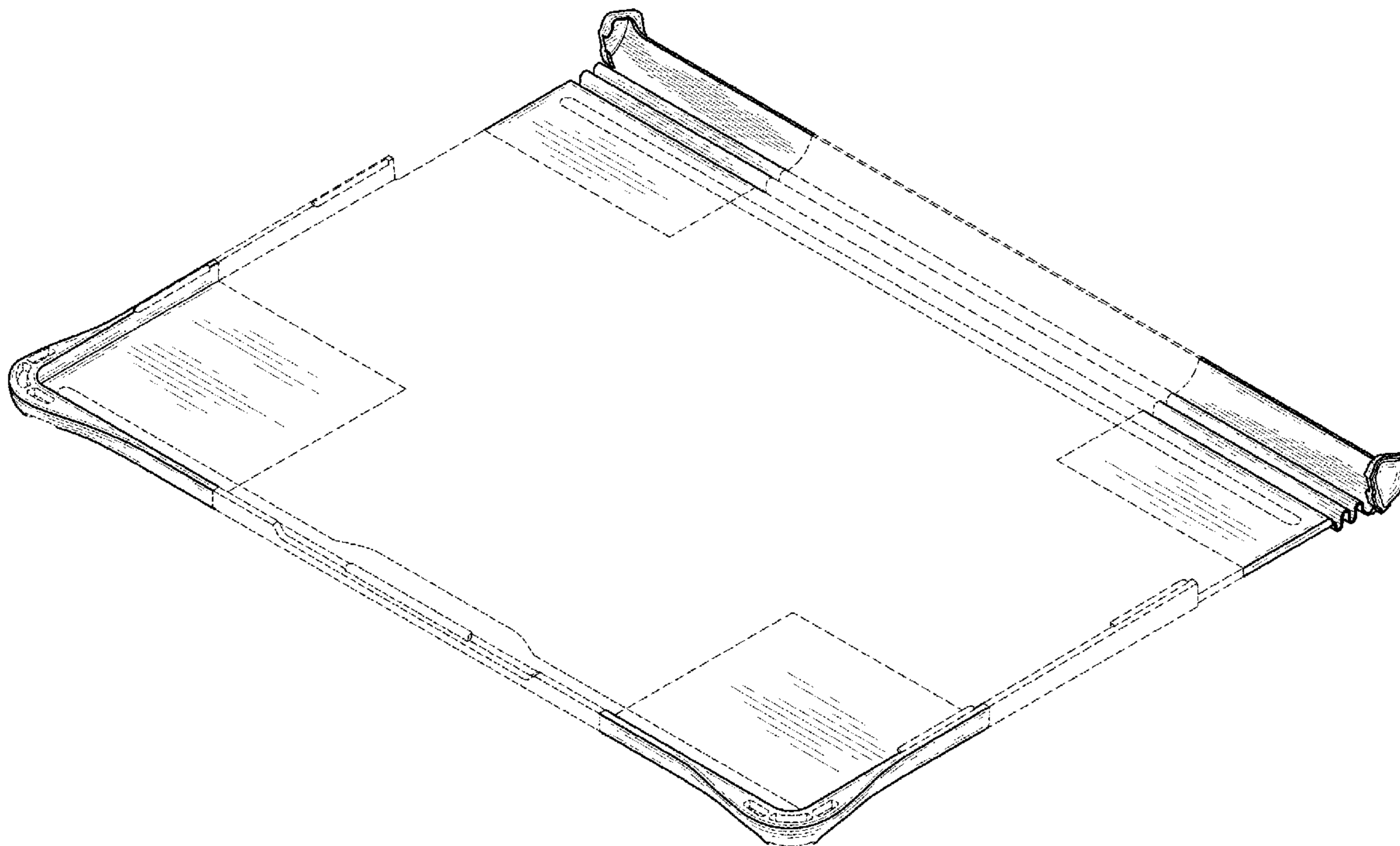
FIG. 7 is a right side elevational view thereof; and,

FIG. 8 is a left side elevational view thereof.

The features shown in broken lines in the drawing figures
depict features that form no part of the claimed design.

See application file for complete search history.

1 Claim, 6 Drawing Sheets



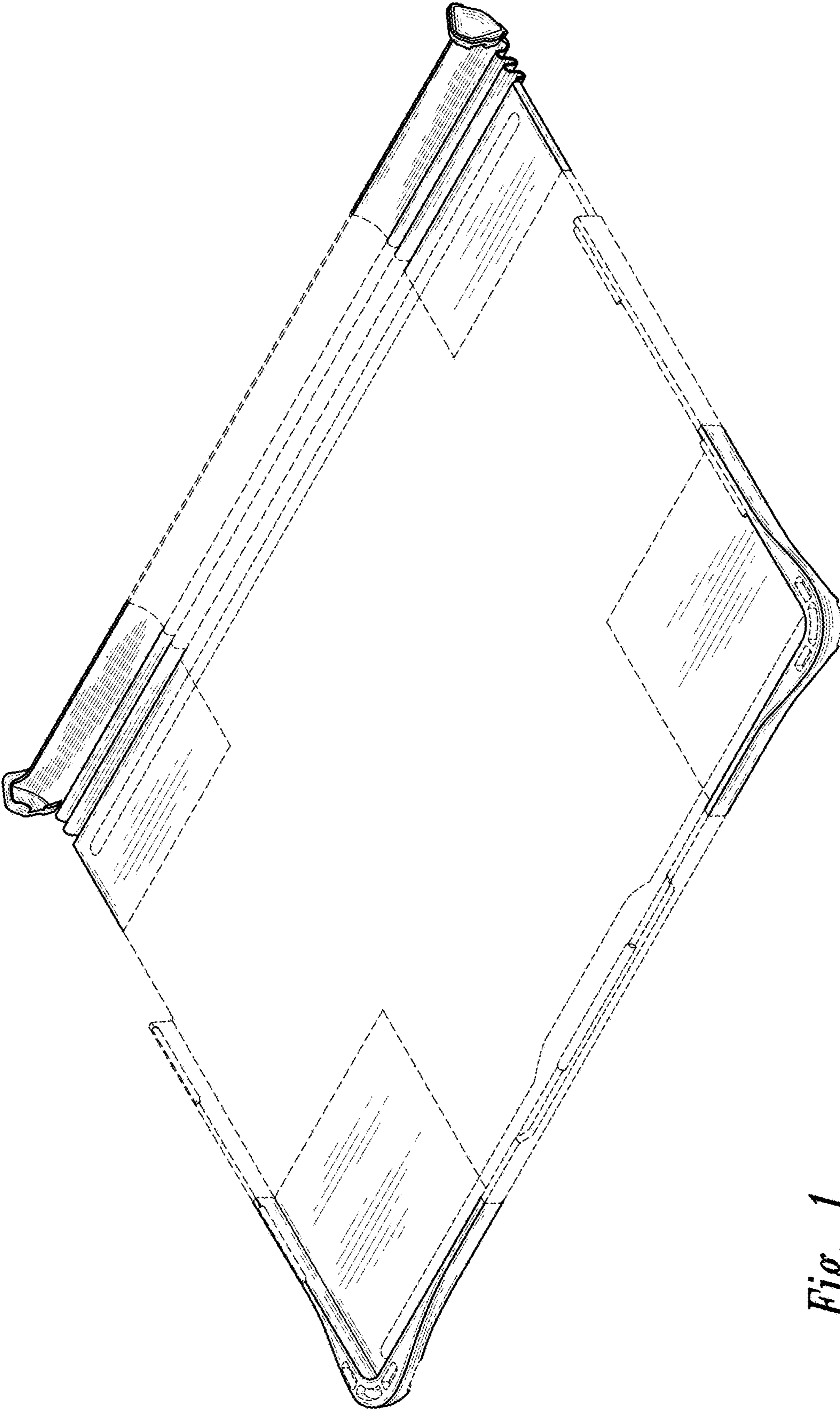


Fig. 1

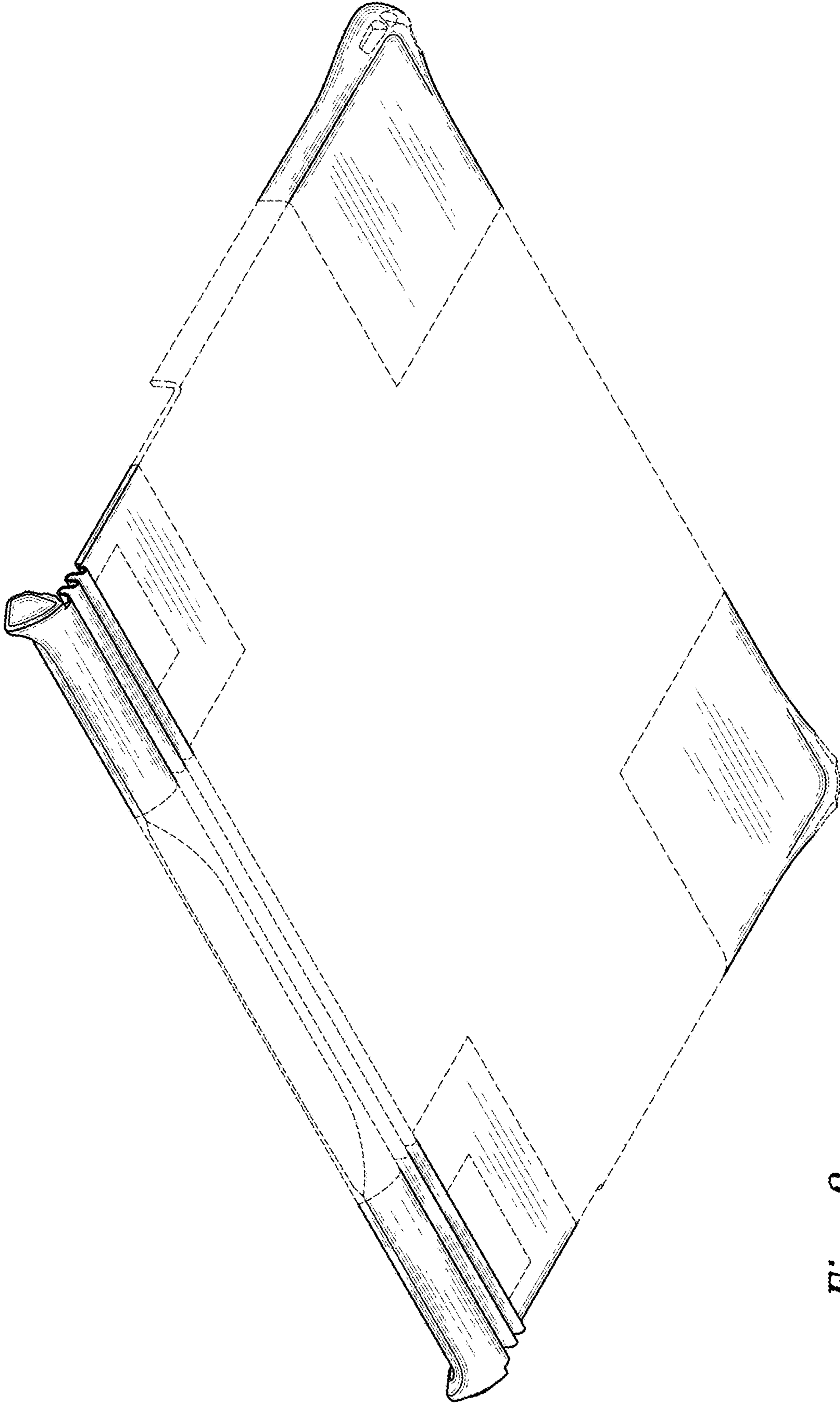


Fig. 2

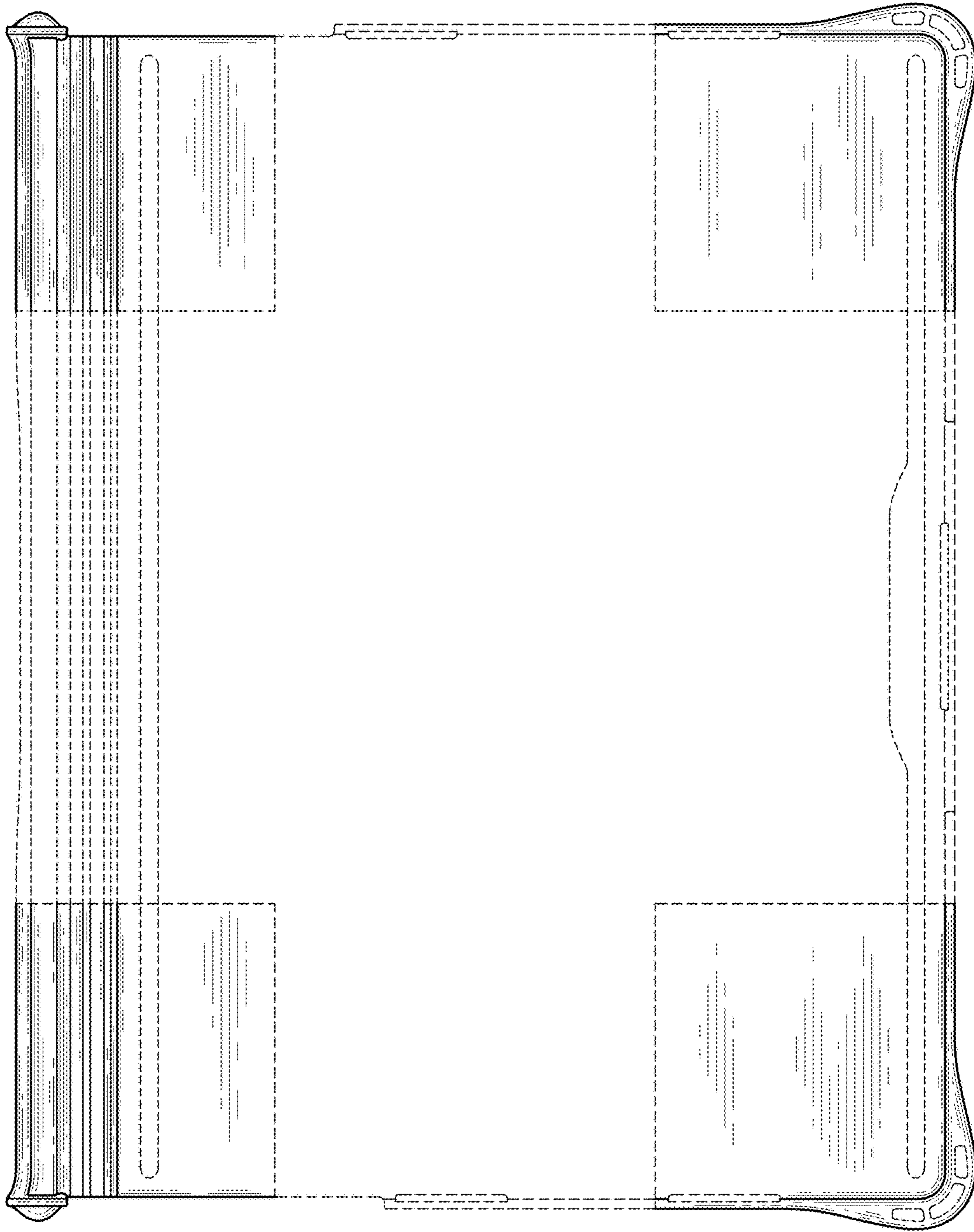


Fig. 3

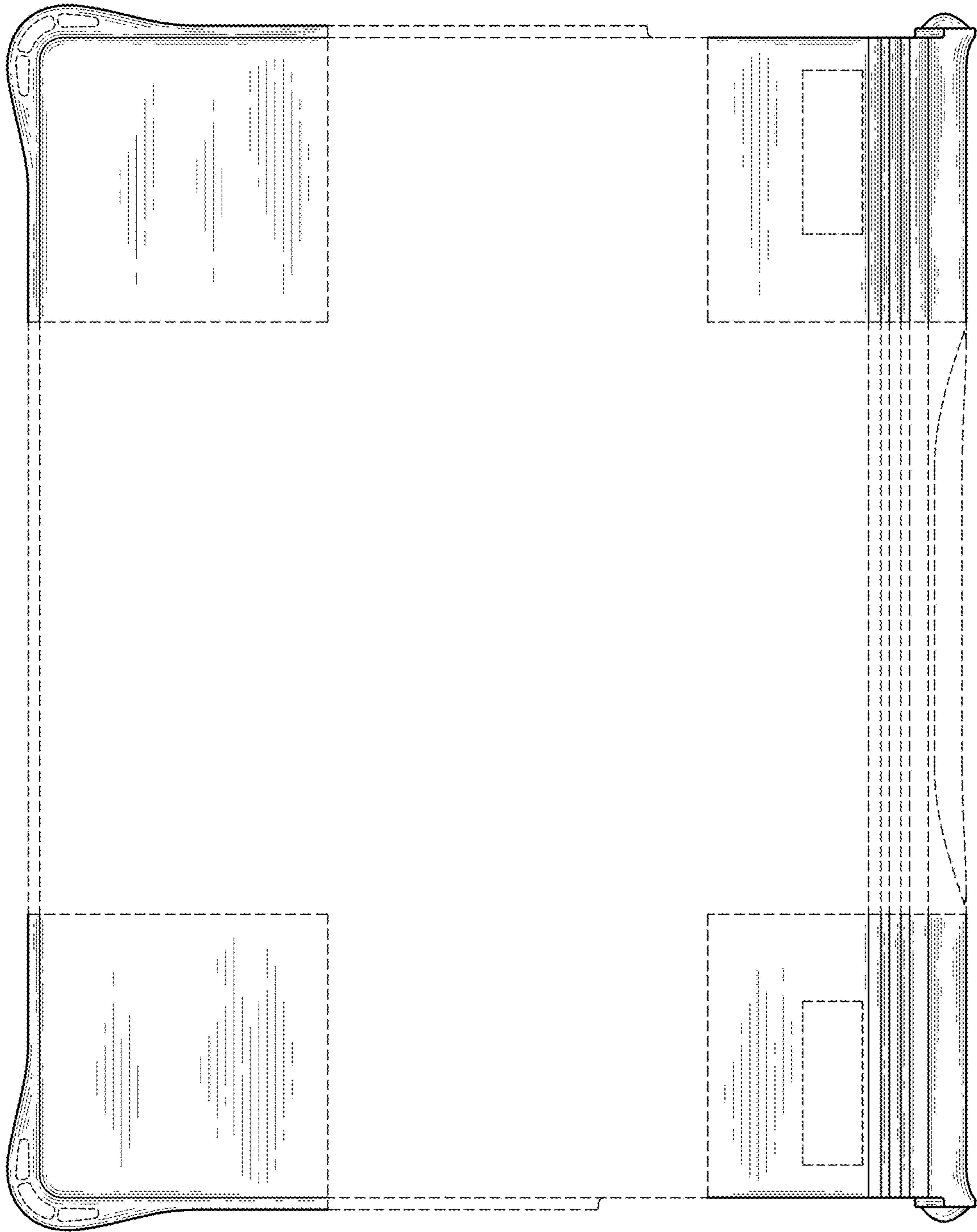


Fig. 4

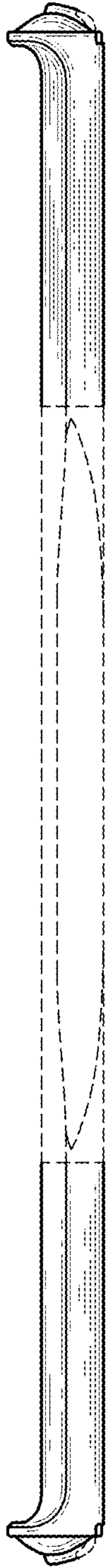


Fig. 5

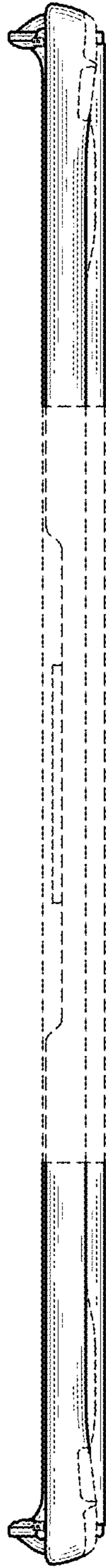


Fig. 6

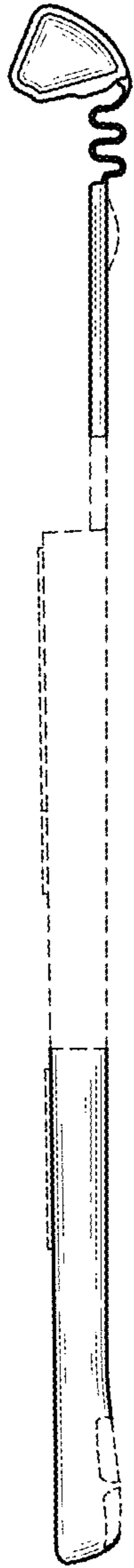


Fig. 7

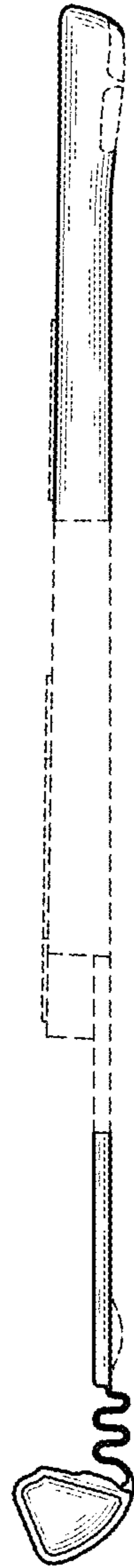


Fig. 8