



US00D816087S

(12) **United States Design Patent** (10) **Patent No.:** **US D816,087 S**  
**Fenton et al.** (45) **Date of Patent:** **\*\* Apr. 24, 2018**

(54) **TABLET CASE WITH STOWABLE MEMBER**

(56) **References Cited**

(71) Applicant: **Fairhaven Group, Inc.**, Seattle, WA (US)

U.S. PATENT DOCUMENTS

(72) Inventors: **Timothy John Fenton**, Mercer Island, WA (US); **Gary Allen Ashley**, Seattle, WA (US)

D675,210 S \* 1/2013 Kim ..... D14/439  
D763,264 S \* 8/2016 Smith ..... D14/440  
D767,572 S \* 9/2016 Akana ..... D14/439

\* cited by examiner

(73) Assignee: **PIONEER SQUARE BRANDS, INC.**, McLean, VA (US)

*Primary Examiner* — Cynthia Underwood

(74) *Attorney, Agent, or Firm* — Grandview Law

(\*\*) Term: **15 Years**

(57) **CLAIM**

The ornamental design for a tablet case with stowable member, as shown and described.

(21) Appl. No.: **29/562,798**

**DESCRIPTION**

(22) Filed: **Apr. 28, 2016**

FIG. 1 is a front perspective view of a first embodiment thereof.

(51) **LOC (11) Cl.** ..... **14-02**

FIG. 2 is a rear perspective view thereof.

(52) **U.S. Cl.**

FIG. 3 is a front elevational view thereof.

USPC ..... **D14/440**

FIG. 4 is a rear elevational view thereof.

(58) **Field of Classification Search**

USPC ..... D14/440, 250, 447; 206/45.23, 320,

FIG. 5 is a top plan view thereof.

FIG. 6 is a bottom plan view thereof.

FIG. 7 is a right side elevational view thereof; and,

FIG. 8 is a left side elevational view thereof.

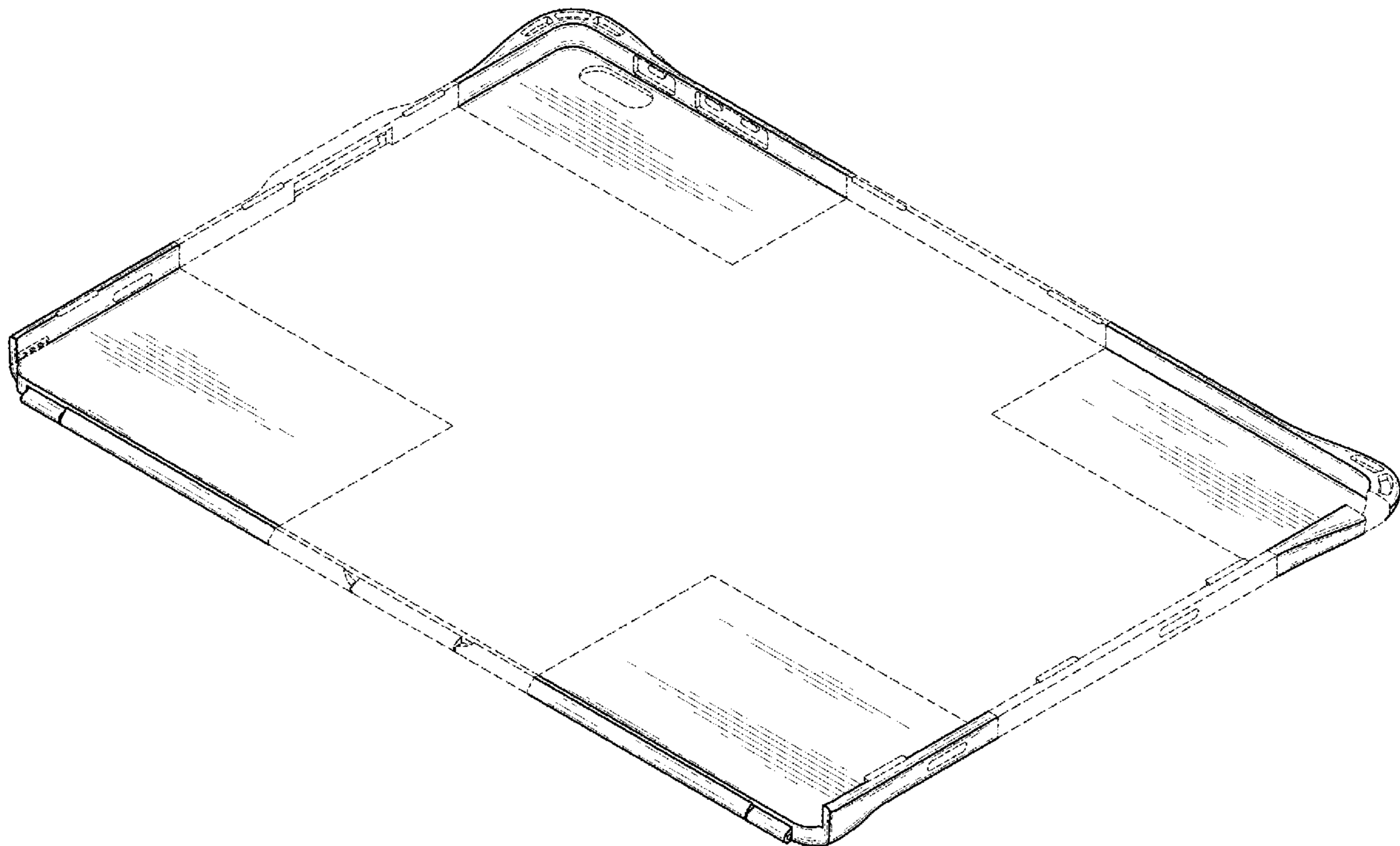
CPC ... G06F 1/1628; G06F 1/1626; A47B 23/044;

H04B 1/3888

The features shown in broken lines in the drawing figures depict features that form no part of the claimed design.

See application file for complete search history.

**1 Claim, 6 Drawing Sheets**



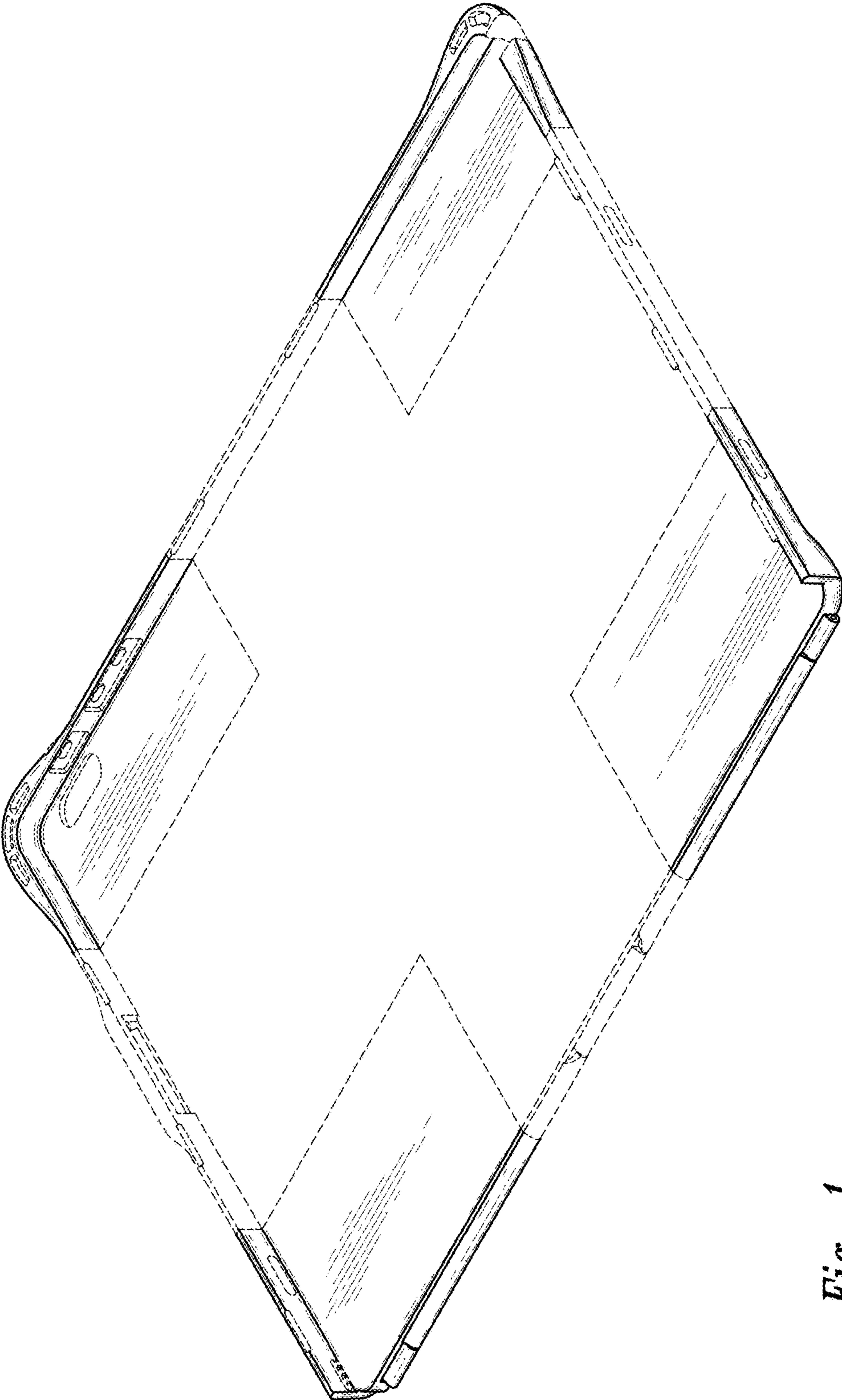


Fig. 1

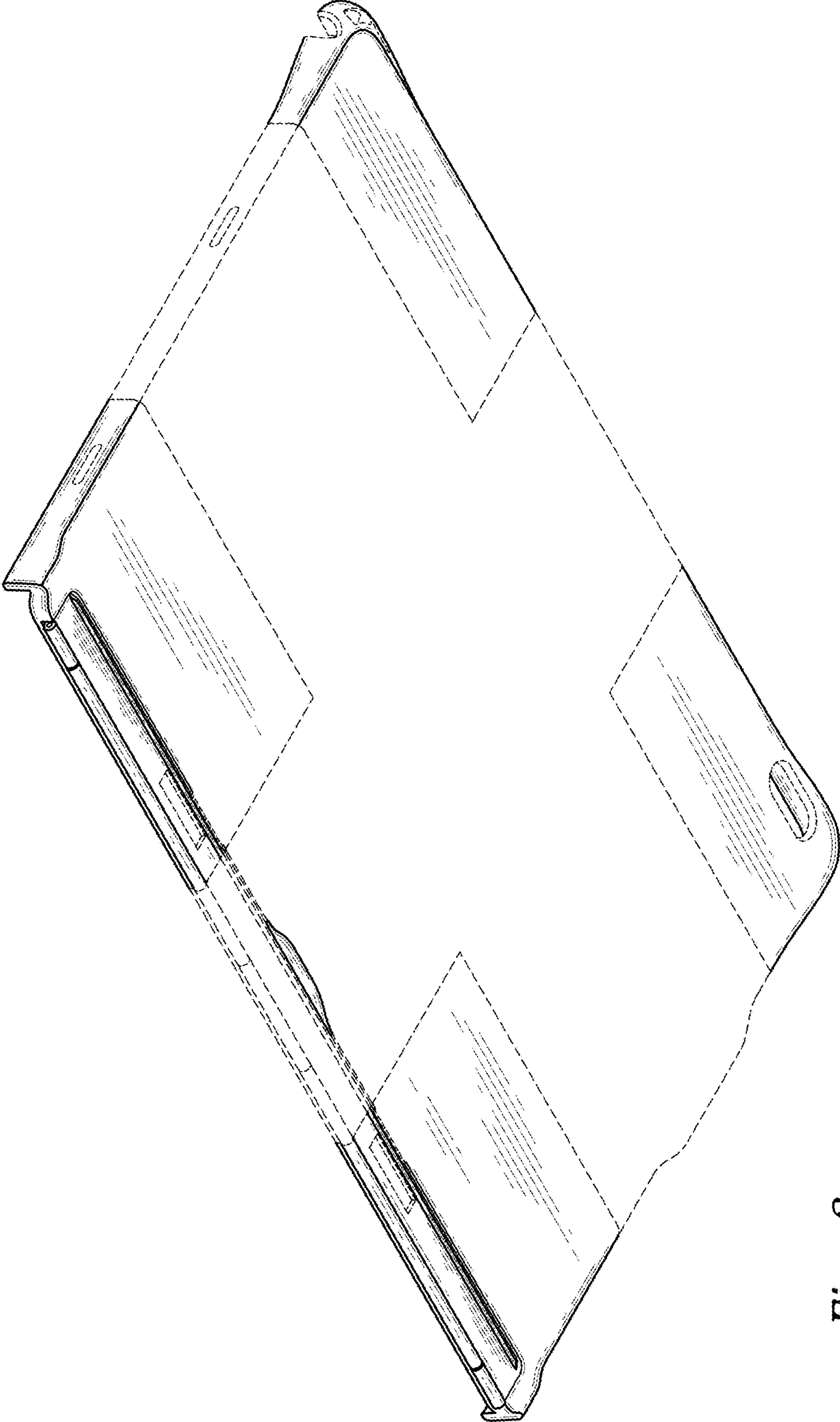


Fig. 2

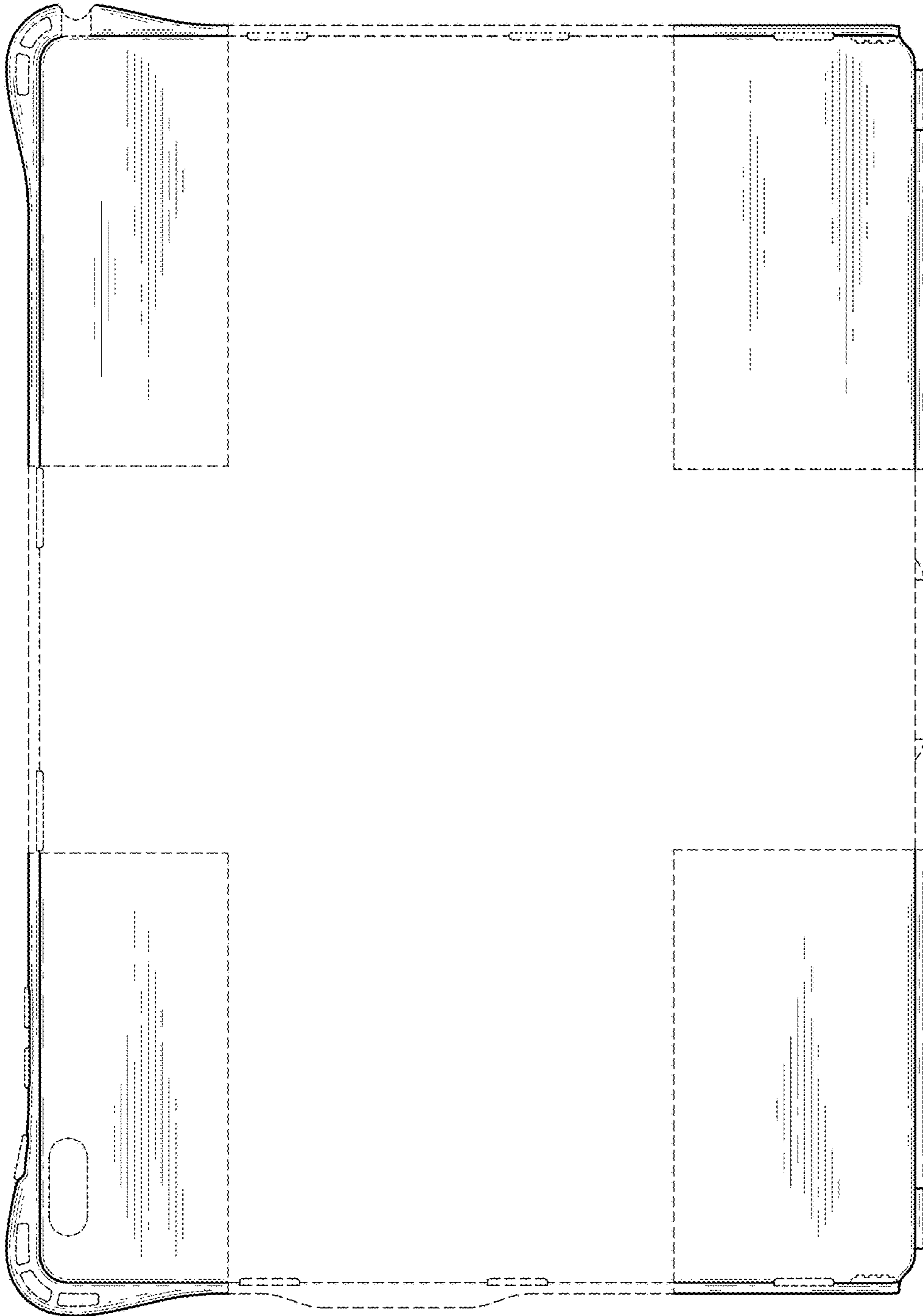
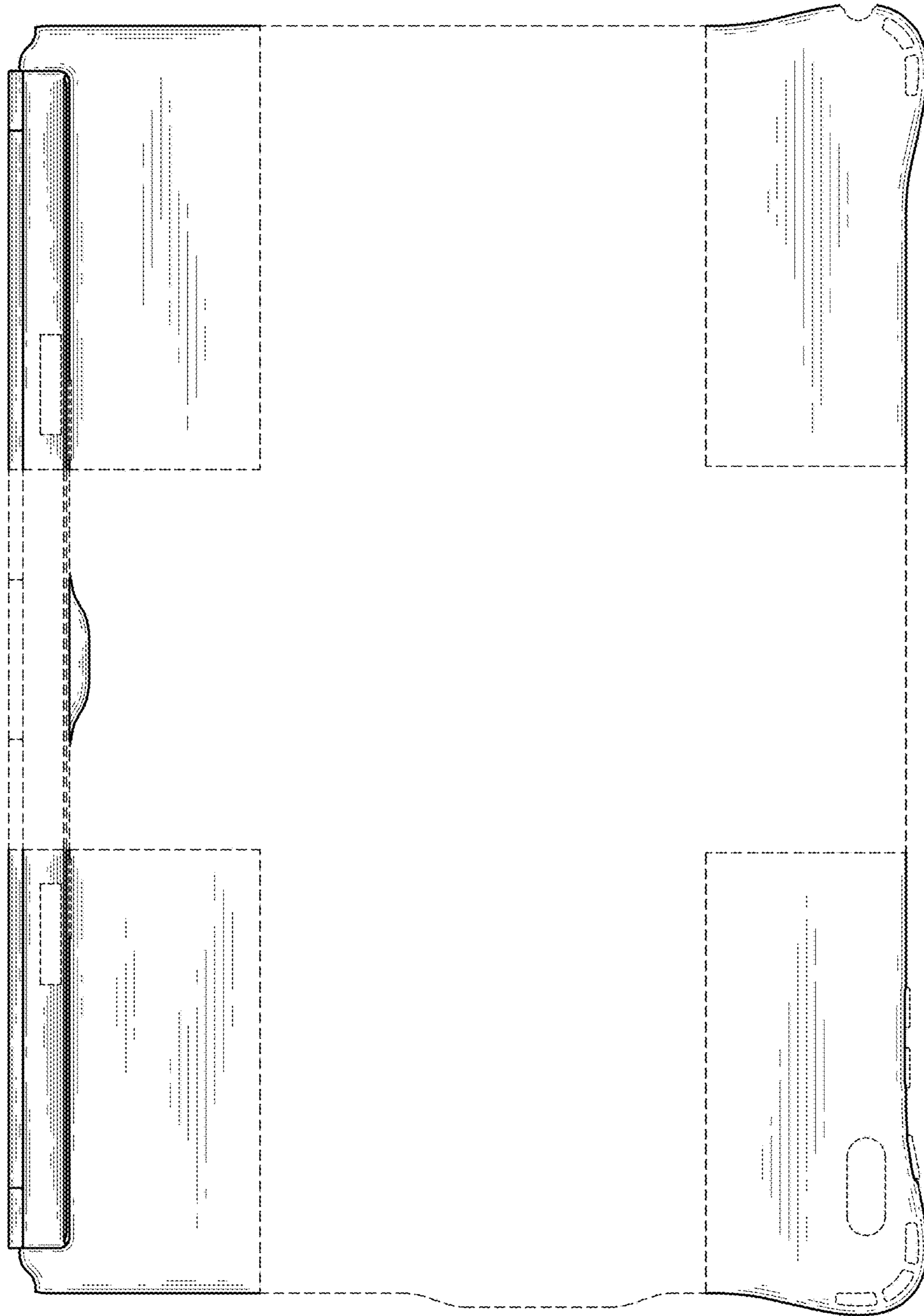
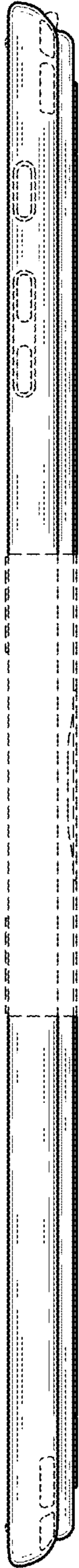


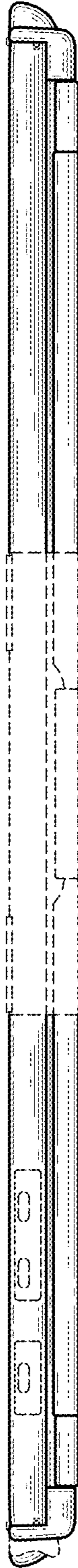
Fig. 3



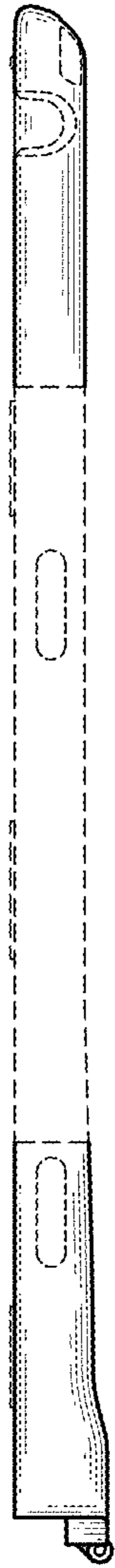
*Fig. 4*



*Fig. 5*



*Fig. 6*



*Fig. 7*



*Fig. 8*