



US00D816086S

(12) **United States Design Patent**
Chen et al.

(10) **Patent No.:** **US D816,086 S**
(45) **Date of Patent:** **** Apr. 24, 2018**

(54) **DOCKING DEVICE**

(71) Applicant: **Acer Incorporated**, New Taipei (TW)

(72) Inventors: **Chu-Yu Chen**, New Taipei (TW);
Ting-Wei Yuan, New Taipei (TW);
Chun-Chieh Chiu, New Taipei (TW)

(73) Assignee: **Acer Incorporated**, New Taipei (TW)

(**) Term: **15 Years**

(21) Appl. No.: **29/553,342**

(22) Filed: **Feb. 1, 2016**

(30) **Foreign Application Priority Data**

Aug. 7, 2015 (TW) 104304287

(51) **LOC (11) Cl.** **14-02**

(52) **U.S. Cl.**
USPC **D14/434; D14/455**

(58) **Field of Classification Search**
USPC D14/434, 440, 447, 251–253, 432, 451,
D14/452, 454, 140, 142, 149, 217, 240,
(Continued)

(56) **References Cited**

U.S. PATENT DOCUMENTS

D268,342 S * 3/1983 Genaro D14/137
4,654,818 A * 3/1987 Wetterau, Jr. G06F 1/1632
361/679.31

(Continued)

OTHER PUBLICATIONS

Acers Event Surprise the Liquid Jade Smartphone Hands-on.
[online] 5 pgs. Posted May 1, 2014 [retrieved on Jun. 3, 2017]
<http://www.tomshardware.co.uk/acer-smartphone-android-liquid-jade,news-47820.html>.*

(Continued)

Primary Examiner — Susan Bennett Hattan
Assistant Examiner — Marie D. Fast Horse
(74) *Attorney, Agent, or Firm* — JCIPRNET

(57) **CLAIM**

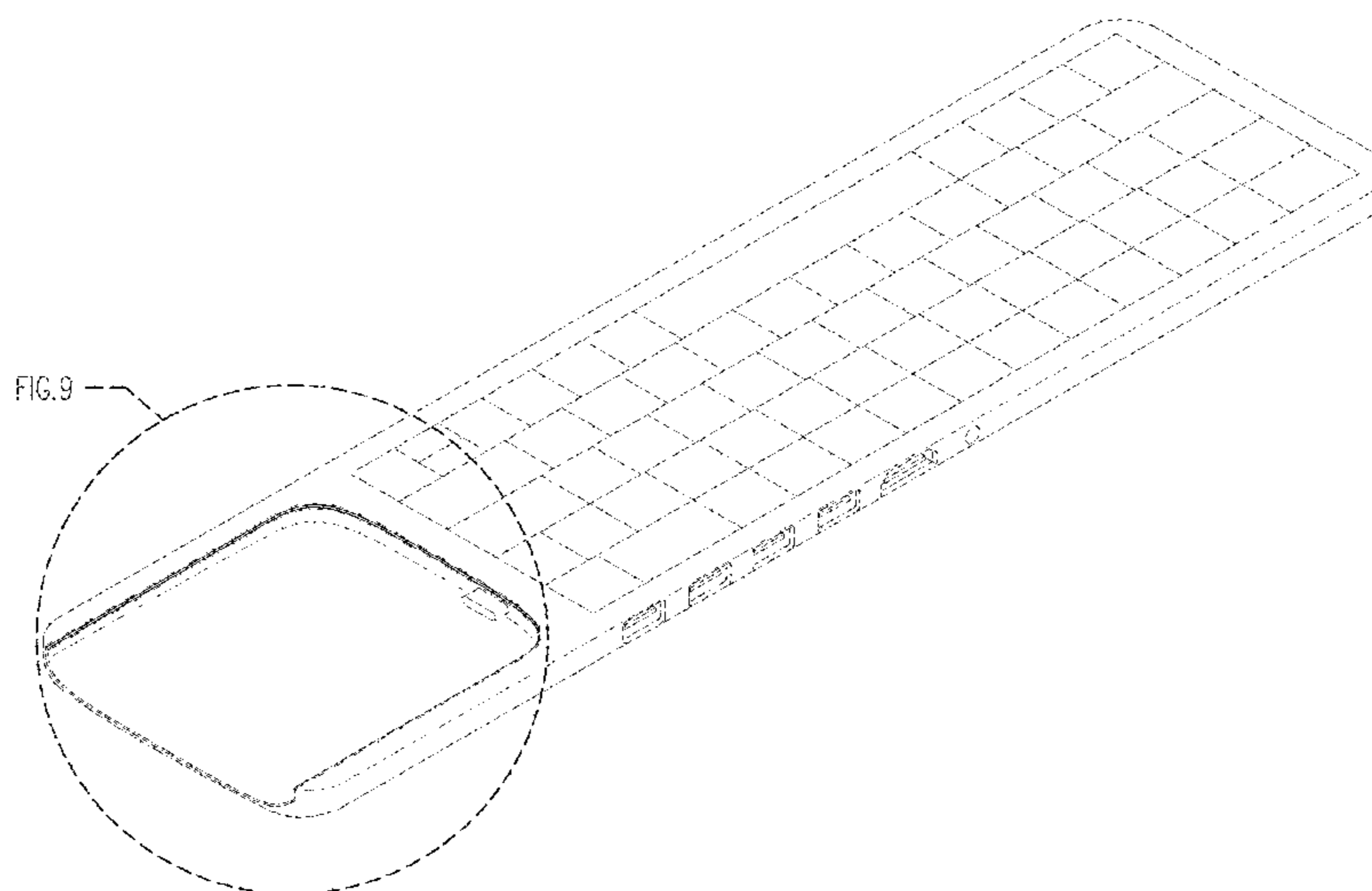
The ornamental design for a docking device, as shown and described.

DESCRIPTION

FIG. 1 is a perspective view of a docking device showing our new design;
FIG. 2 is an another perspective view thereof;
FIG. 3 is a front view thereof;
FIG. 4 is a rear view thereof;
FIG. 5 is a left side view thereof;
FIG. 6 is a right side view thereof;
FIG. 7 is a top view thereof;
FIG. 8 is a bottom view thereof;
FIG. 9 is an enlarged view of an indicated portion of FIG. 1;
FIG. 10 is an enlarged view of an indicated portion of FIG. 5;
FIG. 11 is a perspective view thereof showing in the use state, wherein a portable device is installed in the docking device; and,
FIG. 12 is an enlarged view of an indicated portion of FIG. 7.

The dot-dashed broken lines represent a boundary of the claimed design and form no part of the claimed design. The dashed lines showing the docked portable device in FIG. 11 are included for the purpose of illustrating unclaimed environment and form no part of the claimed design. The large thick dashes seen in FIGS. 1, 5, 7, 9, 10, and 12 encircling and referencing the enlargements form no part of the claim, while the remaining small dashed broken lines depict portions of the docking device that form no part of the claimed design.

1 Claim, 10 Drawing Sheets



(58) **Field of Classification Search**

USPC D14/299, 496, 356, 358, 391-394;
 D13/103, 107, 108, 118, 119, 184;
 D3/201, 215, 218
 CPC G06F 1/1616; G06F 1/1626; G06F 1/1632;
 G06F 1/1624; G06F 1/1669; G06F
 3/0231; G06F 3/021; G06F 3/0227;
 H01M 10/44; F16M 11/00; F16M 11/10;
 F16M 11/041; F16M 11/105; F16M
 11/2021; H02J 7/0042; H02J 7/00; H02J
 7/0027; H02J 7/0044; H02J 7/0045

See application file for complete search history.

(56) **References Cited**

U.S. PATENT DOCUMENTS

D298,230 S * 10/1988 Lay D13/107
 D319,440 S * 8/1991 Soren D14/142
 5,049,863 A * 9/1991 Oka G06F 3/0202
 345/163
 D328,591 S * 8/1992 Yokoi D13/184
 D351,470 S * 10/1994 Scherer D24/169
 D405,801 S * 2/1999 Nagele D14/253
 D422,963 S * 4/2000 Hakoda D14/392
 6,614,649 B1 * 9/2003 Wang G06F 3/0221
 341/22
 D492,293 S * 6/2004 Kim D14/240
 D492,294 S * 6/2004 Kim A63F 13/98
 D14/240
 6,972,945 B1 * 12/2005 Kozak G06F 1/1632
 361/679.08
 D528,106 S * 9/2006 Lee D14/240
 D535,970 S * 1/2007 Beasley D14/151
 D546,839 S * 7/2007 Hyneczek D14/434
 D558,738 S * 1/2008 Andre D14/217
 D558,973 S * 1/2008 Hussaini D3/201
 D565,031 S * 3/2008 Duncan Seil D14/217
 D575,275 S * 8/2008 Andre D14/217
 D578,110 S * 10/2008 Andre D14/217
 D582,891 S * 12/2008 Khoo D14/214
 D588,144 S * 3/2009 O'Neil D14/455
 D595,264 S * 6/2009 Andre D14/217
 D598,006 S * 8/2009 Tse D14/209.1
 D598,453 S * 8/2009 Solomon D14/434
 D599,782 S * 9/2009 Tse D14/209.1
 D605,646 S * 12/2009 Chan D14/315
 D610,567 S * 2/2010 Townsend D14/149
 D626,940 S * 11/2010 Andre D14/217
 D629,404 S * 12/2010 Wu D14/434
 D633,080 S * 2/2011 Wakabayashi D14/209.1
 D638,817 S * 5/2011 Fleming D14/145
 D640,694 S * 6/2011 Matias D14/392
 D651,605 S * 1/2012 Bouaziz D14/434
 D656,930 S * 4/2012 Son D14/253
 D665,381 S * 8/2012 Akana D14/217
 D668,241 S * 10/2012 Shimizu D14/217

D671,935 S * 12/2012 Mao D14/253
 D682,840 S * 5/2013 Tsai D14/447
 D684,155 S * 6/2013 Hsu D14/374
 D687,773 S * 8/2013 Huang D13/108
 D689,496 S * 9/2013 Park D14/434
 D691,985 S * 10/2013 Andre D14/217
 D693,815 S * 11/2013 Son D14/434
 D702,664 S * 4/2014 Kim D14/217
 D702,665 S * 4/2014 Kim D14/217
 D704,632 S * 5/2014 On D13/108
 D707,625 S * 6/2014 Ibuki D13/108
 D719,097 S * 12/2014 Lum D13/139.1
 D720,333 S * 12/2014 Akana D14/217
 D720,342 S * 12/2014 Starrett D14/252
 D720,732 S * 1/2015 Chou D14/248
 D725,781 S * 3/2015 Collins D24/169
 D730,915 S * 6/2015 Lee D14/455
 D741,334 S * 10/2015 Hillenmayer D14/151
 D741,852 S * 10/2015 Kang D14/315
 D742,380 S * 11/2015 Park D14/392
 D748,193 S * 1/2016 Chung D15/122
 D752,051 S * 3/2016 Chen D14/434
 D765,077 S * 8/2016 Park D14/392
 2006/0121953 A1 * 6/2006 Park H02J 7/0044
 455/573
 2007/0222758 A1 * 9/2007 Mulcahy G06F 3/021
 345/168
 2008/0174943 A1 * 7/2008 Hirasawa et al. G06F 1/1616
 361/679.27
 2010/0238119 A1 * 9/2010 Dubrovsky G06F 1/1626
 345/169
 2011/0157804 A1 * 6/2011 Chen G06F 1/1616
 361/679.14
 2012/0057294 A1 * 3/2012 Kim H04M 1/04
 361/679.41
 2012/0149433 A1 * 6/2012 Huang H04M 1/72527
 455/557
 2013/0015310 A1 * 1/2013 Wu F16M 11/10
 248/346.06
 2014/0204520 A1 * 7/2014 Wu G06F 1/1669
 361/679.17
 2015/0002996 A1 * 1/2015 Chang G06F 1/1616
 361/679.08
 2015/0138094 A1 * 5/2015 Kim G06F 1/1632
 345/168
 2016/0274675 A1 * 9/2016 Carreon G06F 3/0231
 2016/0379776 A1 * 12/2016 Oakley H01H 13/84
 200/5 A

OTHER PUBLICATIONS

Omnio Keyboard Docks with iPhone. tested.com. [online] 4 pgs.
 Posted Nov. 8, 2010 [retrieved on Jun. 3, 2017] <http://www.tested.com/tech/accessories/1295-omnio-keyboard-docks-with-iphone-controls-your-pc/>.*

* cited by examiner

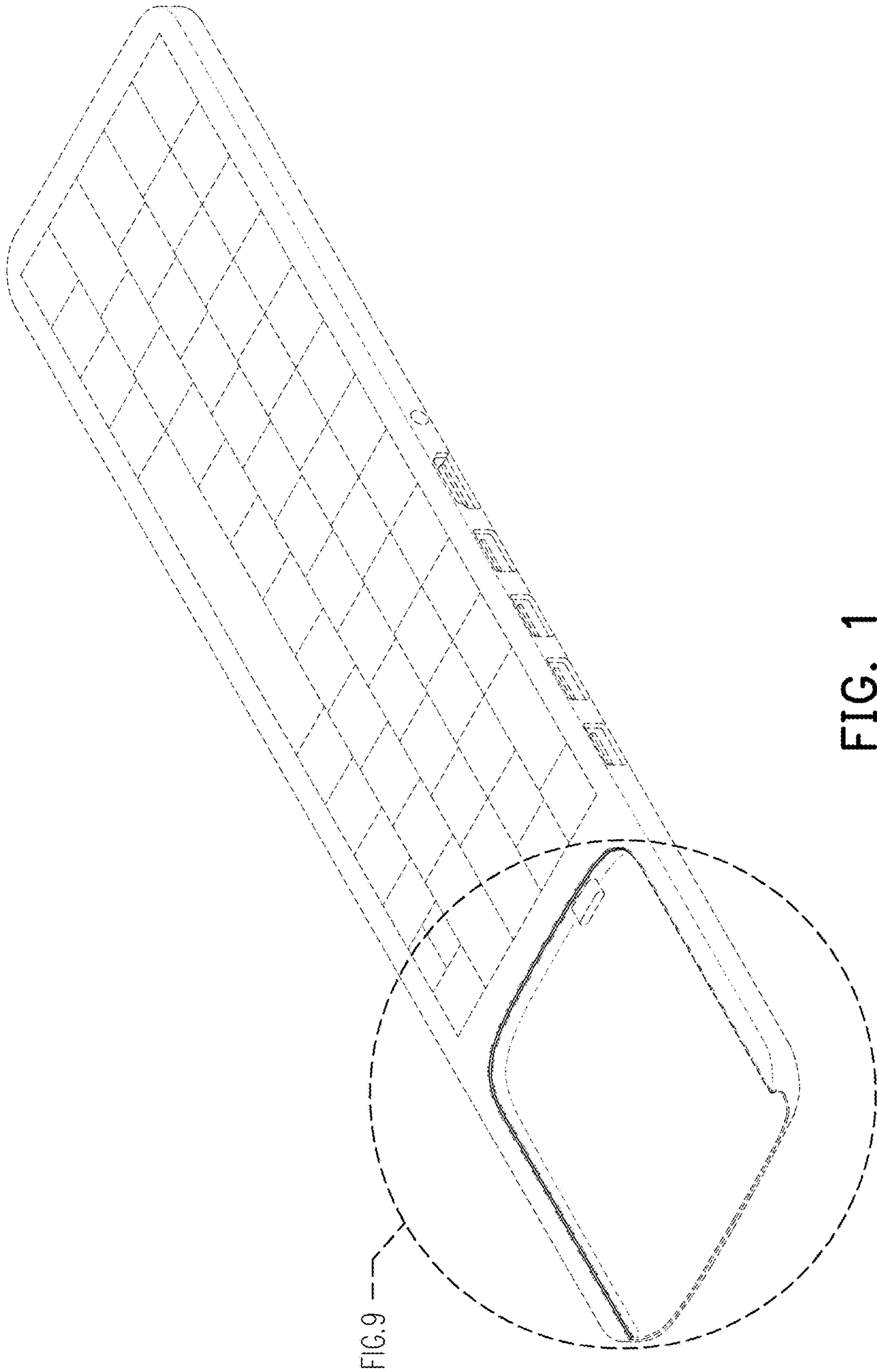


FIG. 1

FIG. 9

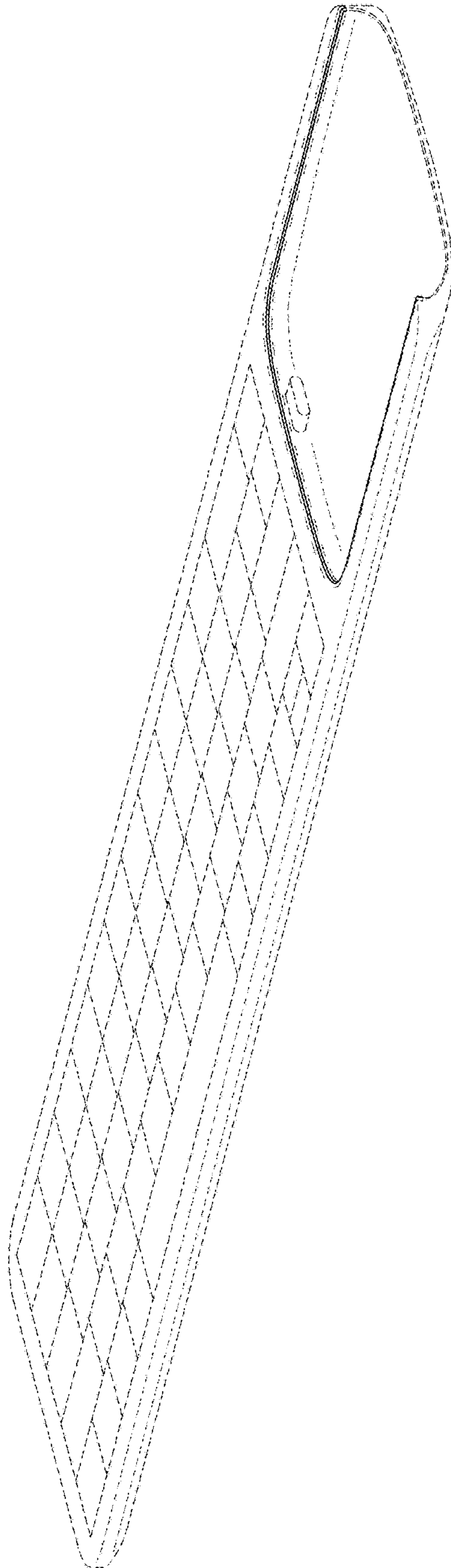


FIG. 2

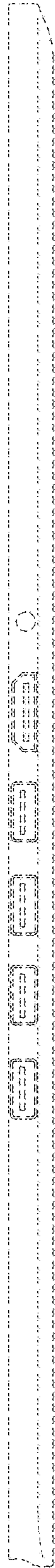


FIG. 3

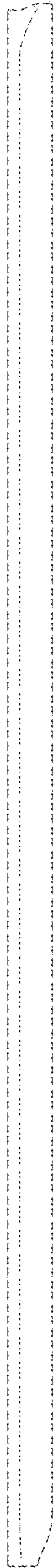


FIG. 4

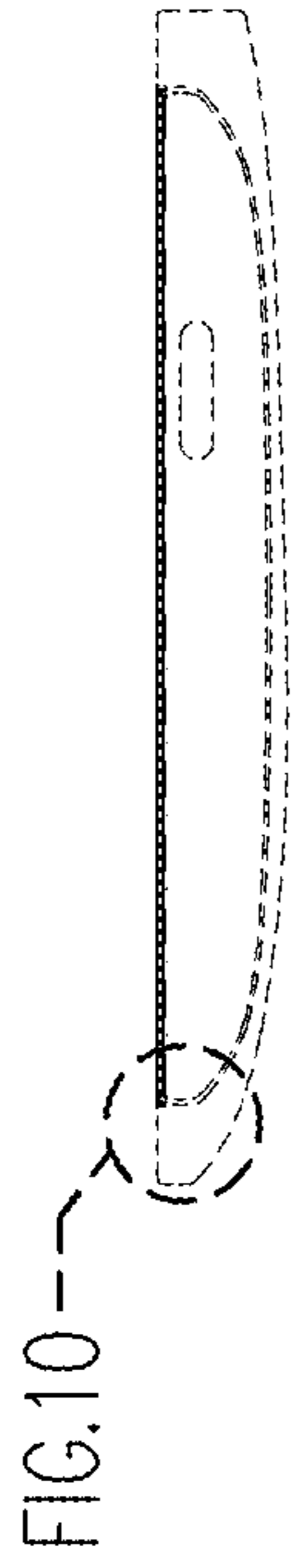


FIG. 5



FIG. 6

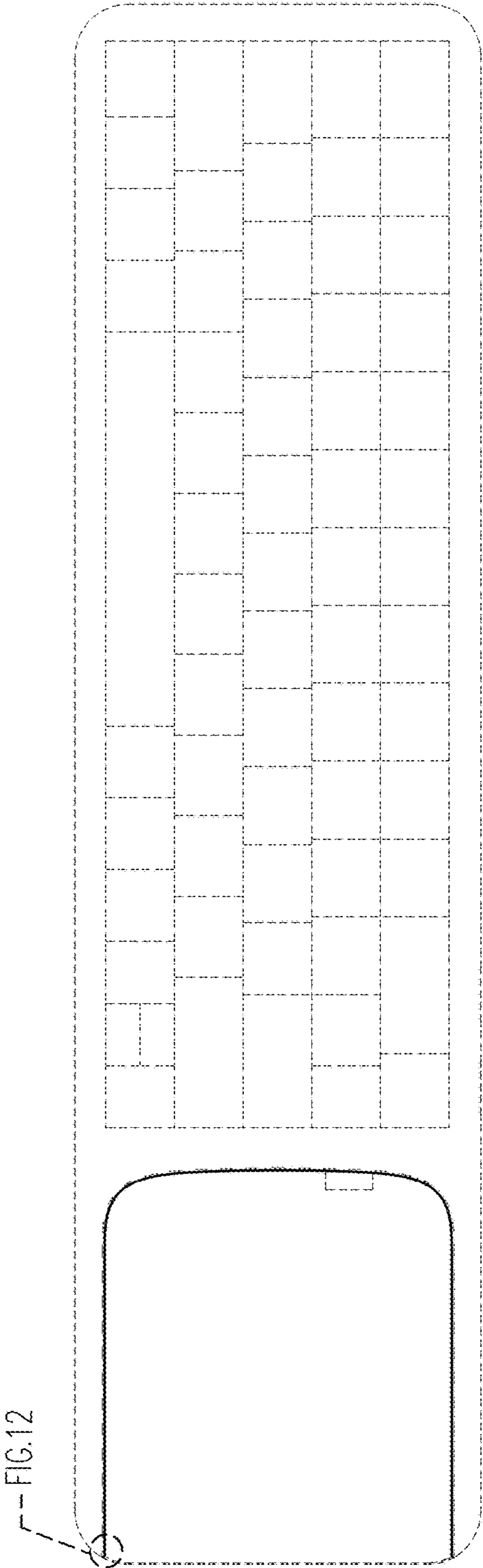


FIG. 7

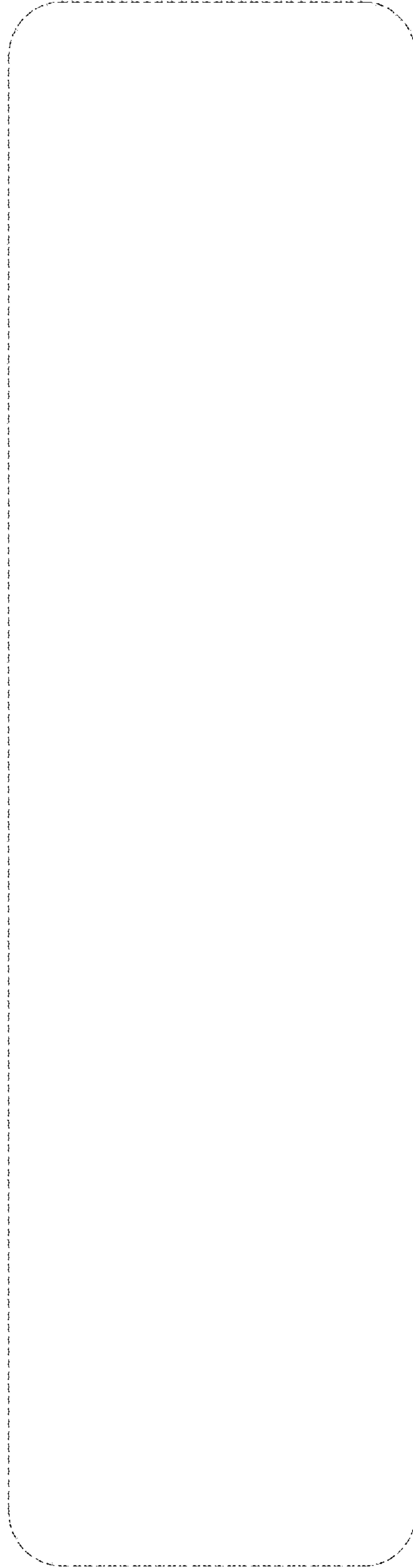


FIG. 8

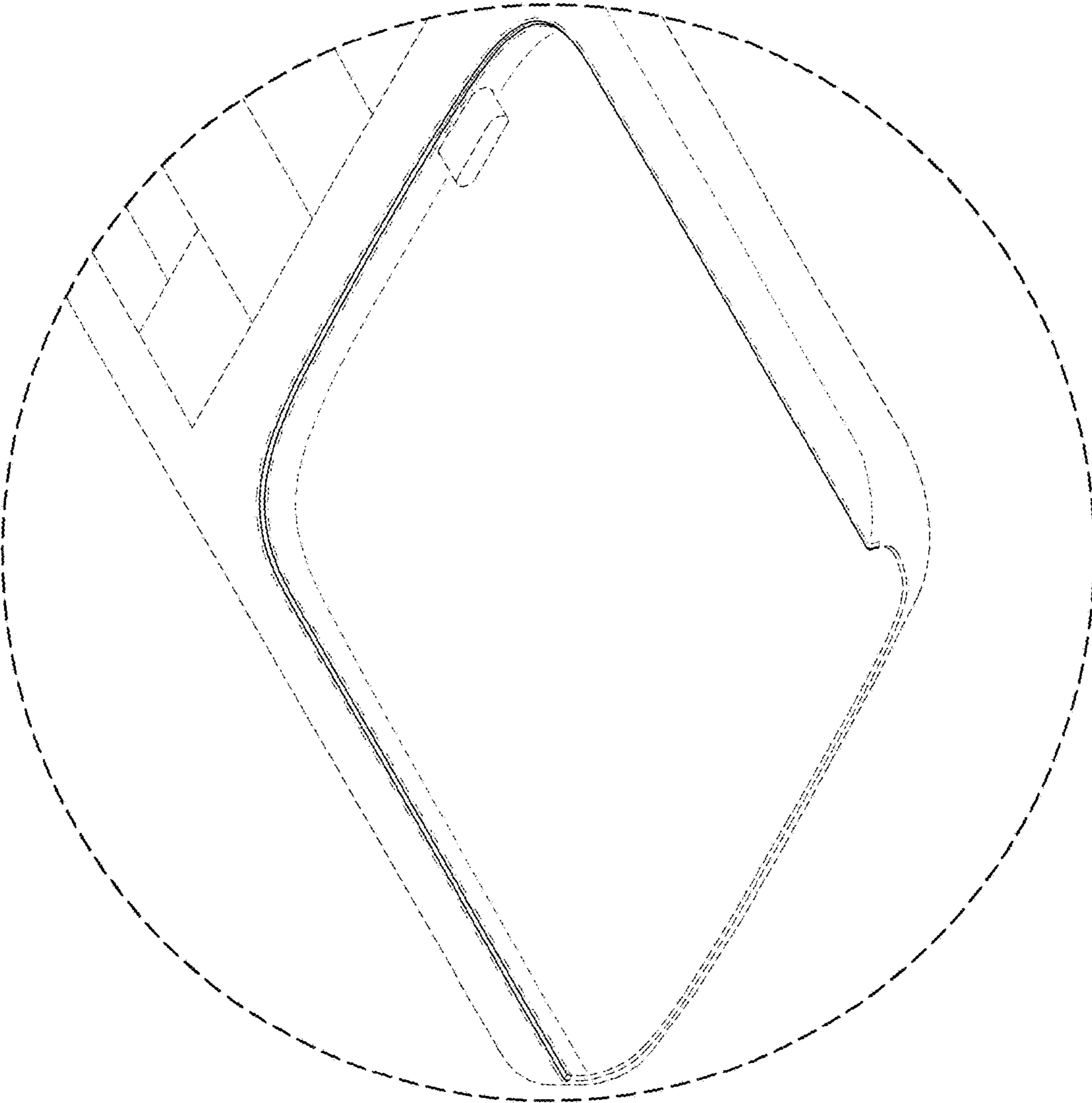


FIG. 9

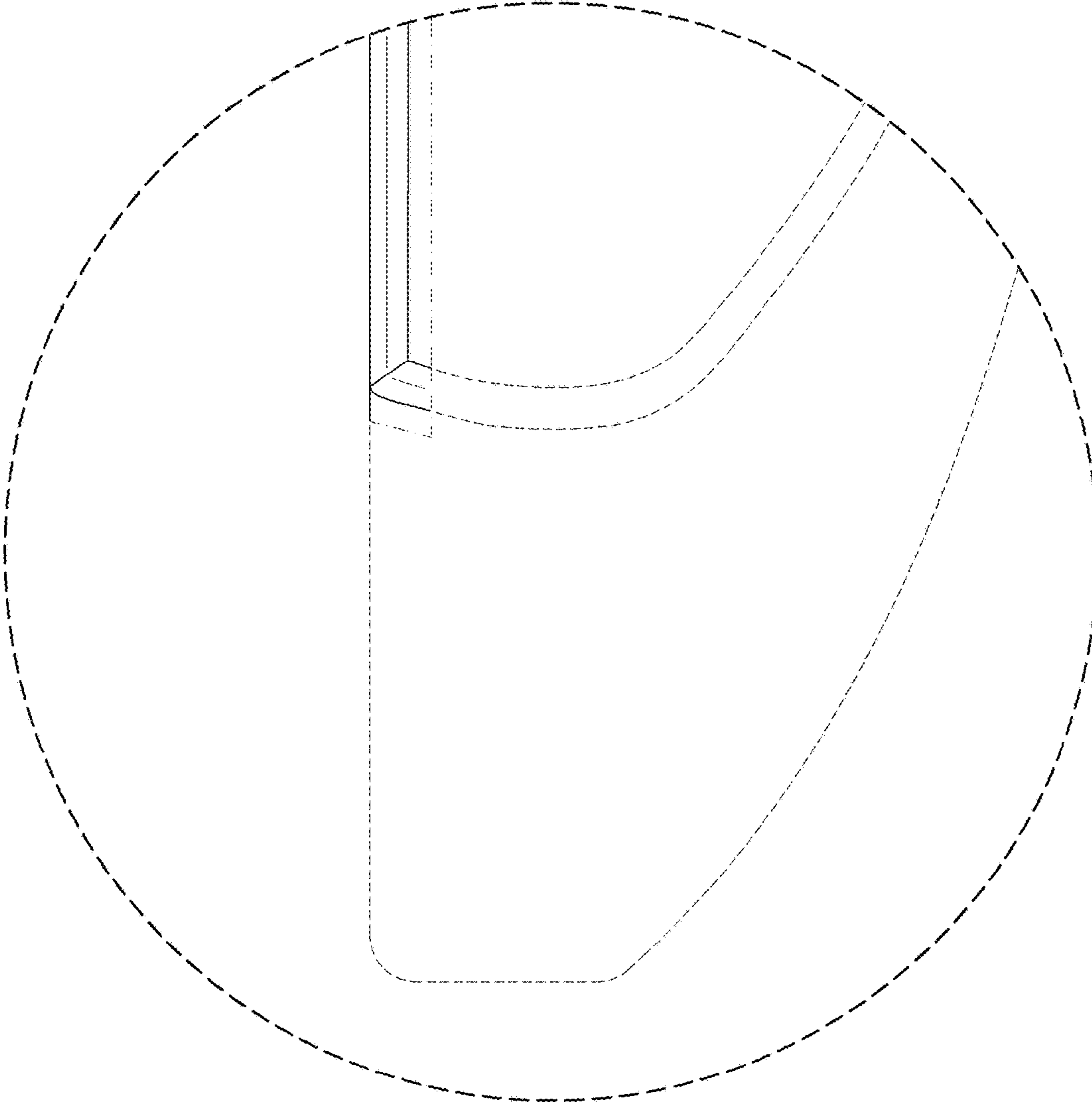


FIG. 10

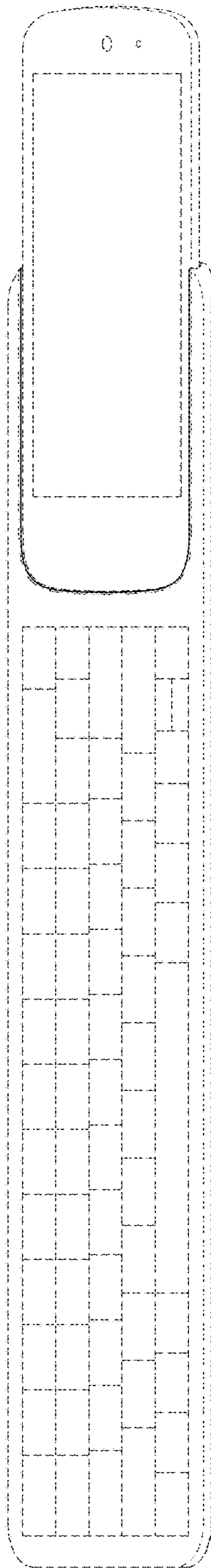


FIG. 11

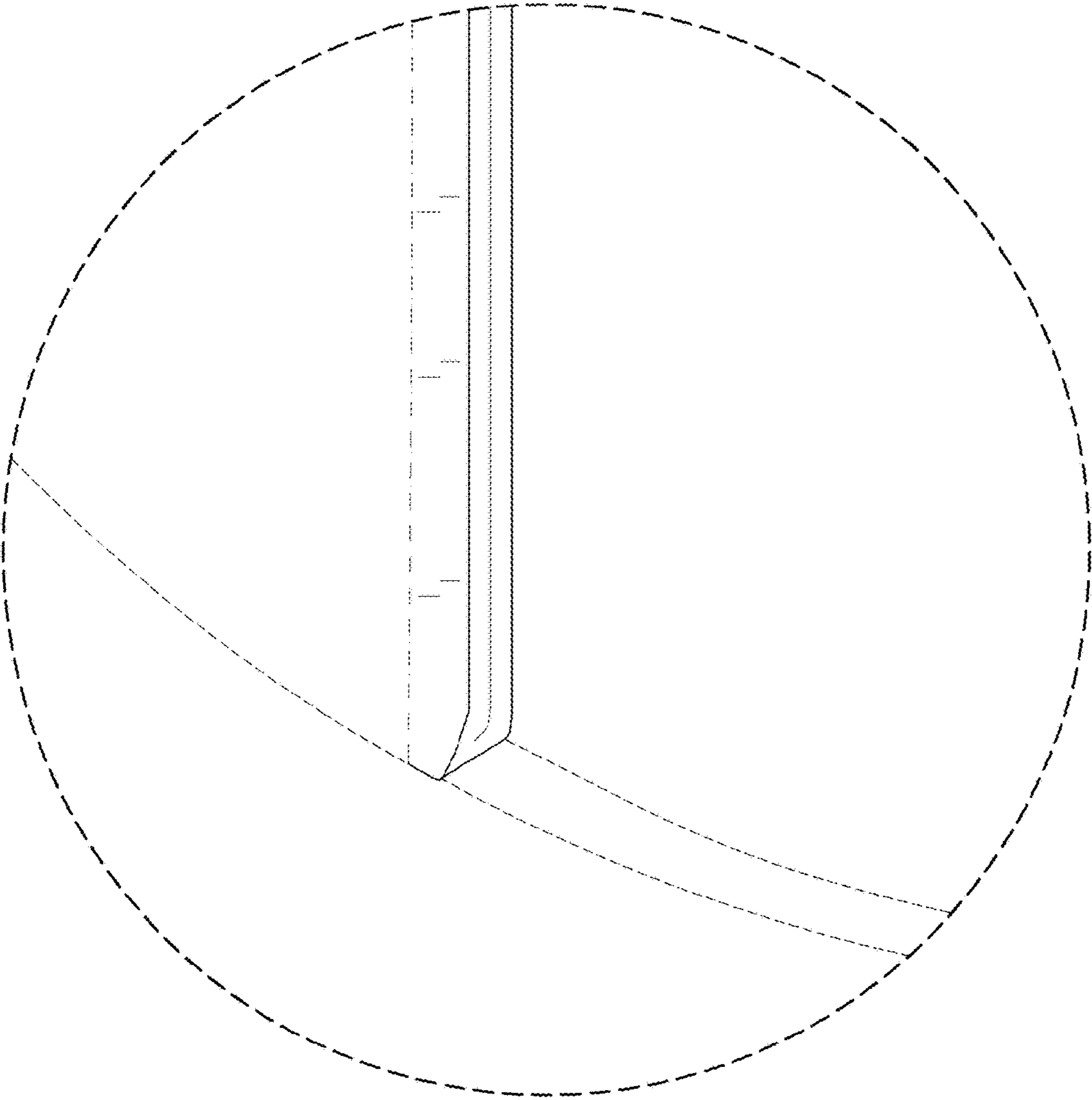


FIG. 12