



US00D816085S

(12) **United States Design Patent**  
**Ishida et al.**

(10) **Patent No.:** **US D816,085 S**  
(45) **Date of Patent:** **\*\* Apr. 24, 2018**

(54) **SCANNER**

(71) Applicant: **PFU LIMITED**, Kahoku-shi, Ishikawa (JP)

(72) Inventors: **Shoya Ishida**, Kahoku (JP); **Satoshi Kuroda**, Kahoku (JP); **Norifumi Tonami**, Kahoku (JP)

(73) Assignee: **PFU LIMITED**, Ishikawa (JP)

(\*\*) Term: **15 Years**

(21) Appl. No.: **29/601,978**

(22) Filed: **Apr. 27, 2017**

(30) **Foreign Application Priority Data**

Dec. 13, 2016 (JP) ..... 2016-026967

(51) **LOC (11) Cl.** ..... **14-02**

(52) **U.S. Cl.**  
USPC ..... **D14/421**

(58) **Field of Classification Search**

USPC ..... D14/421-425; D18/55, 49, 46, 40, D18/36-39, 41, 44, 45, 47, 48, 50-54, D18/56; 235/462, 455, 470, 462.43, 482, 235/483; 358/474, 486, 488, 496, 497, 358/498, 452, 449, 451, 453, 1.13, 471, 358/401, 377; 318/685, 696; 355/81, 75; 399/405, 367, 379, 380, 377; 382/217; 715/209, 222, 226, 274; 400/613, 400/613.1-613.4, 690.1-690.4, 691-694

CPC ..... H04N 1/00; H04N 1/12; H04N 1/00013; H04N 1/00015; H04N 1/00018; H04N 1/00026; H04N 1/00557; H04N 1/00564; H04N 1/00567; H04N 1/0057; H04N 1/00572; H04N 1/00586; H04N 1/00588; H04N 1/00591; H04N 1/00594; H04N 1/00596; H04N 1/00604; H04N 1/00559; H04N 1/1013; H04N 1/10; H04N 1/00551; H04N 1/00278; H04N 2201/0456; H04N 2201/0446; H04N 2201/00; H04N 2201/0094; H04N

1/1008; H04N 1/017; H04N 1/1065; H04N 1/107; H04N 1/192; H04N 1/193; H04N 1/1938; H04N 1/19505; H04N 1/0083; H04N 1/2032; H04N 2201/0013; H04N 2201/0063; H04N 2201/0081; H04N 2201/0082; H04N 2201/0086; H04N 2201/0434; G03G 15/0142; G03G 15/605; G03G 15/602; G03G 15/607; G03G 15/65; B65H 5/26; B65H 5/30; B65H 5/36; B65H 7/00; B65H 2402/515; B65H 2402/31; B65H 2511/20; B65H 2511/414; B65H 2513/42; B65H  
(Continued)

(56) **References Cited**

**U.S. PATENT DOCUMENTS**

D278,817 S \* 5/1985 Ohno ..... D14/470  
D469,769 S \* 2/2003 Sugitani ..... D14/425

(Continued)

*Primary Examiner* — Susan Moon Lee

(74) *Attorney, Agent, or Firm* — RatnerPrestia

(57) **CLAIM**

The ornamental design for a scanner, as shown and described.

**DESCRIPTION**

FIG. 1 is a perspective view of a scanner showing our new design;

FIG. 2 is a front view thereof;

FIG. 3 is a rear view thereof;

FIG. 4 is a right side view thereof;

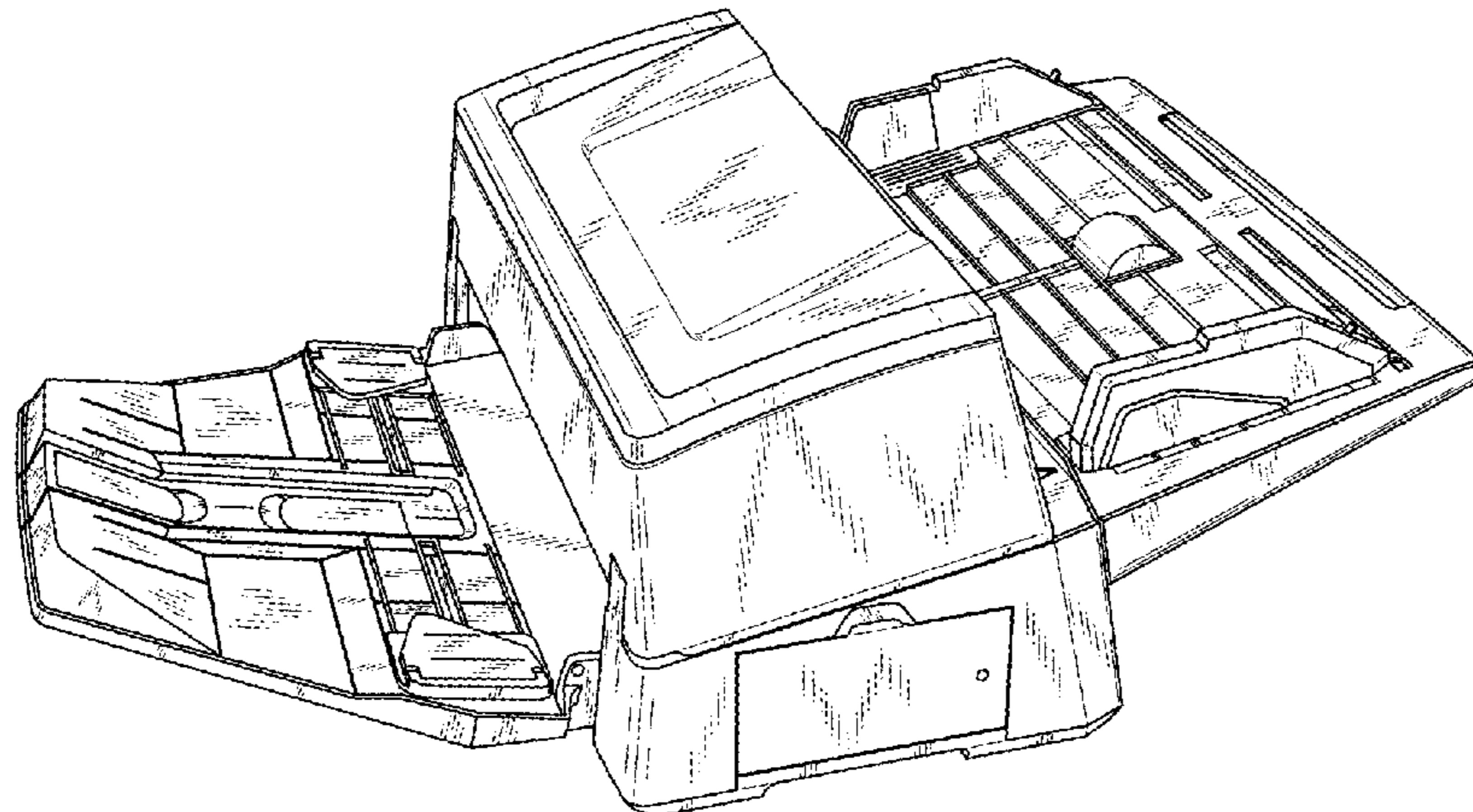
FIG. 5 is a left side view thereof;

FIG. 6 is a top plan view thereof; and,

FIG. 7 is a bottom plan view thereof.

The broken lines in the drawings are for the purpose of illustrating unclaimed portions of the scanner and form no part of the claimed design.

**1 Claim, 4 Drawing Sheets**



(58) **Field of Classification Search**

CPC . 2801/39; B65H 2801/31; B65H 2215/00189;  
B65H 2215/00194; B65H 2215/00198;  
B65H 2215/00202; B65H 2215/00206;  
B65H 2215/20; B65H 2301/00; B65H  
2220/04; B65H 3/5261; B65H 2402/30;  
B65H 2402/32-2402/34; B65H 2402/40;  
B65H 2402/44; B65H 2402/341; B65H  
9/08; B65H 31/02

See application file for complete search history.

(56) **References Cited**

U.S. PATENT DOCUMENTS

D514,107	S	1/2006	Sugitani et al.	
D514,575	S *	2/2006	Sugitani .....	D14/422
D518,513	S *	4/2006	Sugitani .....	D18/50
D584,735	S	1/2009	Sugitani et al.	
D585,064	S	1/2009	Sugitani et al.	
D585,070	S *	1/2009	Sugitani .....	D14/422
D603,863	S *	11/2009	Sugitani .....	D14/421
2003/0206318	A1 *	11/2003	Breslawski .....	H04N 1/00347 358/498
2003/0210433	A1 *	11/2003	Westcott .....	H04N 1/00538 358/474

\* cited by examiner

FIG. 1

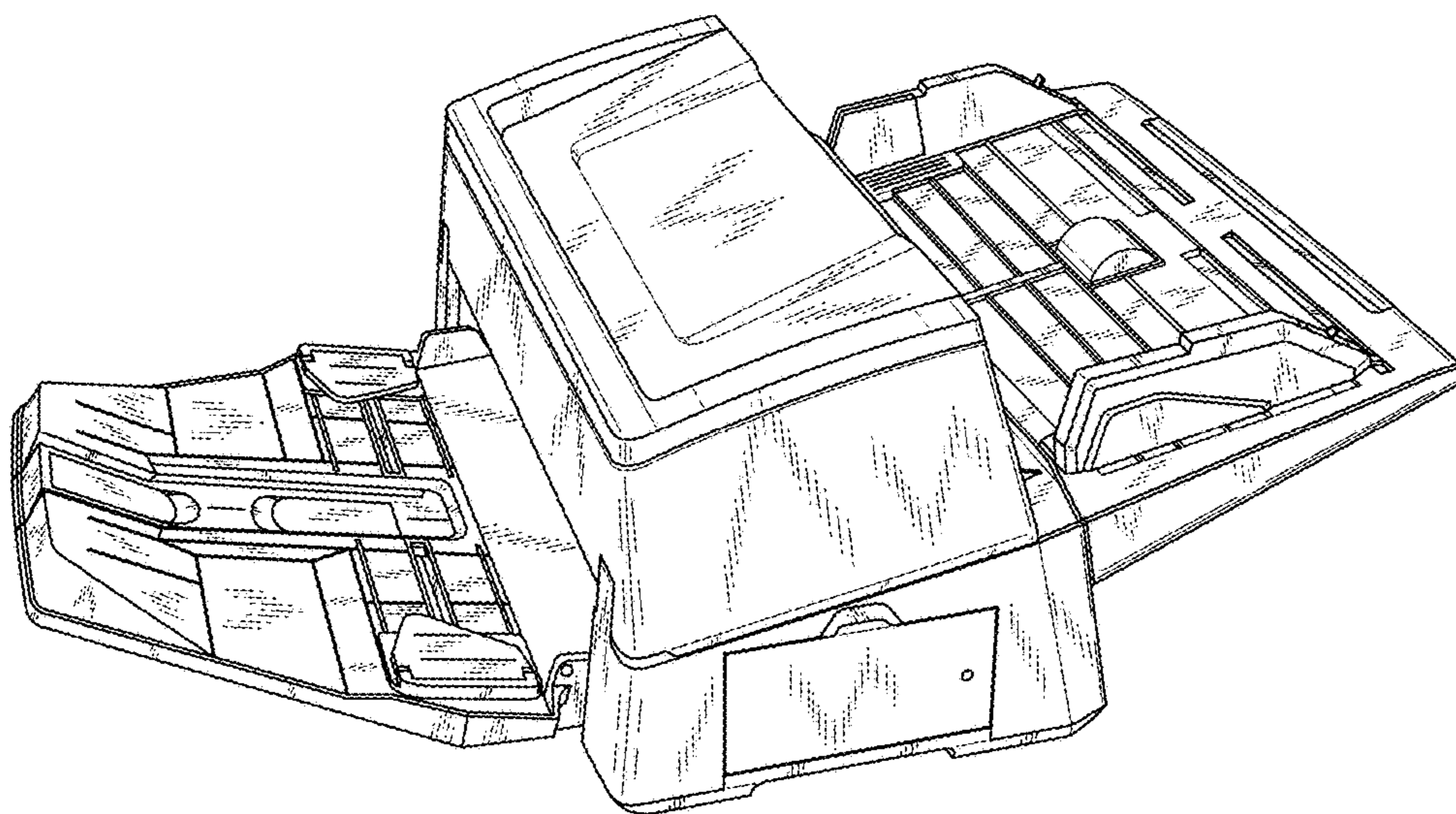


FIG. 2

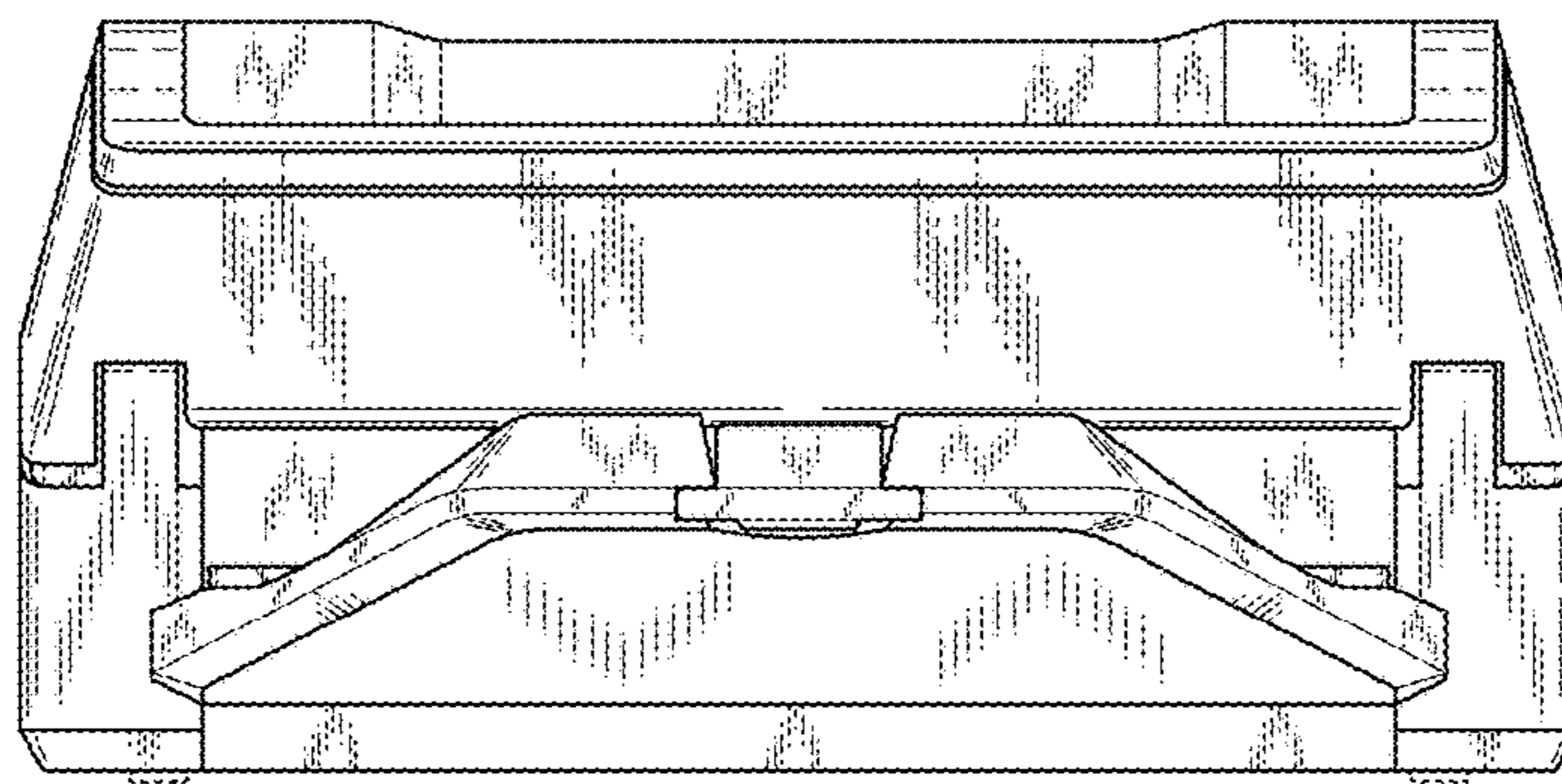


FIG. 3

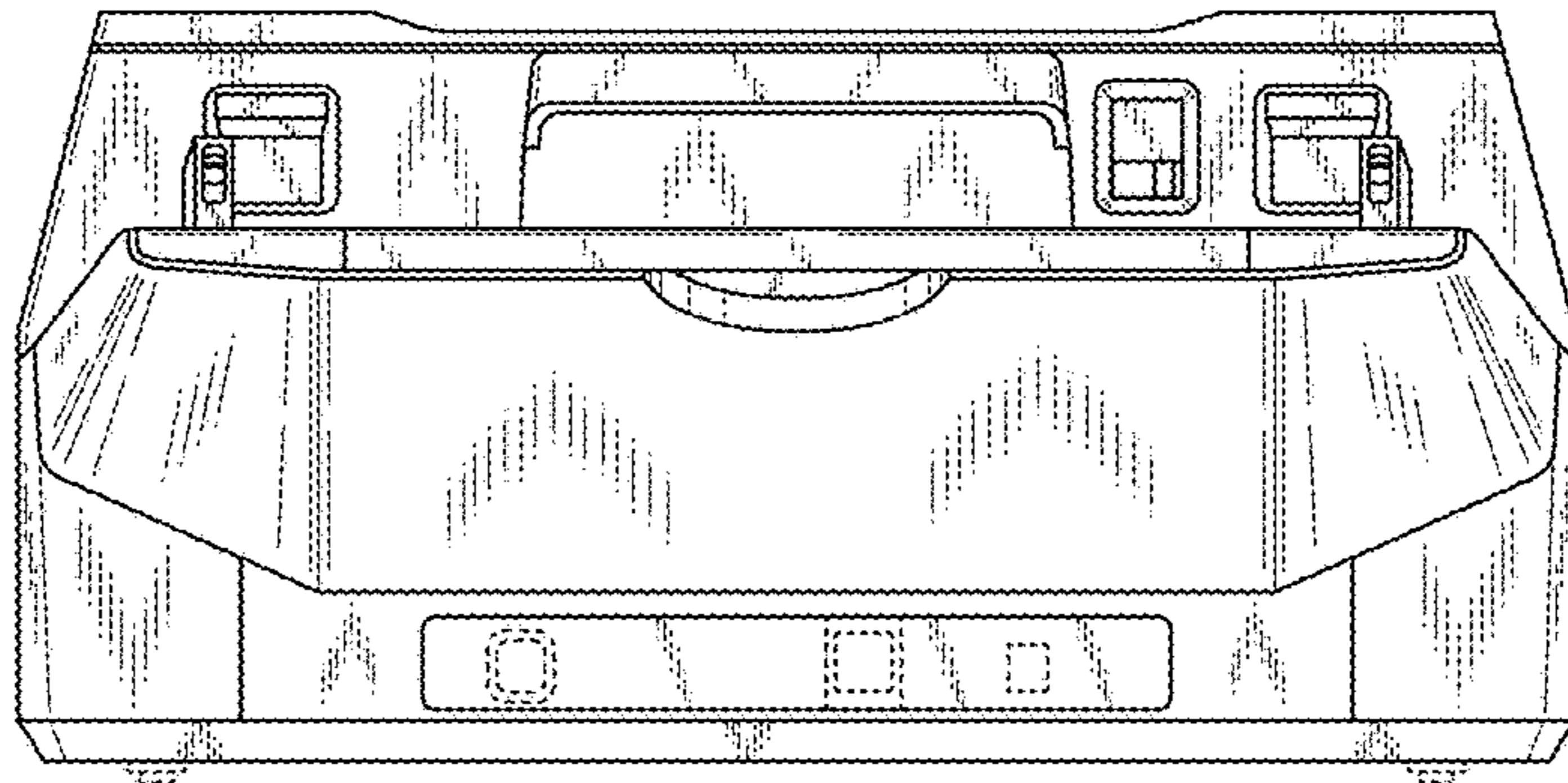


FIG. 4

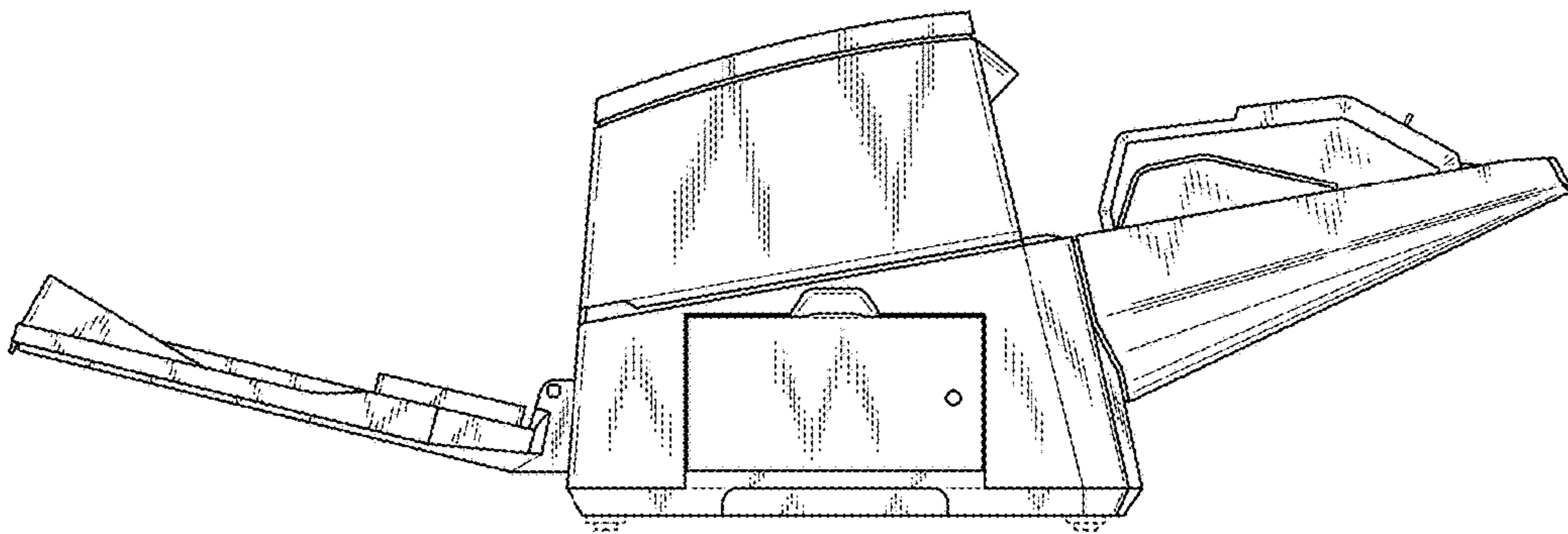


FIG. 5

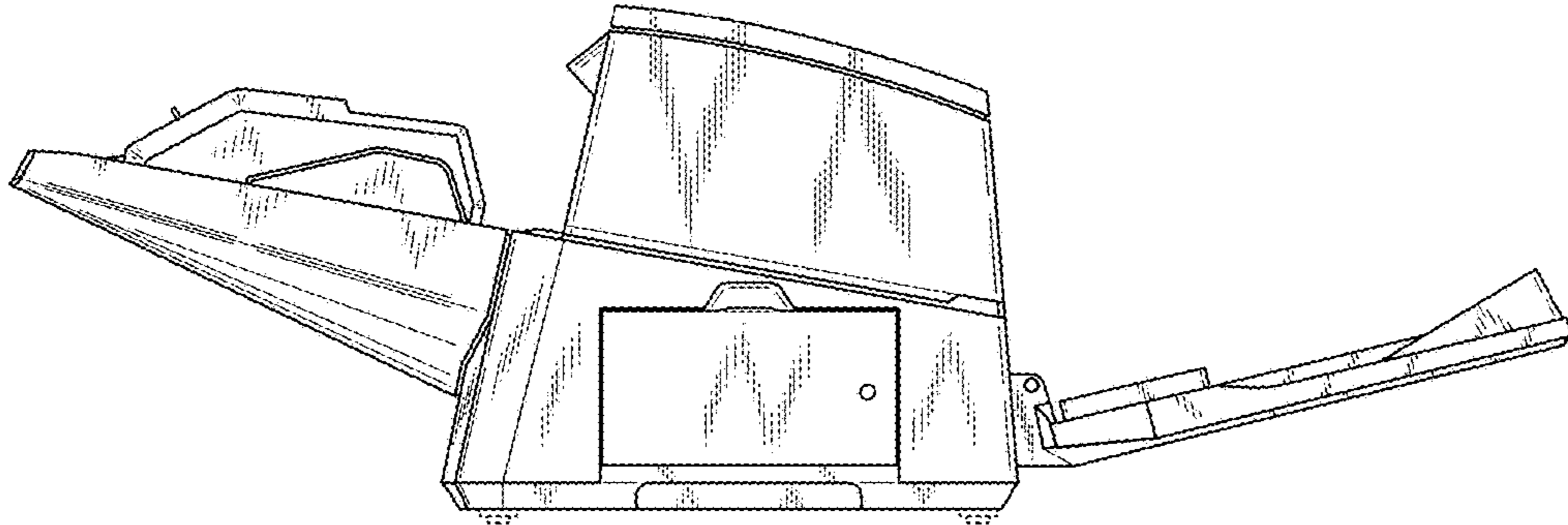


FIG. 6

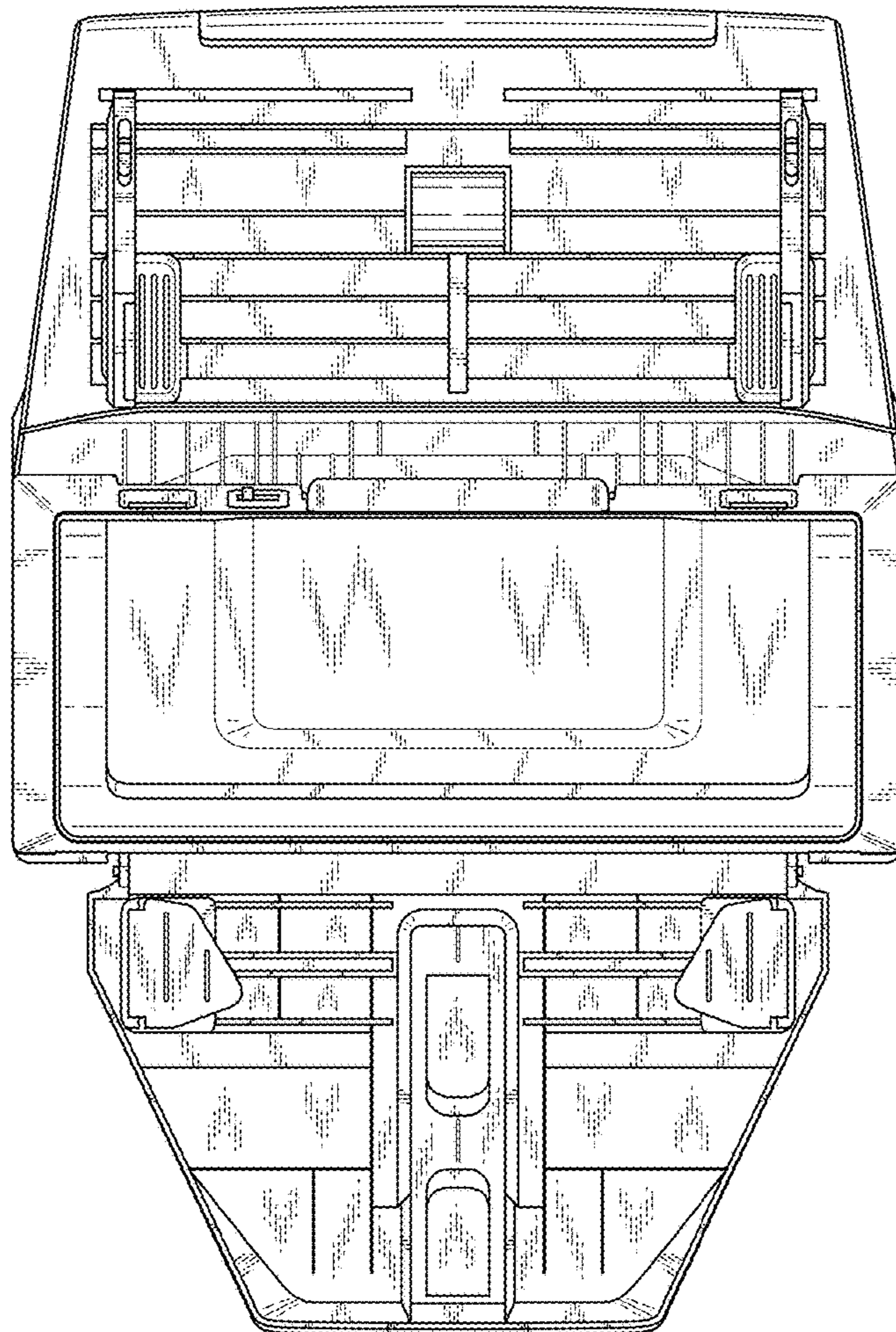


FIG. 7

