



US00D816084S

(12) **United States Design Patent**  
**Loughnane et al.**

(10) **Patent No.:** **US D816,084 S**  
(45) **Date of Patent:** **\*\* Apr. 24, 2018**

(54) **INPUT DEVICE**  
(71) Applicant: **Logitech Europe S.A.**, Lausanne (CH)  
(72) Inventors: **Cathal Loughnane**, Co. Wexford (IE);  
**George Barrett**, Lausanne (CH); **Mel Reynolds**, Bray (IE); **Marten Helwig**,  
Bern-Hinterkappele (CH)  
(73) Assignee: **Logitech Europe S.A.**, Lausanne (CH)

(\*\*) Term: **15 Years**

(21) Appl. No.: **29/552,364**

(22) Filed: **Jan. 21, 2016**

(51) **LOC (11) Cl.** ..... **14-02**

(52) **U.S. Cl.**  
USPC ..... **D14/409**

(58) **Field of Classification Search**  
USPC ..... D14/402–411, 356, 388, 389, 383–385,  
D14/417, 426; 345/156–167; 463/36–38;  
358/471, 473; 273/148 B  
CPC ..... G06F 3/03543; G06F 2203/0333; G06F  
3/039; G06F 3/038; G06F 2203/0384  
See application file for complete search history.

(56) **References Cited**

**U.S. PATENT DOCUMENTS**

D505,677 S \* 5/2005 Sheehan ..... D14/408  
D552,095 S \* 10/2007 Sheehan ..... D14/409  
D593,097 S \* 5/2009 Kujawski ..... D14/409

D597,545 S \* 8/2009 Kujawski ..... D14/409  
D598,022 S \* 8/2009 Kujawski ..... D14/409  
D611,475 S \* 3/2010 Kujawski ..... D14/409  
D620,009 S \* 7/2010 Lin ..... D14/409  
D638,428 S \* 5/2011 Kujawski ..... D14/409  
D659,695 S \* 5/2012 Chen ..... D14/409  
D667,409 S \* 9/2012 Kujawski ..... D14/409  
D669,895 S \* 10/2012 Li ..... D14/409  
D688,245 S \* 8/2013 Guerra ..... D14/409  
D693,810 S \* 11/2013 Moon ..... D14/409  
D755,180 S \* 5/2016 Pascucci ..... D14/409  
D762,646 S \* 8/2016 Chong ..... D14/409

\* cited by examiner

*Primary Examiner* — Austin Murphy  
(74) *Attorney, Agent, or Firm* — Kilpatrick Townsend &  
Stockton LLP

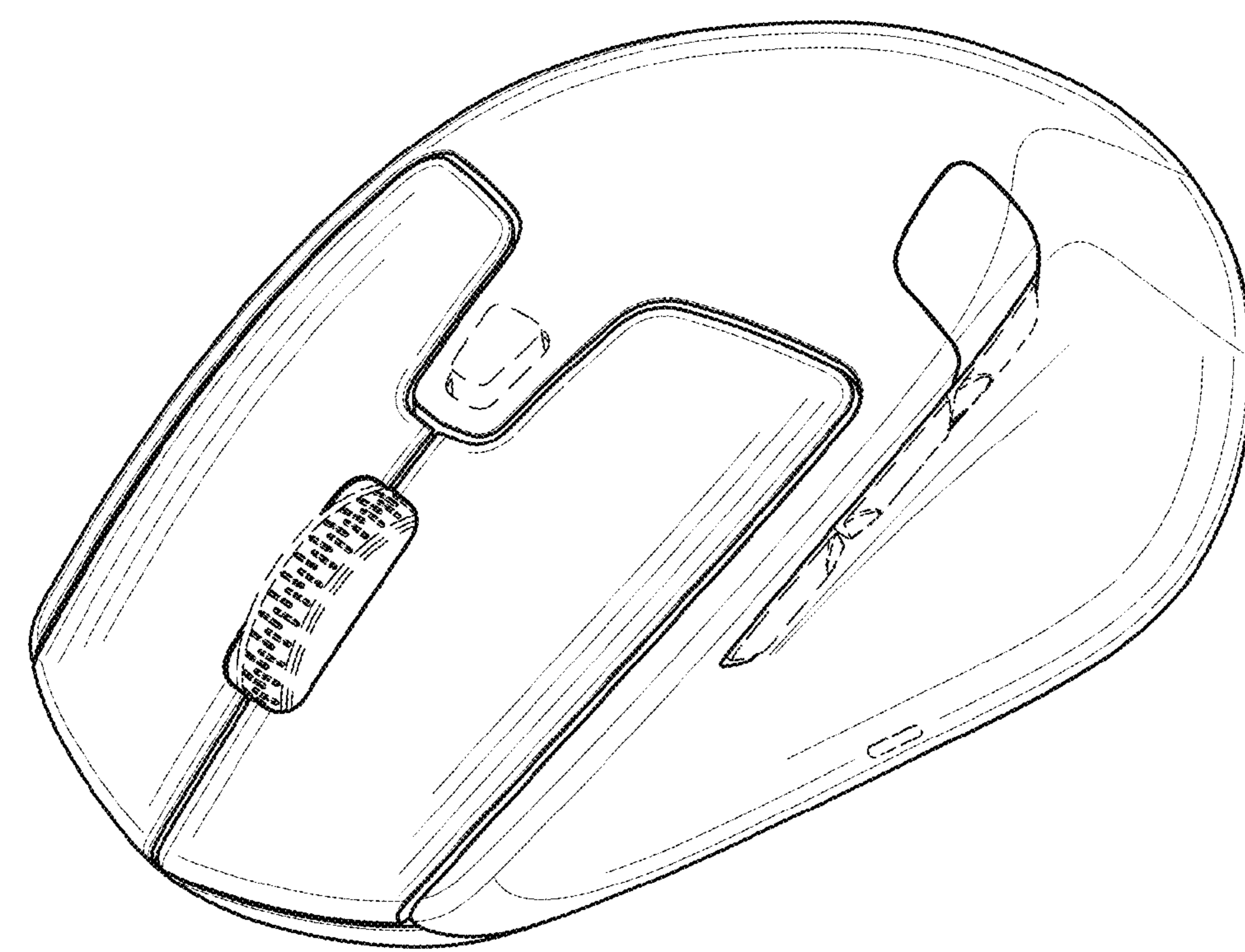
(57) **CLAIM**

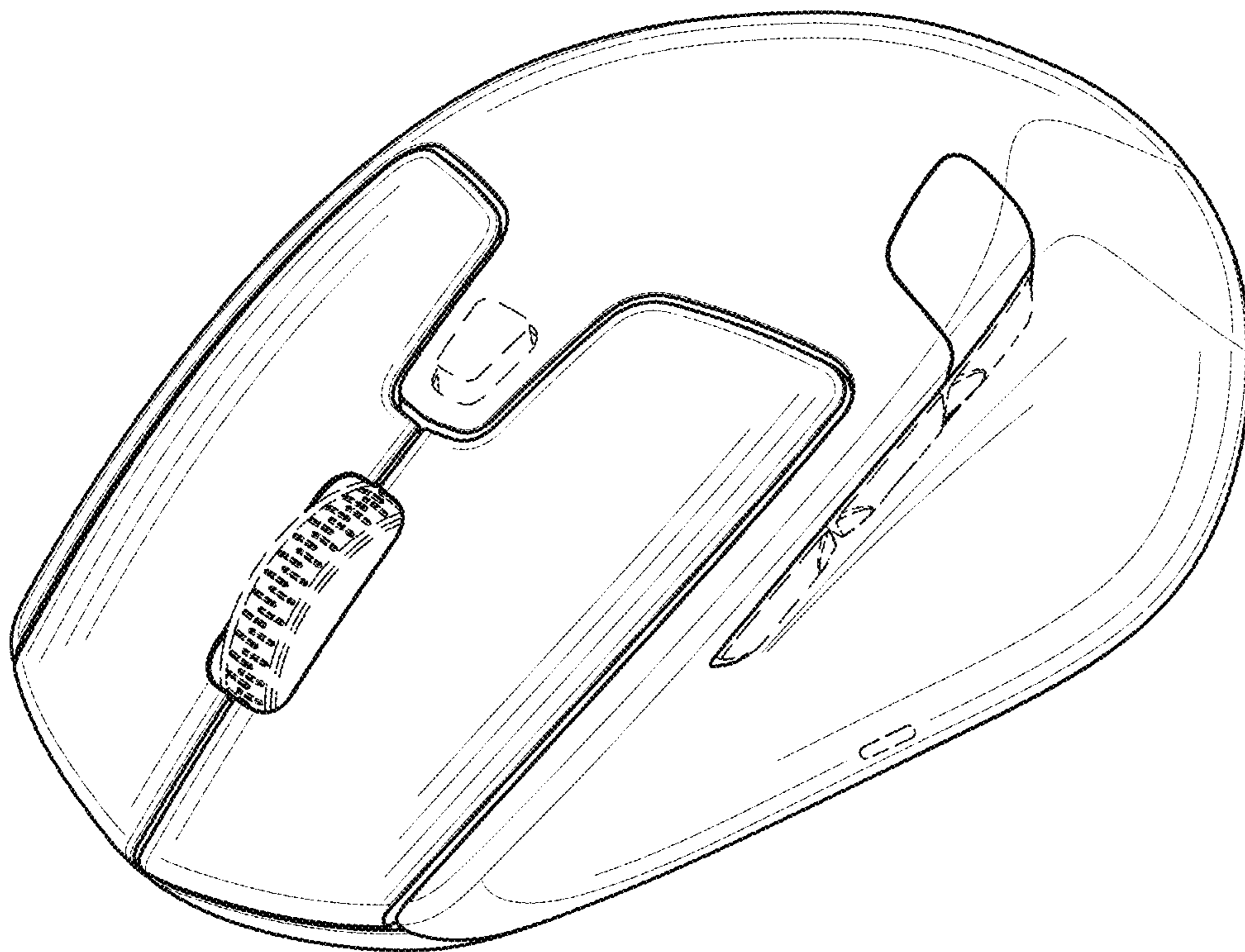
The ornamental design for our input device, as shown and described.

**DESCRIPTION**

FIG. 1 is a perspective view of a first embodiment of our input device showing our design;  
FIG. 2 is a top plan view thereof;  
FIG. 3 is a bottom plan view thereof;  
FIG. 4 is front elevational view thereof;  
FIG. 5 is a back elevational view thereof;  
FIG. 6 is a left side elevational view thereof; and,  
FIG. 7 is a right side elevational view thereof.  
The broken lines shown represent unclaimed subject matter and form no part of the claimed design.

**1 Claim, 4 Drawing Sheets**





**FIG. 1**

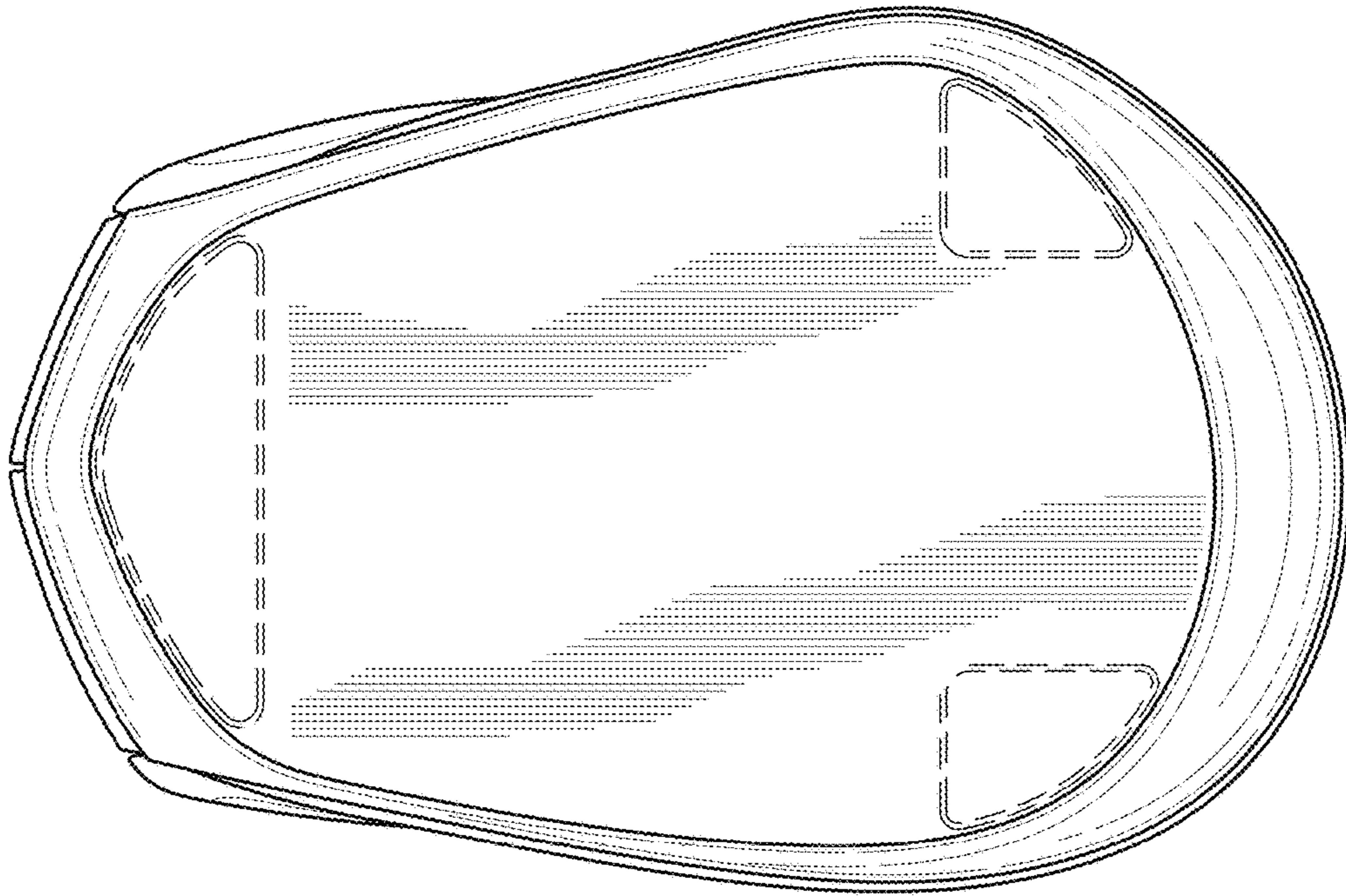


FIG. 3

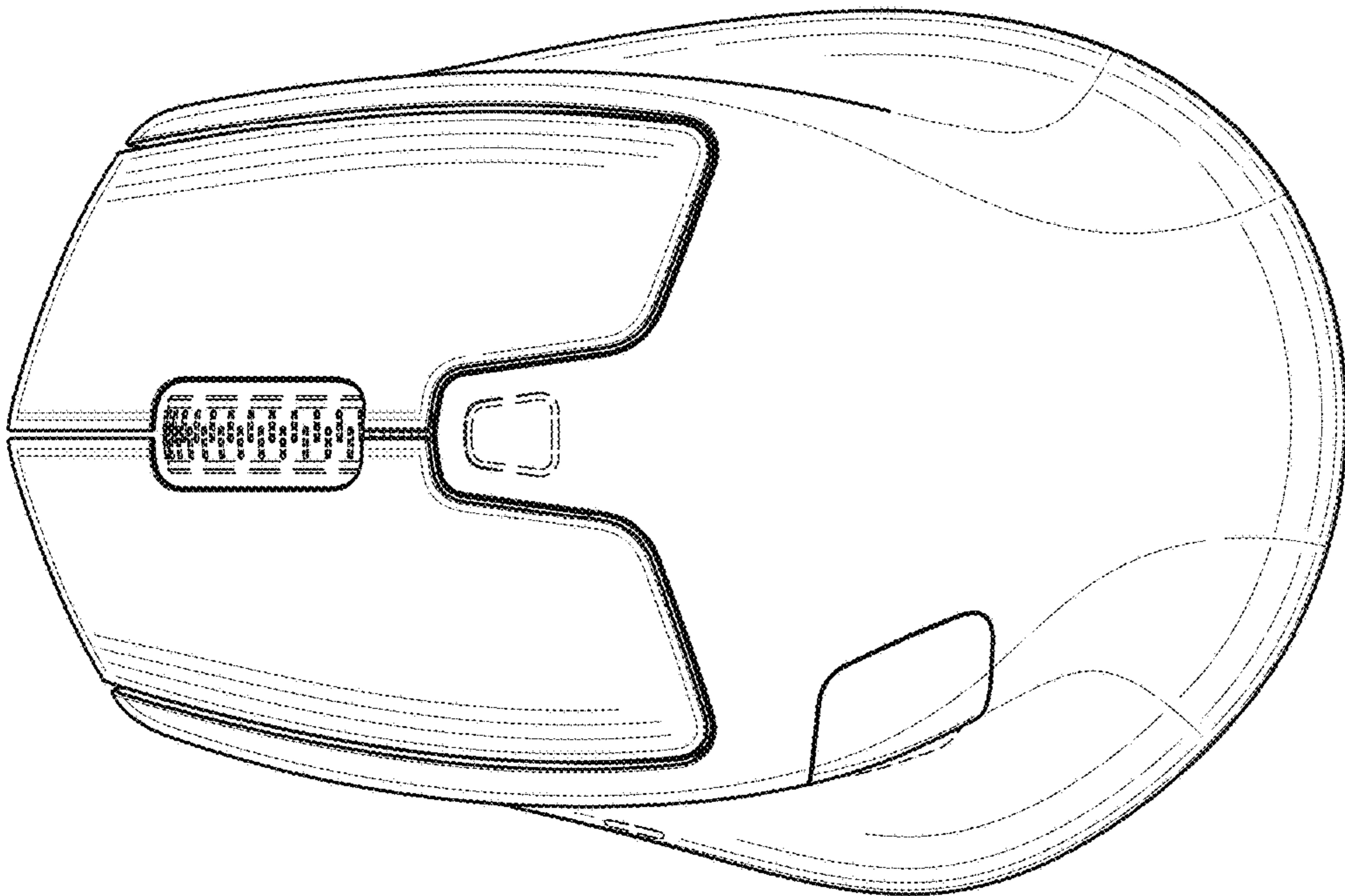
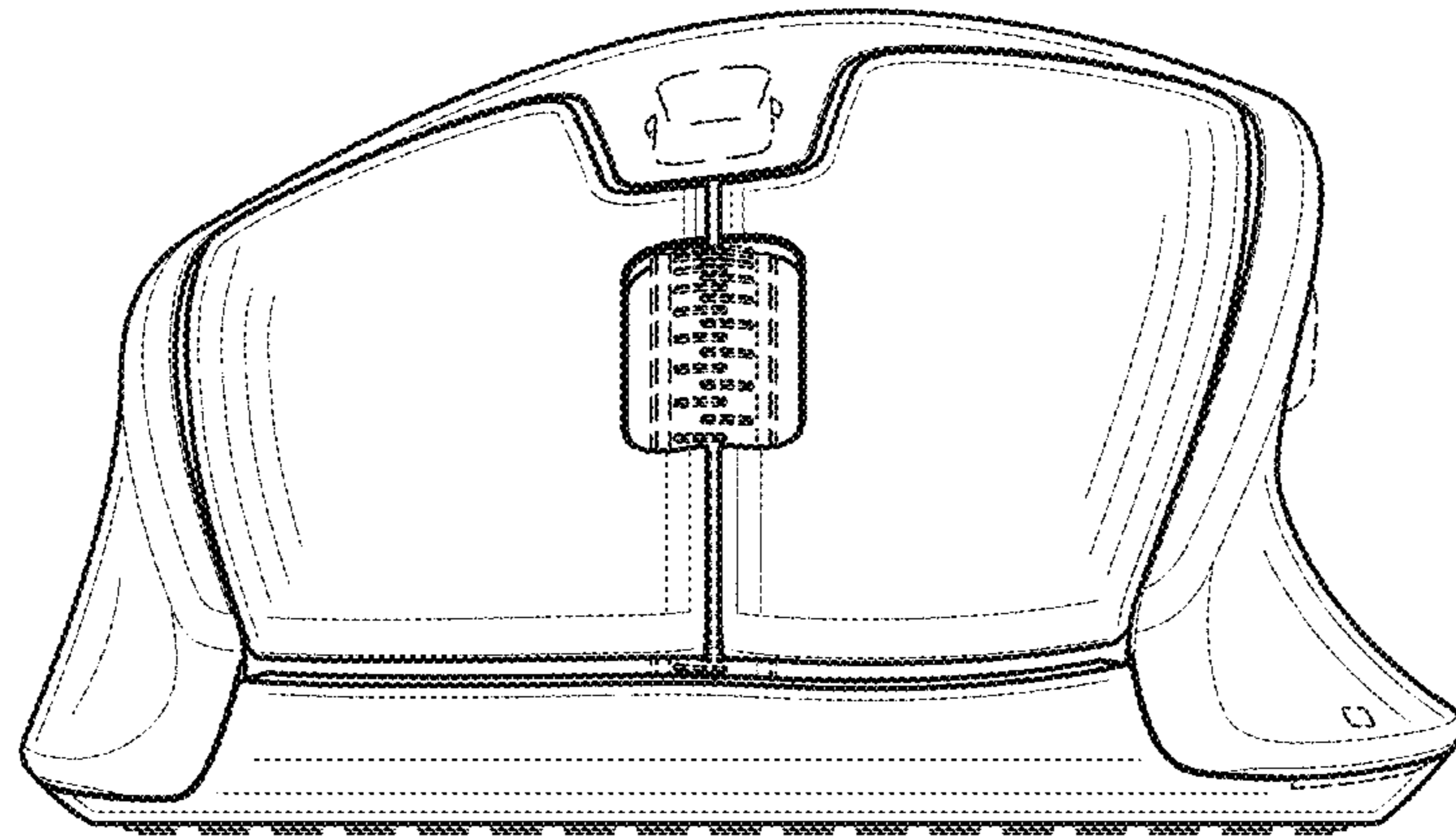
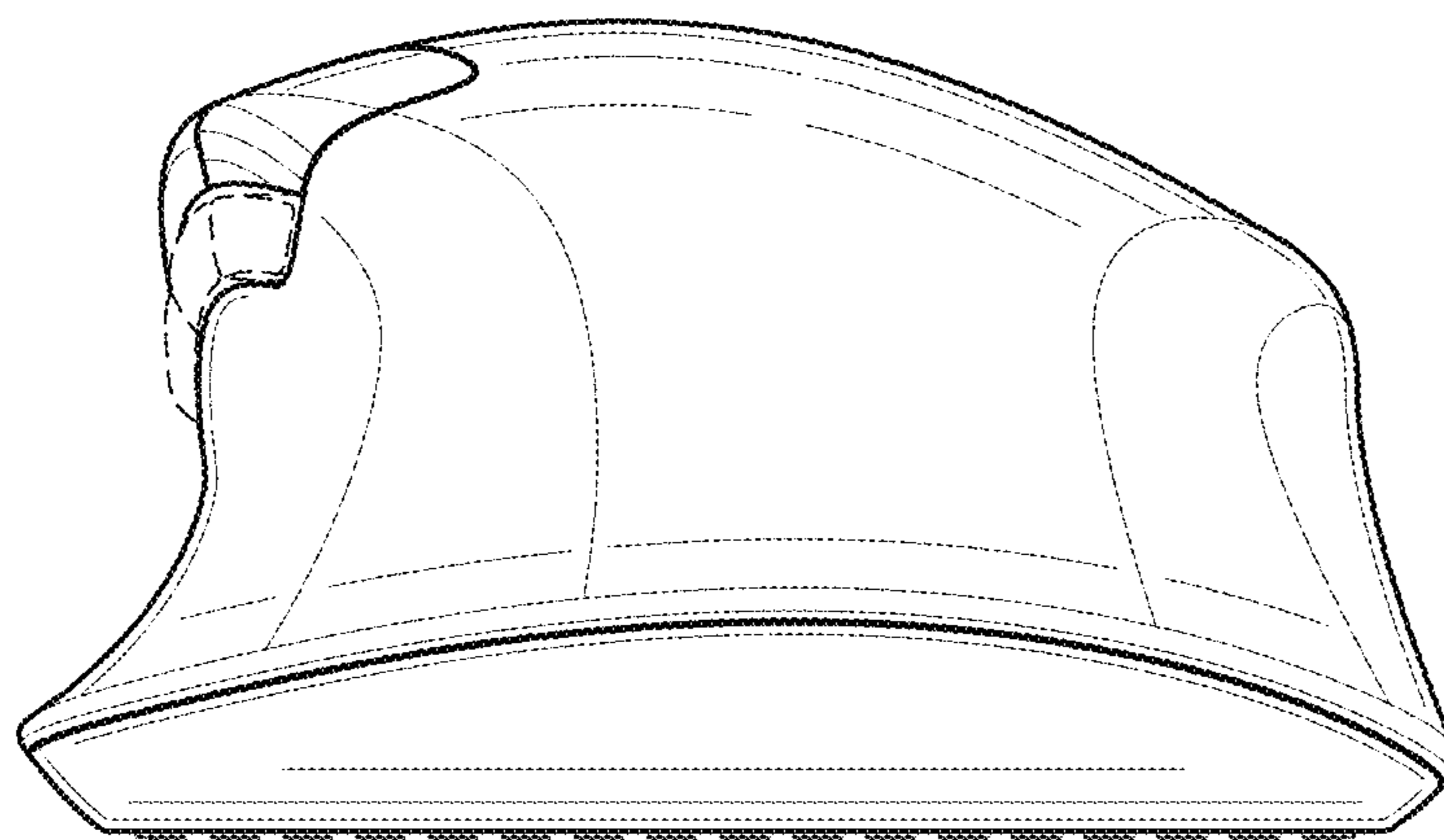


FIG. 2



**FIG. 4**



**FIG. 5**

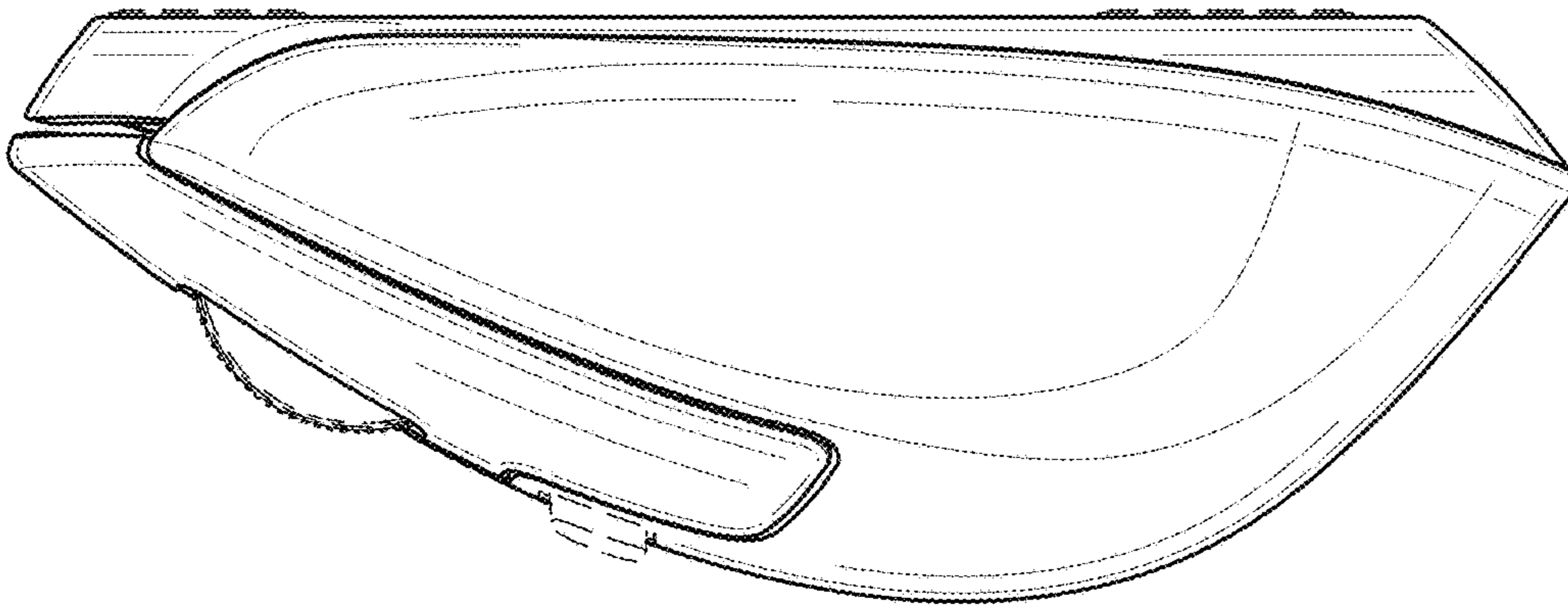


FIG. 7

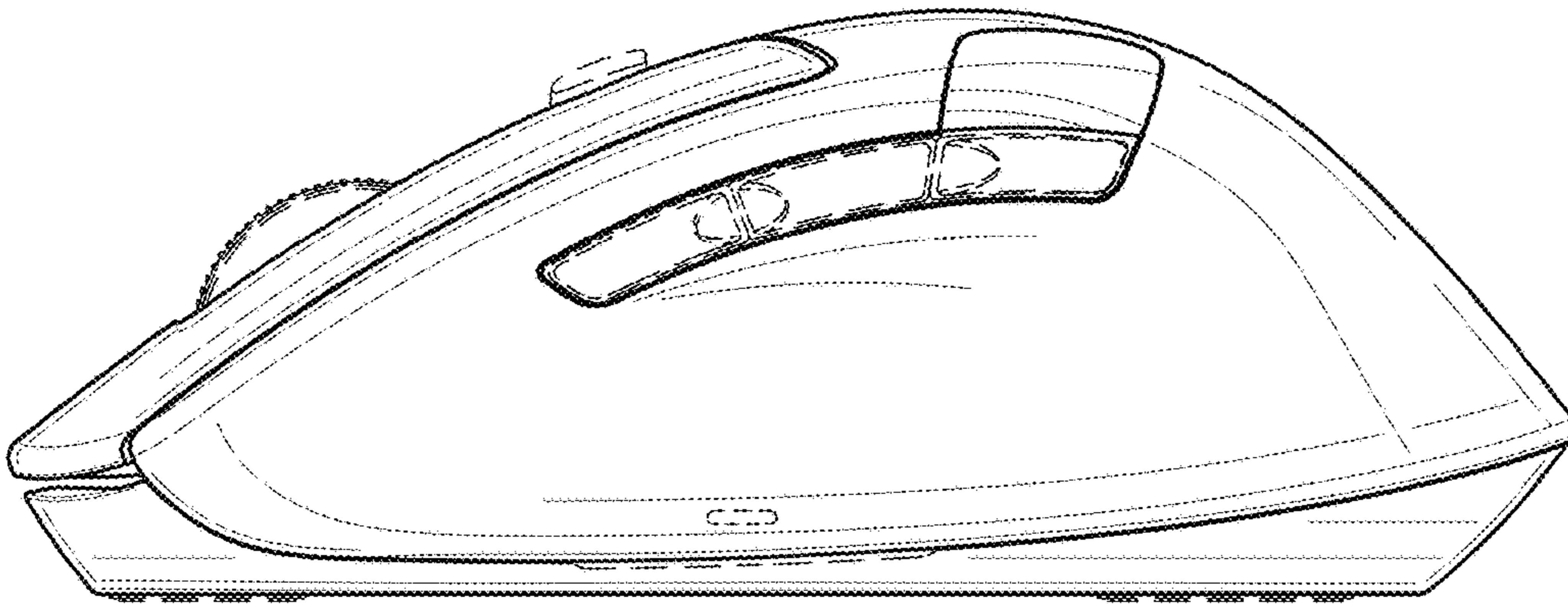


FIG. 6