



US00D816082S

(12) **United States Design Patent** (10) **Patent No.:** **US D816,082 S**
Stijnen (45) **Date of Patent:** **** Apr. 24, 2018**

(54) **ELECTRONIC DEVICE**
(71) Applicant: **Vasco Data Security Inc.**, Oakbrook Terrace, IL (US)
(72) Inventor: **Frederik Stijnen**, Antwerp (BE)
(73) Assignee: **Vasco Data Security Inc.**, Oakbrook Terrace, IL (US)
(**) Term: **15 Years**

D408,439 S * 4/1999 Sirois D18/7
D425,873 S * 5/2000 Anderson D14/399
D448,770 S * 10/2001 Morimiya D14/385
D466,892 S * 12/2002 Hoornaert D14/346
D466,898 S * 12/2002 Hoornaert D14/387
D467,245 S * 12/2002 Hoornaert D14/387
D478,584 S * 8/2003 Barthell D14/346
D486,826 S * 2/2004 Janez D14/387
D494,168 S * 8/2004 Hammond D14/346
D547,361 S * 7/2007 Henry D18/4.6
D672,386 S * 12/2012 Matunuma D18/4.6
D685,789 S * 7/2013 Chang D14/383

(Continued)

(21) Appl. No.: **29/583,209**
(22) Filed: **Nov. 3, 2016**

(30) **Foreign Application Priority Data**

May 3, 2016 (EM) 003106426-0001

(51) **LOC (11) Cl.** **14-02**

(52) **U.S. Cl.**
USPC **D14/399**; D14/387

(58) **Field of Classification Search**
USPC D14/399, 320, 338, 346, 383, 385, 387,
D14/388-390, 454, 455, 456, 218, 247,
D14/138 R, 138 AA; D18/4.6, 6, 7, 8,
D18/12, 12.1, 12.2; D13/168; D10/49,
D10/104.1, 106.1, 106.6, 106.95, 40
CPC G06F 15/02; G06F 15/0216; G06F 15/025;
G06F 15/0225; G06F 15/0258; G06F
1/1671; G06F 1/02; G06F 7/544; G06F
7/60; G06F 3/04883; G06F 3/04812;
G09B 19/025

See application file for complete search history.

(56) **References Cited**

U.S. PATENT DOCUMENTS

D289,396 S * 4/1987 Wilson D14/387
D327,882 S * 7/1992 George D14/399
D342,683 S * 12/1993 Cohen D10/40
D357,638 S * 4/1995 Hetherington D14/383
D403,667 S * 1/1999 Musha D14/347

OTHER PUBLICATIONS

Code Generators. (Design -© Questel). orbit.com.[online PDF] 35 pgs. Print Dates range Oct. 20, 2010 through Oct. 23, 2017. [Retrieved on Jan. 8, 2018] <https://sobjprd.questel.fr/export/QPTUJ214/pdf2/70467e34-1d76-4b54-970e-bf71c414f754-144034.pdf>.*

Primary Examiner — Susan Bennett Hattan
Assistant Examiner — Marie D. Fast Horse
(74) *Attorney, Agent, or Firm* — Kirschstein, Israel, Schiffmiller & Pieroni, P.C.

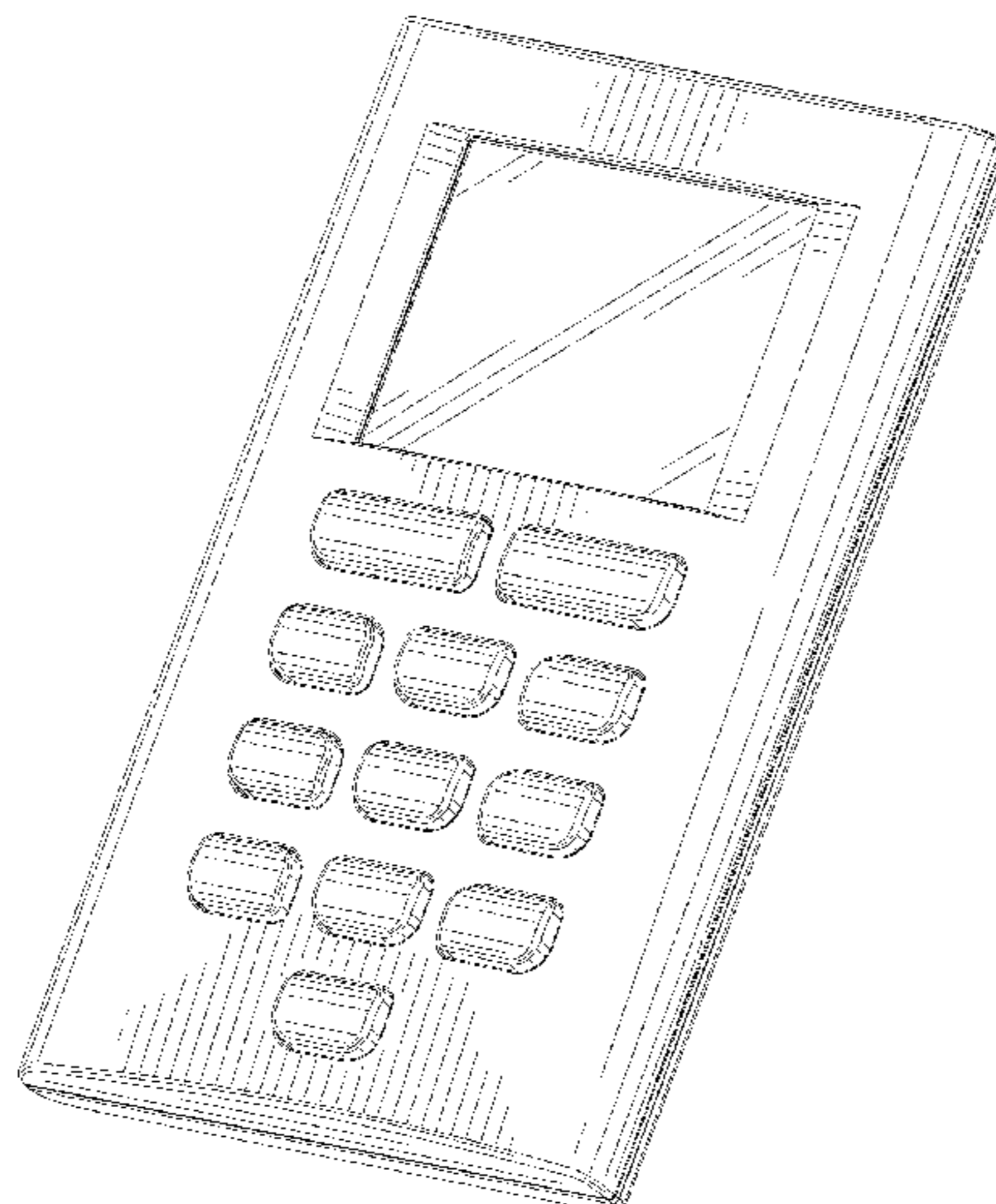
(57) **CLAIM**

The ornamental design for an electronic device, as shown and described.

DESCRIPTION

FIG. 1 is a perspective view of an electronic device according to my new design.
FIG. 2 is a rear elevational view thereof.
FIG. 3 is a bottom plan view thereof.
FIG. 4 is a front elevational view thereof.
FIG. 5 is a left side elevational view thereof.
FIG. 6 is a right side elevational view thereof; and,
FIG. 7 is a top plan view thereof.
The broken lines in the drawings depict parts of the electronic device that form no part of the claim.

1 Claim, 7 Drawing Sheets



(56)

References Cited

U.S. PATENT DOCUMENTS

D703,670 S *	4/2014	Rotsaert	D14/385
D716,372 S *	10/2014	Lee	D18/4.4
D719,999 S *	12/2014	Sohrabi	D18/4.4
8,949,608 B2 *	2/2015	Hoornaert	G06F 21/34 235/380
D766,241 S *	9/2016	Maletz	D14/399
D784,334 S *	4/2017	Tehranchi	D14/383

* cited by examiner

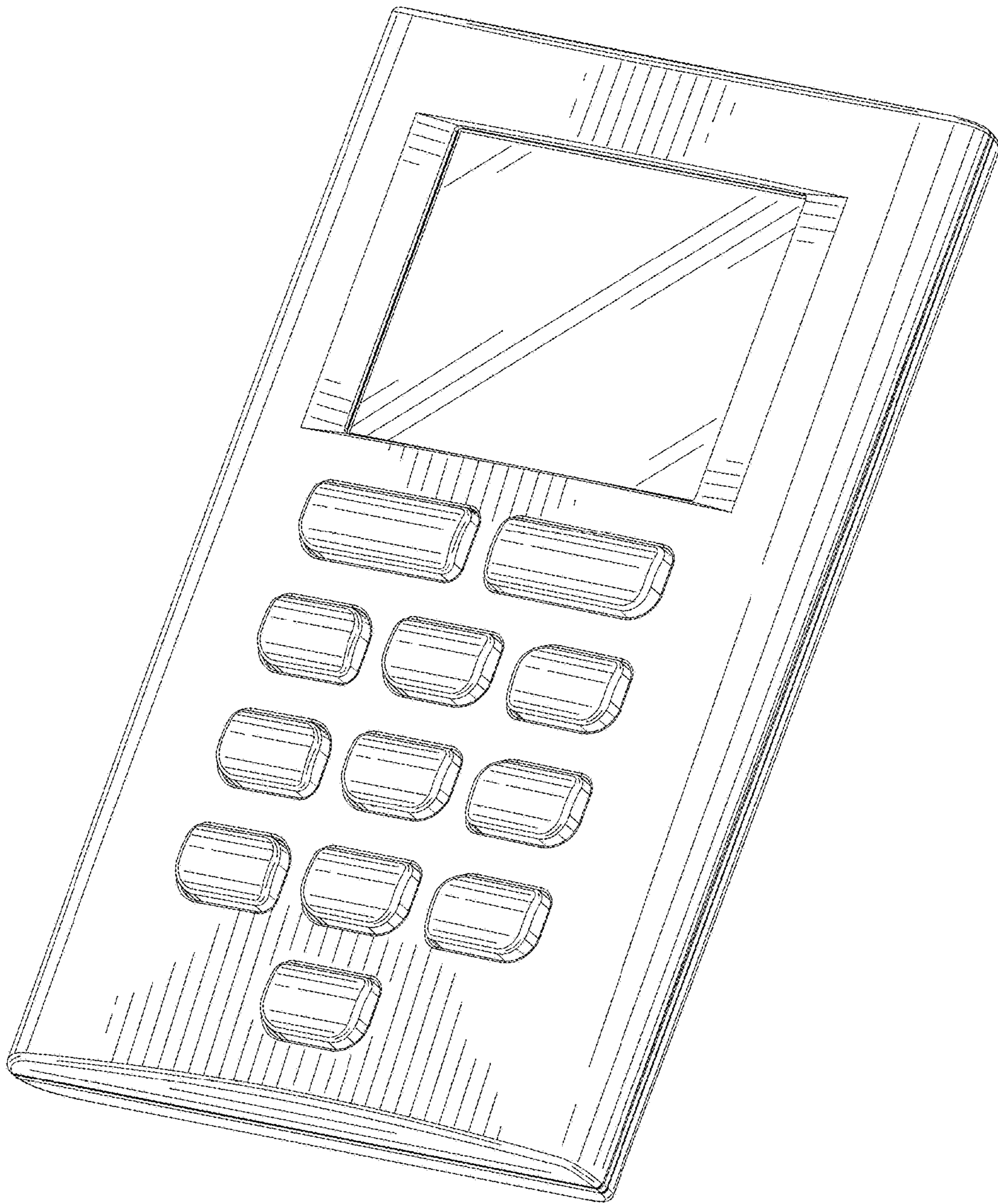


FIG. 1

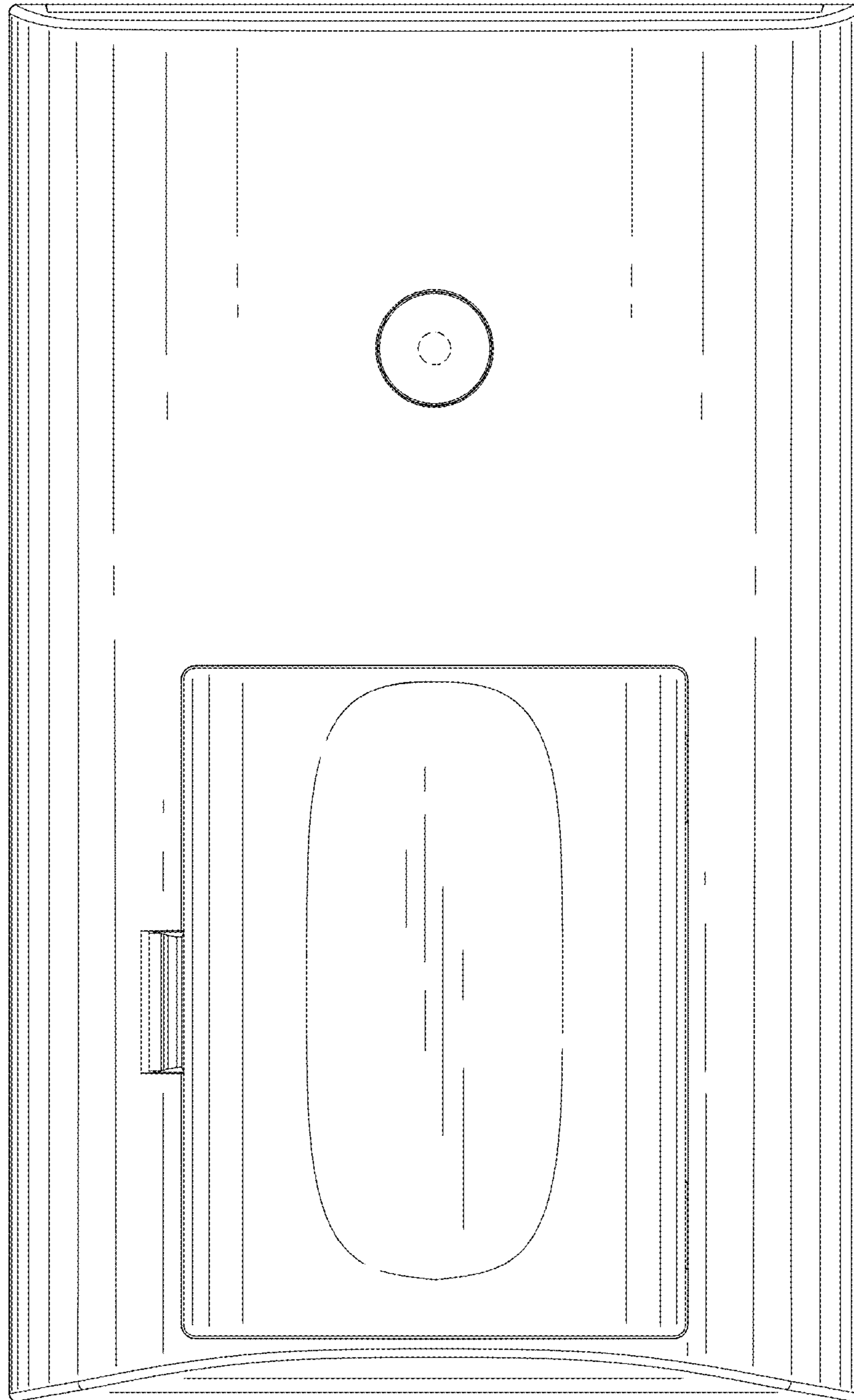


FIG. 2

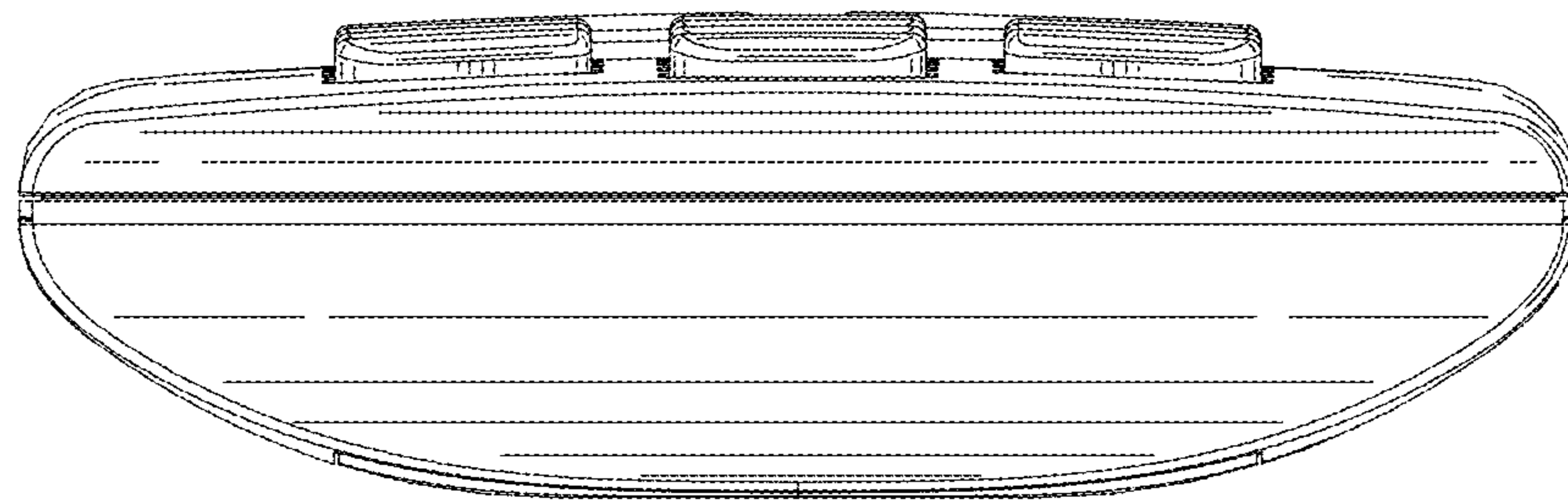


FIG. 3

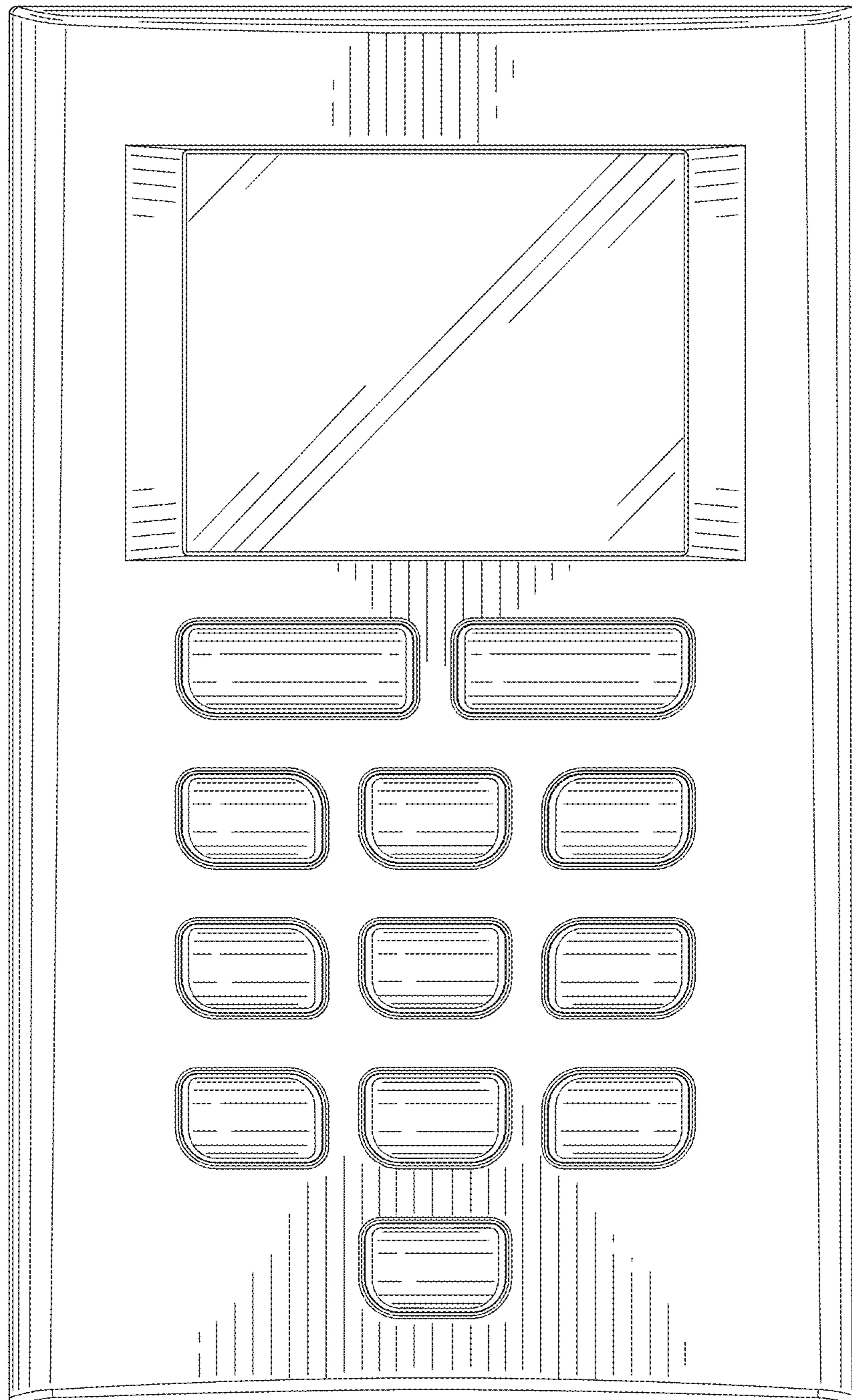


FIG. 4

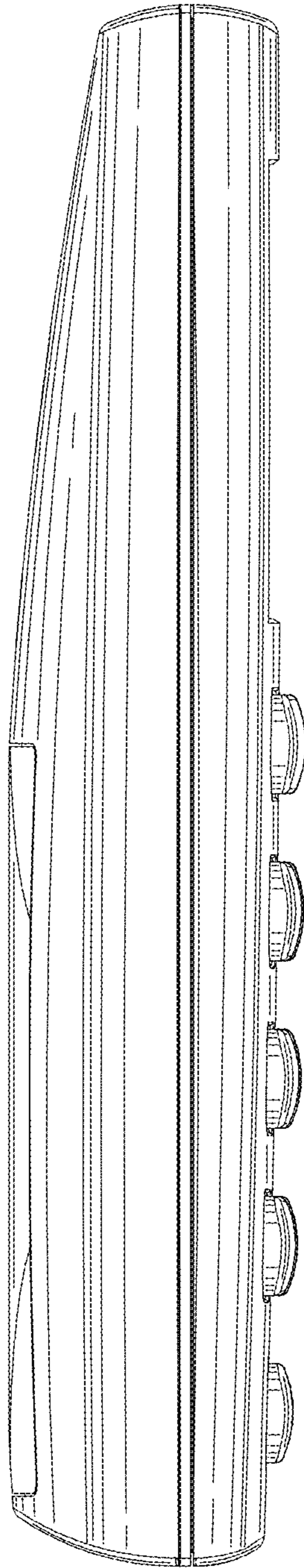


FIG. 5

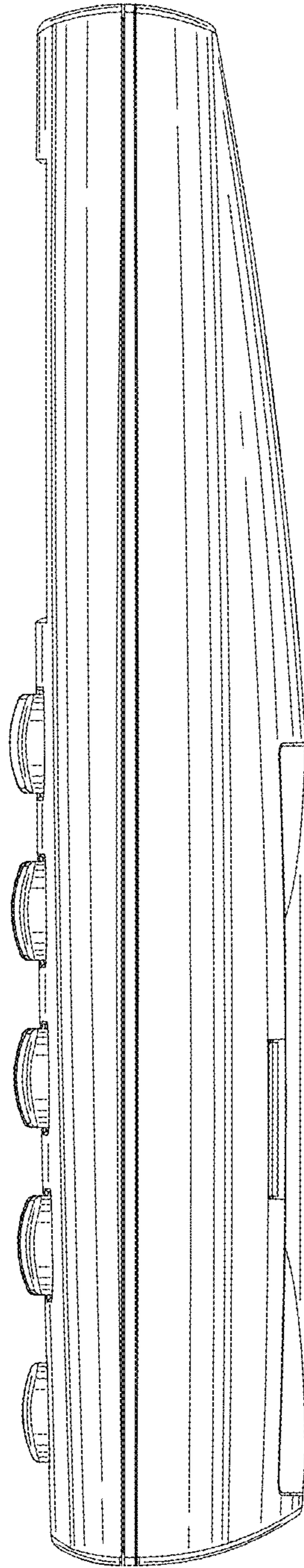


FIG. 6

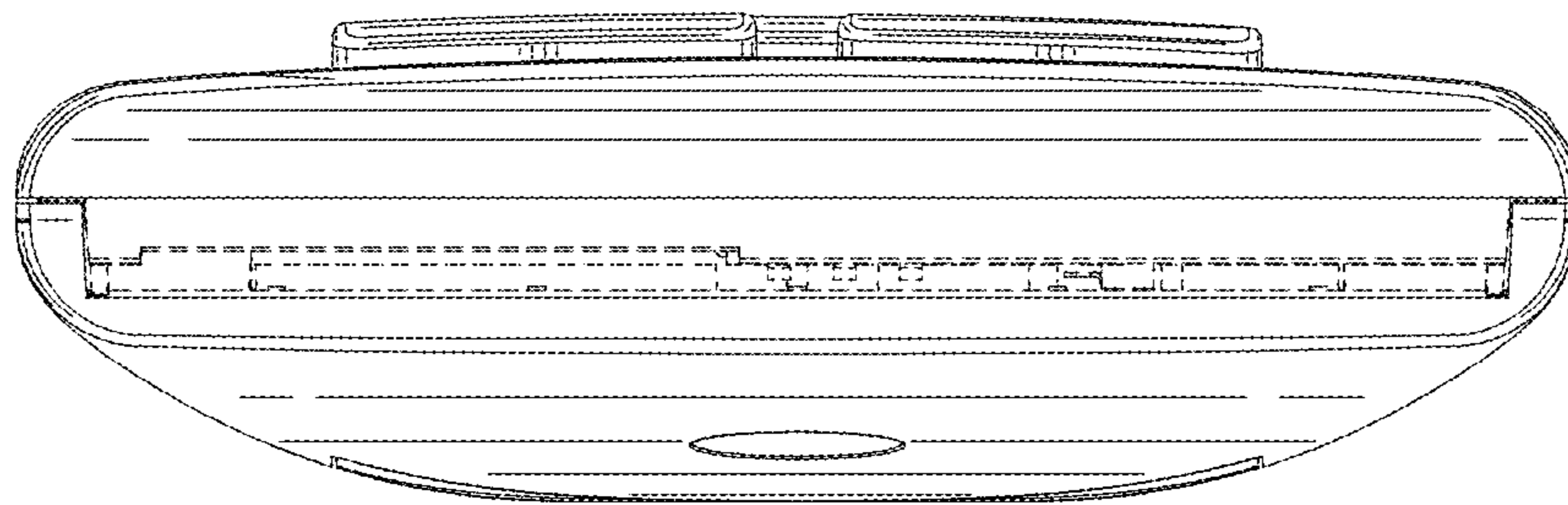


FIG. 7