



US00D816079S

(12) **United States Design Patent**  
**Yamazaki et al.**

(10) **Patent No.:** **US D816,079 S**  
(45) **Date of Patent:** **\*\* Apr. 24, 2018**

(54) **PORTABLE INFORMATION TERMINAL**

(71) Applicant: **Semiconductor Energy Laboratory Co., Ltd.**, Atsugi-shi, Kanagawa-ken (JP)

(72) Inventors: **Shunpei Yamazaki**, Setagaya (JP);  
**Kensuke Yoshizumi**, Isehara (JP)

(73) Assignee: **Semiconductor Energy Laboratory Co., Ltd.**, Kanagawa-ken (JP)

(\*\*) Term: **15 Years**

(21) Appl. No.: **29/597,729**

(22) Filed: **Mar. 20, 2017**

(30) **Foreign Application Priority Data**

Sep. 23, 2016 (JP) ..... 2016-020482

(51) **LOC (11) Cl.** ..... **14-02**

(52) **U.S. Cl.**  
USPC ..... **D14/341**

(58) **Field of Classification Search**  
USPC ..... D14/341-347, 125-134, 137, 138 R,  
D14/138 AA, 138 AB, 138 C, 138 G, 147,  
(Continued)

(56) **References Cited**

**U.S. PATENT DOCUMENTS**

7,077,531 B2 \* 7/2006 Reid ..... F21V 7/0008  
359/599

D560,724 S \* 1/2008 Johnson ..... D21/329  
(Continued)

**FOREIGN PATENT DOCUMENTS**

JP Des. 1259801 1/2006  
JP Des. 1511775 11/2014

(Continued)

**OTHER PUBLICATIONS**

Samsung may commercialize flexible screens in 2017, posted Apr. 3, 2016, [retrieved Dec. 9, 2017]. Retrieved from Internet, <URL: <https://www.digitaltrends.com/mobile/samsung-flexible-2017-rumor/>>.\*

(Continued)

*Primary Examiner* — Barbara Fox

*Assistant Examiner* — Kristin E Reed

(74) *Attorney, Agent, or Firm* — Robinson Intellectual Property Law Office; Eric J. Robinson

(57) **CLAIM**

We claim, the ornamental design for a portable information terminal, as shown and described.

**DESCRIPTION**

FIG. 1 is a front view of a portable information terminal showing our new design;

FIG. 2 is a rear view thereof;

FIG. 3 is a right side view thereof;

FIG. 4 is a left side view thereof;

FIG. 5 is a top view thereof;

FIG. 6 is a bottom view thereof;

FIG. 7 is a perspective view thereof;

FIG. 8 is a perspective view thereof;

FIG. 9 is a front view thereof in which the portable information terminal is folded;

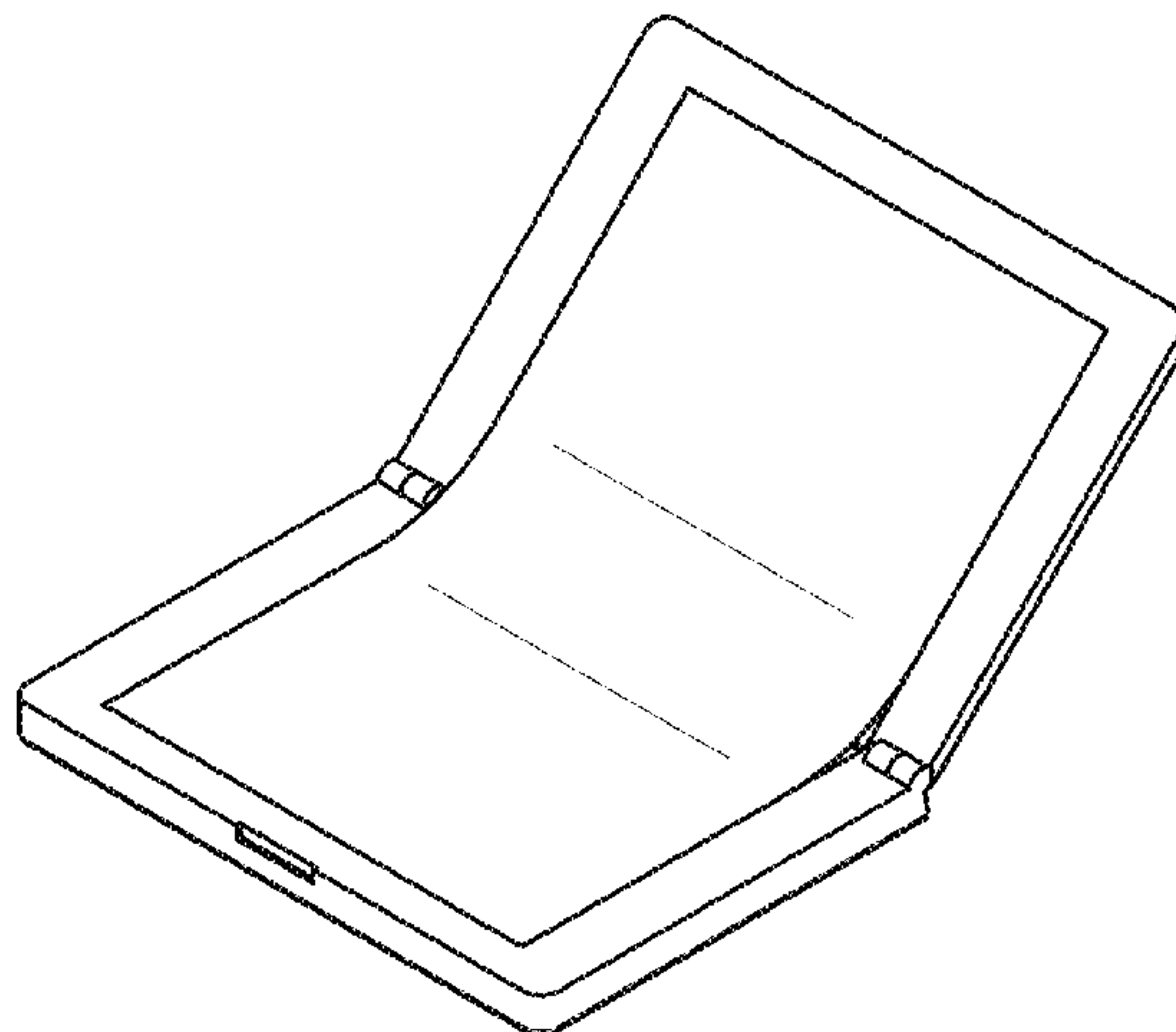
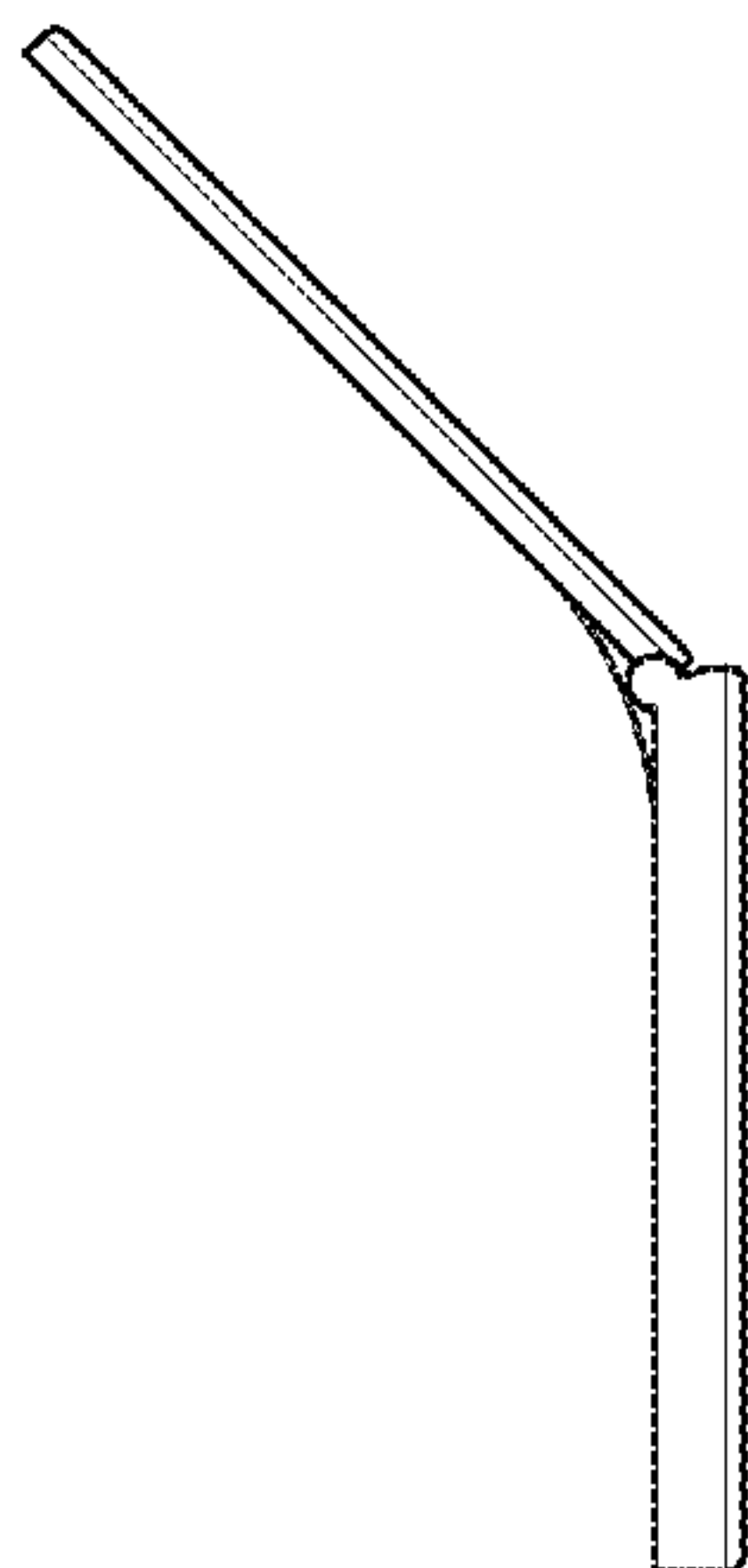
FIG. 10 is a right side view thereof in which the portable information terminal is folded;

FIG. 11 is a perspective view thereof in which the portable information terminal is folded; and,

FIG. 12 is a perspective view thereof in which the portable information terminal is folded.

The portable information terminal can function as a computer, a wireless communication device, a media reproducing device (e.g., a music player or a video player), a game machine, or the like. The portable information terminal can be folded so that a display portion is inside.

**1 Claim, 6 Drawing Sheets**



(58) **Field of Classification Search**

USPC ... D14/203.1, 203.3, 203.4, 203.7, 218, 247,  
 D14/248, 332, 336, 371, 374–377, 388,  
 D14/389, 315–318, 420, 426, 429, 440,  
 D14/448, 450, 489, 492, 496;  
 D6/300–310; D10/50, 65, 104.1;  
 D16/241; D18/6; D20/10, 19, 39;  
 D21/329, 330; 455/575.3  
 CPC . A63H 33/3016; G06F 1/1613; G06F 1/1641;  
 G06F 1/1643; G06F 1/1647; G06F  
 3/04883; G06F 3/0486; G06F 3/04847;  
 G06F 3/04845; G06F 3/0484; G06F  
 3/04817; H05K 5/0004; H05K 5/0017;  
 H05K 5/02; H05K 5/0217; H04M 1/0279;  
 H04M 1/0281; H04M 1/0283; H04N  
 13/0459; G09B 21/02; G09B 21/025;  
 G09B 21/04; G09B 21/00; G09B 21/001;  
 G09B 21/002; G09B 21/003; G09B  
 21/004; G09B 21/005

See application file for complete search history.

(56) **References Cited**

U.S. PATENT DOCUMENTS

D681,054 S \* 4/2013 Koh ..... D14/496  
 D708,180 S \* 7/2014 Lee ..... D14/345  
 D713,841 S \* 9/2014 Lim ..... D14/341  
 D716,800 S \* 11/2014 Lee ..... D14/345  
 D719,540 S 12/2014 Lee et al.  
 D719,541 S 12/2014 Lee et al.  
 9,092,196 B2 \* 7/2015 Yoo ..... G06F 1/1641

D745,006 S \* 12/2015 Hirakata ..... D14/341  
 D747,284 S 1/2016 Endo et al.  
 9,348,369 B2 \* 5/2016 Kee ..... G06F 1/1616  
 9,568,948 B2 \* 2/2017 Go ..... G06F 1/1616  
 9,655,235 B2 \* 5/2017 Hwang ..... G09F 9/33  
 9,720,455 B2 \* 8/2017 Jang ..... G06F 1/1681  
 9,791,891 B2 \* 10/2017 Jung ..... G06F 1/1652

FOREIGN PATENT DOCUMENTS

JP Des. 1465491 3/2015  
 KR 30-0689166 4/2013

OTHER PUBLICATIONS

Lenovo flexible Phone and Tablet, posted Jun. 27, 2016, [retrieved Dec. 9, 2017]. Retrieved from Internet, <URL: [https://www.newsfactor.com/story.xhtml?story\\_id=98544](https://www.newsfactor.com/story.xhtml?story_id=98544) >.\*  
 Flexible Tablet Concepts, posted May 15, 2011, [retrieved Dec. 9, 2017]. Retrieved from Internet, <URL: <https://www.trendhunter.com/trends/flex-tablet> >.\*  
 Sony flexible OLED notebook concept gets second outing, posted Oct. 9, 2009, [retrieved Dec. 9, 2017]. Retrieved from Internet, <URL: <http://monitorsolution.blogspot.com/2013/02/flexible-display.html#!/2013/02/flexible-display.html> >.\*  
 Lenovo flexible Phone and Tablet, posted Jun. 27, 2016, [retrieved Dec. 9, 2017]. Retrieved from Internet, <URL: <http://www.aluth.com/2016/06/lenovo-flexible-phone-and-tablet.html> >.\*  
 Sony flexible OLED notebook concept gets second outing, posted Oct. 9, 2009, [retrieved Dec. 9, 2017]. Retrieved from Internet, <URL: <https://www.slashgear.com/sony-flexible-oled-notebook-concept-gets-second-outing-0959805/> >.\*

\* cited by examiner

FIG. 1

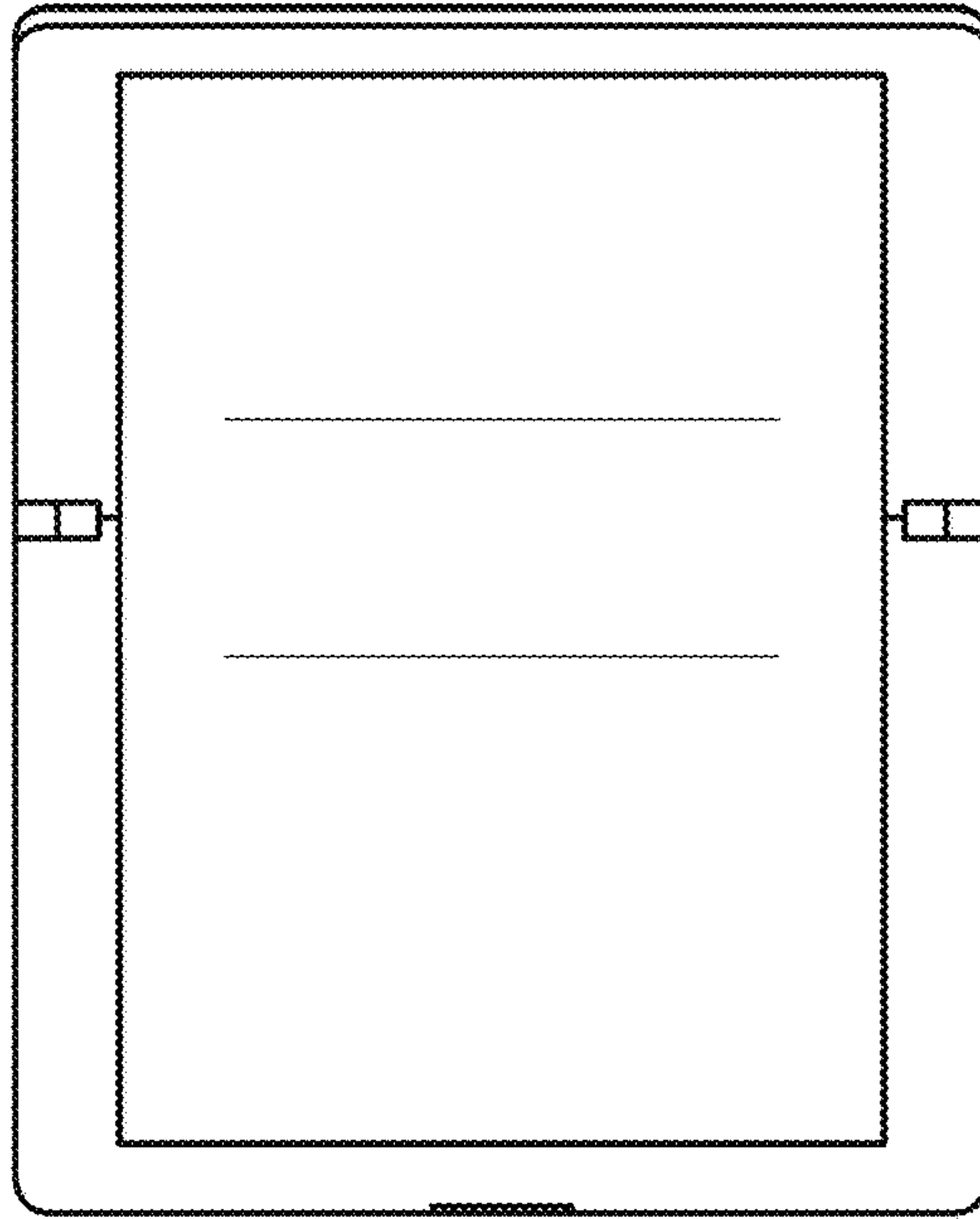


FIG. 2

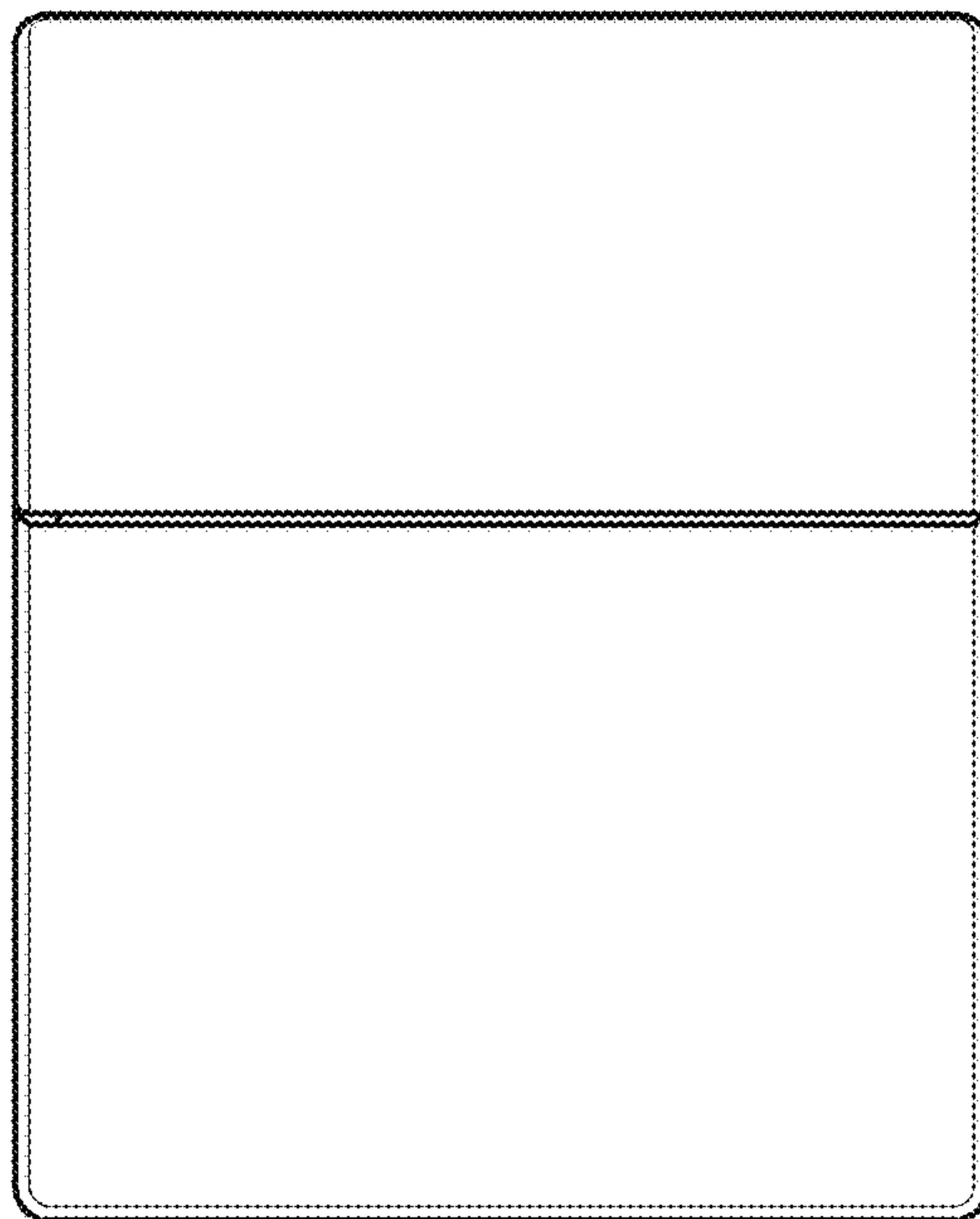


FIG. 3

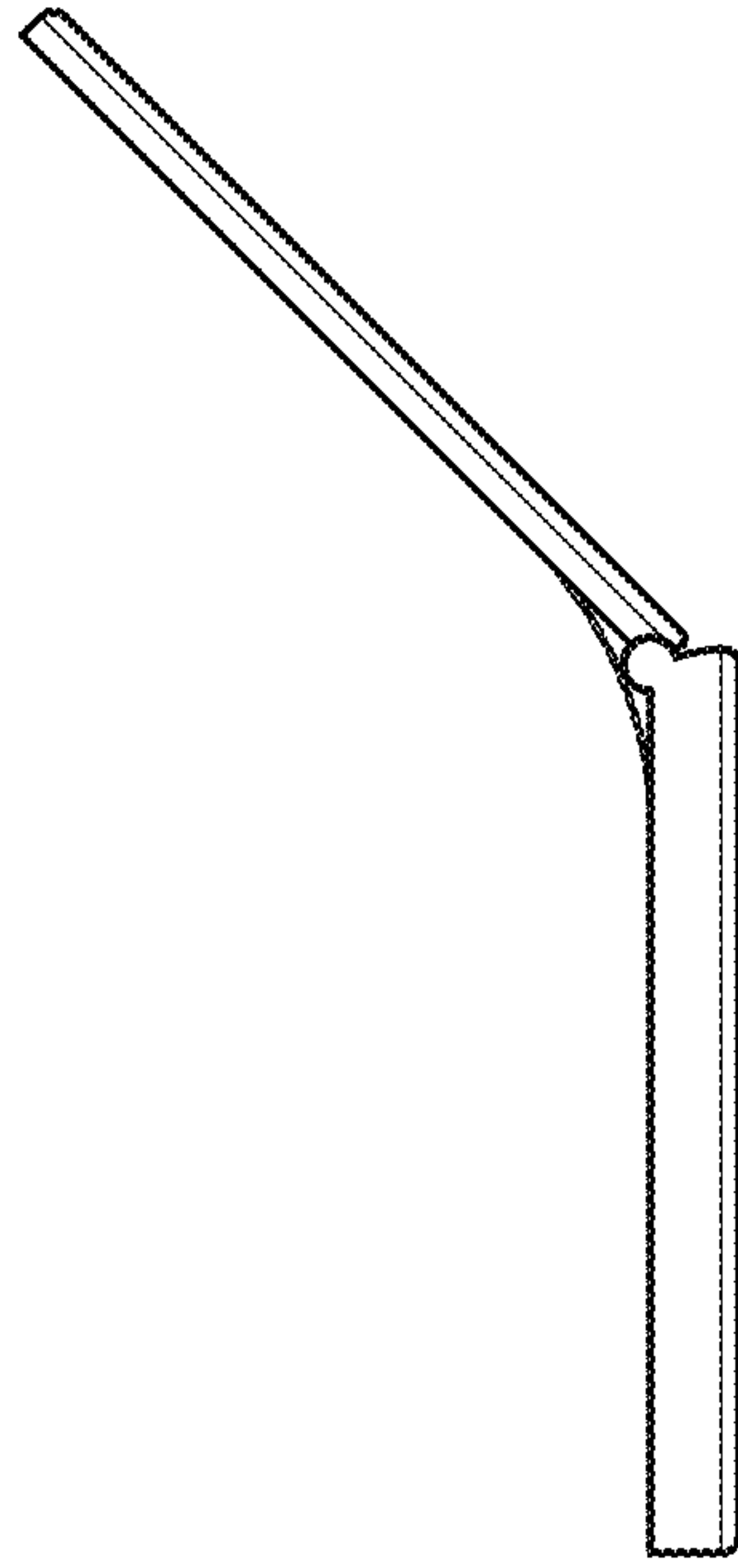


FIG. 4

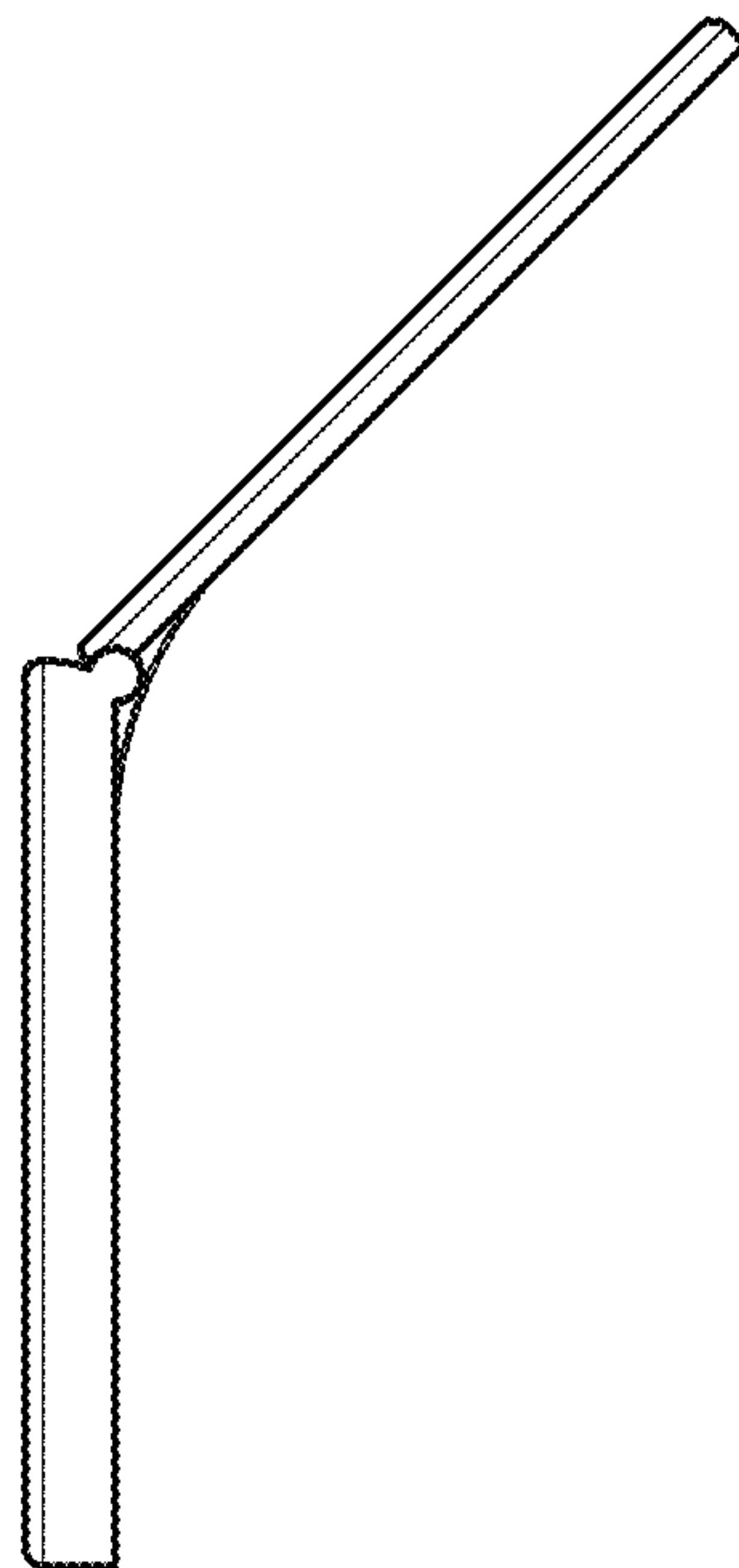


FIG. 5

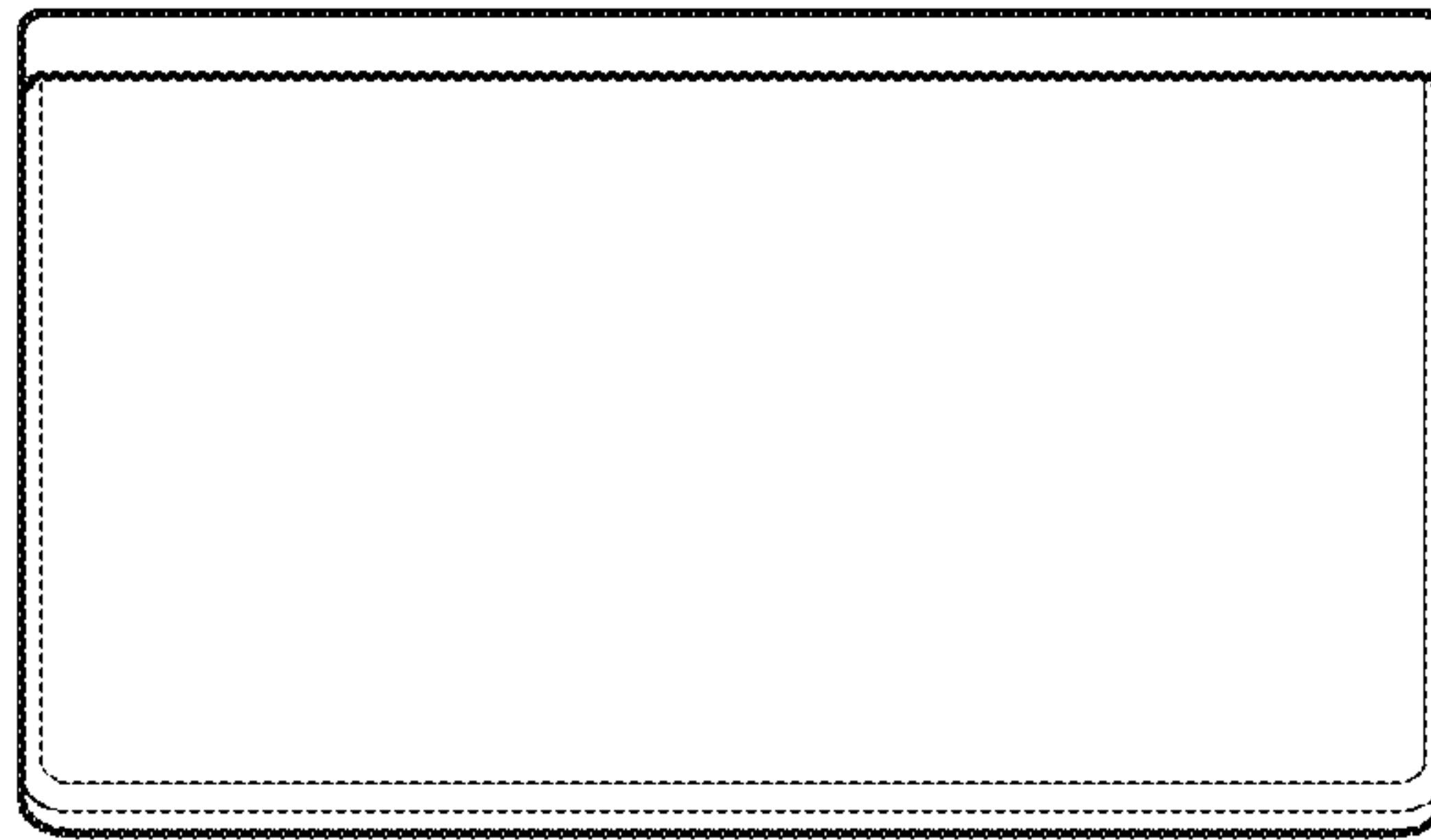


FIG. 6

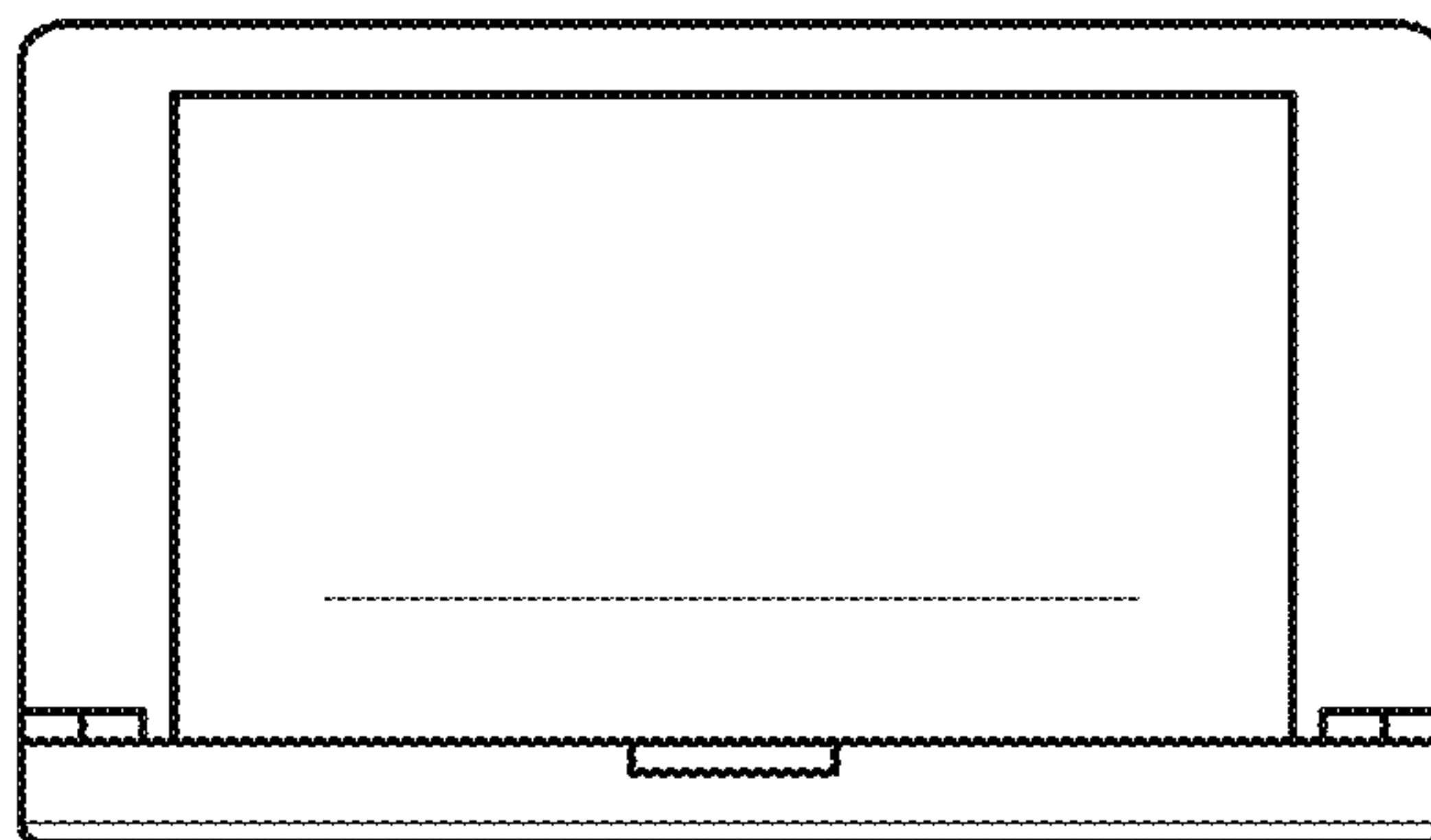




FIG. 7

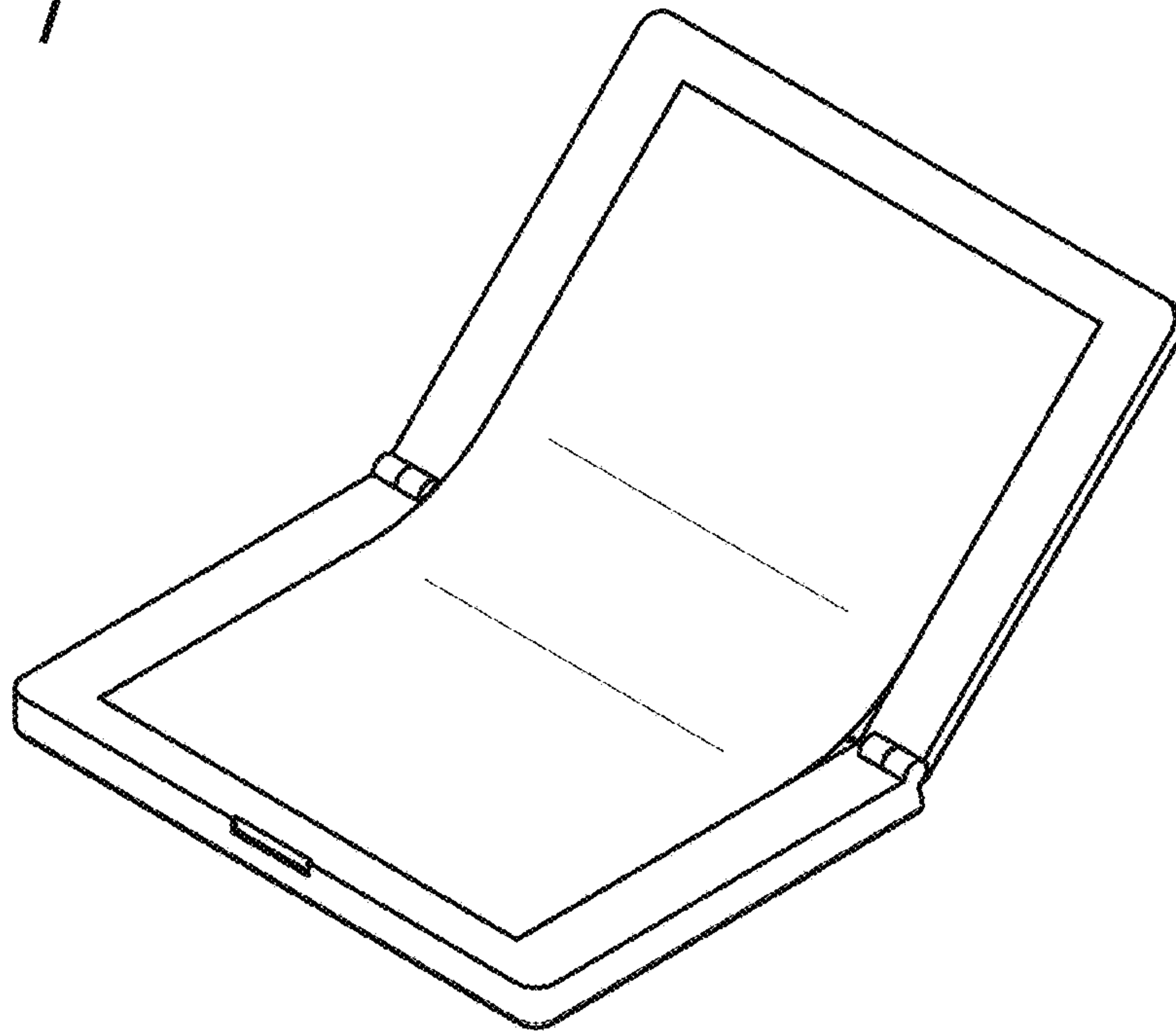


FIG. 8

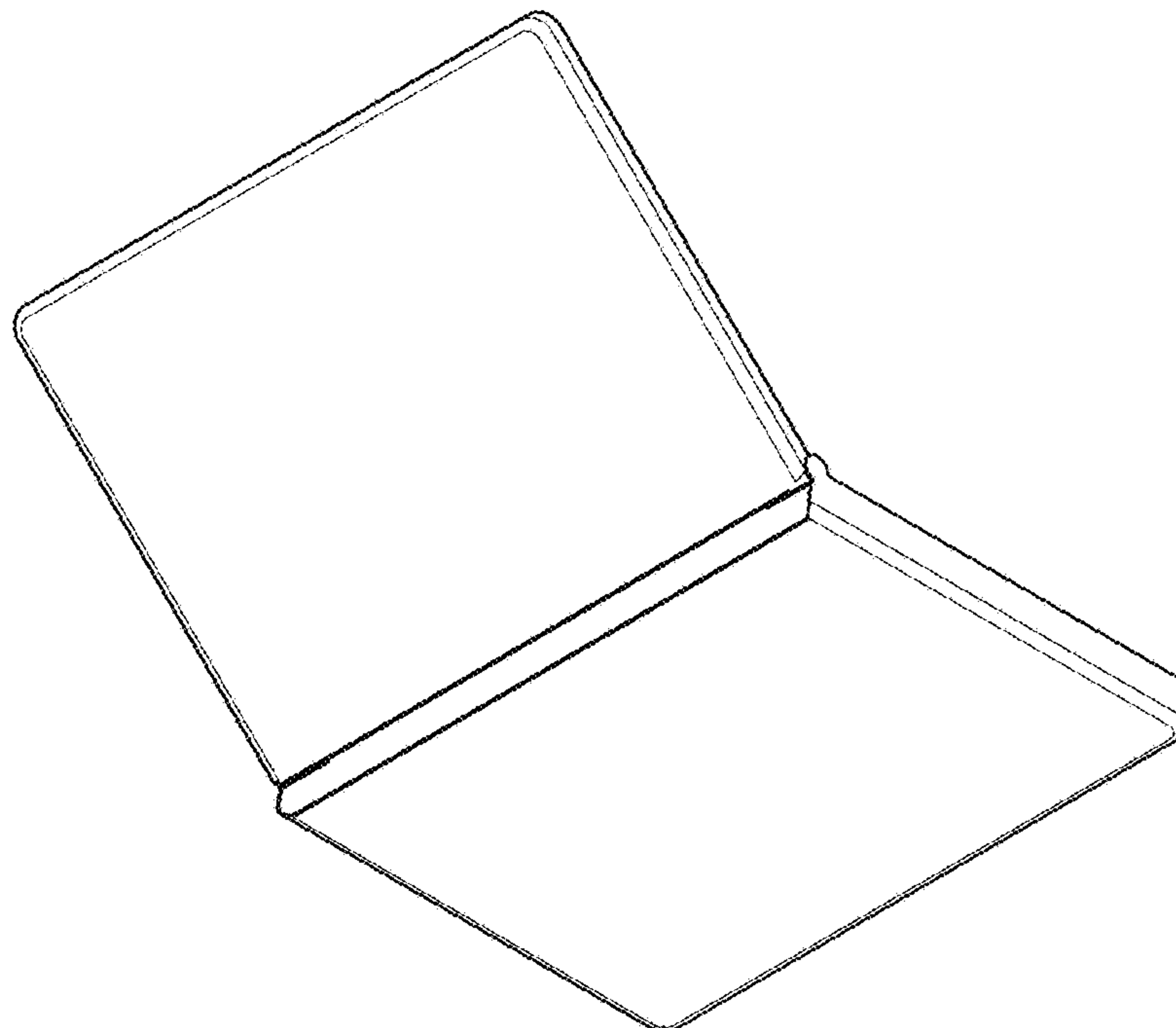


FIG. 9

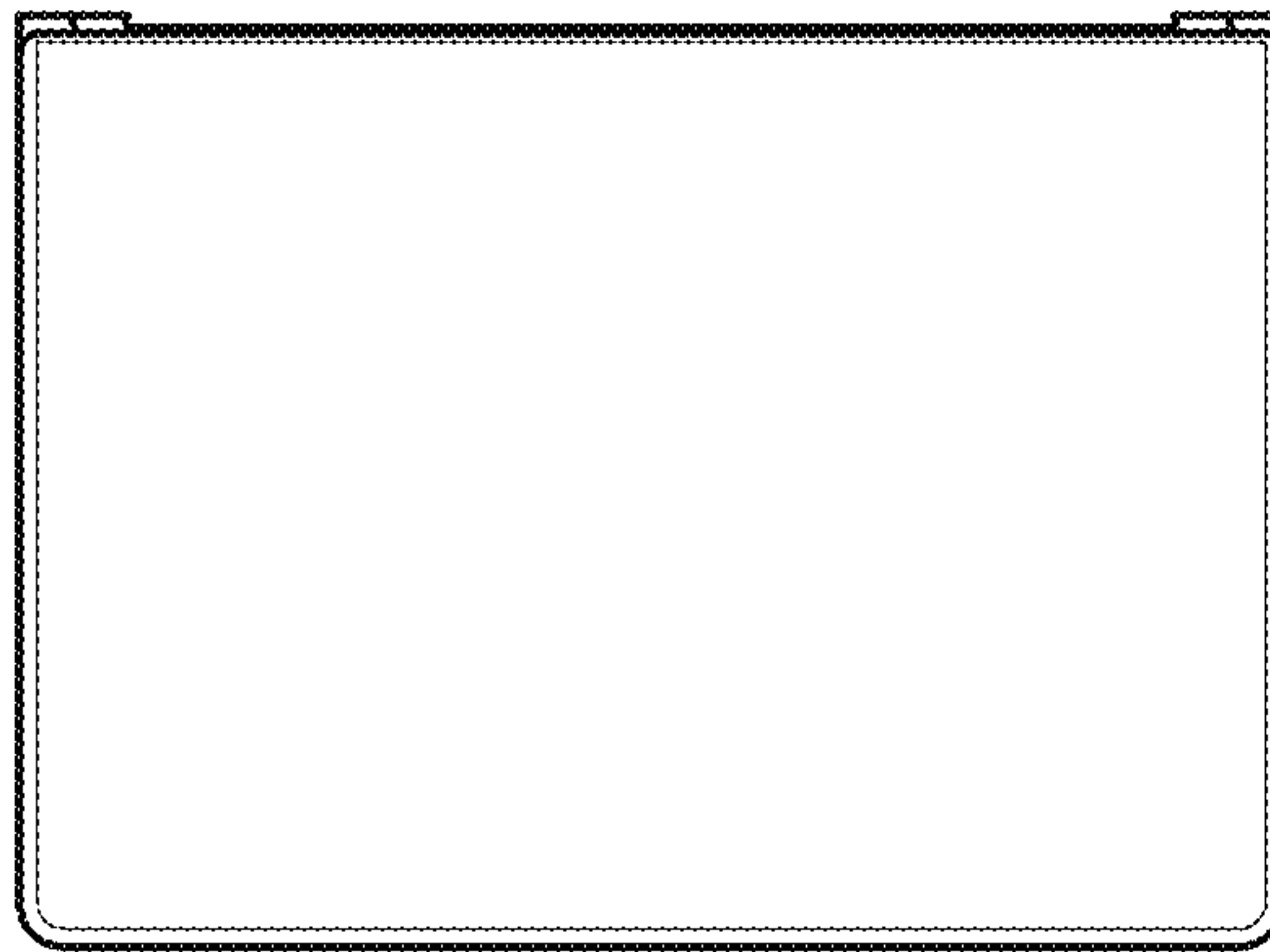


FIG. 10

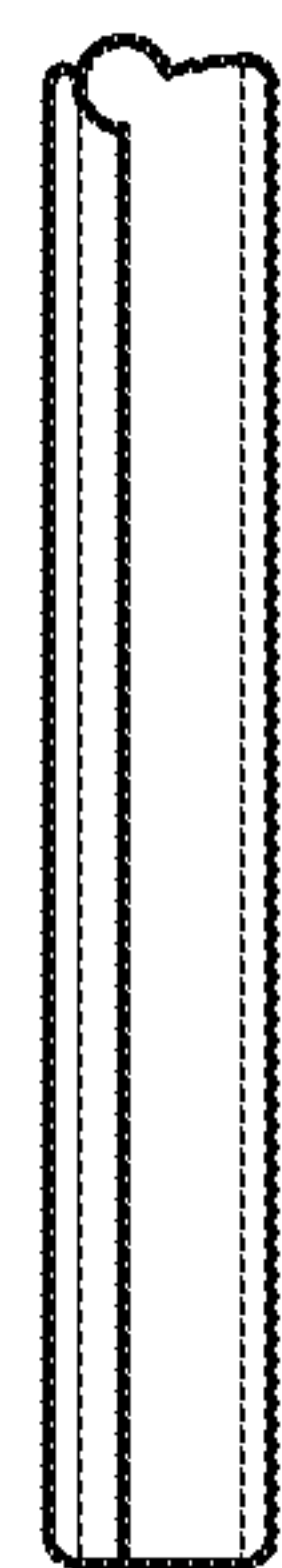


FIG. 11

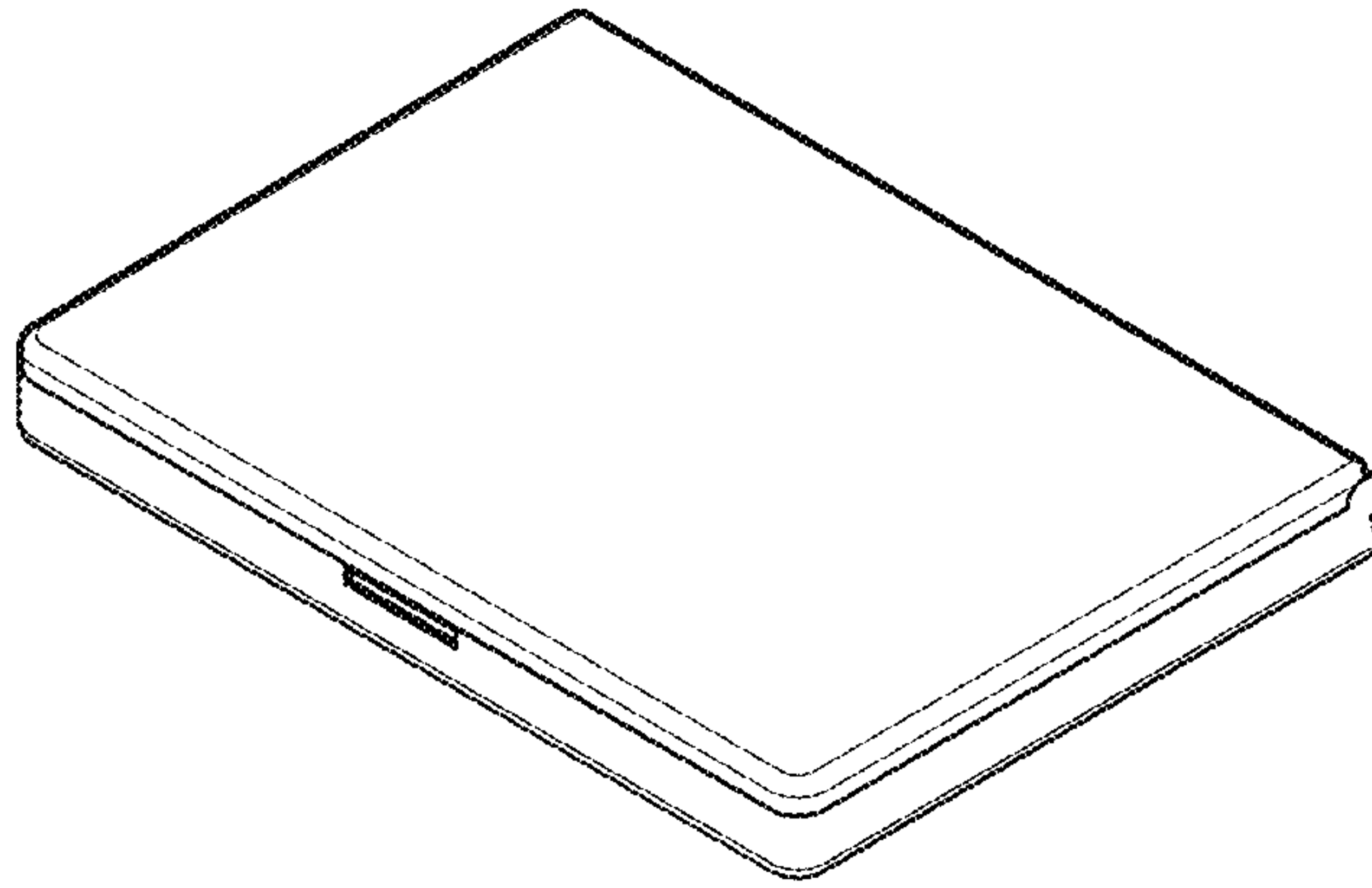


FIG. 12

