



US00D816078S

(12) **United States Design Patent**
Horn et al.

(10) **Patent No.:** **US D816,078 S**

(45) **Date of Patent:** **** Apr. 24, 2018**

- (54) **KIOSK**
- (71) Applicant: **ADVANCED KIOSKS**, Wilmot, NH (US)
- (72) Inventors: **Howard Horn**, Wilmot, NH (US); **Sam Kjellman**, Weare, NH (US); **Nathan Morse**, Pittsfield, NH (US)
- (73) Assignee: **Advanced Kiosks**, Wilmot, NH (US)

- D734,315 S * 7/2015 Masuda D14/307
- D742,870 S * 11/2015 Berini G06F 21/32
D14/307
- D752,032 S * 3/2016 Taylor D14/307
- D774,029 S * 12/2016 Kim D14/307
- D778,276 S * 2/2017 Berini D14/307
- D781,279 S * 3/2017 Horn, II D14/307
- D781,843 S * 3/2017 Horn, II D14/307
- D788,098 S * 5/2017 Thornton D14/307
- D799,470 S * 10/2017 Brown D14/307
- D800,715 S * 10/2017 Kane D14/307

(**) Term: **15 Years**

(21) Appl. No.: **29/598,313**

(22) Filed: **Mar. 24, 2017**

(51) **LOC (11) Cl.** **14-02**

(52) **U.S. Cl.**
USPC **D14/307**

(58) **Field of Classification Search**
USPC D14/167, 154, 168, 188, 496, 156, 160,
D14/161, 162, 163, 164, 165, 158, 253,
D14/192, 159, 155, 138 AB, 137, 104.1,
D14/307; 455/351, 350, 353; D10/104,
D10/106, 65, 78; 340/573.4, 573.1
CPC G08B 13/1672; G08B 13/19645; G08B
25/006; H04M 11/04
See application file for complete search history.

(56) **References Cited**

U.S. PATENT DOCUMENTS

- D696,658 S * 12/2013 Winston D14/307
- D697,505 S * 1/2014 Paton D14/307
- D701,209 S * 3/2014 Lim D14/307

* cited by examiner

Primary Examiner — Austin Murphy

(74) *Attorney, Agent, or Firm* — Grossman, Tucker,
Perreault & Pfeleger, PLLC

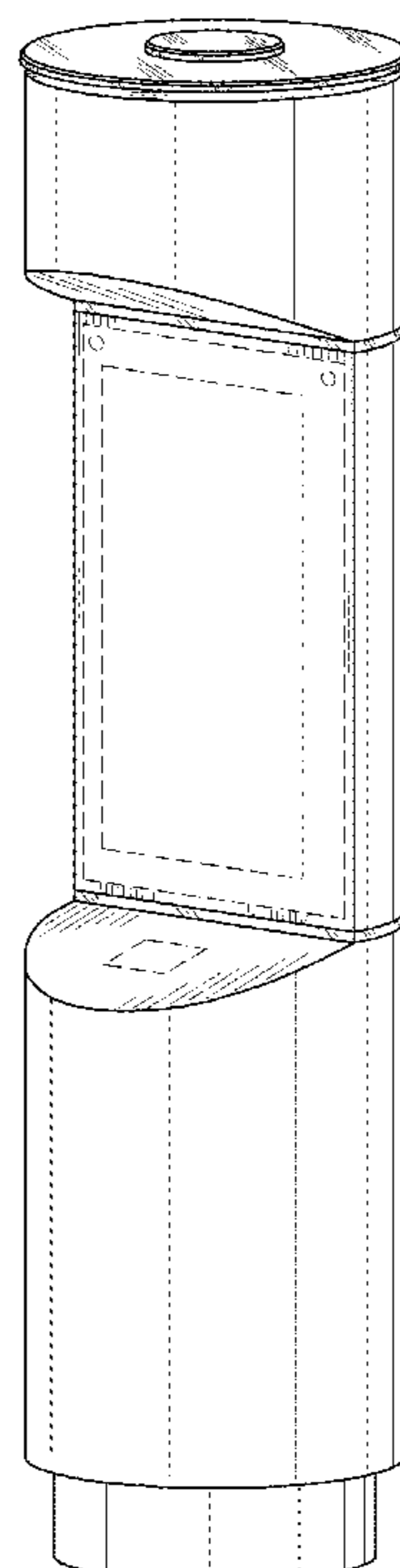
(57) **CLAIM**

The ornamental design of a kiosk, substantially as shown and described.

DESCRIPTION

FIG. 1 is a front perspective view of a kiosk showing our new design;
FIG. 2 is a front view thereof;
FIG. 3 is a rear view thereof;
FIG. 4 is a right side view thereof (the left side view is the same as the right side view);
FIG. 5 is a top view thereof; and,
FIG. 6 is a bottom view thereof.
The broken lines are included for the purpose of illustrating the unclaimed portions of the article and form no part of the claim.

1 Claim, 5 Drawing Sheets



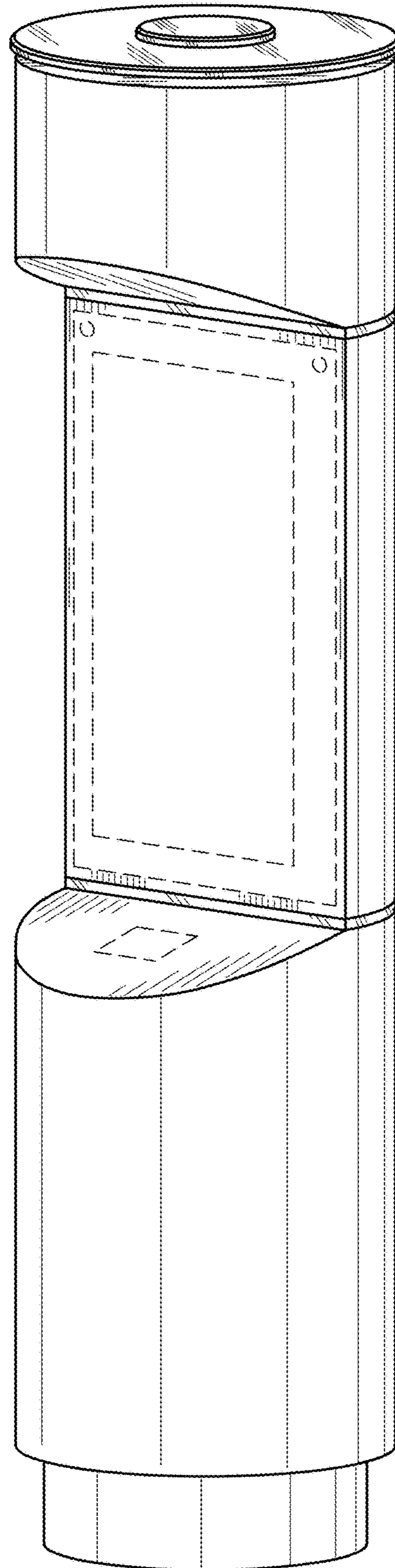


FIG. 1

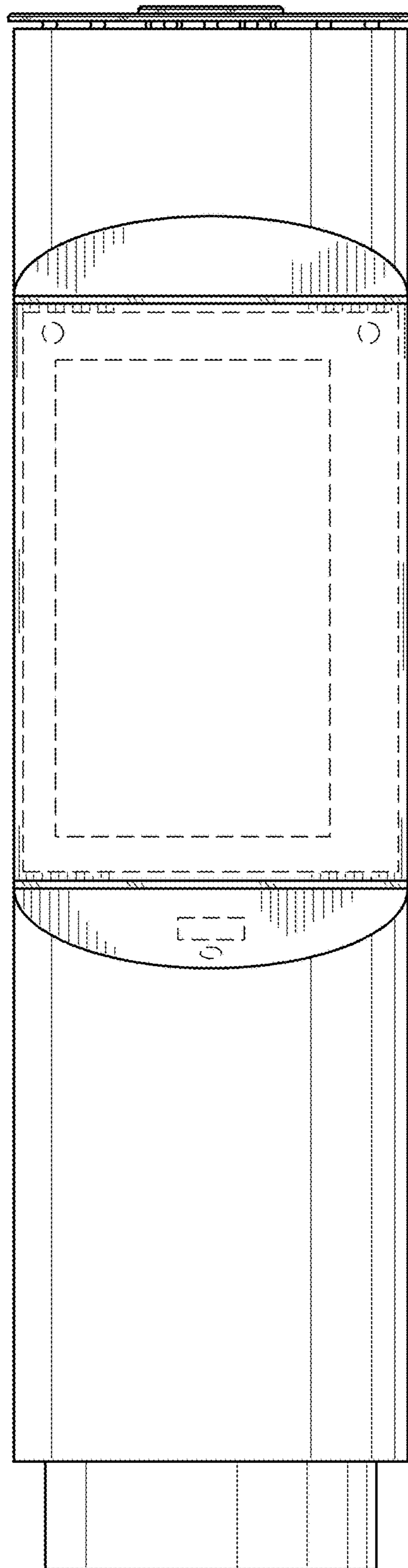


FIG. 2

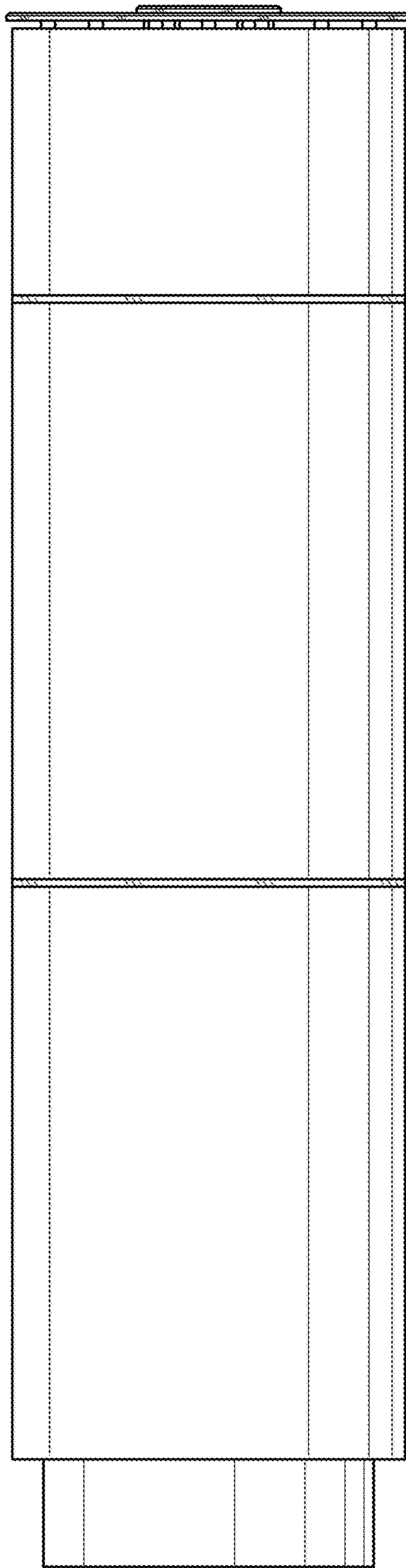


FIG. 3

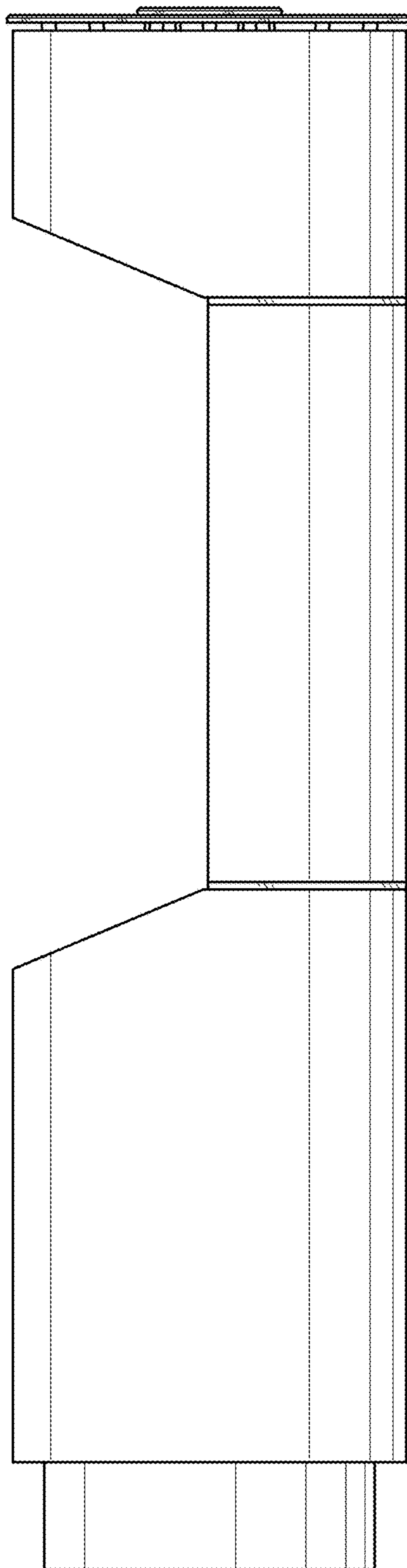


FIG. 4

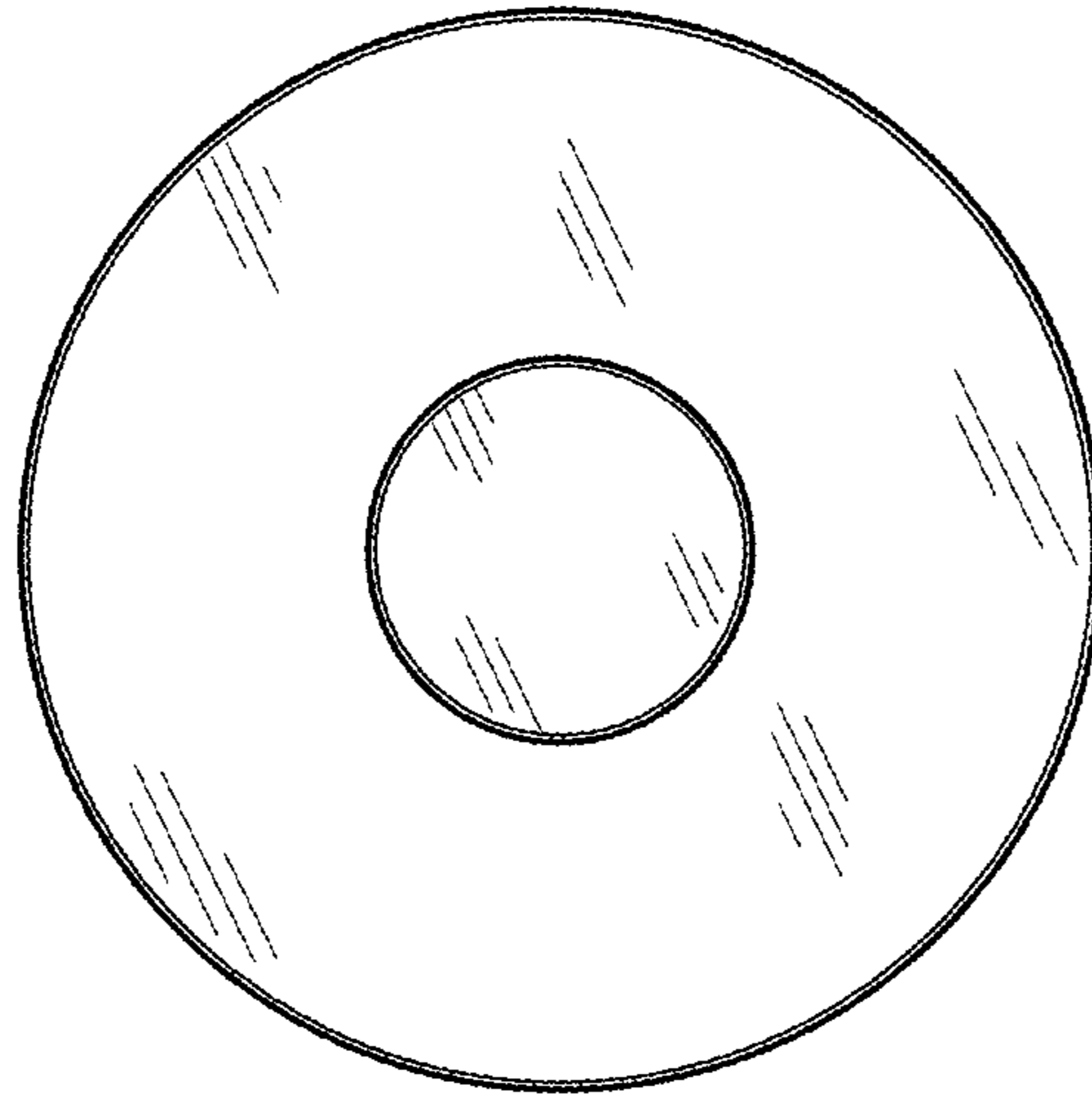


FIG. 5

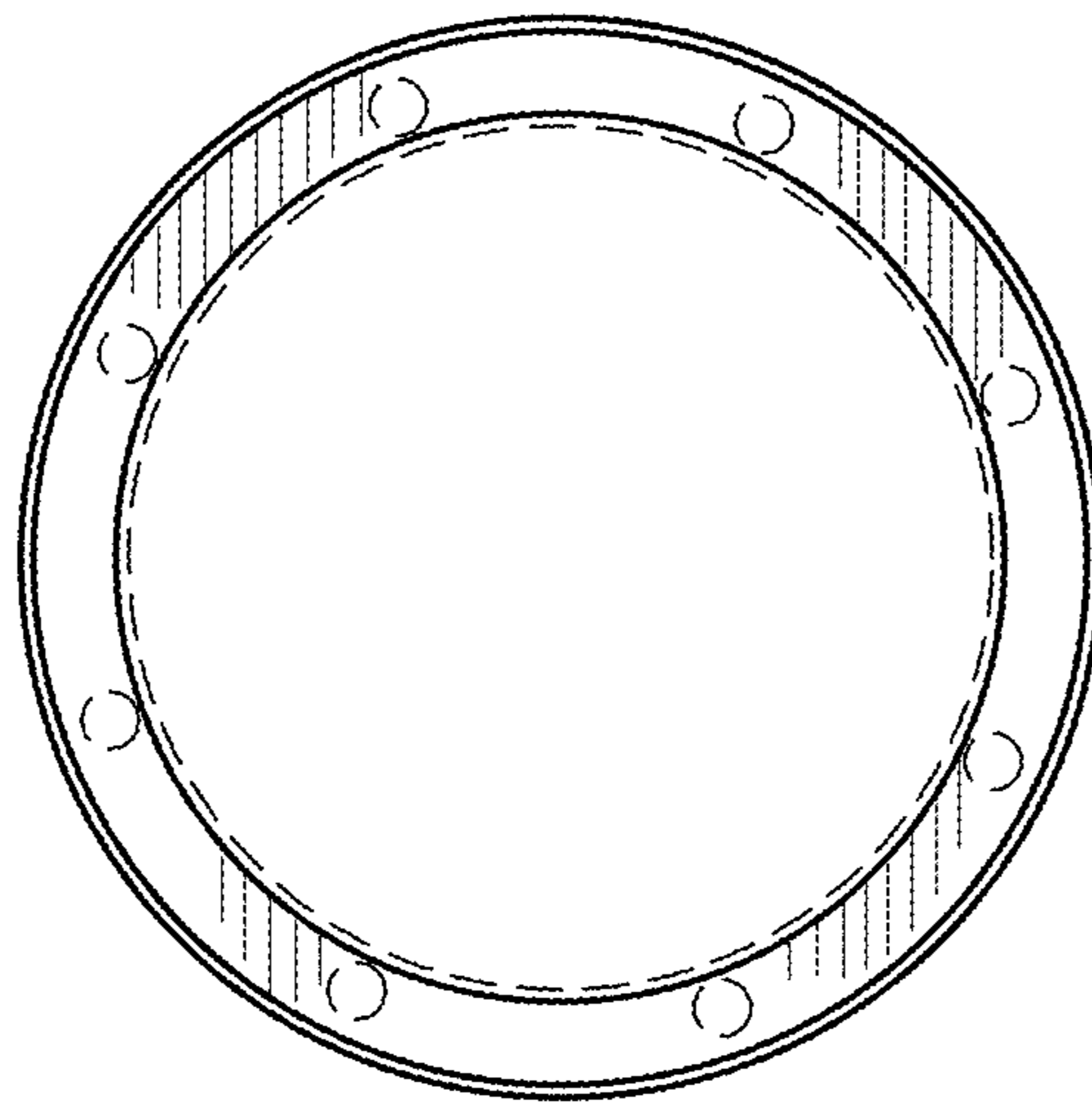


FIG. 6