



US00D816077S

(12) **United States Design Patent** (10) **Patent No.:** **US D816,077 S**  
**Benic et al.** (45) **Date of Patent:** **\*\* Apr. 24, 2018**

(54) **KIOSK**  
(71) Applicants: **Denis Benic**, Lenart (SI); **Jonathan M. Manzi**, Oakland, CA (US)  
(72) Inventors: **Denis Benic**, Lenart (SI); **Jonathan M. Manzi**, Oakland, CA (US)  
(\*\*) Term: **15 Years**  
(21) Appl. No.: **29/564,765**  
(22) Filed: **May 16, 2016**  
(51) **LOC (11) Cl.** ..... **14-02**  
(52) **U.S. Cl.**  
USPC ..... **D14/307**  
(58) **Field of Classification Search**  
USPC ..... D14/302-307, 900-902; D13/163;  
D20/10; D21/332, 325, 369, 370;  
D99/28; D6/397, 466; 194/206;  
361/679.01, 679.02, 679.04, 679.21,  
361/679.57, 725  
CPC ..... G06Q 20/18; G06Q 20/10; G06Q 20/123;  
G06Q 20/20; G06Q 30/02; G06Q 30/06;  
A47F 9/047  
See application file for complete search history.

D762,635 S \* 8/2016 Szeredi ..... D14/307  
D774,504 S \* 12/2016 Hoover ..... D14/307  
D778,276 S \* 2/2017 Berini ..... D14/307  
D788,098 S \* 5/2017 Thornton ..... D14/307  
2003/0001010 A1\* 1/2003 Schmidt ..... A47F 9/04  
235/385  
2006/0073883 A1\* 4/2006 Franks, Jr. .... G06Q 30/02  
463/25  
2009/0289104 A1\* 11/2009 Yoneda ..... G06F 1/16  
235/375  
2011/0192681 A1\* 8/2011 Johnson ..... A47F 10/02  
186/52  
2013/0215275 A1\* 8/2013 Berini ..... G06F 21/32  
348/150  
2013/0226632 A1\* 8/2013 Gilbert ..... B64F 1/366  
705/5

\* cited by examiner

*Primary Examiner* — Austin Murphy  
(74) *Attorney, Agent, or Firm* — Morgan, Lewis & Bockius LLP

(57) **CLAIM**

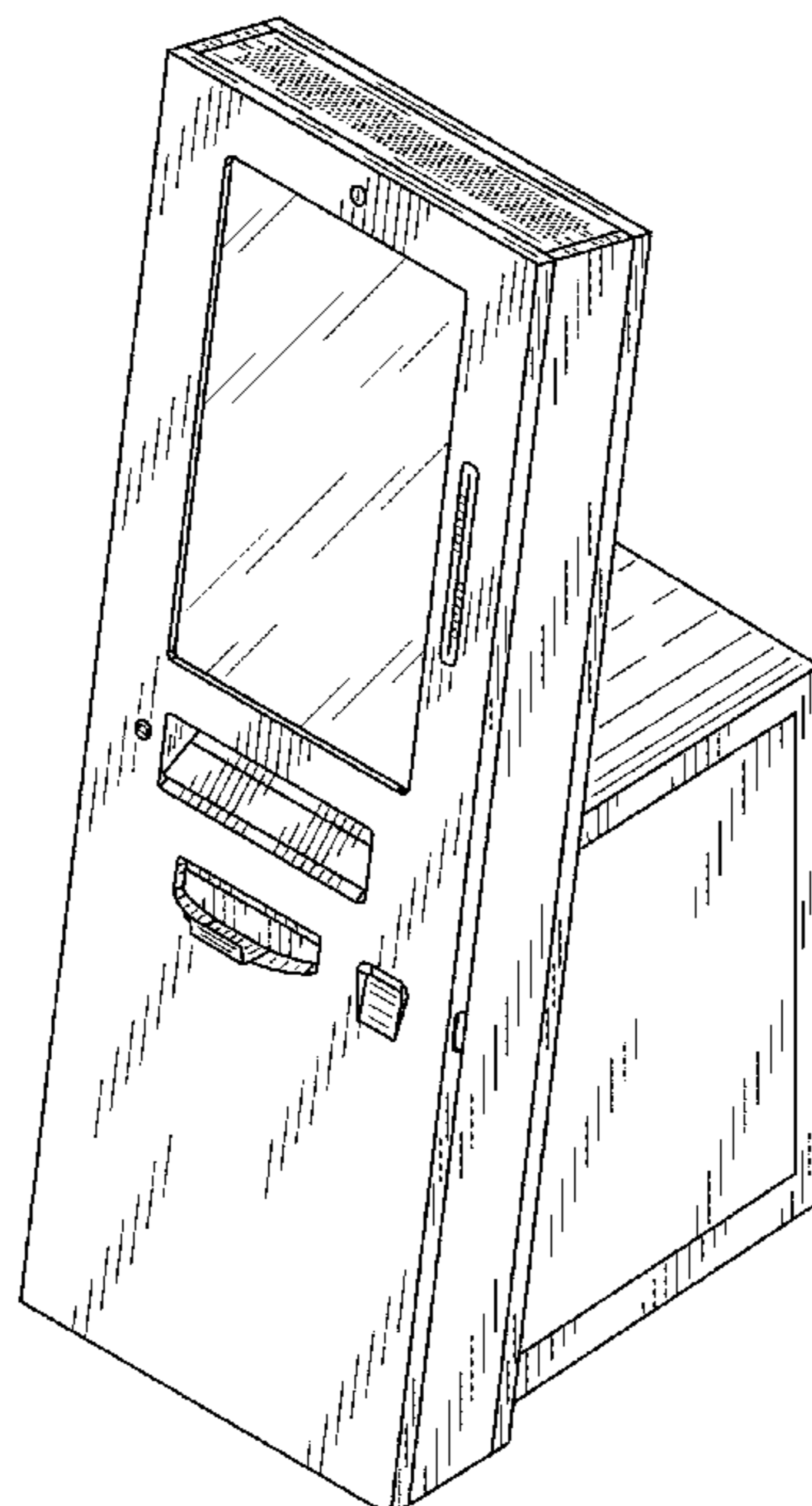
An ornamental design for a kiosk, as shown and described.

**DESCRIPTION**

FIG. 1 is a perspective view of a kiosk, showing our new design;  
FIG. 2 is a front view thereof;  
FIG. 3 is a back view thereof;  
FIG. 4 is a first side view thereof;  
FIG. 5 is a second side view thereof;  
FIG. 6 is a top view thereof; and,  
FIG. 7 is a bottom view thereof.  
The broken lines illustrating certain elements on the kiosk are for illustrative purposes only and form no part of the claimed design.

**1 Claim, 7 Drawing Sheets**

(56) **References Cited**  
U.S. PATENT DOCUMENTS  
D591,078 S \* 4/2009 Singler ..... D14/307  
D702,415 S \* 4/2014 Kimoto ..... D99/43  
D708,676 S \* 7/2014 Ballman ..... D14/307  
D742,870 S \* 11/2015 Berini ..... G06F 21/32  
D14/307  
D743,956 S \* 11/2015 Kraft ..... D14/307  
D751,061 S \* 3/2016 Berini ..... D14/307  
D752,573 S \* 3/2016 Ballman ..... D14/307  
D760,711 S \* 7/2016 Berini ..... D14/307



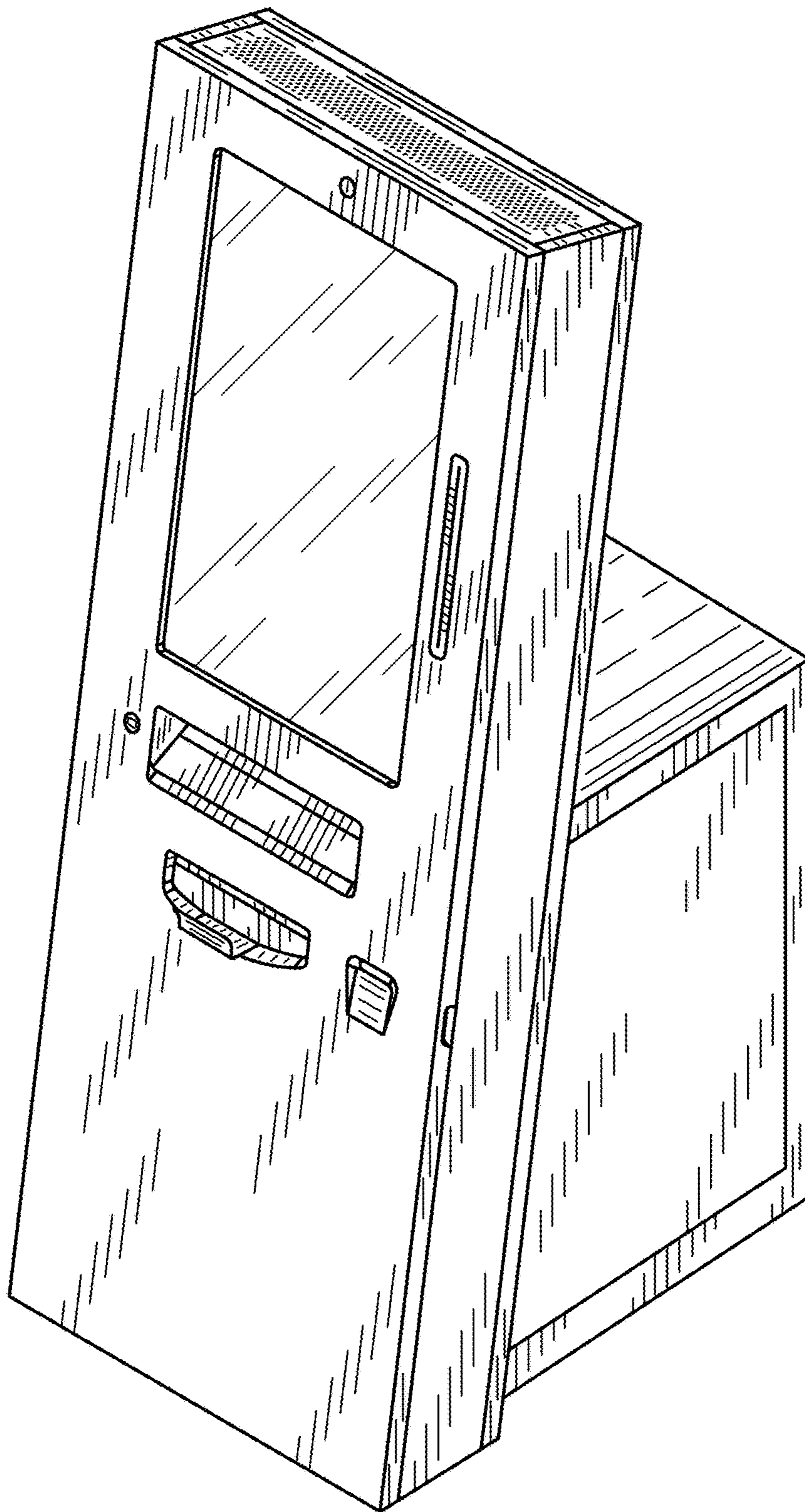


FIG. 1

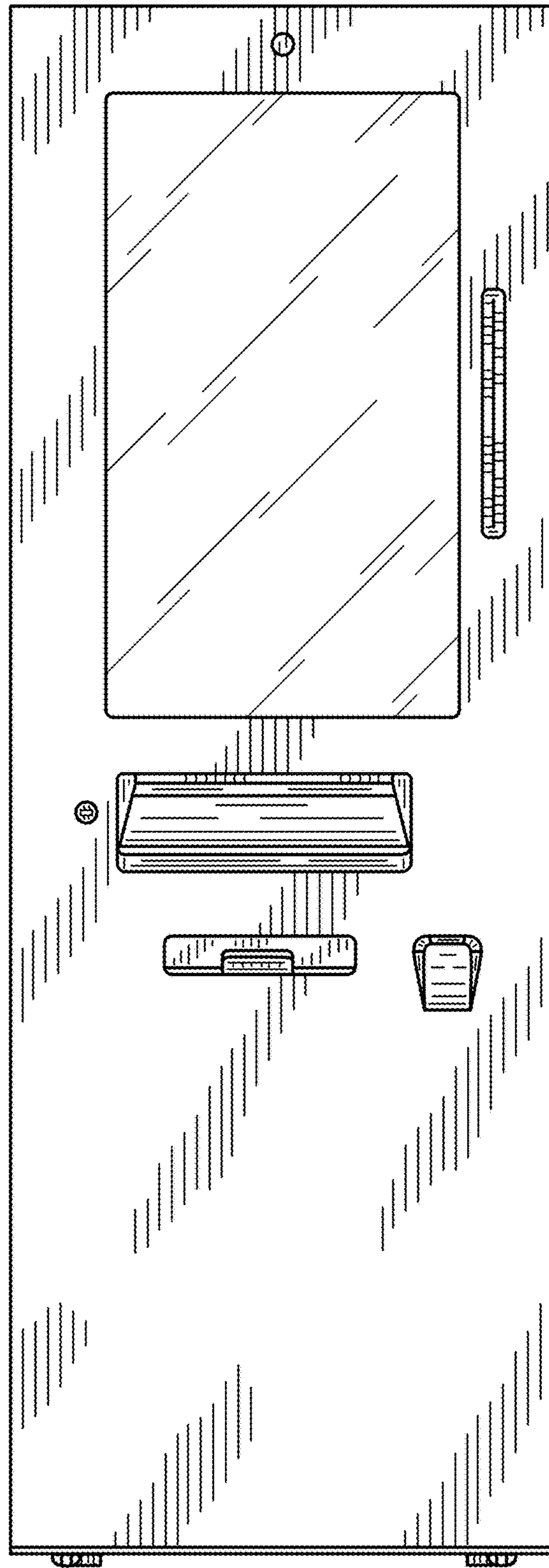


FIG. 2

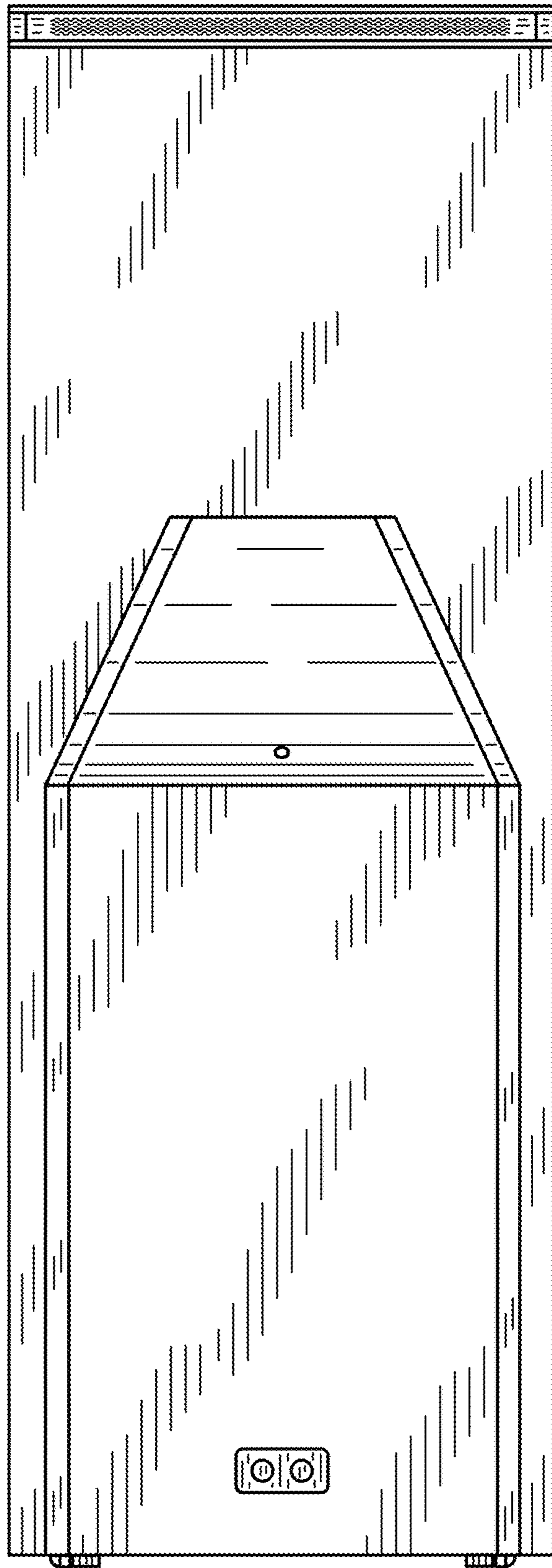


FIG. 3

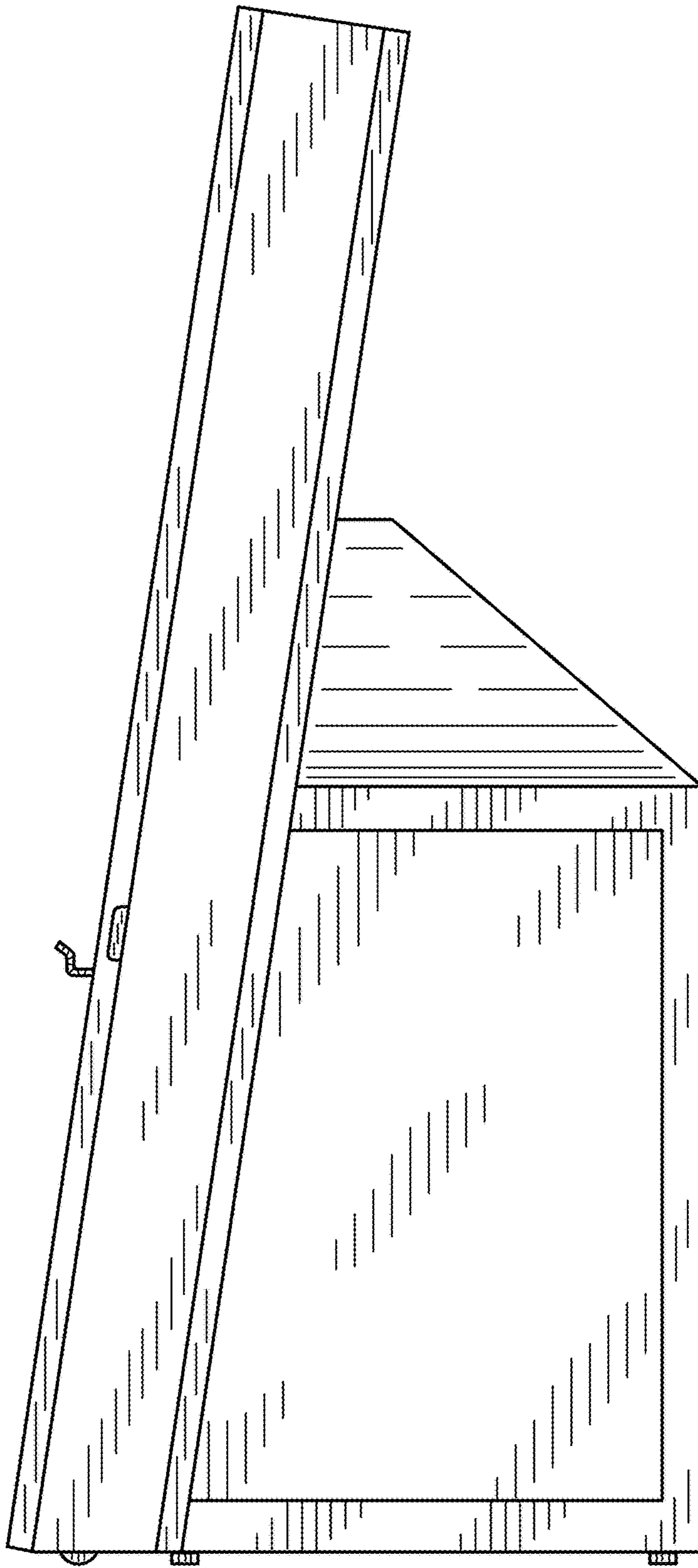


FIG. 4

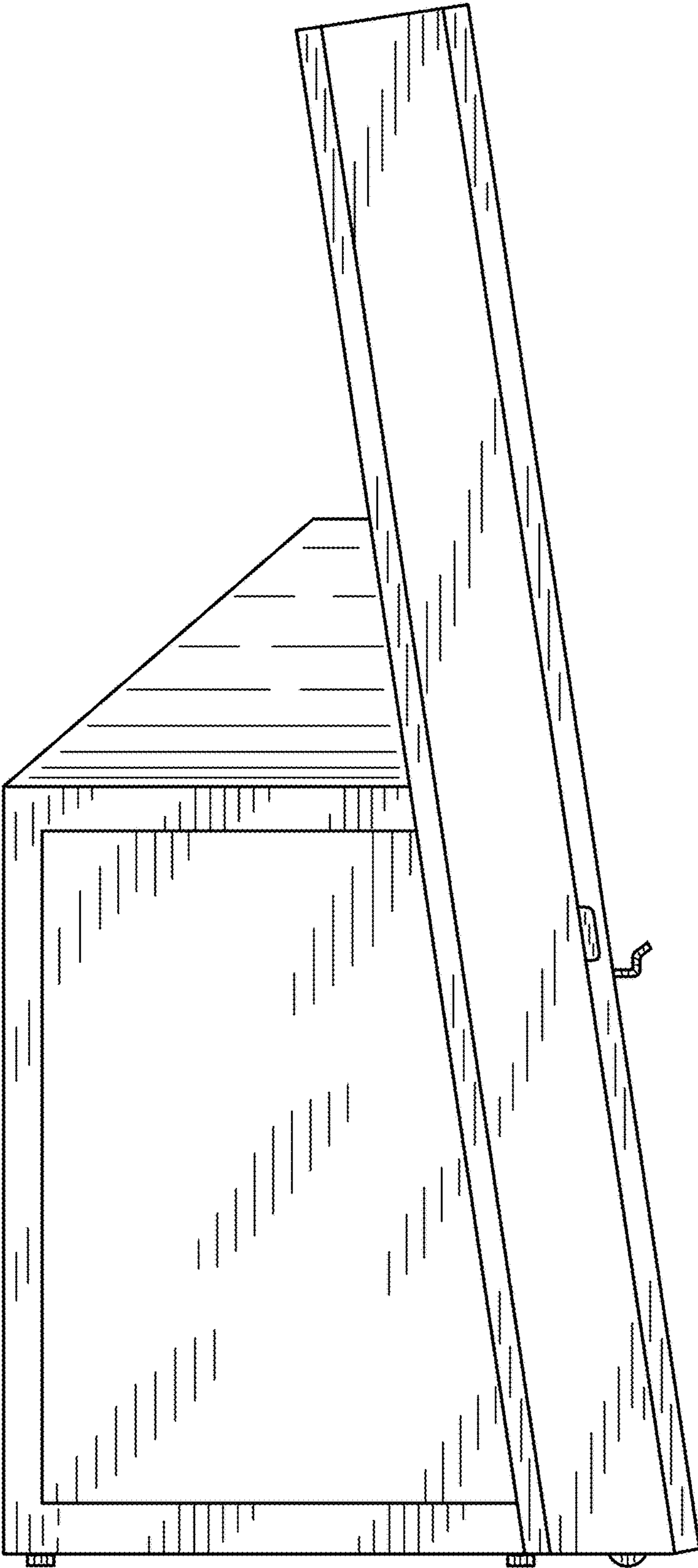


FIG. 5

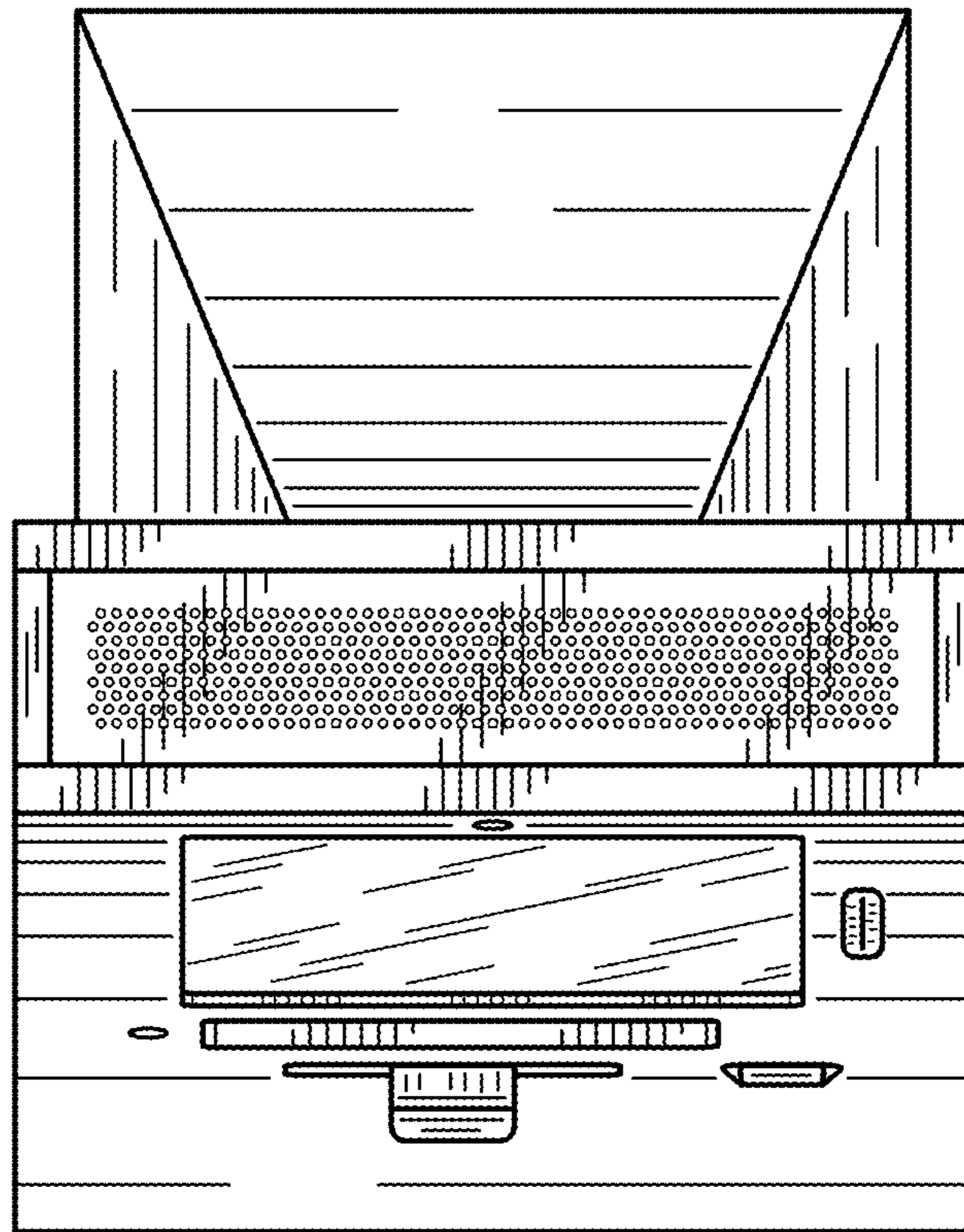


FIG. 6

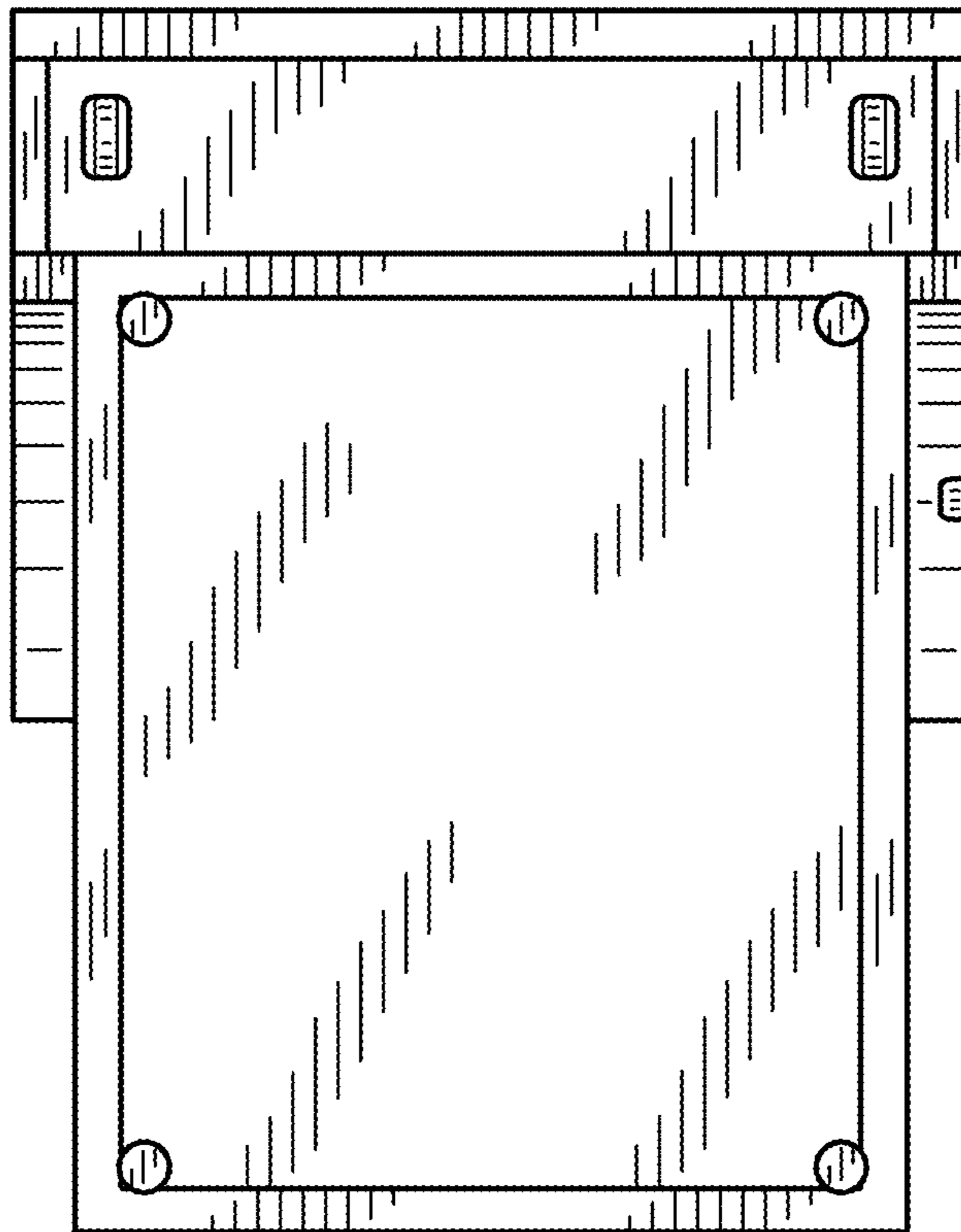


FIG. 7