



US00D816069S

(12) **United States Design Patent** (10) **Patent No.:** **US D816,069 S**
Burke (45) **Date of Patent:** **** Apr. 24, 2018**

(54) **ANTENNA**
(71) Applicant: **Marde Burke**, Edmond, OK (US)
(72) Inventor: **Marde Burke**, Edmond, OK (US)
(73) Assignee: **Jasco Products Company LLC**,
Oklahoma City, OK (US)
(**) Term: **15 Years**
(21) Appl. No.: **29/569,517**
(22) Filed: **Jun. 28, 2016**
(51) **LOC (11) Cl.** **14-03**
(52) **U.S. Cl.**
USPC **D14/230**
(58) **Field of Classification Search**
USPC D14/138, 230, 231, 232, 233, 234, 235,
D14/236, 237, 238, 238.1, 299, 358;
D13/175, 182
CPC G01R 29/10; G01S 2013/0245; G01S
2013/0254; G01S 2013/0263; G01S
7/4026; G05B 2219/45001; G06K
19/07773; G06K 19/07775; G06K
19/07777; G08B 13/2468; G08B 13/2477;
H01Q 1/088
See application file for complete search history.

D543,076 S * 5/2007 Ben-Shlomo D14/230
D550,217 S * 9/2007 Schneider D14/230
D552,088 S * 10/2007 Schneider D14/230
D568,311 S 5/2008 Kutaragi et al.
D595,281 S 6/2009 Chiba et al.
D621,391 S 8/2010 Douglas et al.
D623,173 S 9/2010 Ho
D663,293 S 7/2012 MacManus et al.
D664,126 S 7/2012 Feit
D673,534 S 1/2013 Bailey
D697,059 S 1/2014 Miller
D698,765 S 2/2014 Bremaud
D707,663 S 6/2014 Poddaturi

(Continued)

OTHER PUBLICATIONS

<https://www.amazon.com/GE-34137-UltraPro-Antenna-Channels/dp/B01BY033T4/>—Available for purchase as early as Feb. 12, 2016.*

Primary Examiner — Manpreet S Matharu
Assistant Examiner — Mojtaba Tehrani
(74) *Attorney, Agent, or Firm* — Resolution Legal Group;
Bruce LaBrie

(57) **CLAIM**

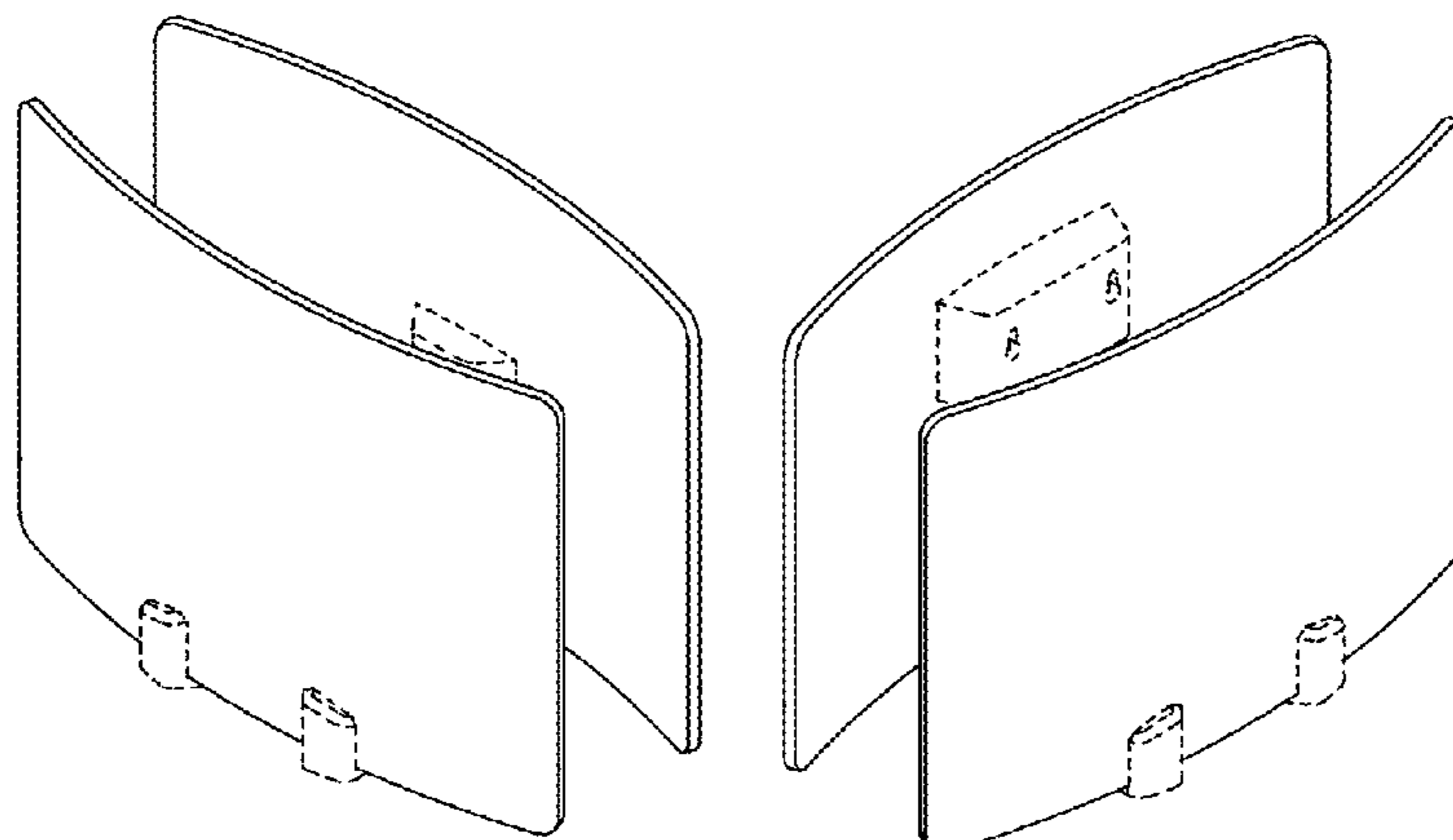
The ornamental design for an antenna, as shown and described.

DESCRIPTION

FIG. 1 is a right perspective view an antenna showing my new design;
FIG. 2 is a left perspective view thereof;
FIG. 3 is a front elevational view thereof;
FIG. 4 is a right elevational view thereof;
FIG. 5 is a left elevational view thereof;
FIG. 6 is a top plan view thereof; and,
FIG. 7 is a bottom plan view thereof.
The structural features depicted by broken lines have been shown for the purpose of illustrating portions of the antenna that form no part of the claimed design.

1 Claim, 2 Drawing Sheets

(56) **References Cited**
U.S. PATENT DOCUMENTS
D209,402 S * 11/1967 Burlingame D14/234
D365,347 S * 12/1995 Geneve D14/230
D394,266 S 5/1998 Hogenbirk
D407,076 S 3/1999 Renk
D413,313 S * 8/1999 Henderson D14/137
D438,532 S 3/2001 Gargani et al.
D464,340 S 8/2002 Schmidt
D481,031 S * 10/2003 Wang D14/235
D484,120 S 12/2003 Yin et al.
D501,000 S * 1/2005 Wang D14/235
D532,784 S 11/2006 Kutaragi et al.
D542,601 S * 5/2007 Ben-Shlomo D14/230



(56)

References Cited

U.S. PATENT DOCUMENTS

D711,357 S	8/2014	McDonnell	
D717,282 S	11/2014	Forster	
D719,141 S	12/2014	Chou et al.	
D730,328 S	5/2015	Chun et al.	
D754,641 S	4/2016	Suleiman	
9,698,491 B2 *	7/2017	Lee	H01Q 15/162
2016/0156107 A1 *	6/2016	Lee	H01Q 15/162 343/840

* cited by examiner

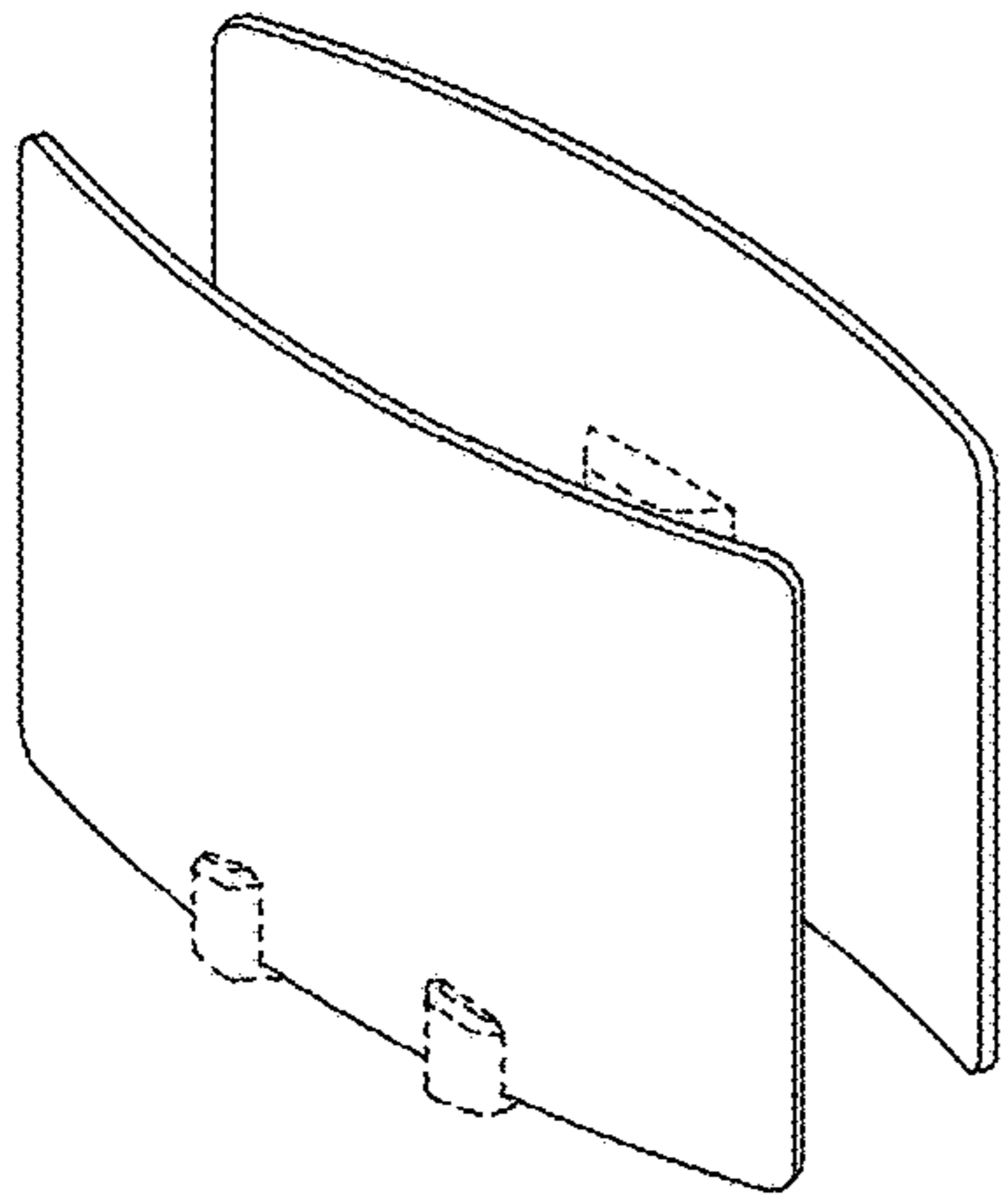


FIG. 1

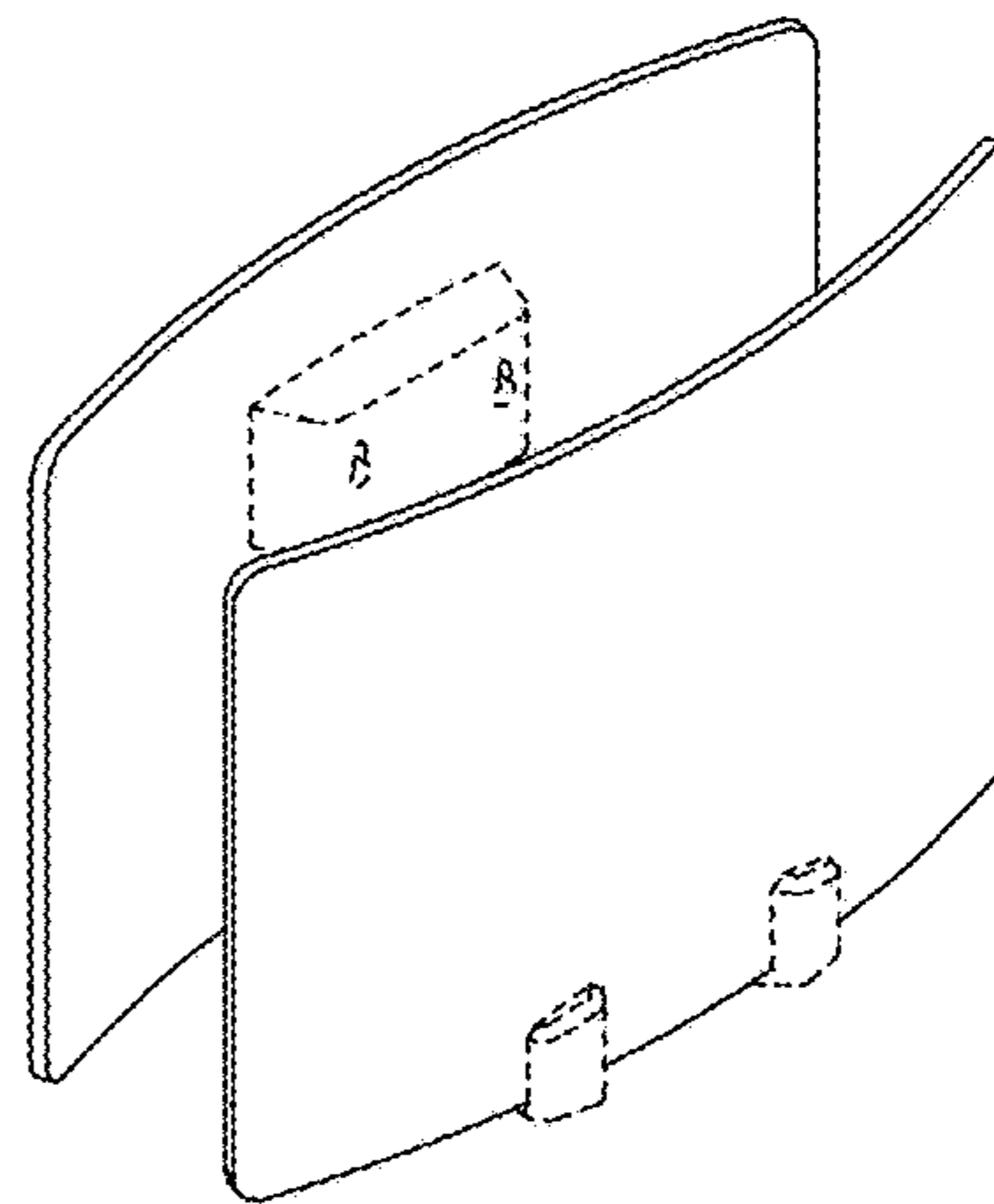


FIG. 2

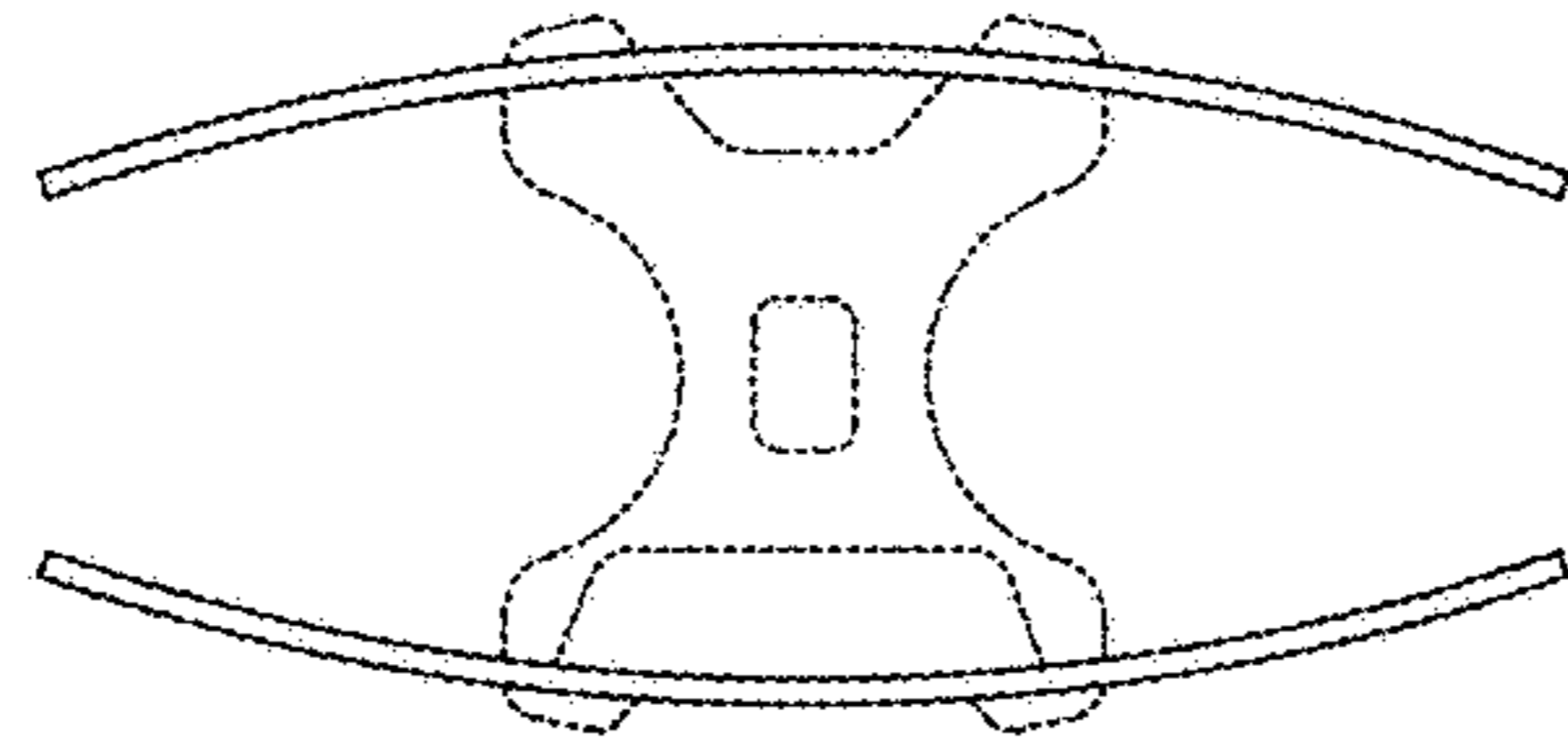


FIG. 6

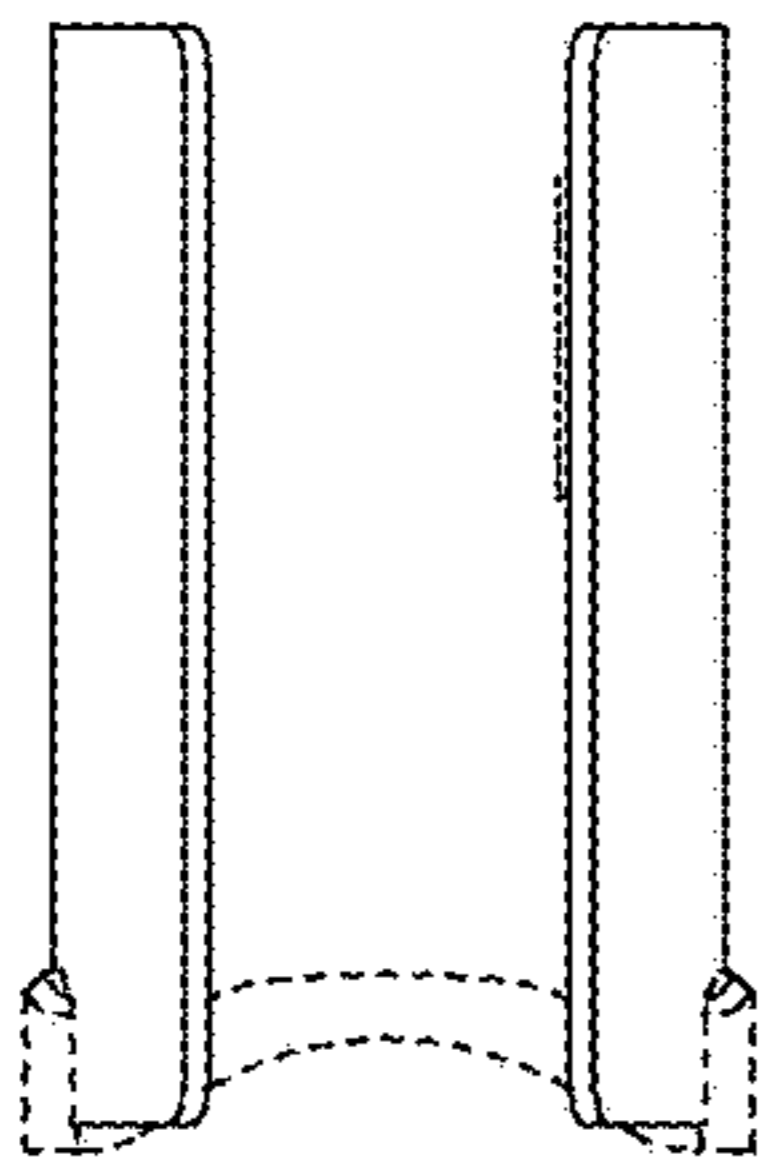


FIG. 4

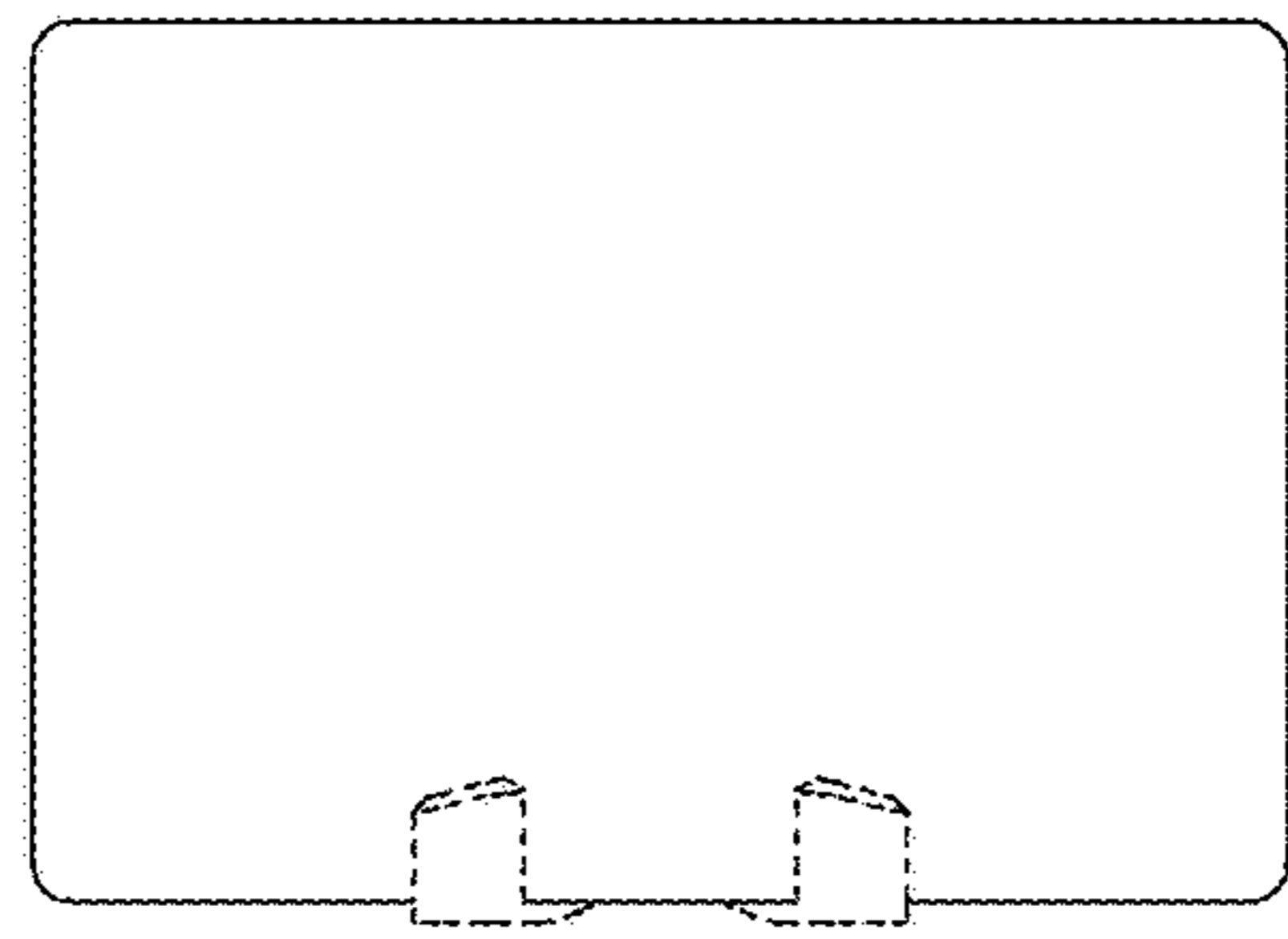


FIG. 3

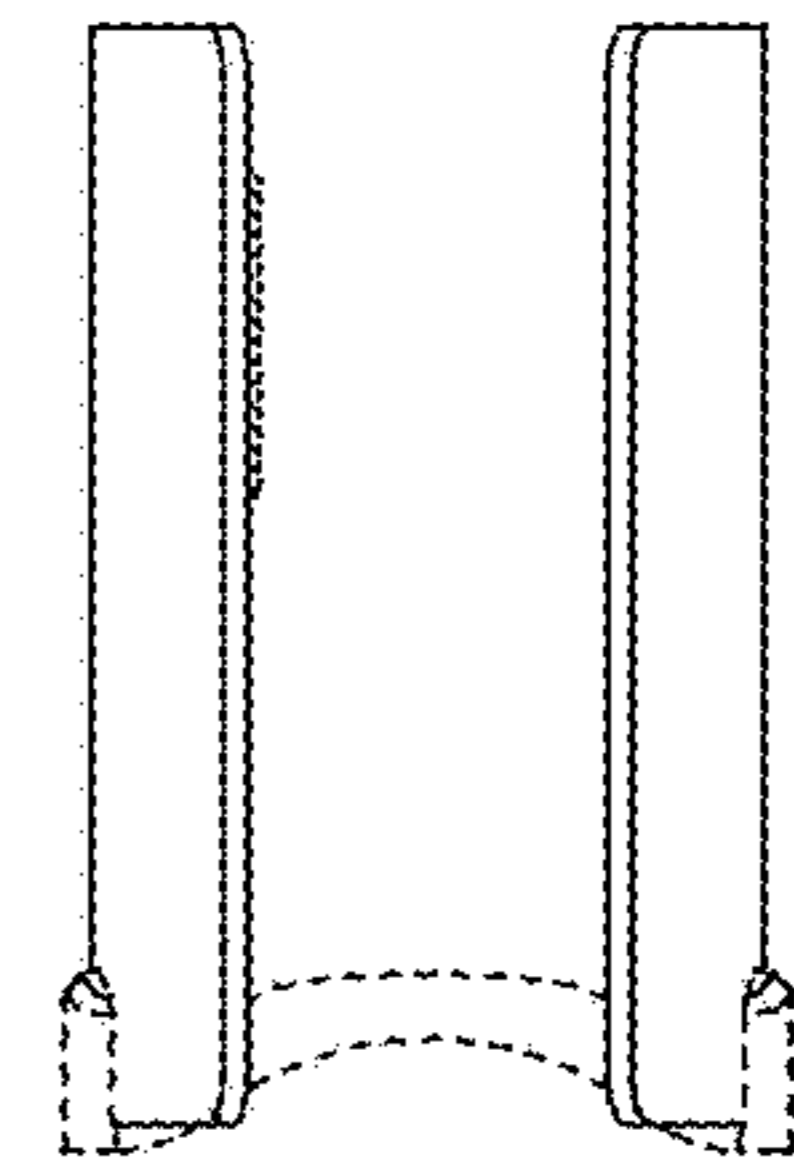


FIG. 5

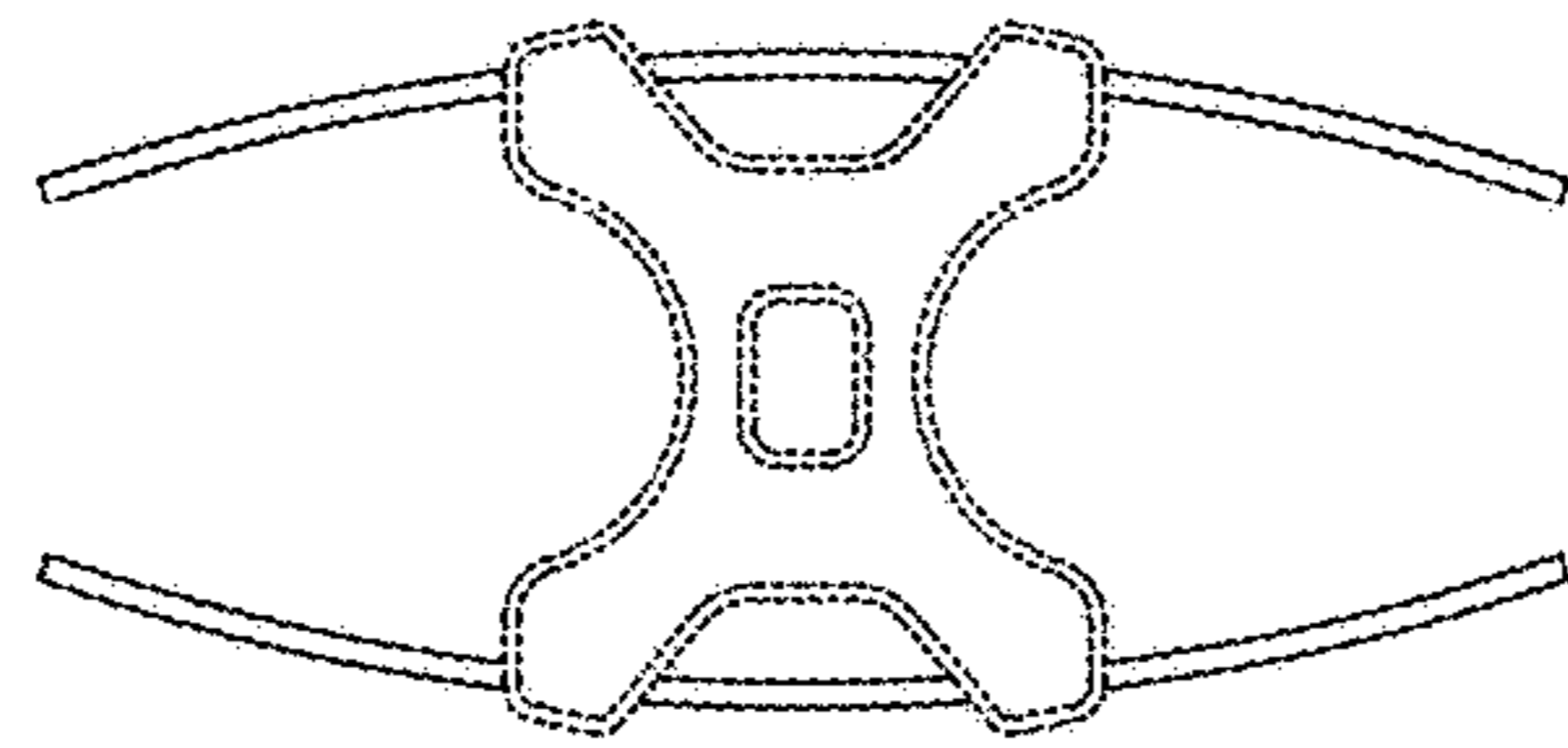


FIG. 7