



US00D816068S

(12) **United States Design Patent**
Cooper et al.

(10) **Patent No.:** **US D816,068 S**
(45) **Date of Patent:** **** Apr. 24, 2018**

- (54) **MICROPHONE**
- (71) Applicant: **Freedman Electronics Pty. Ltd.**,
Silverwater (AU)
- (72) Inventors: **Peter Noel Cooper**, Bronte (AU);
Samuel Dean Trewartha, Petersham
(AU)
- (73) Assignee: **Freedman Electronics Pty. Ltd.** (AU)
- (**) Term: **15 Years**
- (21) Appl. No.: **29/533,511**
- (22) Filed: **Jul. 17, 2015**

D296,100 S	6/1988	Kubota	
4,789,044 A	12/1988	Akino	
4,811,405 A	3/1989	Peiker	
D313,802 S	1/1991	Peiker	
D327,480 S	6/1992	Soren	
D385,885 S	11/1997	Liao	
D478,068 S	8/2003	Sundquist et al.	
D479,227 S	9/2003	Marshall	
D479,837 S	9/2003	Sundquist et al.	
D530,706 S	10/2006	Gustafson et al.	
D531,171 S	10/2006	Gustafson et al.	
D542,262 S	5/2007	Oka	
D578,994 S	10/2008	Oka	
D581,898 S	12/2008	Oka	
D611,925 S *	3/2010	Miyazaki D14/167
D621,386 S	8/2010	Chang	
D623,172 S	9/2010	Kondo et al.	

(Continued)

Related U.S. Application Data

- (62) Division of application No. 29/485,987, filed on Mar. 25, 2014, now Pat. No. Des. 736,187, which is a division of application No. 29/443,788, filed on Jan. 22, 2013, now Pat. No. Des. 707,207.
- (51) **LOC (11) Cl.** **14-03**
- (52) **U.S. Cl.**
USPC **D14/225**
- (58) **Field of Classification Search**
USPC D14/155, 167, 225, 226, 227, 228, 243,
D14/249, 497; D16/208; D17/99;
D21/513
CPC H04M 1/00; H04R 1/08; H04R 1/086;
H04R 5/00; H04R 25/00
See application file for complete search history.

References Cited

U.S. PATENT DOCUMENTS

2,910,539 A	10/1959	Hartsfield	
D205,012 S *	6/1966	Henggeler D8/61
3,459,902 A	8/1969	Warning	
D278,625 S	4/1985	Mathiasen	
D296,099 S	6/1988	Kubota	

Primary Examiner — Sandra Snapp

Assistant Examiner — Holly E Thurman

(74) *Attorney, Agent, or Firm* — Saidman DesignLaw Group, LLC

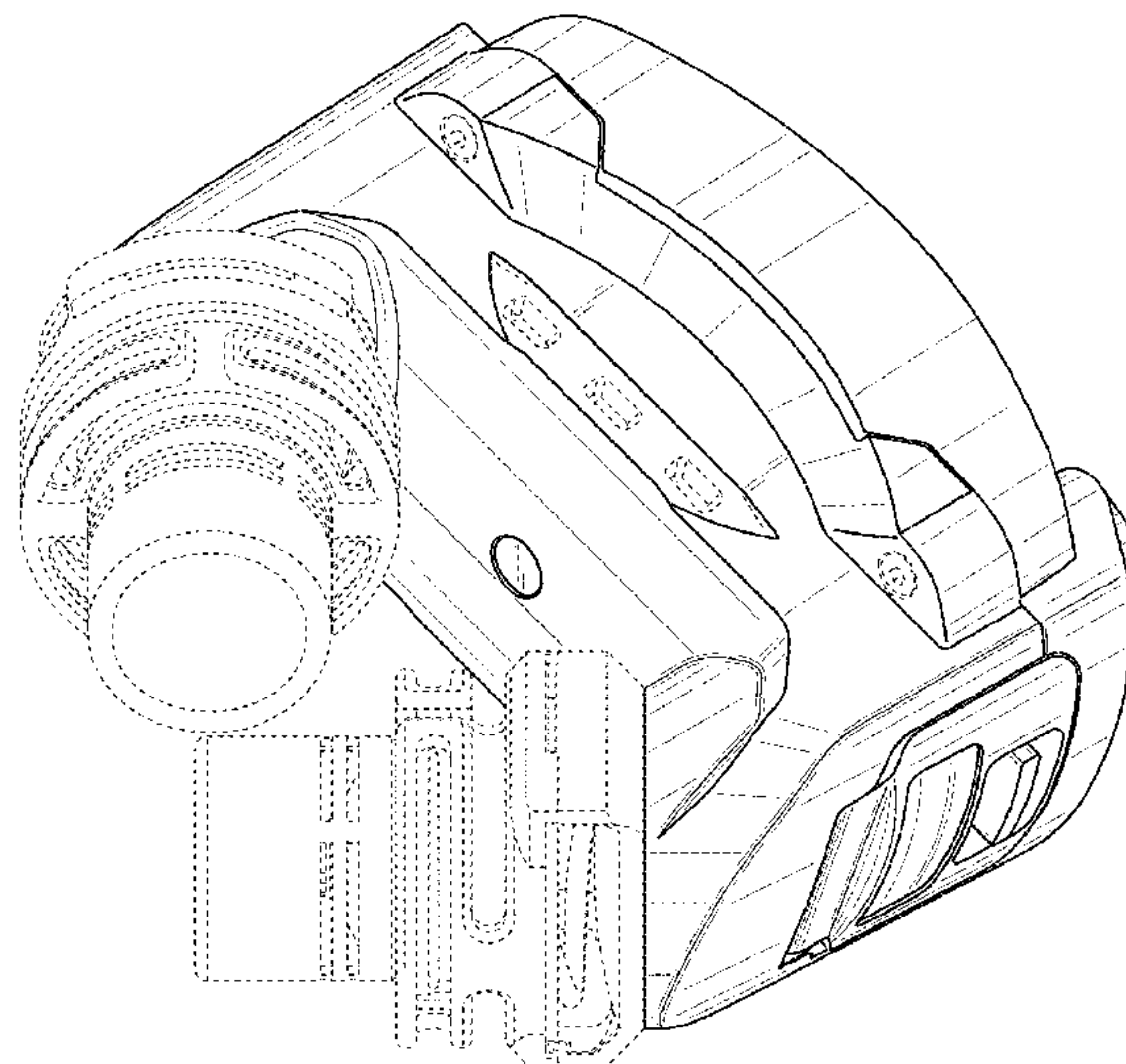
(57) **CLAIM**

The ornamental design for a microphone, as shown and described.

DESCRIPTION

FIG. 1 is a perspective view of a microphone showing our new design;
 FIG. 2 is a front view thereof;
 FIG. 3 is a rear view thereof;
 FIG. 4 is a left side view thereof;
 FIG. 5 is a right side view thereof;
 FIG. 6 is a top view thereof; and,
 FIG. 7 is a bottom view thereof.
 The relatively thin shade lines represent contour, not surface decoration.
 The broken lines illustrate environmental structure and form no part of the claimed design.

1 Claim, 5 Drawing Sheets



(56)

References Cited

U.S. PATENT DOCUMENTS

D623,631 S	9/2010	Kung	
D649,524 S	11/2011	Miyazaki	
D658,163 S	4/2012	Iikura	
8,229,133 B2	7/2012	Matsui	
D683,714 S	6/2013	Ito et al.	
D707,207 S	6/2014	Cooper et al.	
D708,600 S	7/2014	Trewartha et al.	
D720,728 S	1/2015	Trewartha	
D768,106 S *	10/2016	Tajima	D14/167
D779,580 S *	2/2017	Jia	D16/237
2010/0008511 A1 *	1/2010	Kawano	H04R 5/027 381/26
2015/0086058 A1	3/2015	Harms et al.	

* cited by examiner

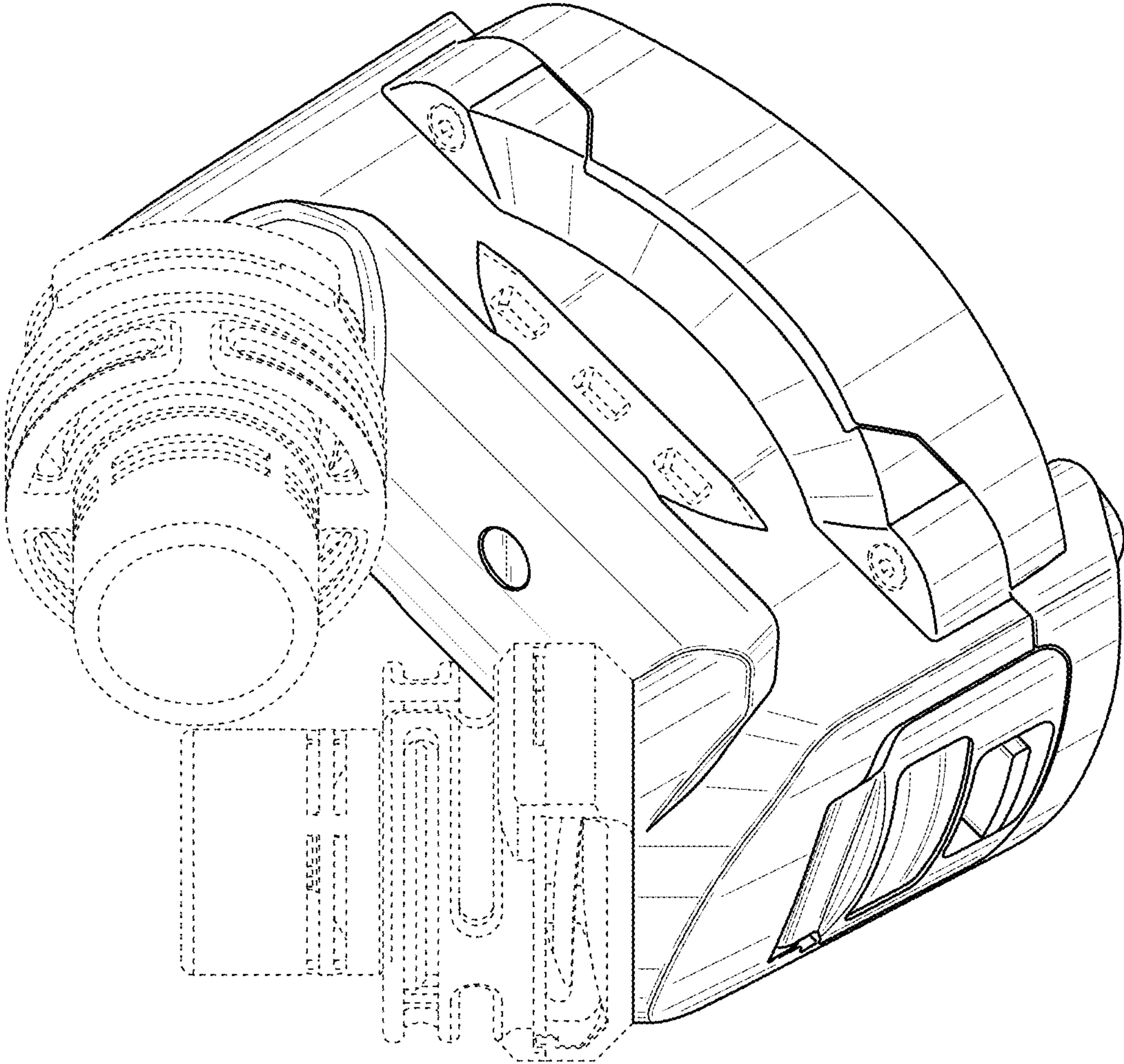


Fig. 1

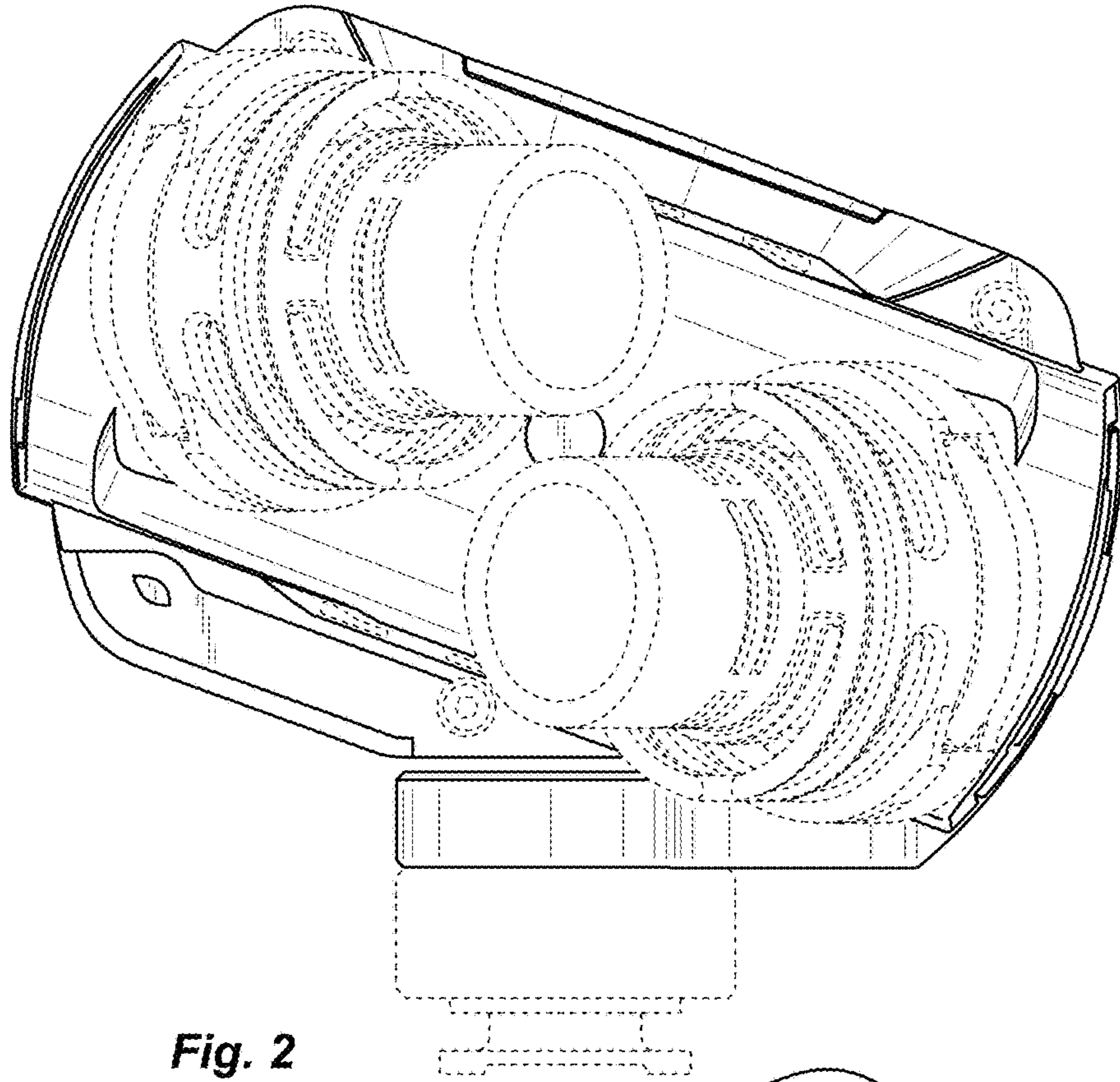


Fig. 2

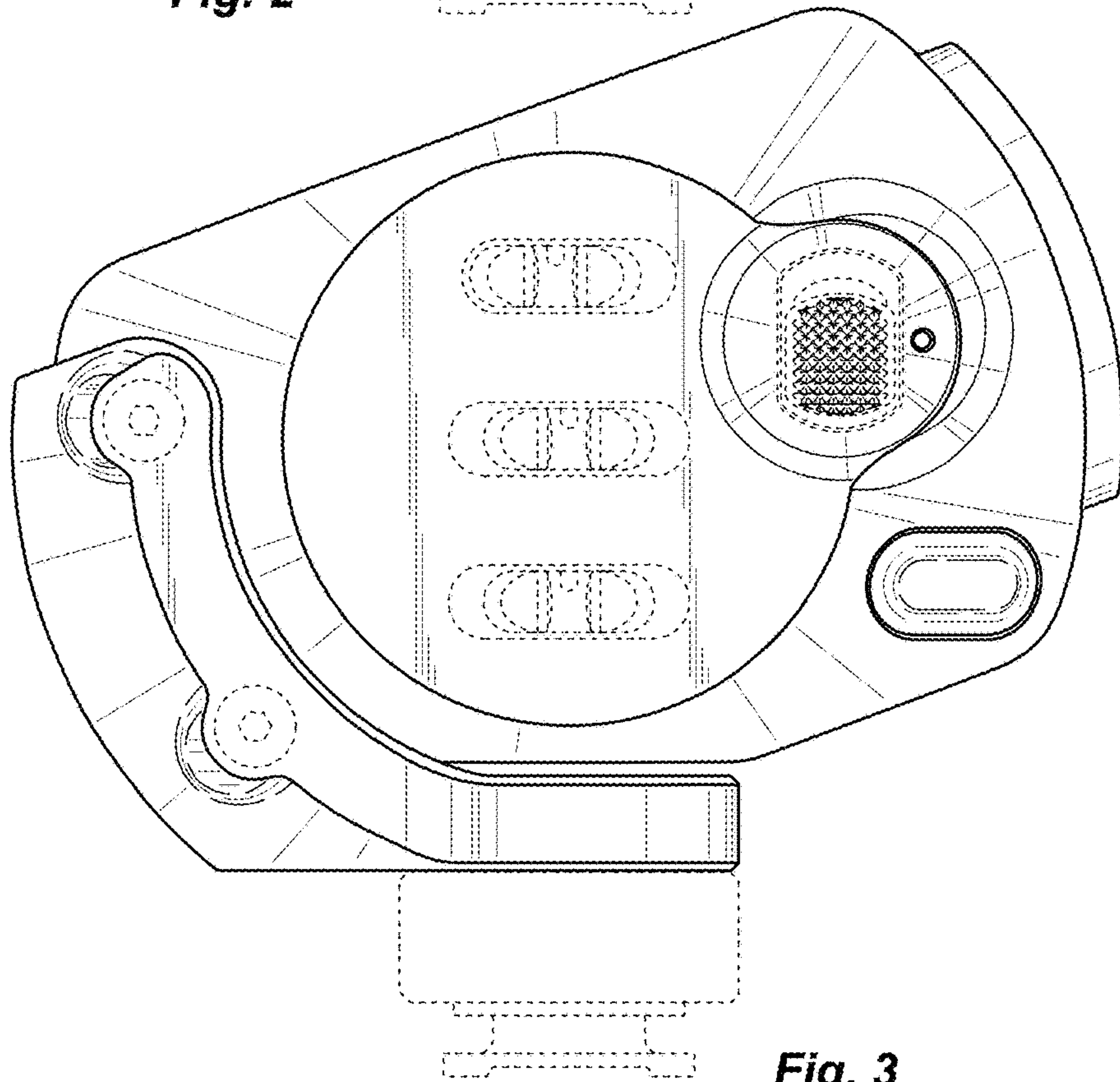


Fig. 3

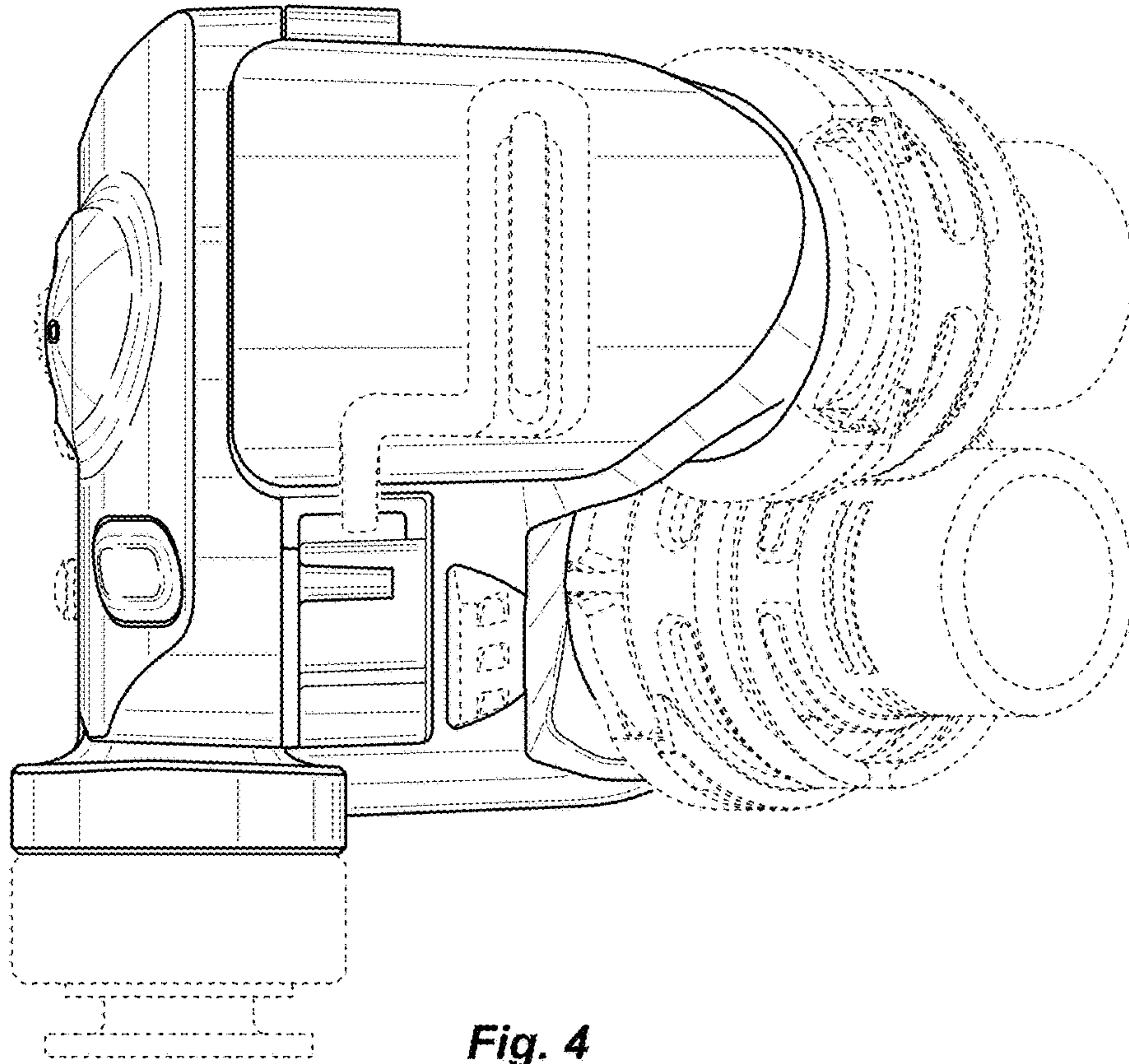


Fig. 4

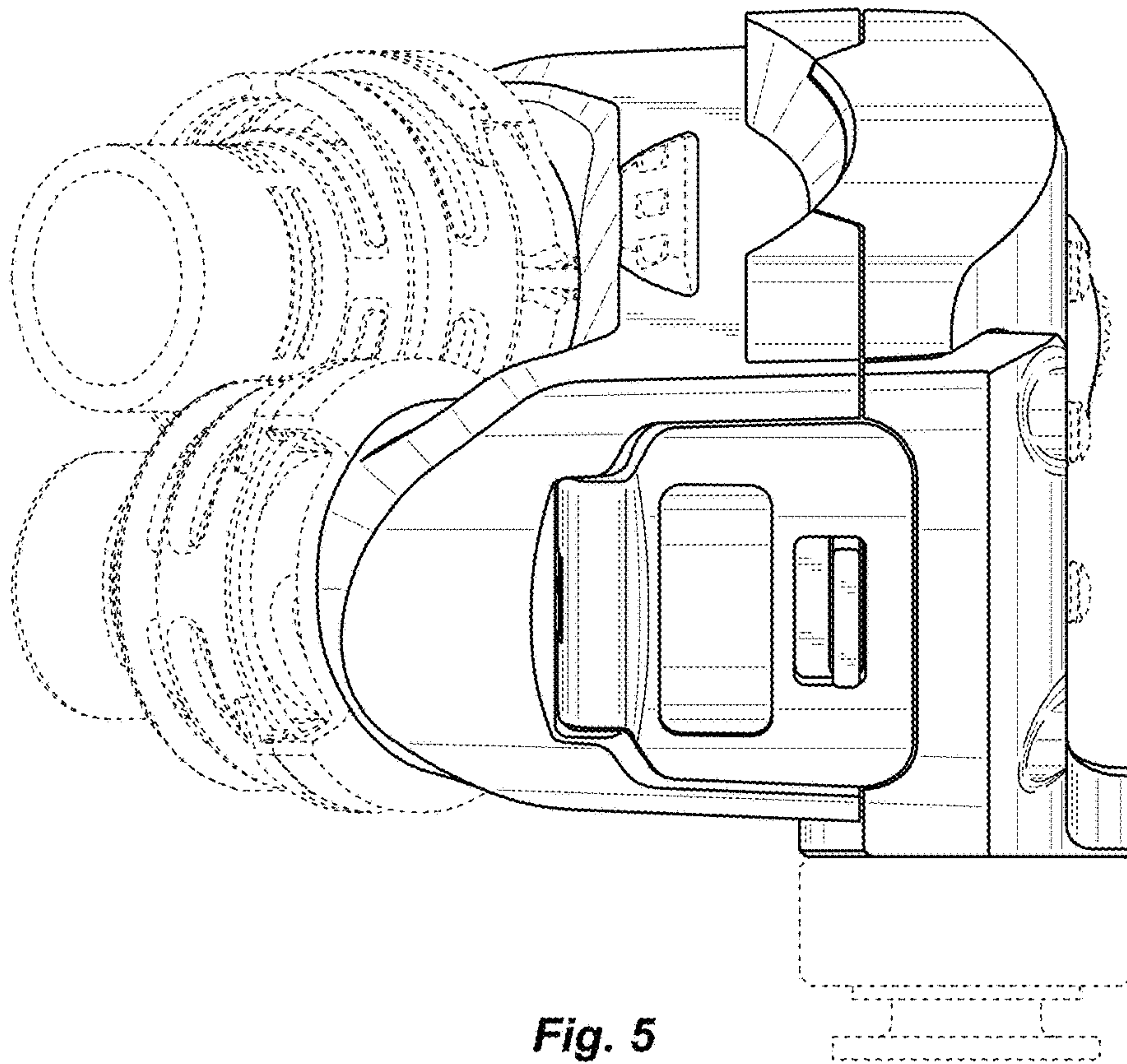


Fig. 5

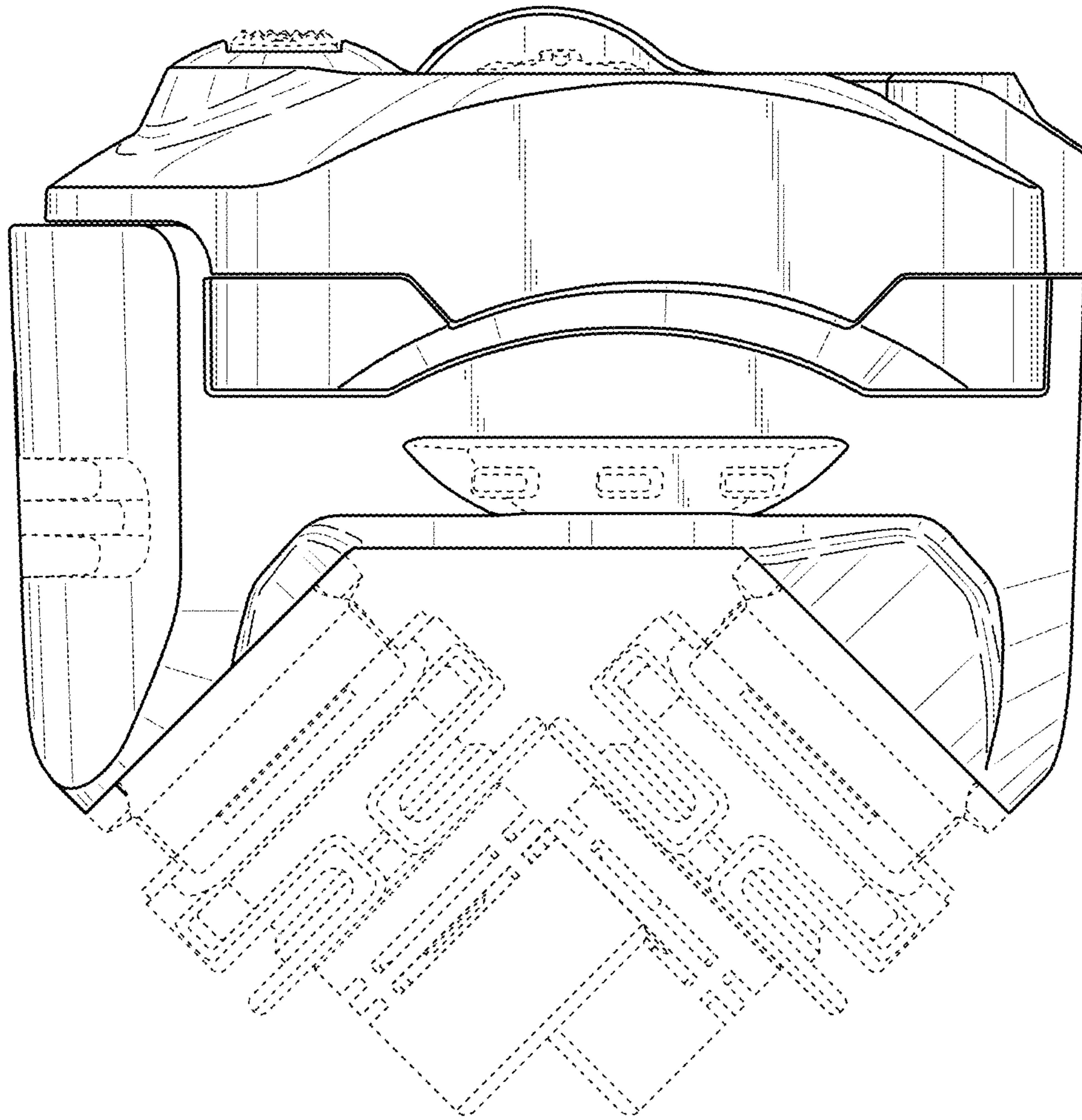


Fig. 6

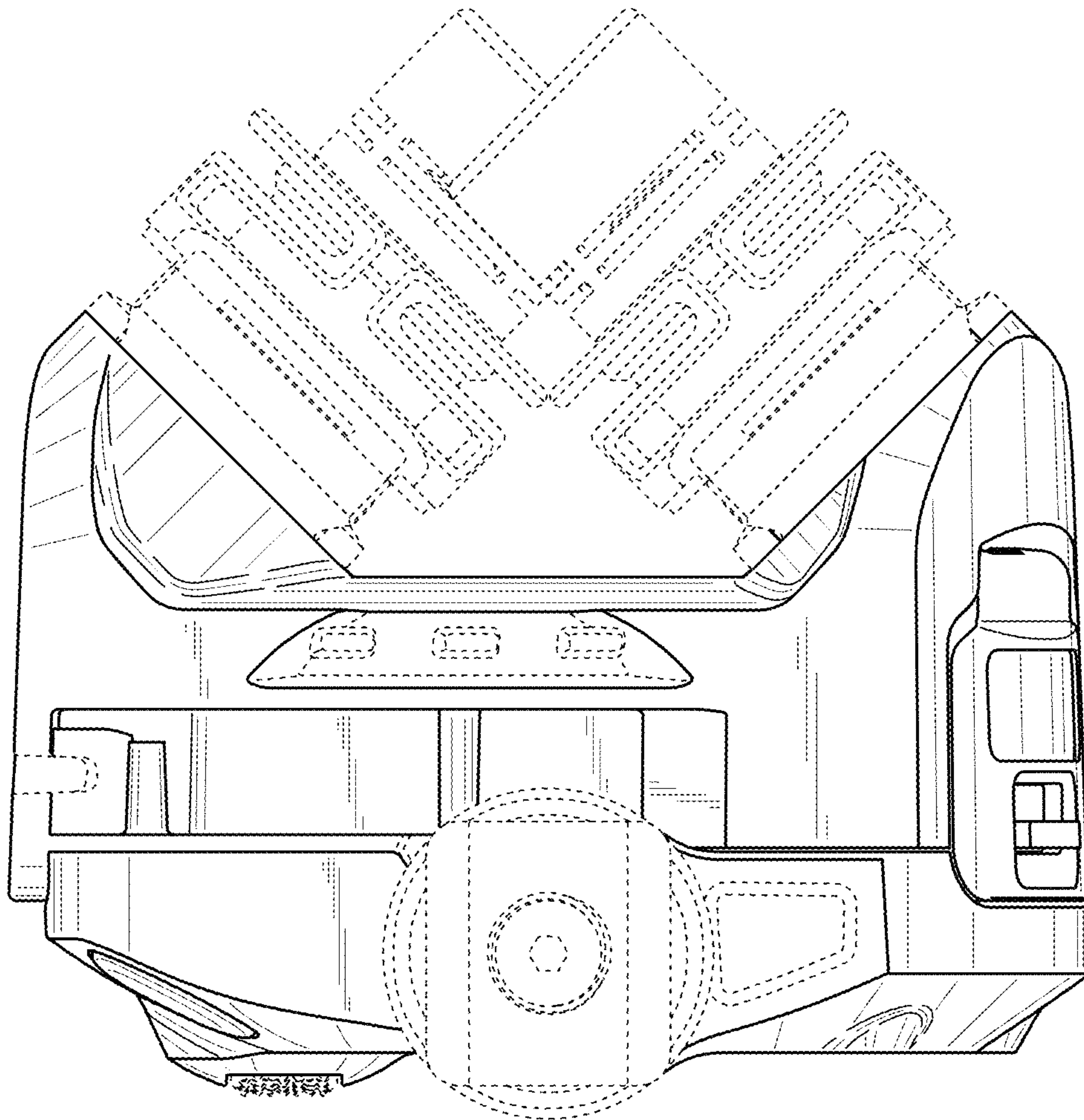


Fig. 7