



US00D816067S

(12) **United States Design Patent** (10) **Patent No.:** **US D816,067 S**
Ely et al. (45) **Date of Patent:** **** Apr. 24, 2018**

(54) **PUSH TO TALK HANDHELD DEVICE
HAVING A STEPPED BODY FOR BUTTONS**

D714,264 S * 9/2014 Hakansson D14/137
D717,291 S * 11/2014 Klein D14/225
D718,746 S * 12/2014 Tran D14/137
D718,747 S * 12/2014 Tran D14/137
D720,726 S * 1/2015 Yu D14/225
D740,793 S * 10/2015 Jobetto D14/225

(71) Applicant: **3M INNOVATIVE PROPERTIES
COMPANY**, St. Paul, MN (US)

(Continued)

(72) Inventors: **Jacob H. Ely**, Indianapolis, IN (US);
Ravi Thomas, Avon, IN (US); **Gregory
G. Tamer**, Fishers, IN (US)

OTHER PUBLICATIONS

(73) Assignee: **3M INNOVATIVE PROPERTIES
COMPANY**, St. Paul, MN (US)

U.S. Appl. No. 29/499,802 to Ely et al., filed Aug. 19, 2014, entitled
“Push to Talk Handheld Device Having a Curvature Near the Body
and Cable Connection”.

(Continued)

(**) Term: **14 Years**

Primary Examiner — Cynthia Underwood

(21) Appl. No.: **29/499,801**

(22) Filed: **Aug. 19, 2014**

(57) **CLAIM**

(51) **LOC (11) Cl.** **14-01**

The ornamental design for a push to talk handheld device
having a stepped body for buttons, as shown and described.

(52) **U.S. Cl.**

USPC **D14/225**

DESCRIPTION

(58) **Field of Classification Search**

USPC D14/225, 217, 496
CPC H04W 4/00; H04R 1/00
See application file for complete search history.

FIG. 1 is a top front perspective view of a new design for a
push to talk handheld device having a stepped body for
buttons.

(56) **References Cited**

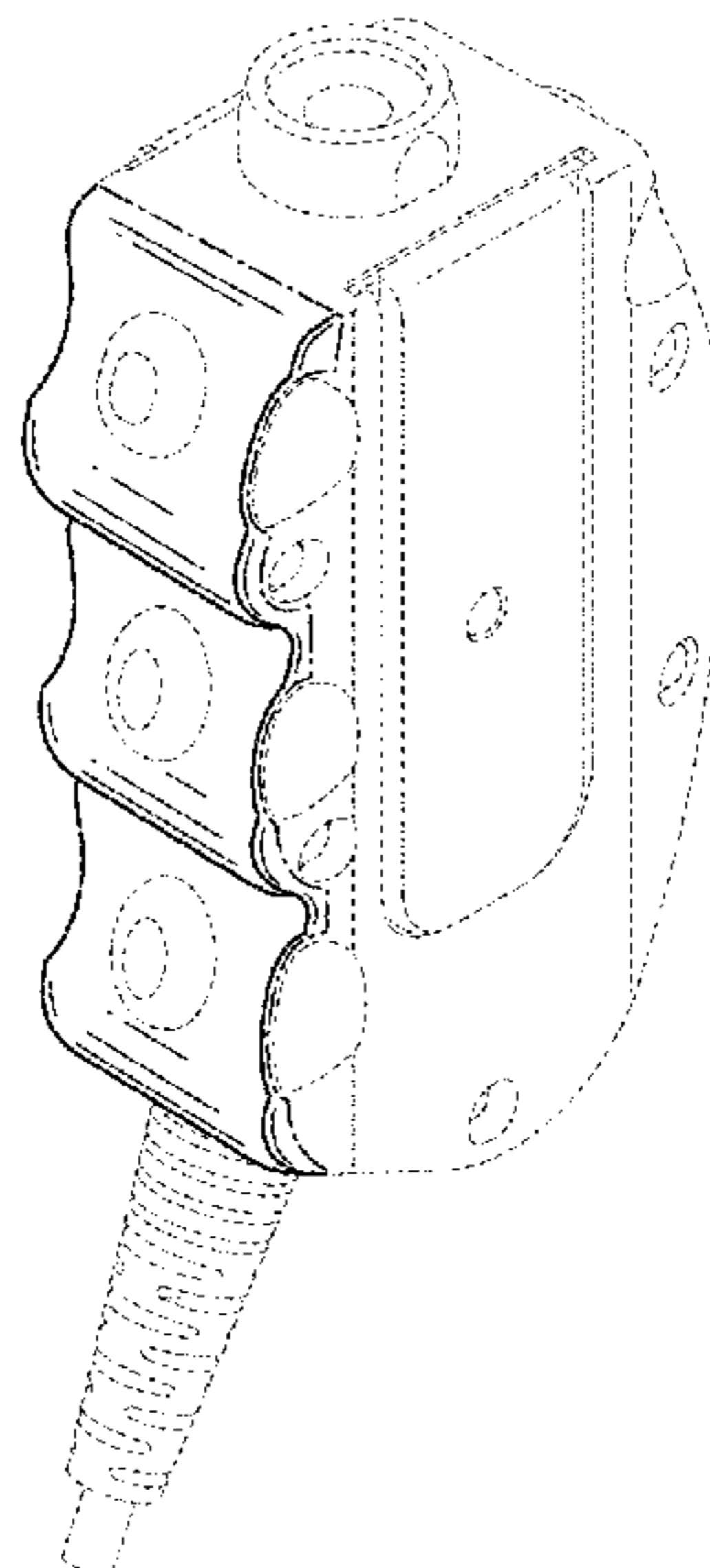
U.S. PATENT DOCUMENTS

D249,041 S * 8/1978 Culbertson D14/225
D378,369 S * 3/1997 Behlke D14/137
D515,558 S * 2/2006 Case D10/106.1
D529,021 S * 9/2006 Jensen D14/223
D566,693 S * 4/2008 Jensen D14/223
D567,232 S * 4/2008 Darbut D14/225
D576,157 S * 9/2008 Nishizawa D14/225
D615,533 S * 5/2010 Emge D14/225
D619,125 S * 7/2010 Kung D14/225
D632,679 S * 2/2011 Emge D14/225
D645,028 S * 9/2011 Pescetto D14/225
D651,996 S * 1/2012 Wilson D14/137
D662,090 S * 6/2012 Richards D14/226
D702,771 S * 4/2014 Mar D14/401

FIG. 2 is a front plan view thereof;
FIG. 3 is a left elevation view thereof;
FIG. 4 is a right elevation view thereof.
FIG. 5 is a back plan view thereof; and
FIG. 6 is a top elevation view thereof; and,
FIG. 7 is a bottom elevation view thereof.

The broken lines having a same sized dash length in the
drawings depict environmental subject matter and/or parts of
the push to talk handheld device having a stepped body for
buttons, and form no part of the claimed design. The broken
lines having alternated short and long dash lengths in the
drawings depict boundary lines used to indicate one or more
bounds of the claimed design, and form no part of the
claimed design.

1 Claim, 2 Drawing Sheets



(56)

References Cited

U.S. PATENT DOCUMENTS

| | | | | | | |
|----------|---|---|---------|------------|-------|---------|
| D743,950 | S | * | 11/2015 | Derdzinski | | D14/225 |
| D744,457 | S | * | 12/2015 | Vuorio | | D14/226 |
| D744,458 | S | * | 12/2015 | Derdzinski | | D14/226 |
| D755,760 | S | * | 5/2016 | Ely | | D14/225 |
| D776,634 | S | * | 1/2017 | Lee | | D14/205 |
| D778,263 | S | * | 2/2017 | Martel | | D14/217 |

OTHER PUBLICATIONS

U.S. Appl. No. 29/499,807 to Ely et al., filed Aug. 19, 2014, entitled "Push to Talk Handheld Device with Body Scallops Around Buttons".

* cited by examiner

FIG. 1

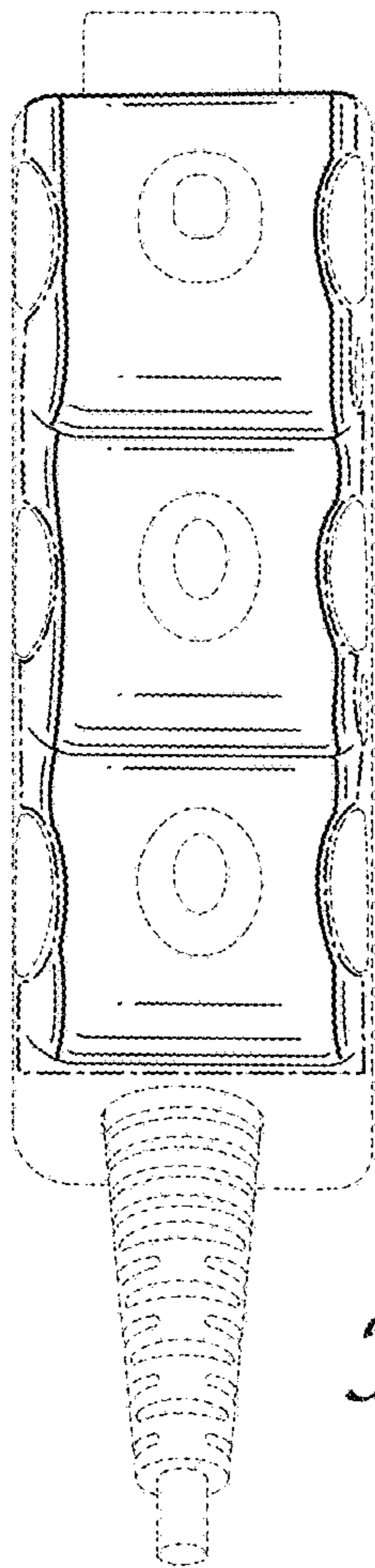
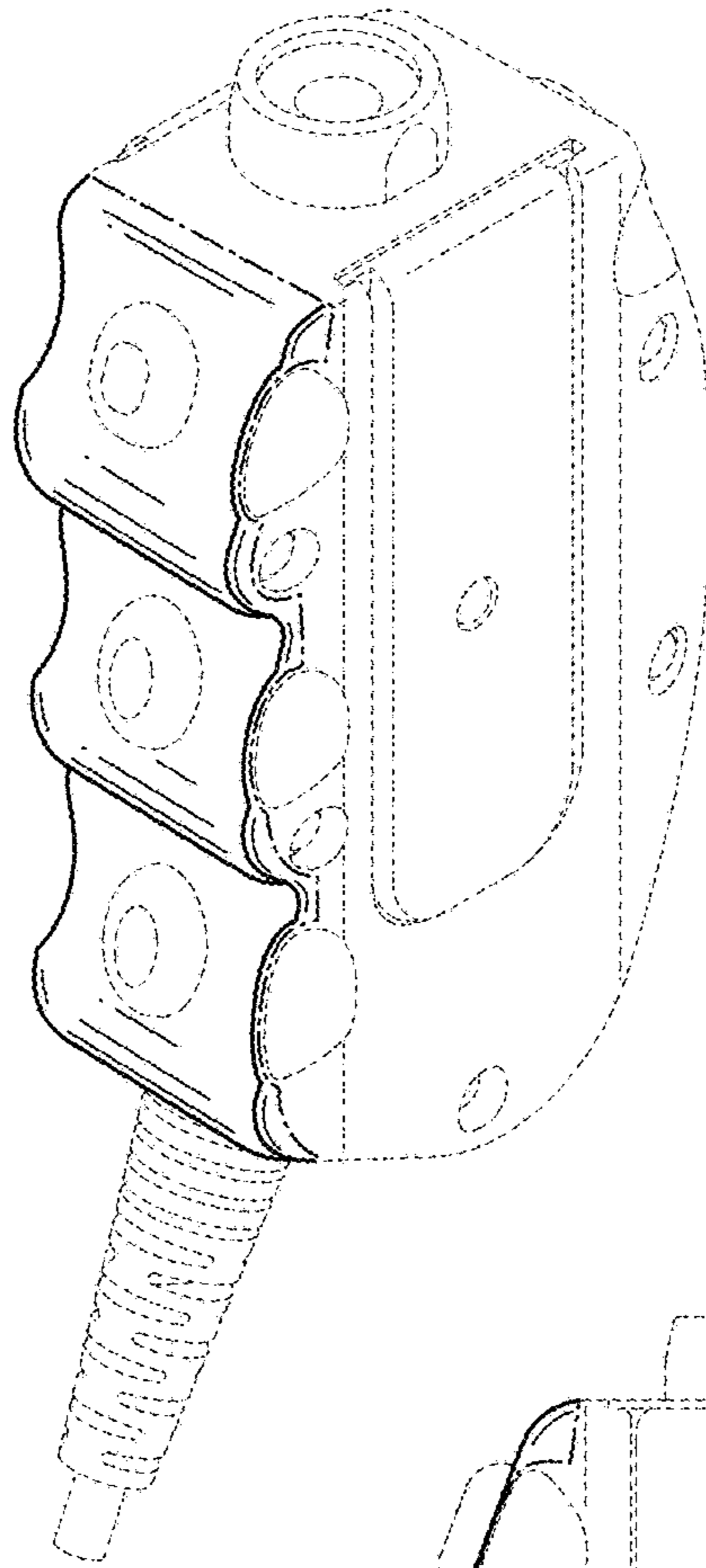


FIG. 2

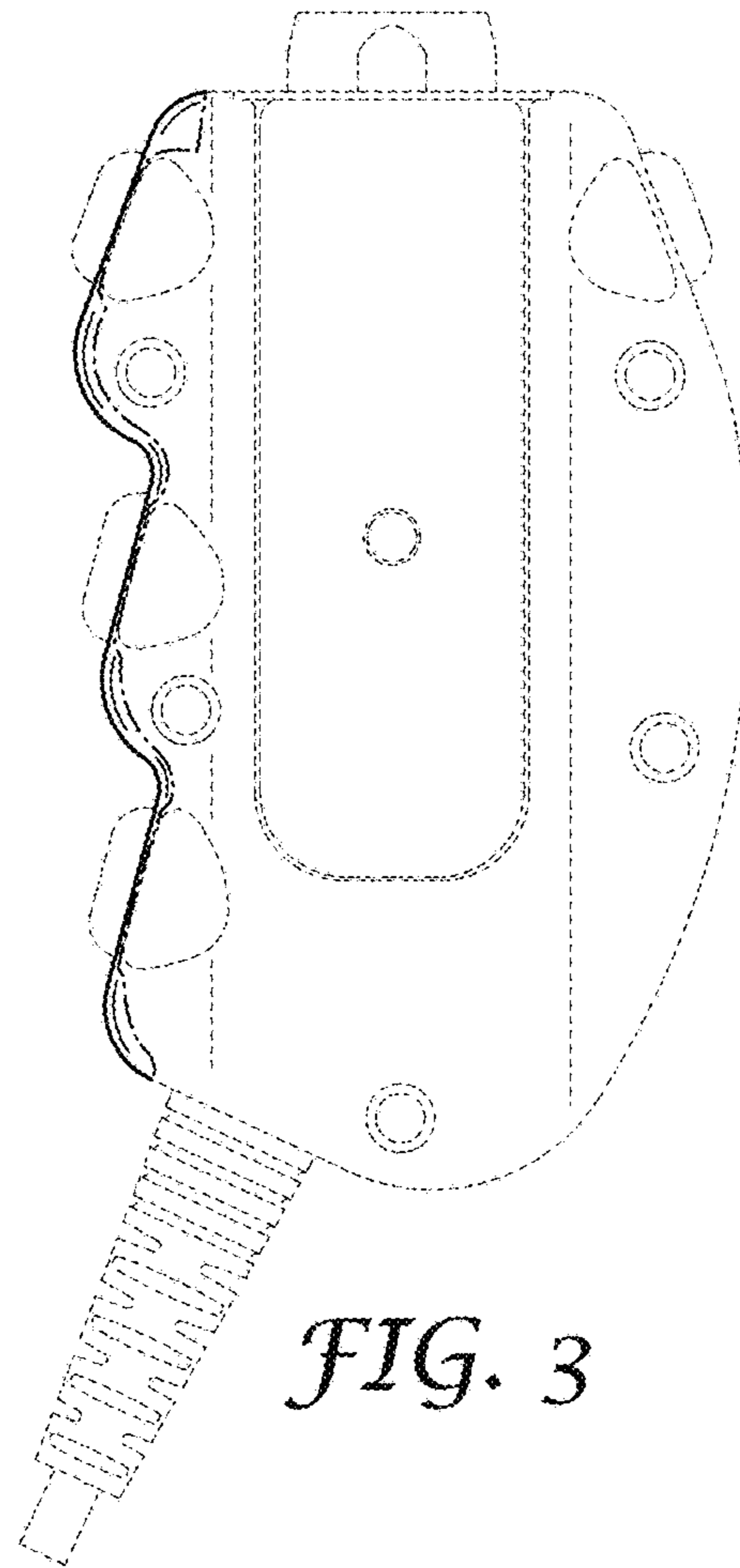


FIG. 3

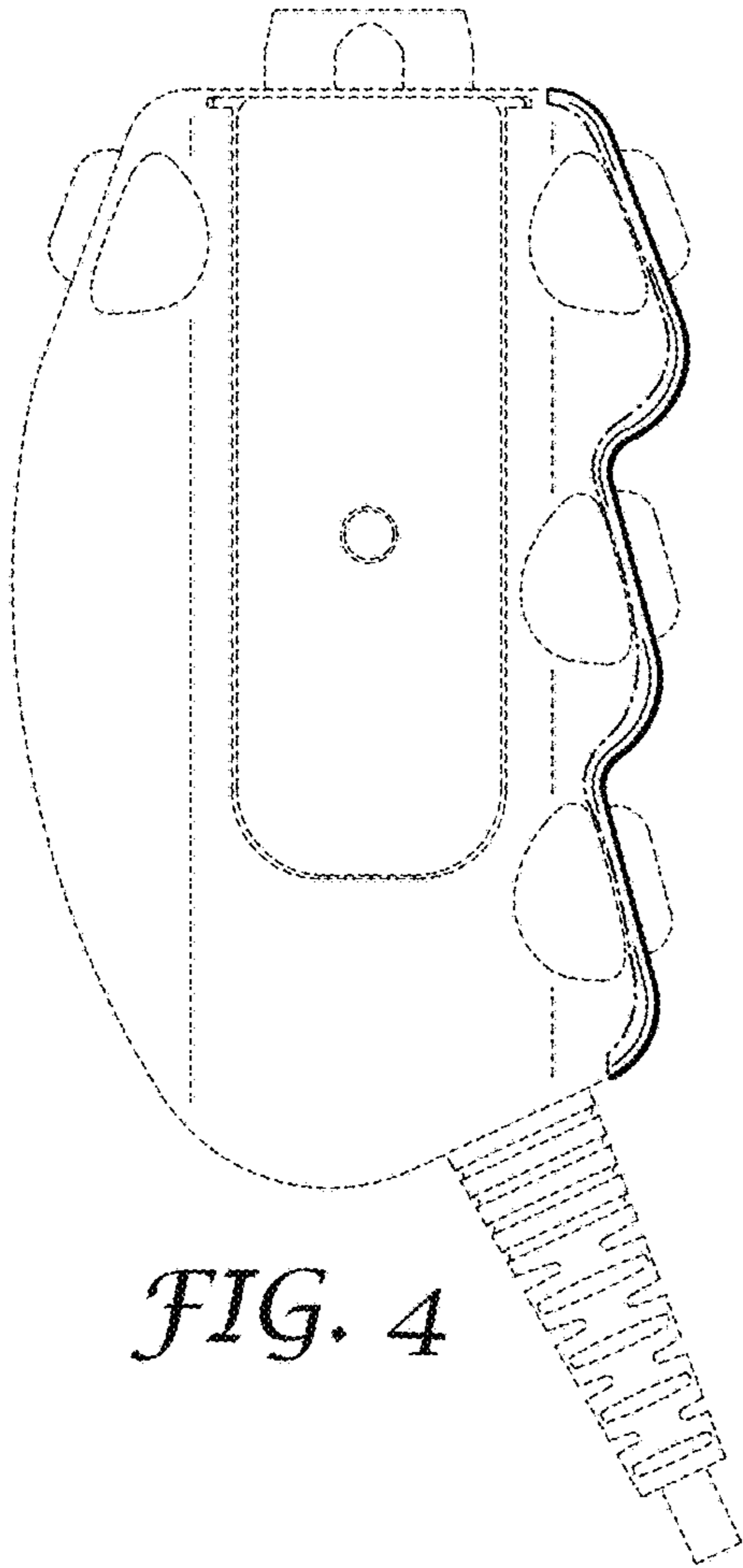


FIG. 4

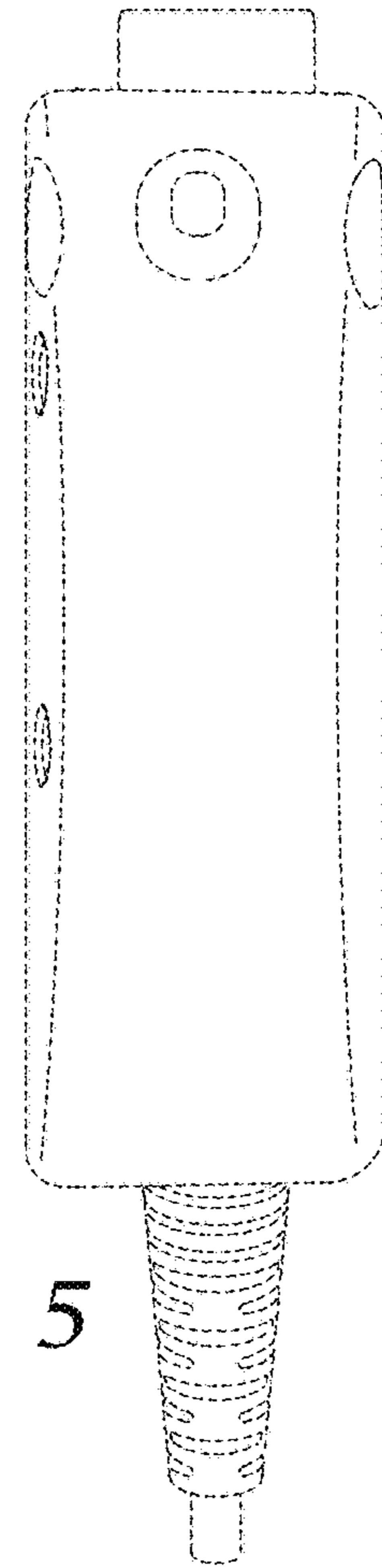


FIG. 5

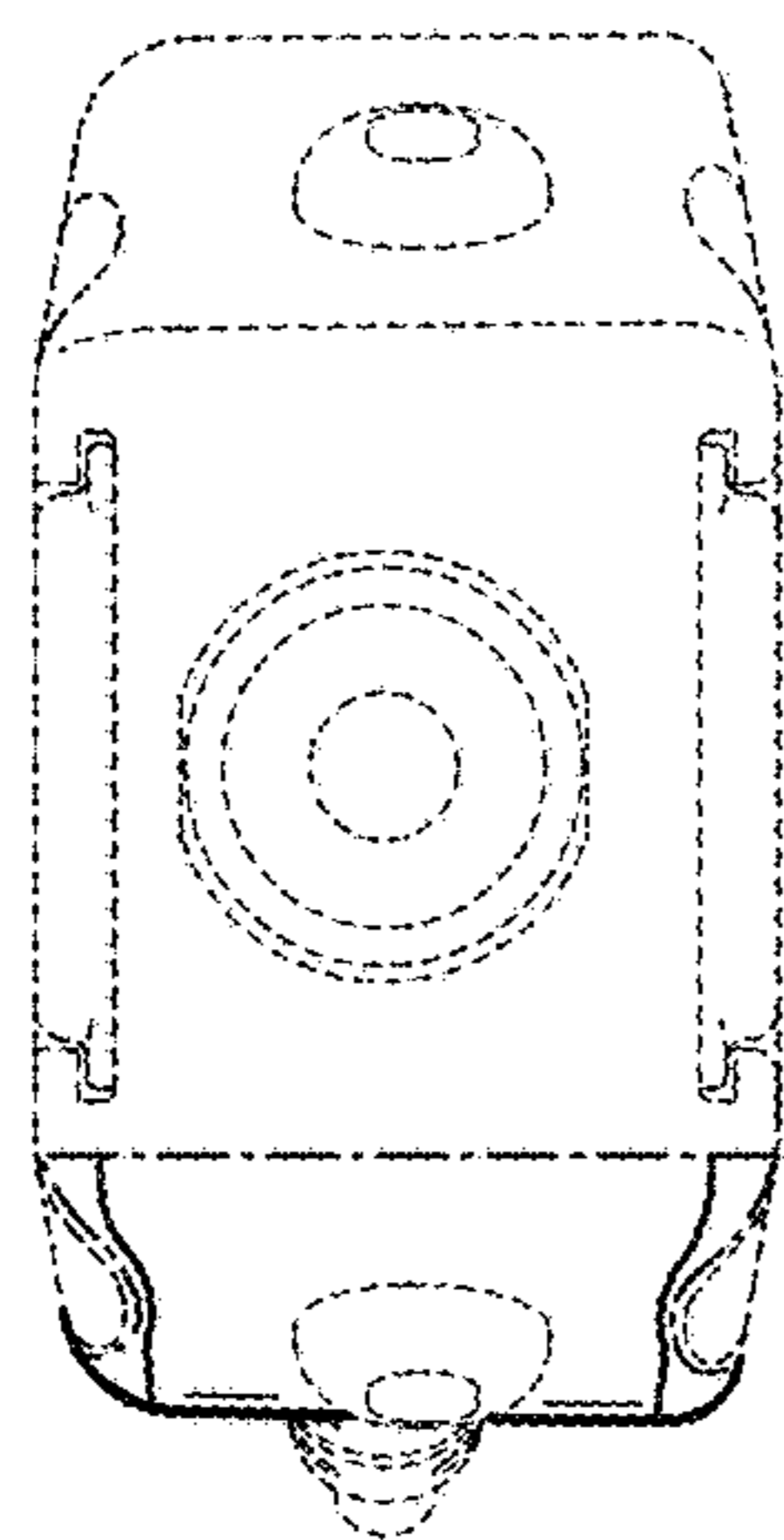


FIG. 6

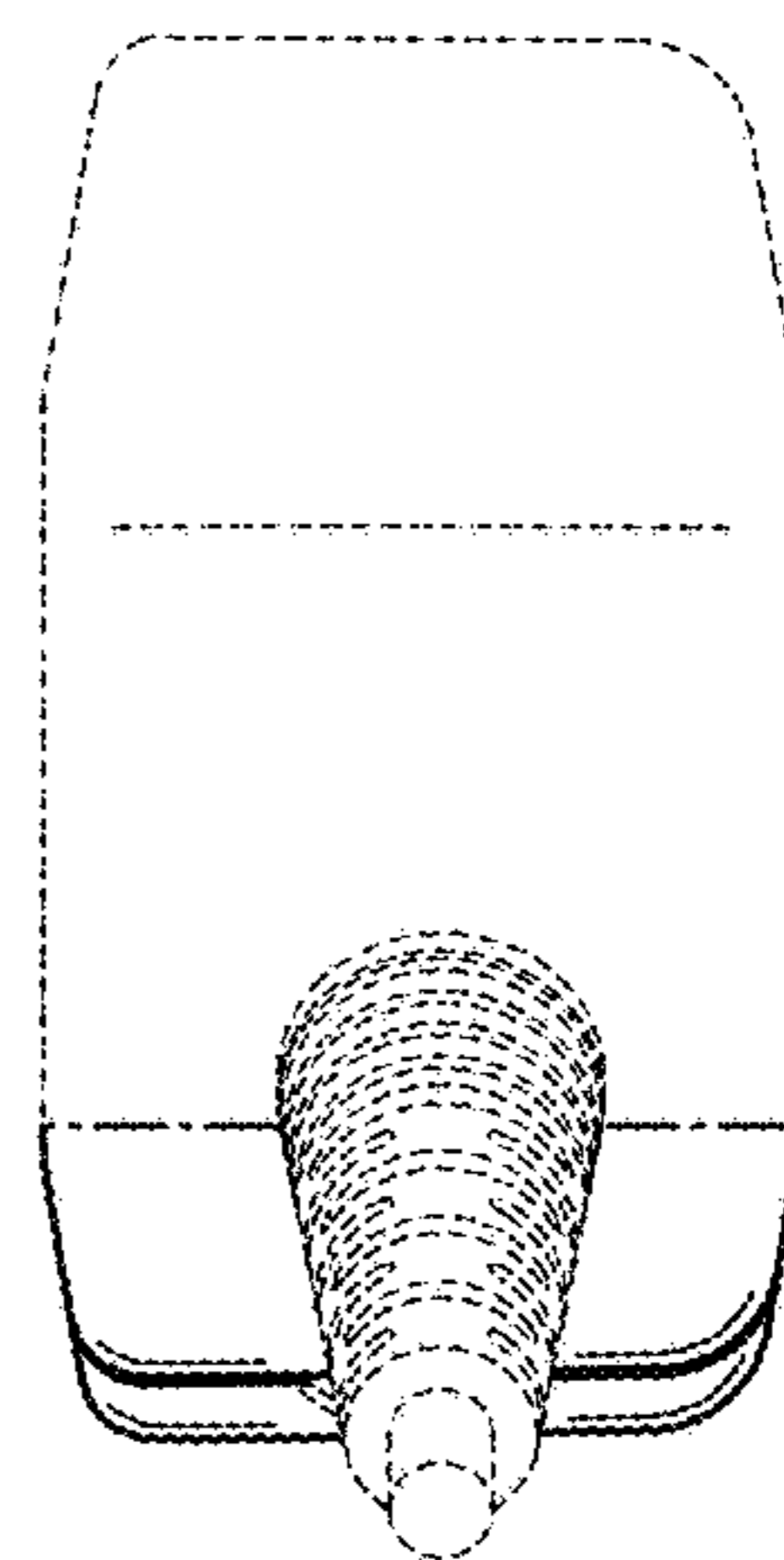


FIG. 7

UNITED STATES PATENT AND TRADEMARK OFFICE
CERTIFICATE OF CORRECTION

PATENT NO. : D816,067 S
APPLICATION NO. : 29/499801
DATED : April 24, 2018
INVENTOR(S) : Jacob Ely

Page 1 of 1

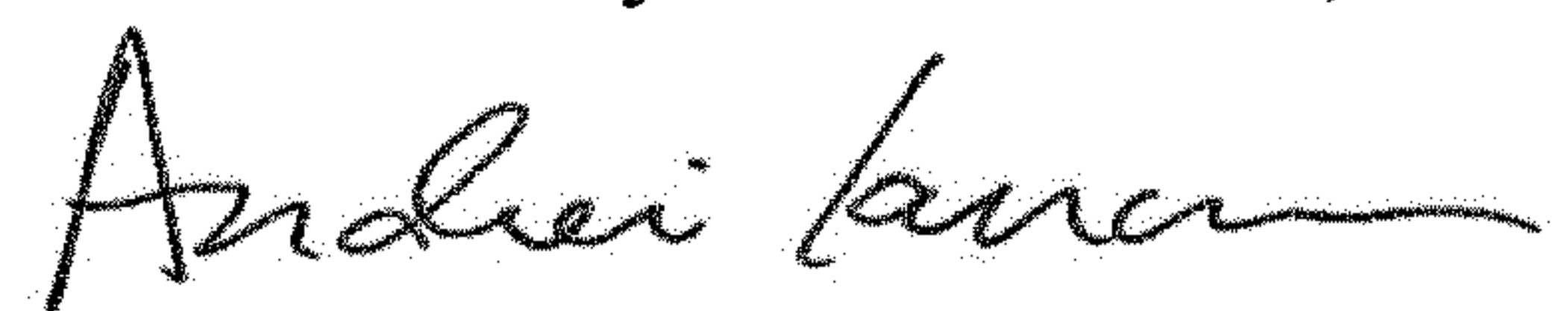
It is certified that error appears in the above-identified patent and that said Letters Patent is hereby corrected as shown below:

On the Title Page

Column 2 (Description)

Line 3, delete "buttons." and insert -- buttons; --, therefor.
Line 6, delete "thereof." and insert -- thereof; --, therefor.
Line 7, after "thereof;" delete "and".

Signed and Sealed this
Thirteenth Day of November, 2018



Andrei Iancu
Director of the United States Patent and Trademark Office