



US00D816063S

(12) **United States Design Patent**  
**Choi et al.**

(10) **Patent No.:** **US D816,063 S**  
(45) **Date of Patent:** **\*\* Apr. 24, 2018**

(54) **SPEAKER**

(71) Applicant: **Samsung Electronics Co., Ltd.**,  
Suwon-si (KR)

(72) Inventors: **Gyoo-Sang Choi**, Suwon-si (KR);  
**Bum-Ho Chun**, Yongin-si (KR);  
**Jun-Pyo Kim**, Seoul (KR)

(73) Assignee: **SAMSUNG ELECTRONICS CO., LTD.**,  
Suwon-si (KR)

(\*\*) Term: **15 Years**

(21) Appl. No.: **29/569,770**

(22) Filed: **Jun. 30, 2016**

(30) **Foreign Application Priority Data**

Dec. 31, 2015 (KR) ..... 30-2015-0067572

(51) **LOC (11) Cl.** ..... **14-03**

(52) **U.S. Cl.**  
USPC ..... **D14/214**

(58) **Field of Classification Search**

USPC ..... D14/167, 168, 170–172, 188, 194–196,  
D14/204, 207, 209.1, 210–216, 219, 221,  
D14/222, 224, 239, 496; 181/143, 144,  
181/147, 148, 150, 153, 157, 198, 199;  
381/300–303, 306, 332, 333, 336, 345,  
381/361–364, 386–388; 369/6–12  
CPC ..... B60R 11/0217; G06F 1/1688; G10K 9/22;  
G10K 11/004; H03F 1/327; H04M 1/03;  
H04M 1/035; H04N 5/642; H04N  
21/4852; H04R 1/02; H04R 1/06; H04R  
1/021; H04R 1/025; H04R 1/026; H04R  
1/028; H04R 1/105; H04R 1/323; H04R  
1/403; H04R 1/2803; H04R 1/2834;  
H04R 5/02; H04R 7/20; H04R 9/06;  
H04R 9/025; H04R 2201/021; H04R  
2400/00; H04R 2400/07; H04R 2499/11;  
H04R 2499/13; H04R 2499/15; H04S  
3/00; H04S 7/30

See application file for complete search history.

(56) **References Cited**

U.S. PATENT DOCUMENTS

D408,819 S \* 4/1999 Katsumata ..... D14/214  
D552,082 S \* 10/2007 Law ..... D14/214  
D555,635 S \* 11/2007 Kim ..... D14/214

(Continued)

FOREIGN PATENT DOCUMENTS

CN 303347648 S 8/2015  
JP D1374455 11/2009  
KR 300438855 1/2007

*Primary Examiner* — Keli L Hill

(74) *Attorney, Agent, or Firm* — McAndrews Held &  
Malloy, Ltd.

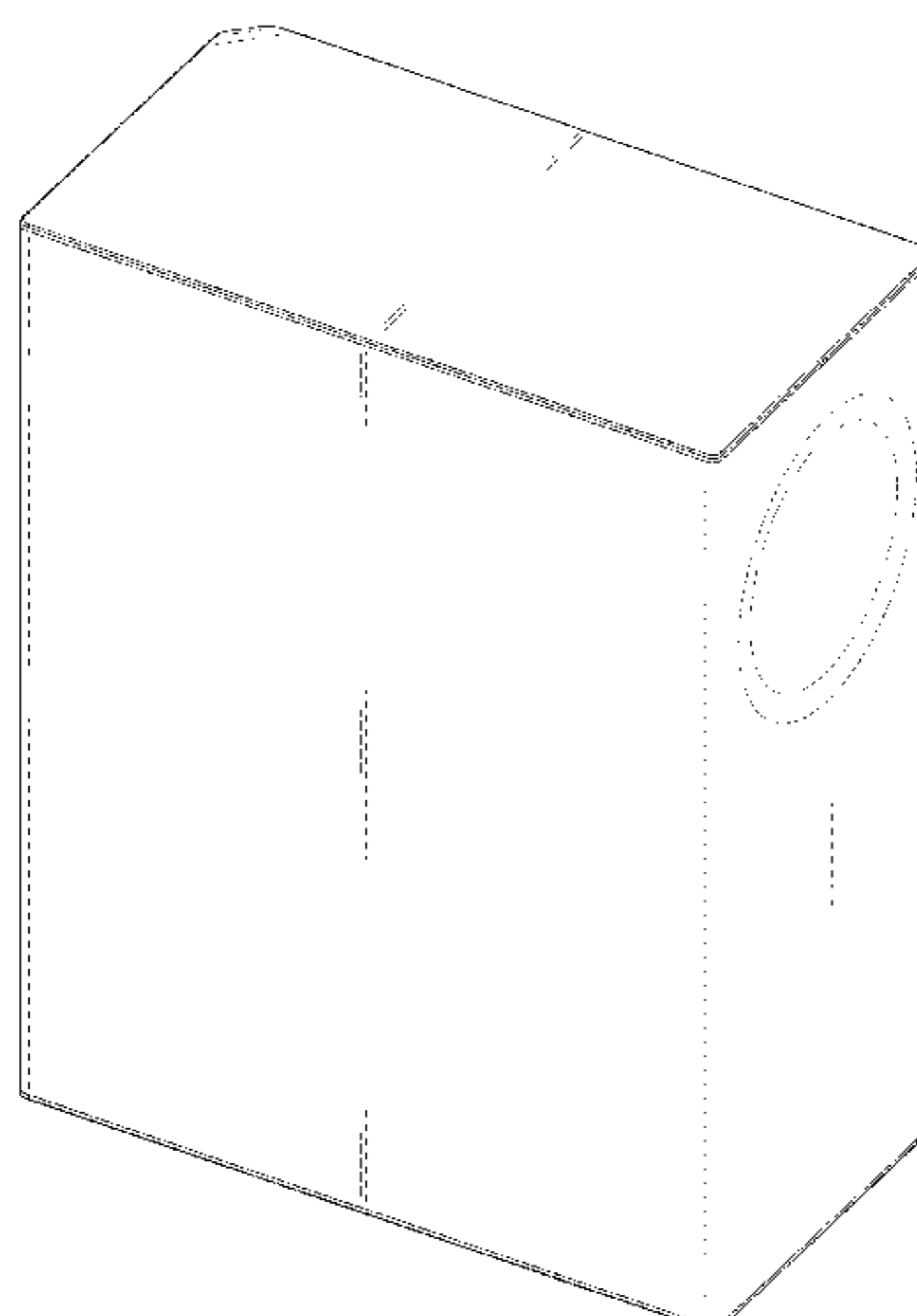
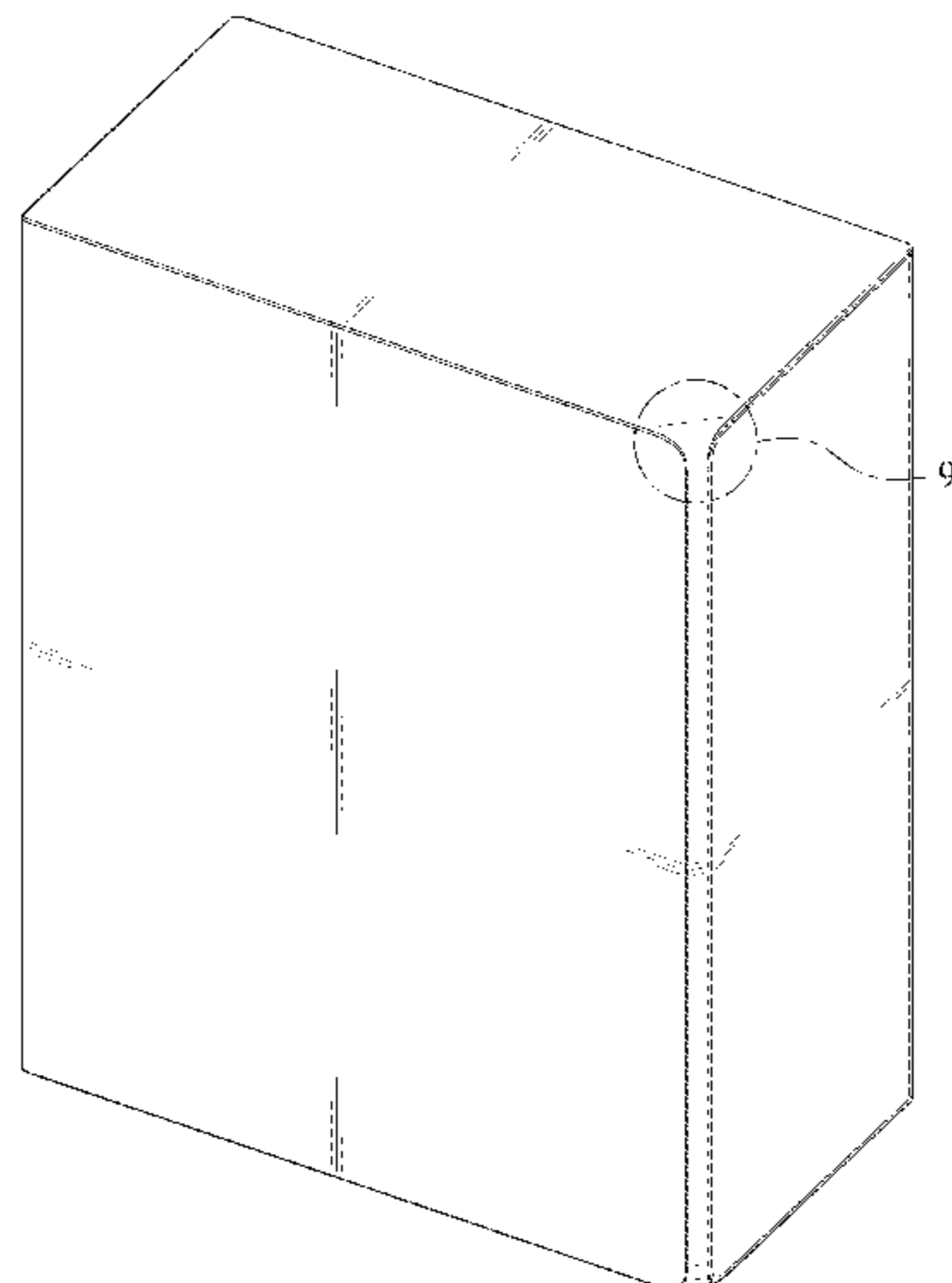
(57) **CLAIM**

The ornamental design for a speaker, as shown and  
described.

**DESCRIPTION**

FIG. 1 is a front perspective view of a speaker showing our  
new design;  
FIG. 2 is a front elevation view thereof;  
FIG. 3 is a rear elevation view thereof;  
FIG. 4 is a left-side elevation view thereof;  
FIG. 5 is a right-side elevation view thereof;  
FIG. 6 is a top plan view thereof;  
FIG. 7 is a bottom plan view thereof;  
FIG. 8 is a rear perspective view thereof; and,  
FIG. 9 is an enlarged front perspective view of the portion  
encircled in FIG. 1.  
The dashed broken lines in the drawings illustrate portions  
of the speaker that form no part of the claimed design.  
The dot-dash broken lines in the drawings encircle a portion  
of the claimed design that is illustrated in an enlargement  
and form no part of the claimed design.

**1 Claim, 9 Drawing Sheets**



(56)

**References Cited**

U.S. PATENT DOCUMENTS

D565,545 S	*	4/2008	Kim .....	D14/214
D581,397 S	*	11/2008	Masui .....	D14/214
D581,398 S	*	11/2008	Sugiyama .....	D14/214
D710,327 S	*	8/2014	McManigal .....	D14/214
D736,742 S		8/2015	Warden	
D739,848 S		9/2015	Brown	
D778,872 S	*	2/2017	Yang .....	D14/204
D781,819 S	*	3/2017	Koo .....	D14/214

\* cited by examiner

FIG. 1

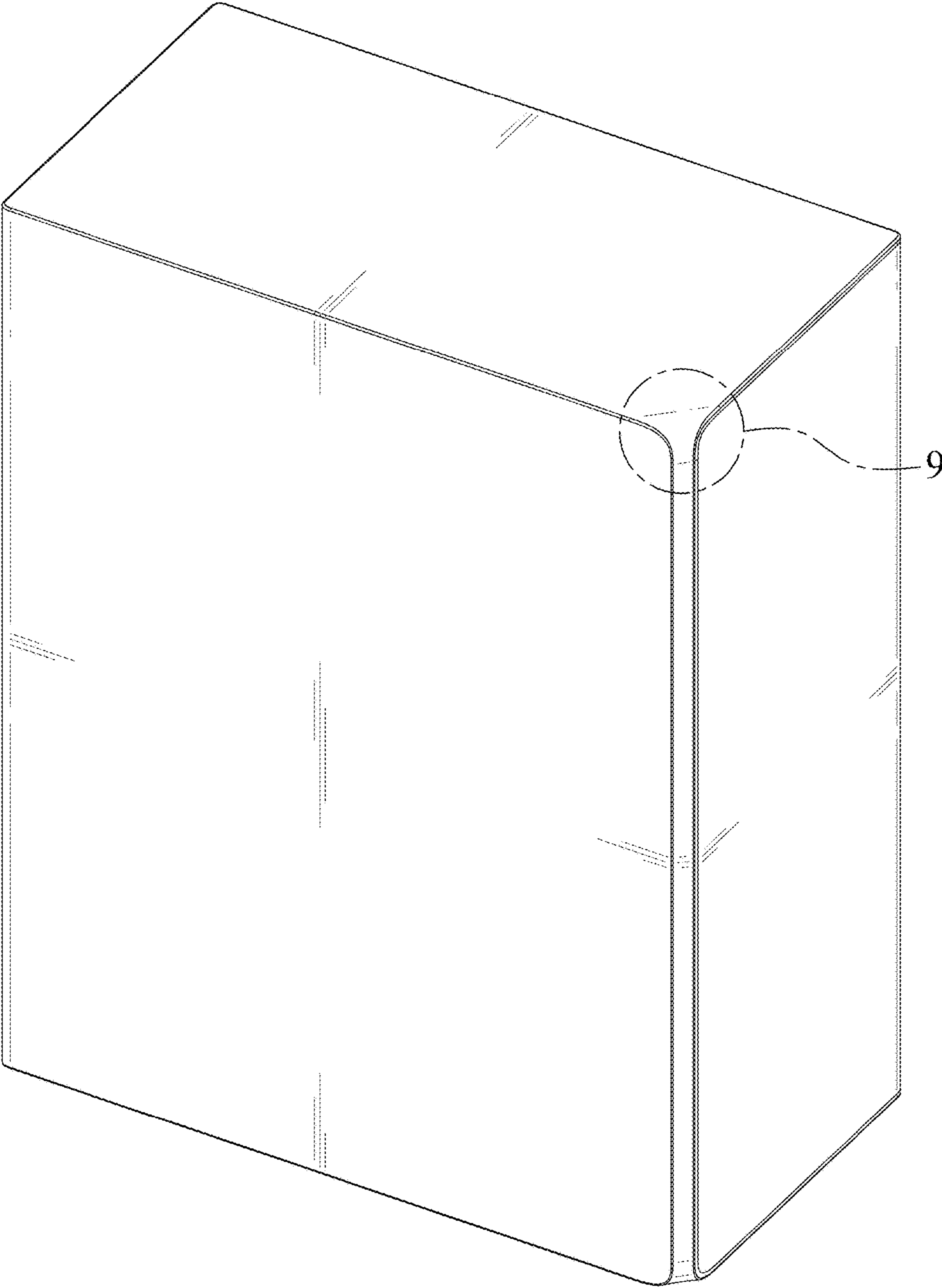


FIG. 2

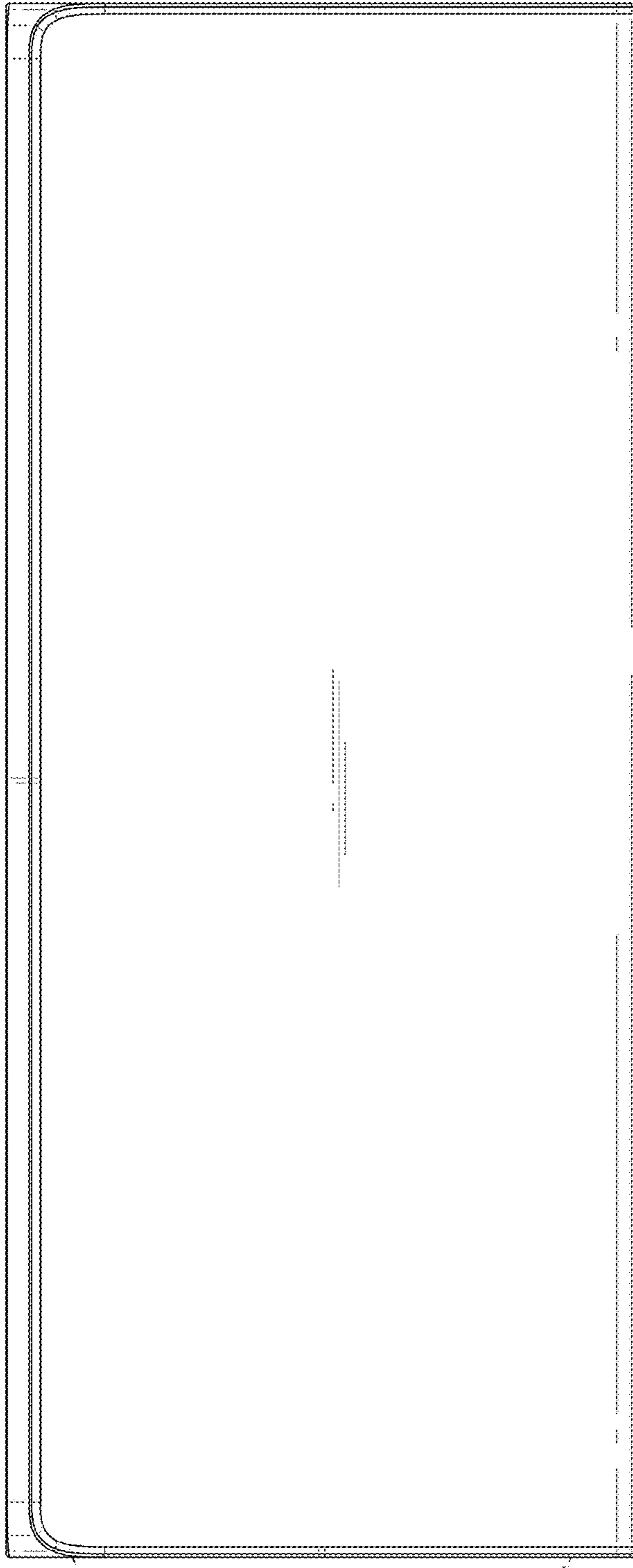


FIG. 3

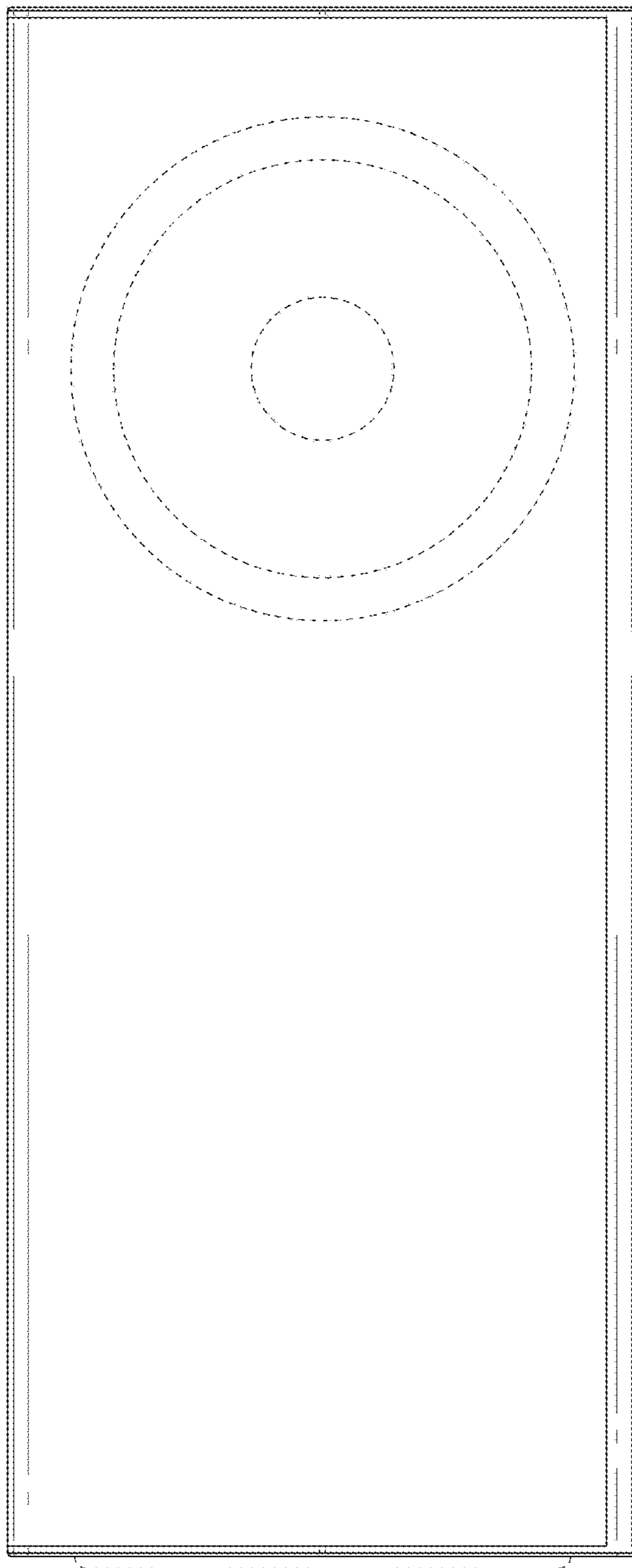


FIG. 4

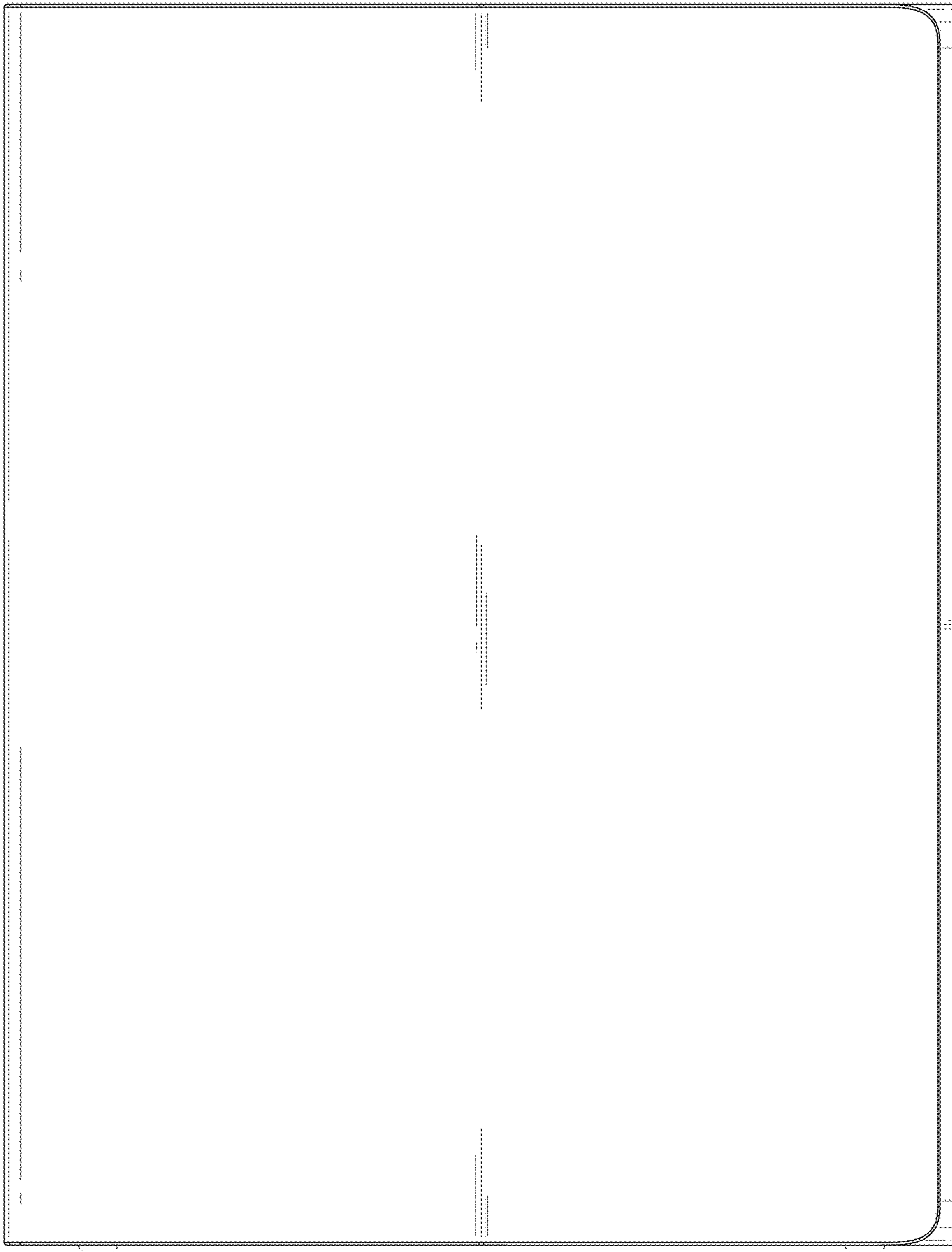


FIG. 5

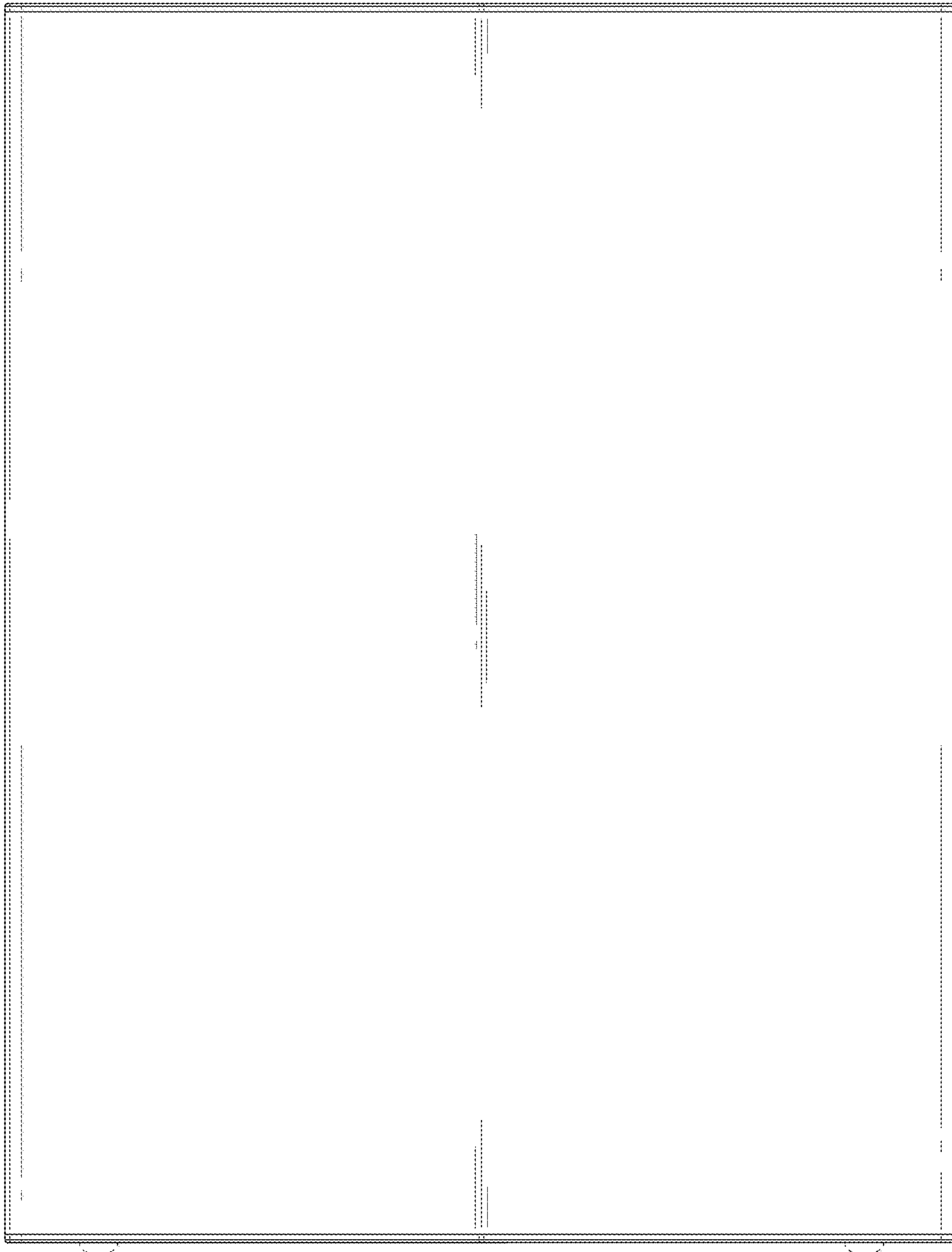


FIG. 6

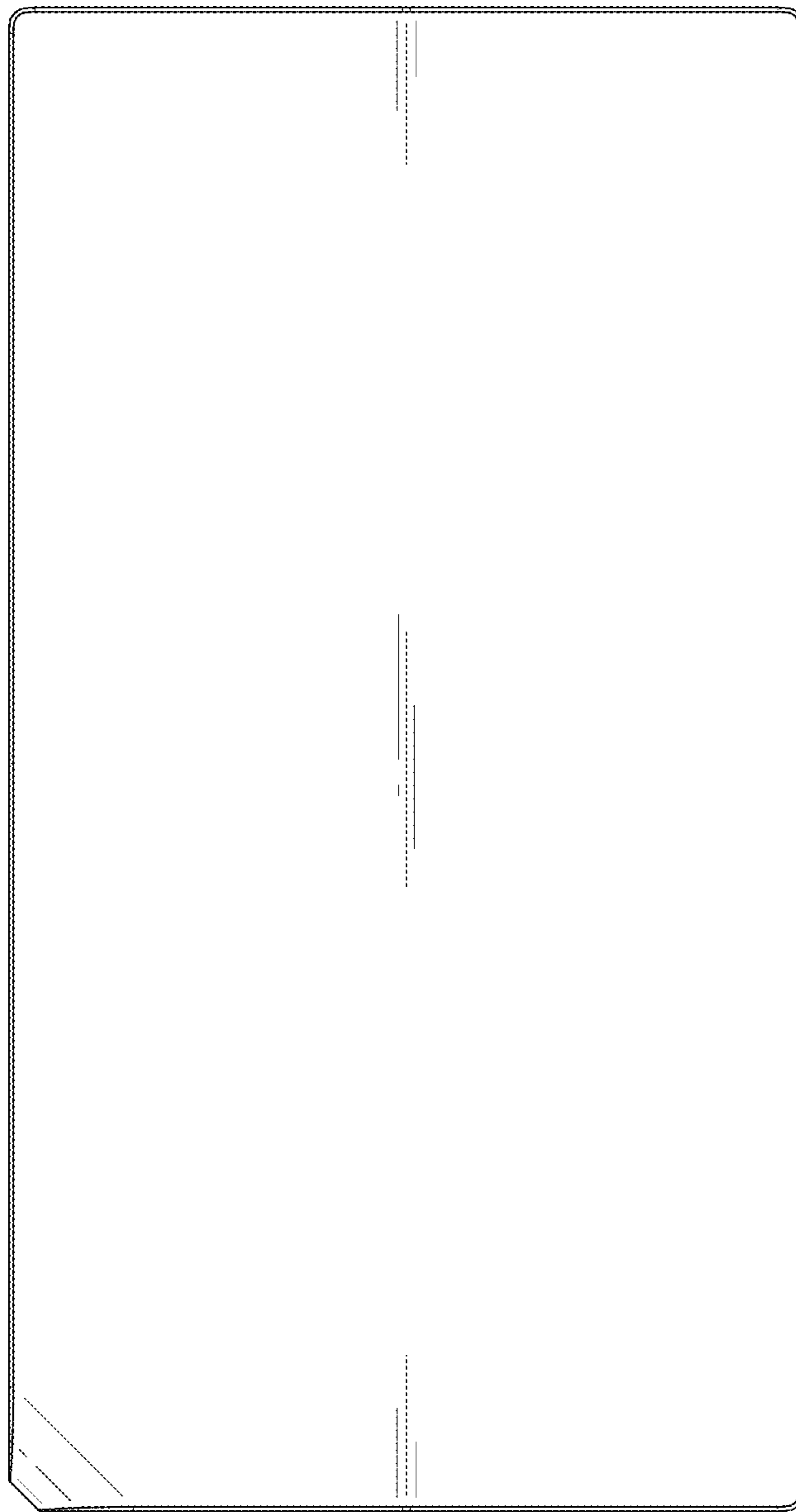




FIG. 7

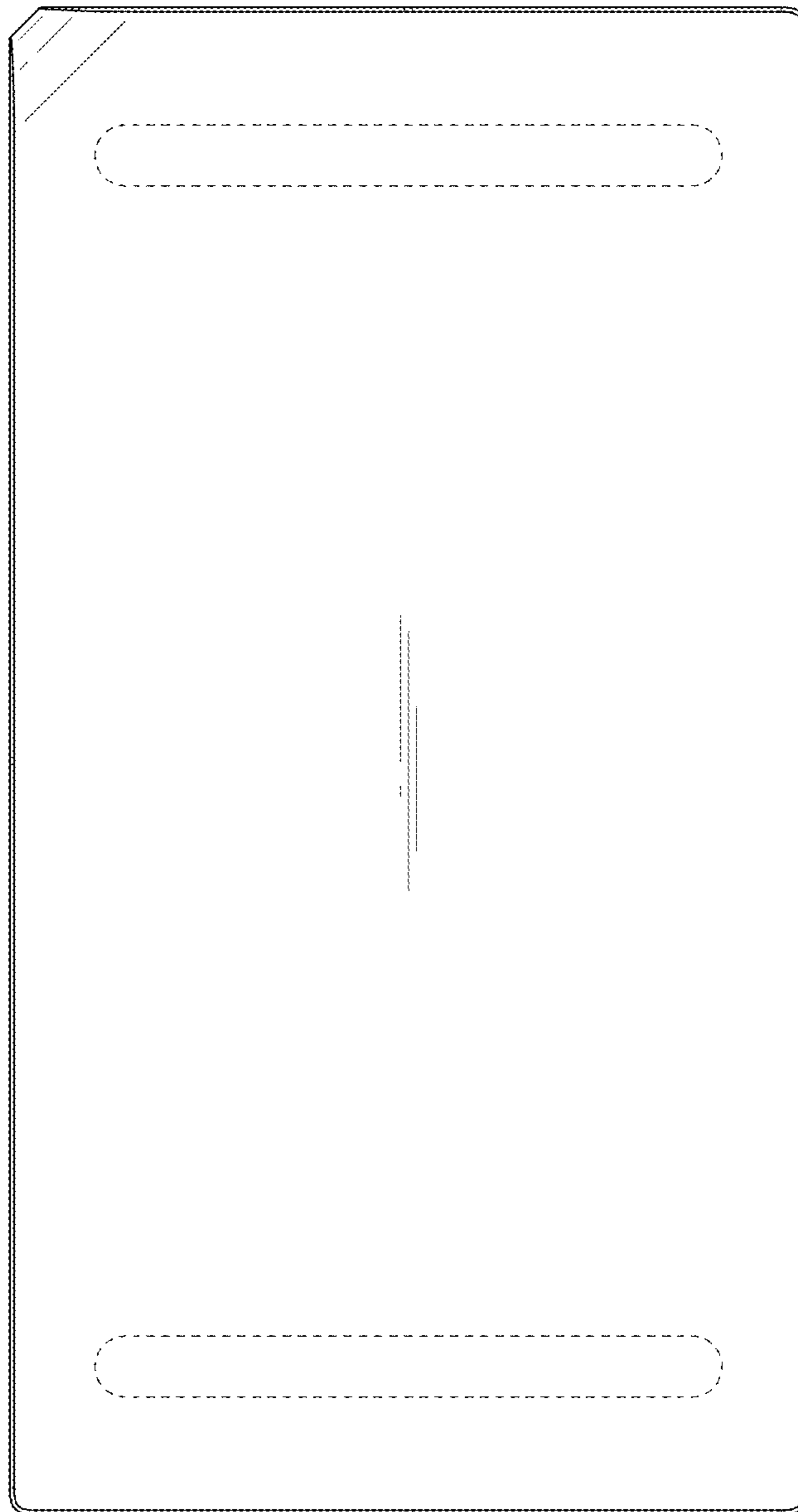


FIG. 8

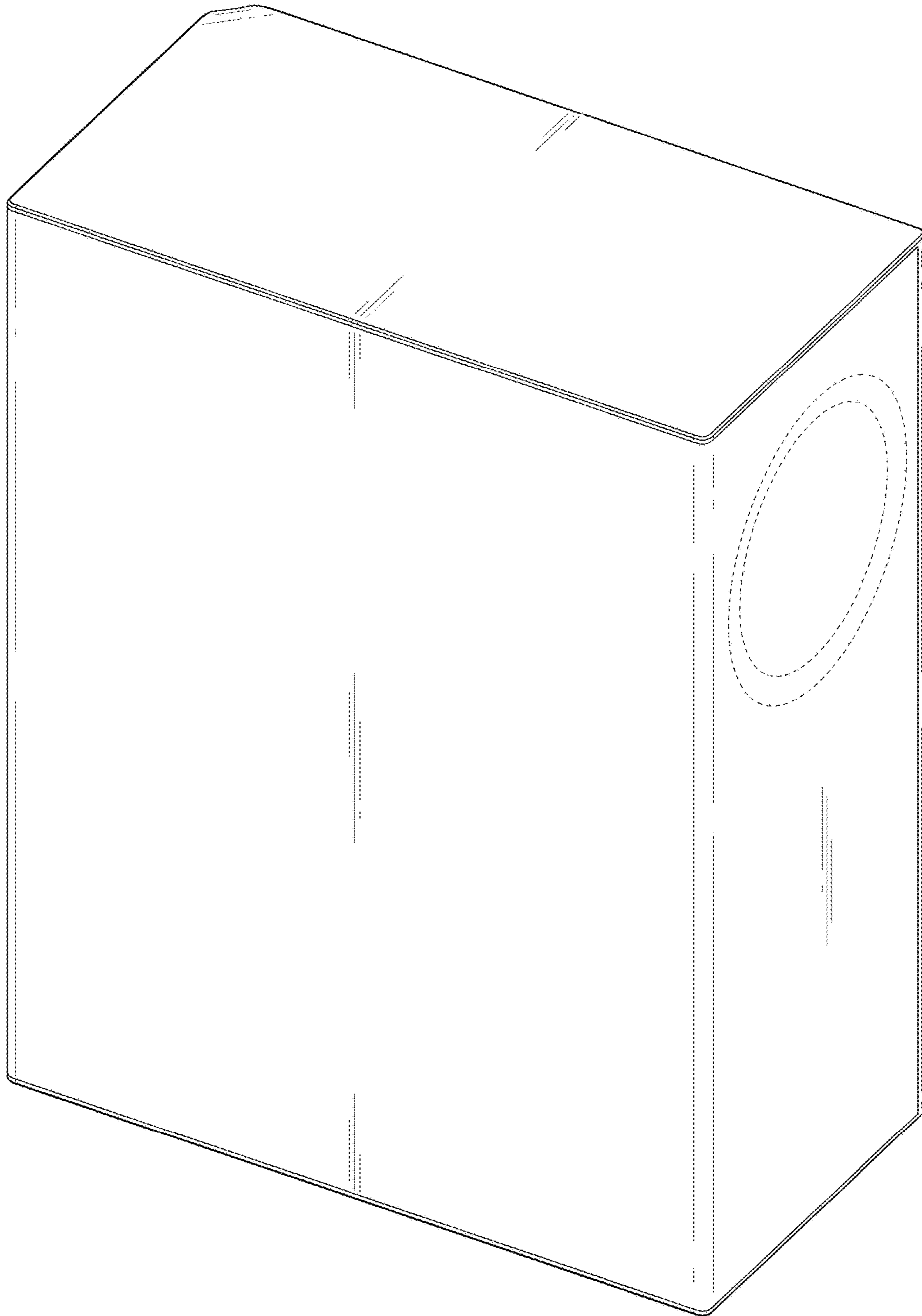


FIG. 9

