



US00D816060S

(12) **United States Design Patent**
Wei

(10) **Patent No.:** **US D816,060 S**
(45) **Date of Patent:** **** Apr. 24, 2018**

- (54) **HEADPHONES**
- (71) Applicant: **Shenzhen Aukey E-Business Co., Ltd.**,
Shenzhen (CN)
- (72) Inventor: **Xinlong Wei**, Shenzhen (CN)
- (73) Assignee: **Shenzhen Aukey E-Business Co., Ltd.**,
Shenzhen (CN)
- (**) Term: **15 Years**
- (21) Appl. No.: **29/584,369**
- (22) Filed: **Nov. 14, 2016**
- (51) **LOC (11) Cl.** **14-01**
- (52) **U.S. Cl.**
USPC **D14/205**
- (58) **Field of Classification Search**
USPC D14/205, 223; D29/112; 2/209;
181/129, 130, 135; 379/430, 431;
455/90.3, 575.1; 381/380, 381, 74, 374,
381/377
CPC H04R 1/10; H04R 1/1066; H04R 1/1016;
H04R 5/033; H04R 5/0335; H04R 25/00;
H04R 1/105; H04R 25/02
See application file for complete search history.

- D643,830 S * 8/2011 Fish D14/205
- D667,817 S * 9/2012 Otani D14/223
- D671,523 S * 11/2012 Daniel D14/206
- D678,858 S * 3/2013 Feng D14/205
- D691,580 S * 10/2013 Cho D14/205
- D703,634 S * 4/2014 Han H04R 1/1016
D14/205
- D716,759 S * 11/2014 Ha D14/205
- 8,908,899 B1 * 12/2014 Yang H04R 1/1033
381/370
- D727,871 S * 4/2015 Orbach D14/205
- D730,867 S * 6/2015 Park D14/205
- D731,999 S * 6/2015 Cephress D14/205
- D739,377 S * 9/2015 Yeom D14/205
- D745,862 S * 12/2015 Otani D14/223
- D756,958 S * 5/2016 Lee D14/205
- D756,959 S * 5/2016 Lee D14/205
- D758,339 S * 6/2016 Lee D14/205
- D763,227 S * 8/2016 Lee D14/205
- D763,822 S * 8/2016 Lee D14/205
- D766,210 S * 9/2016 Graylin D14/205

(Continued)

Primary Examiner — Paula Allen Greene
(74) *Attorney, Agent, or Firm* — JiangIP LLC; Yanling
Jiang

(57) **CLAIM**

The ornamental design for headphones, as shown and described.

(56) **References Cited**

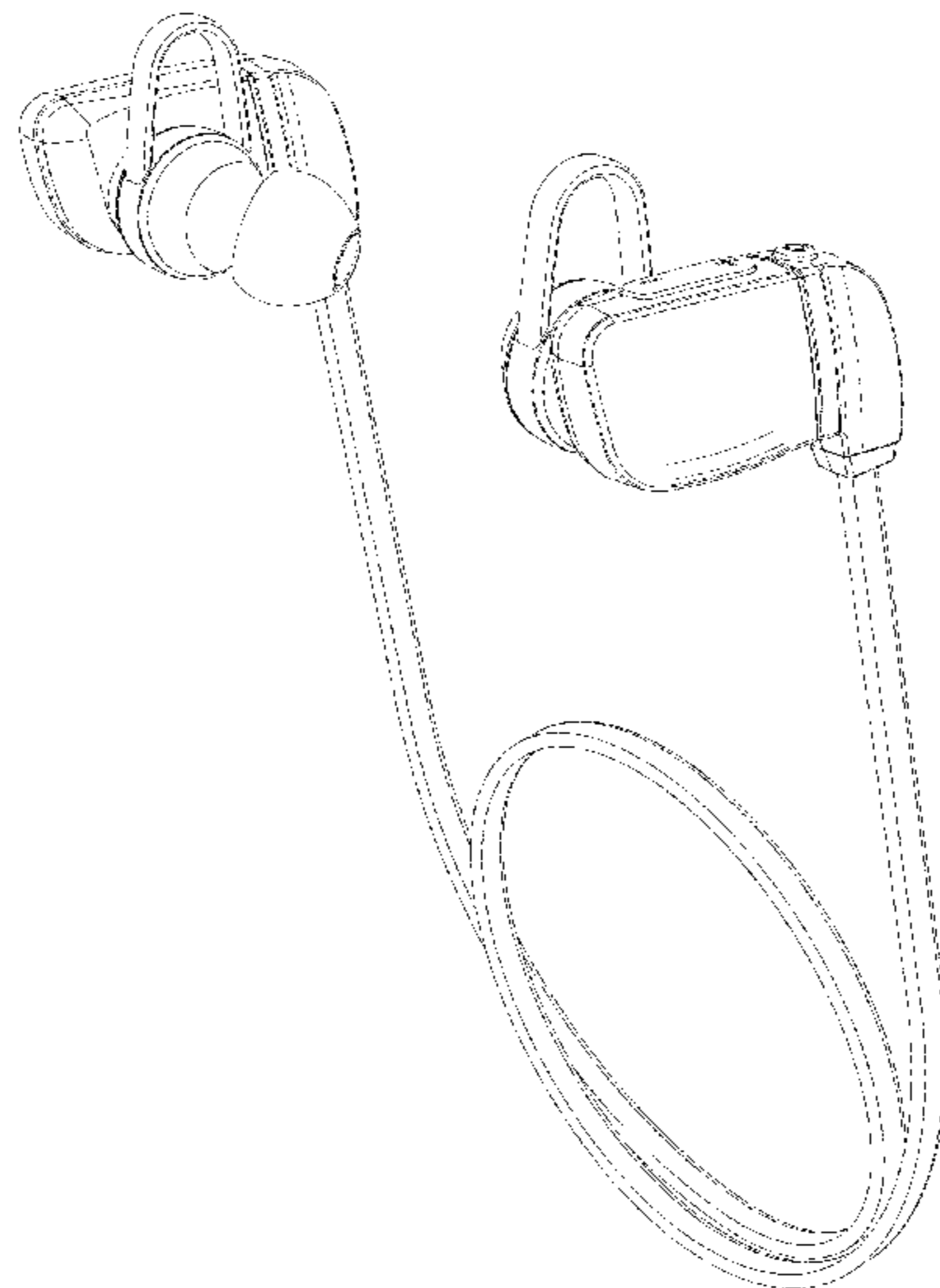
U.S. PATENT DOCUMENTS

- 3,217,831 A * 11/1965 Scanlon G10K 11/22
181/135
- D321,879 S * 11/1991 Emmerling D14/188
- 6,445,805 B1 * 9/2002 Grugel H04R 5/0335
181/129
- D550,202 S * 9/2007 Meier D14/206
- D589,932 S * 4/2009 Komiyama D14/205
- D597,084 S * 7/2009 Gondo D14/223
- 7,648,005 B2 * 1/2010 Leong A61F 11/08
128/867
- D617,308 S * 6/2010 Nousiainen D14/205

DESCRIPTION

FIG. 1 is a perspective view showing headphones.
FIG. 2 is a front view of headphones.
FIG. 3 is a rear view of headphones.
FIG. 4 is a top view of headphones.
FIG. 5 is a bottom view of headphones.
FIG. 6 is a side view of headphones; and,
FIG. 7 is a side view of headphones.
The broken lines depict environment that forms no part of the claimed design.

1 Claim, 7 Drawing Sheets



(56)

References Cited

U.S. PATENT DOCUMENTS

D766,869	S	*	9/2016	Lee	D14/205
D767,532	S	*	9/2016	Jen	D14/205
D768,600	S	*	10/2016	Chen	D14/205
D771,011	S	*	11/2016	Ott	D14/205
D771,013	S	*	11/2016	Yang	D14/205
D771,587	S	*	11/2016	Iwane	D14/205
D772,194	S	*	11/2016	Choe	D14/205
D772,195	S	*	11/2016	Lee	D14/205
D772,196	S	*	11/2016	Choi	D14/205
D772,843	S	*	11/2016	Lee	D14/205
D772,845	S	*	11/2016	Lim	D14/205
D773,439	S	*	12/2016	Walker	D14/205
D774,017	S	*	12/2016	Ahn	D14/205
D774,490	S	*	12/2016	Lin	D14/205
D775,610	S	*	1/2017	Nakajima	D14/223
D778,257	S	*	2/2017	Hu	D14/205
D780,157	S	*	2/2017	Uggla	D14/205
D780,714	S	*	3/2017	Vogt, Jr.	D14/205
D782,442	S	*	3/2017	Chen	D14/205
D782,996	S	*	4/2017	Zhu	D14/205
D785,594	S	*	5/2017	Zaihui	D14/205
D790,501	S	*	6/2017	Wang	D14/205
D796,475	S	*	9/2017	Wang	D14/205
2007/0230735	A1	*	10/2007	Sung	H04R 1/1058 381/374
2008/0075315	A1	*	3/2008	Yu	H04R 1/1033 381/374
2010/0166208	A1	*	7/2010	Kato	H04R 1/1033 381/74
2011/0170702	A1	*	7/2011	Bays	H04R 5/0335 381/74
2014/0138150	A1	*	5/2014	Huang	H04R 1/1033 174/71 R
2016/0037248	A1	*	2/2016	Cheng	H04R 1/105 381/74

* cited by examiner

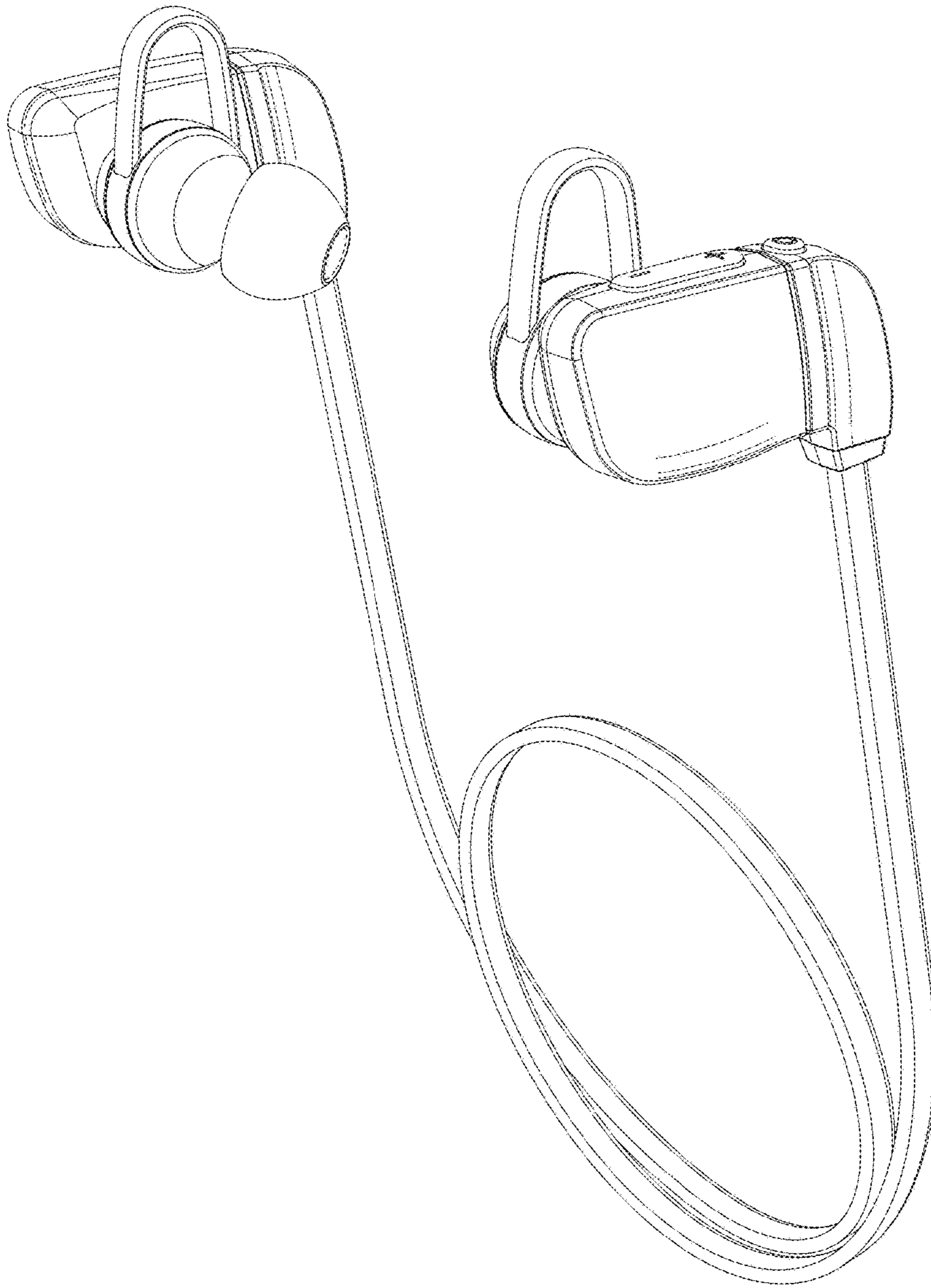


Fig. 1

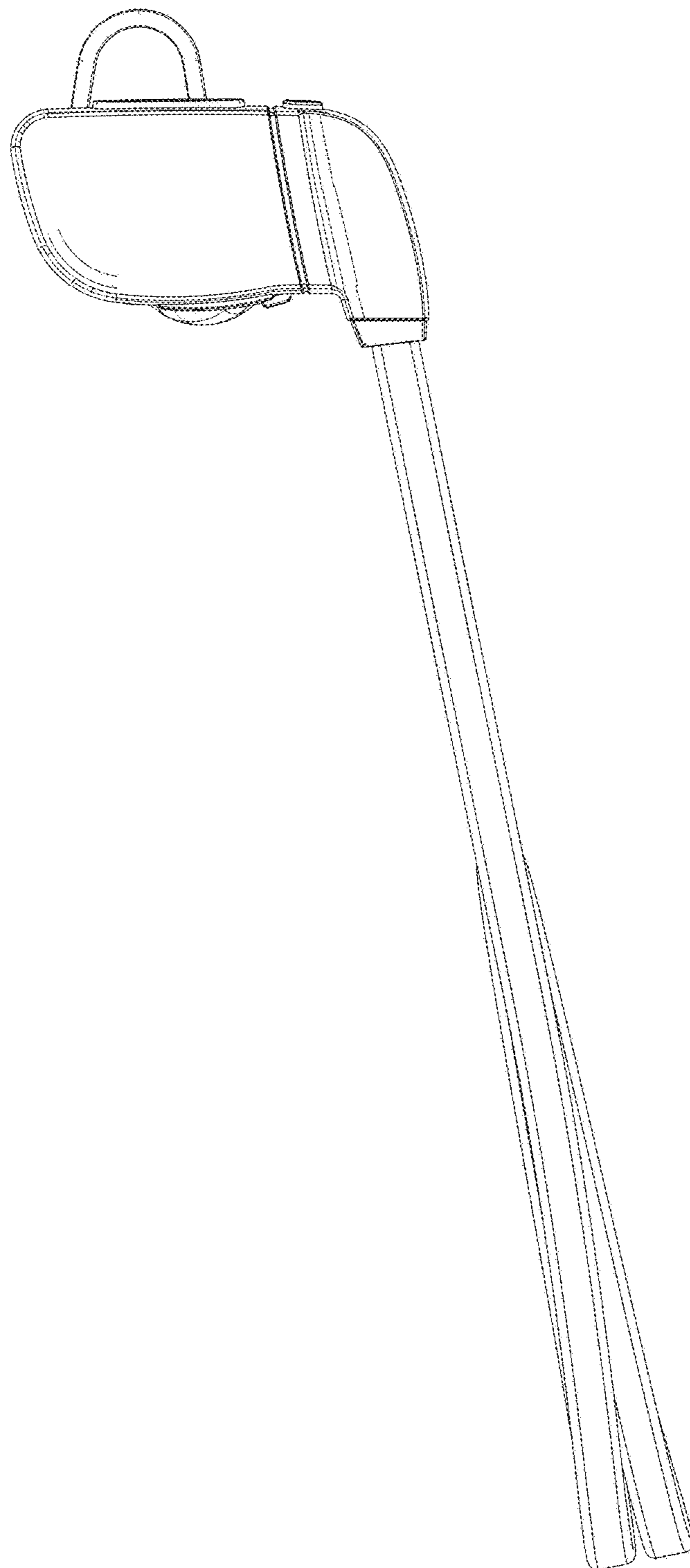


Fig. 2

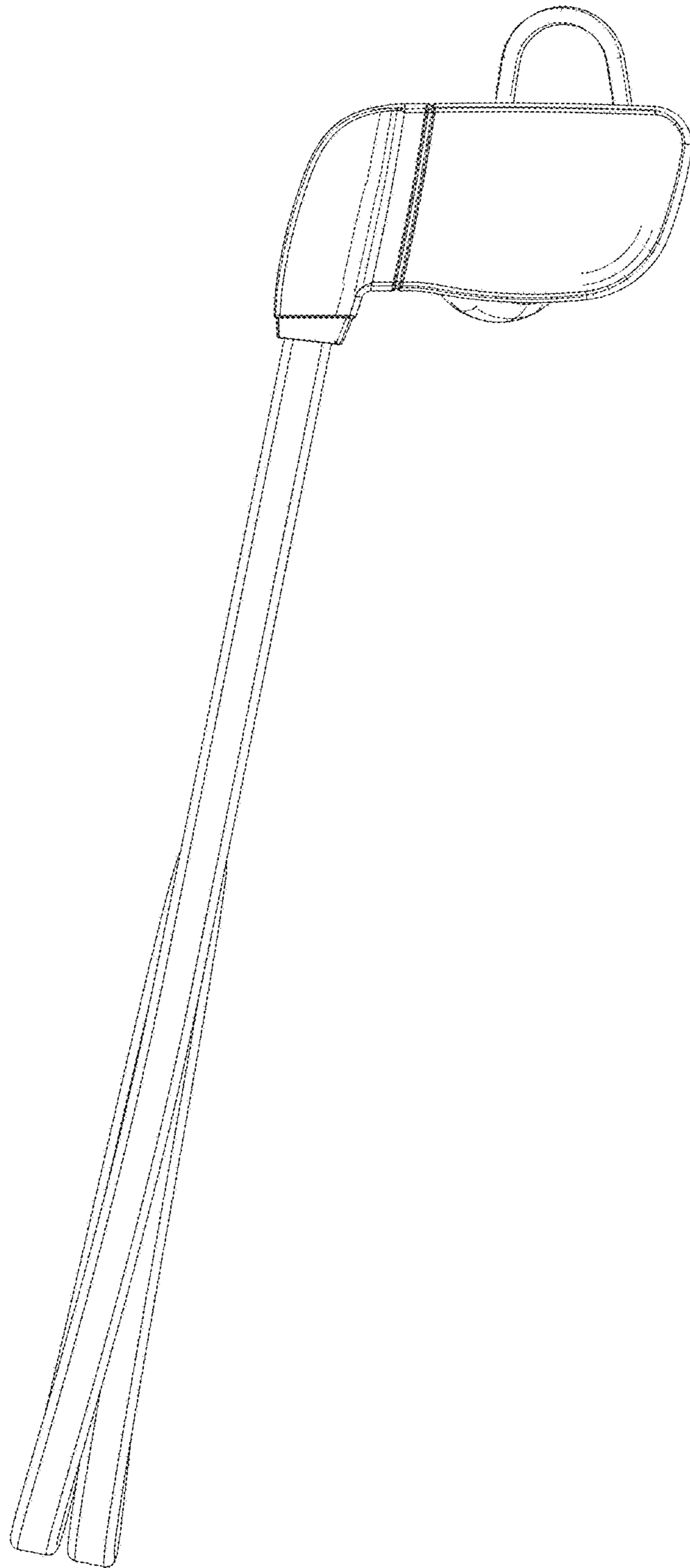


Fig. 3

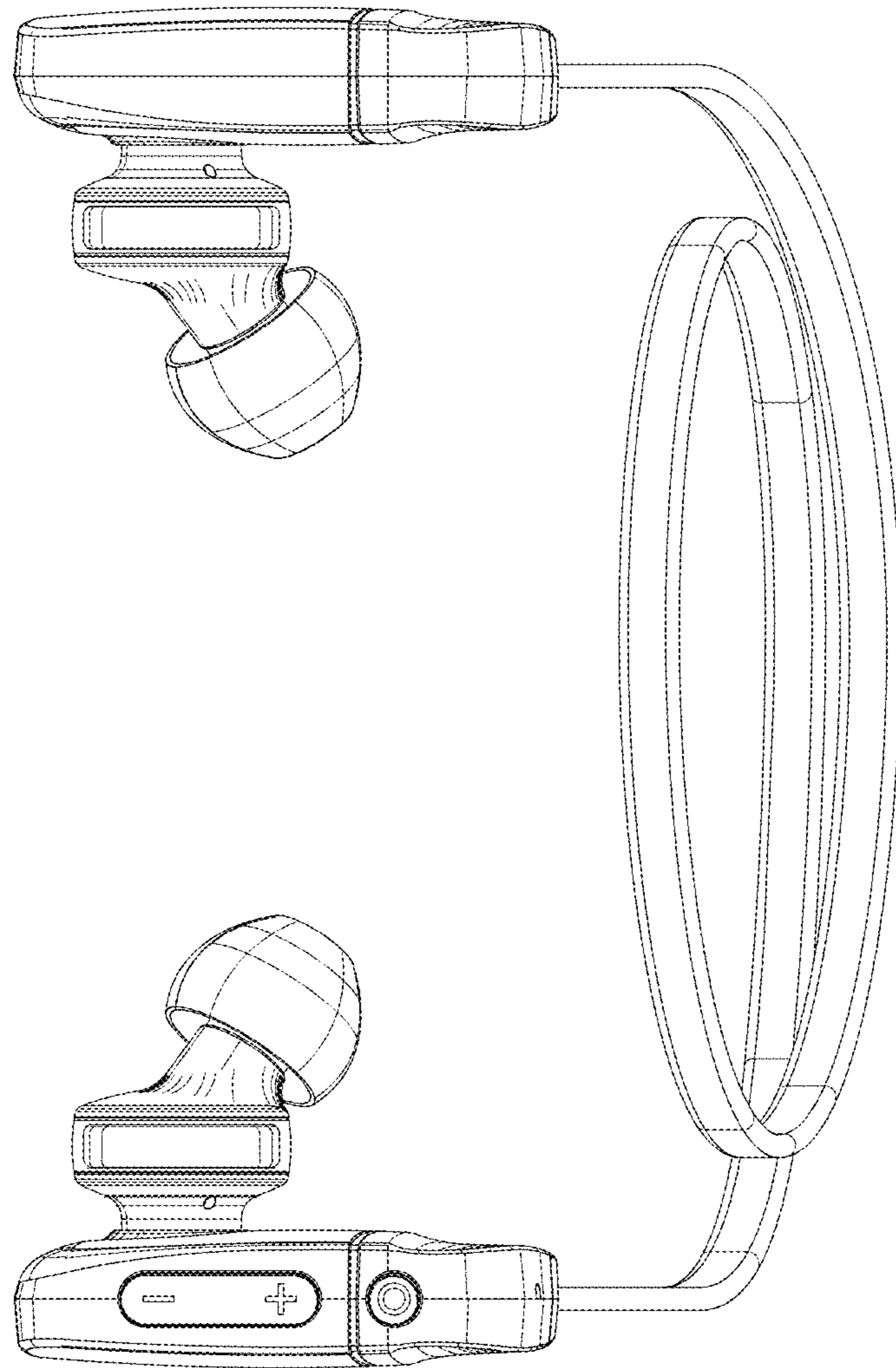


Fig. 4

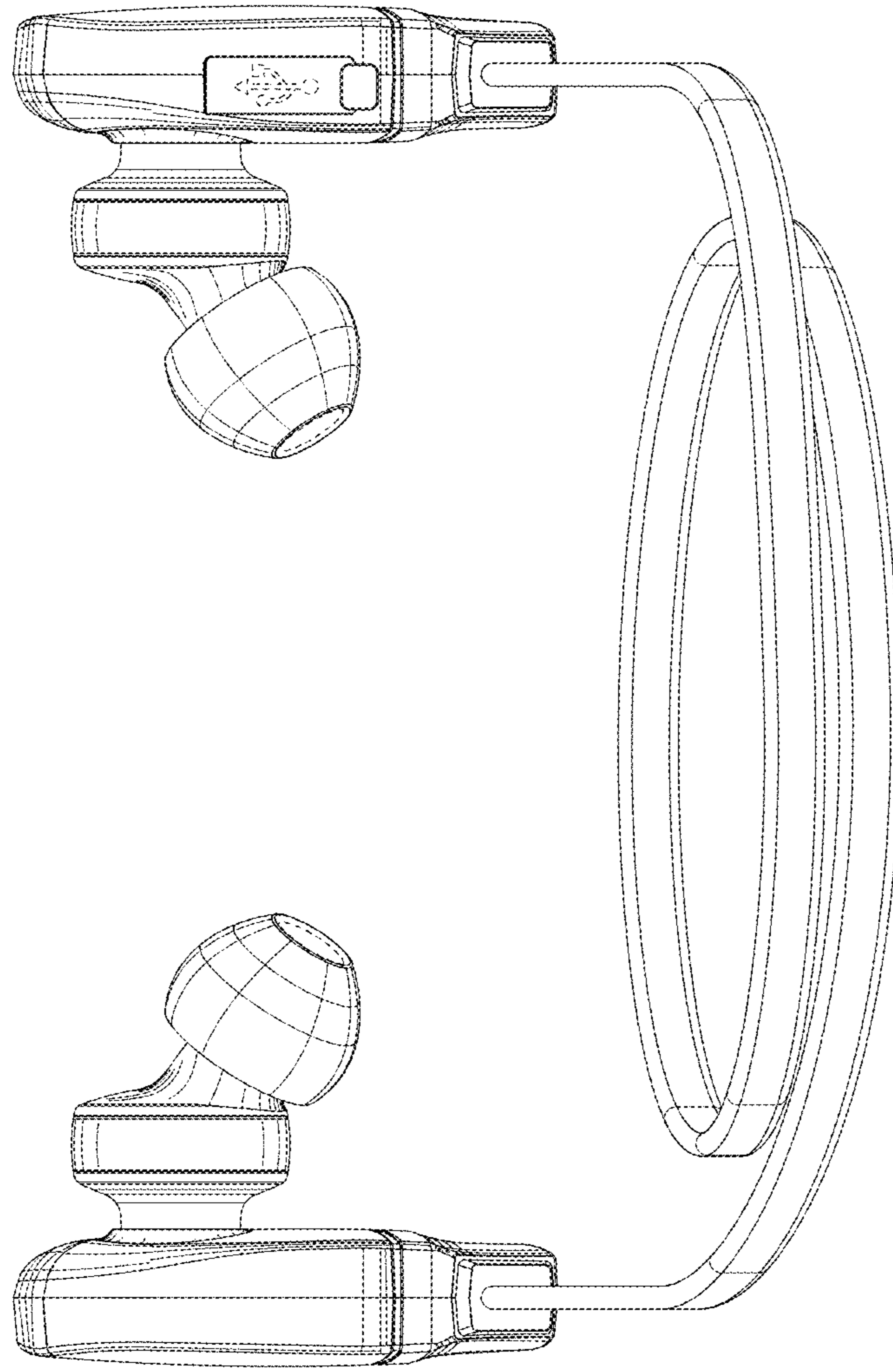


Fig. 5

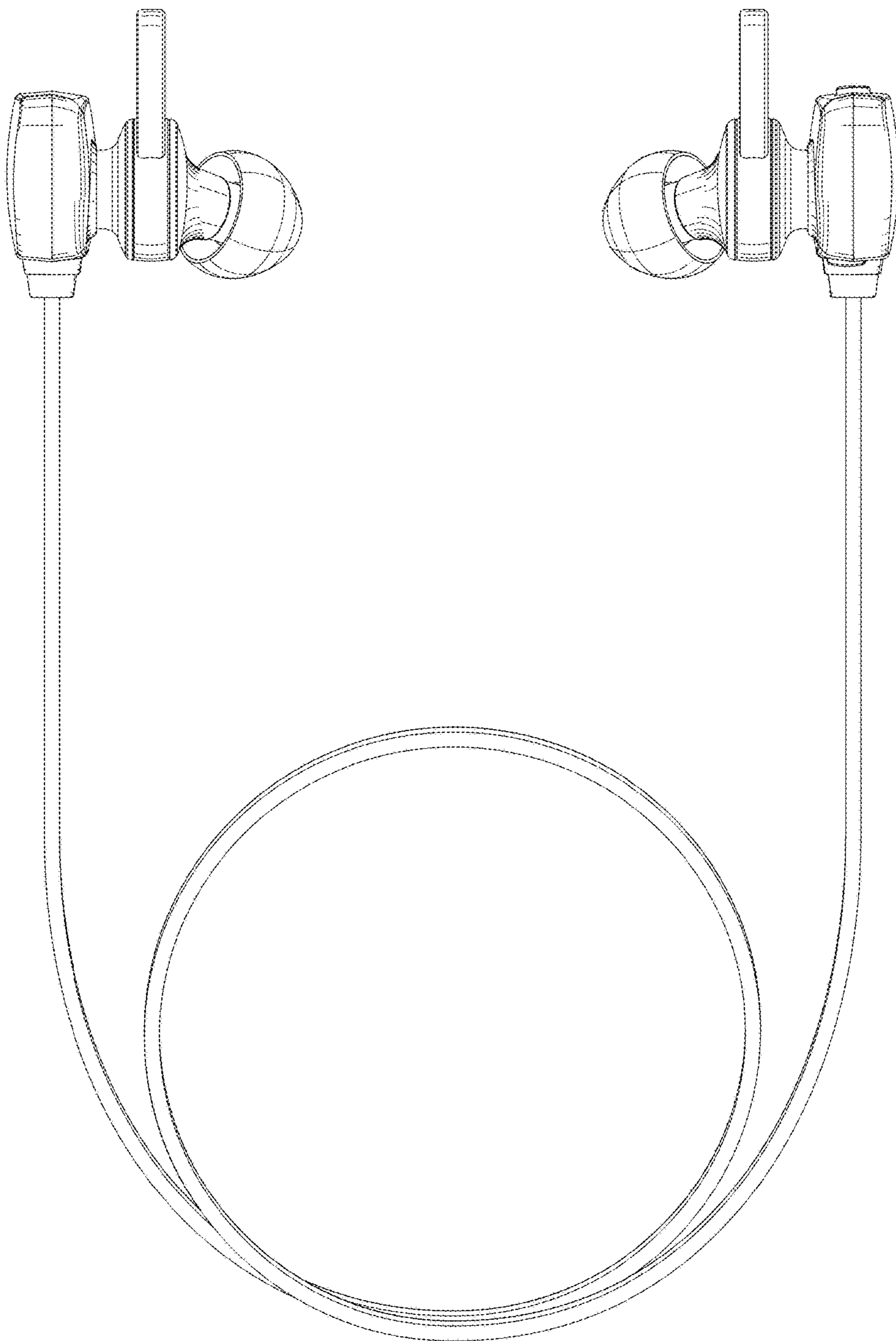


Fig. 6

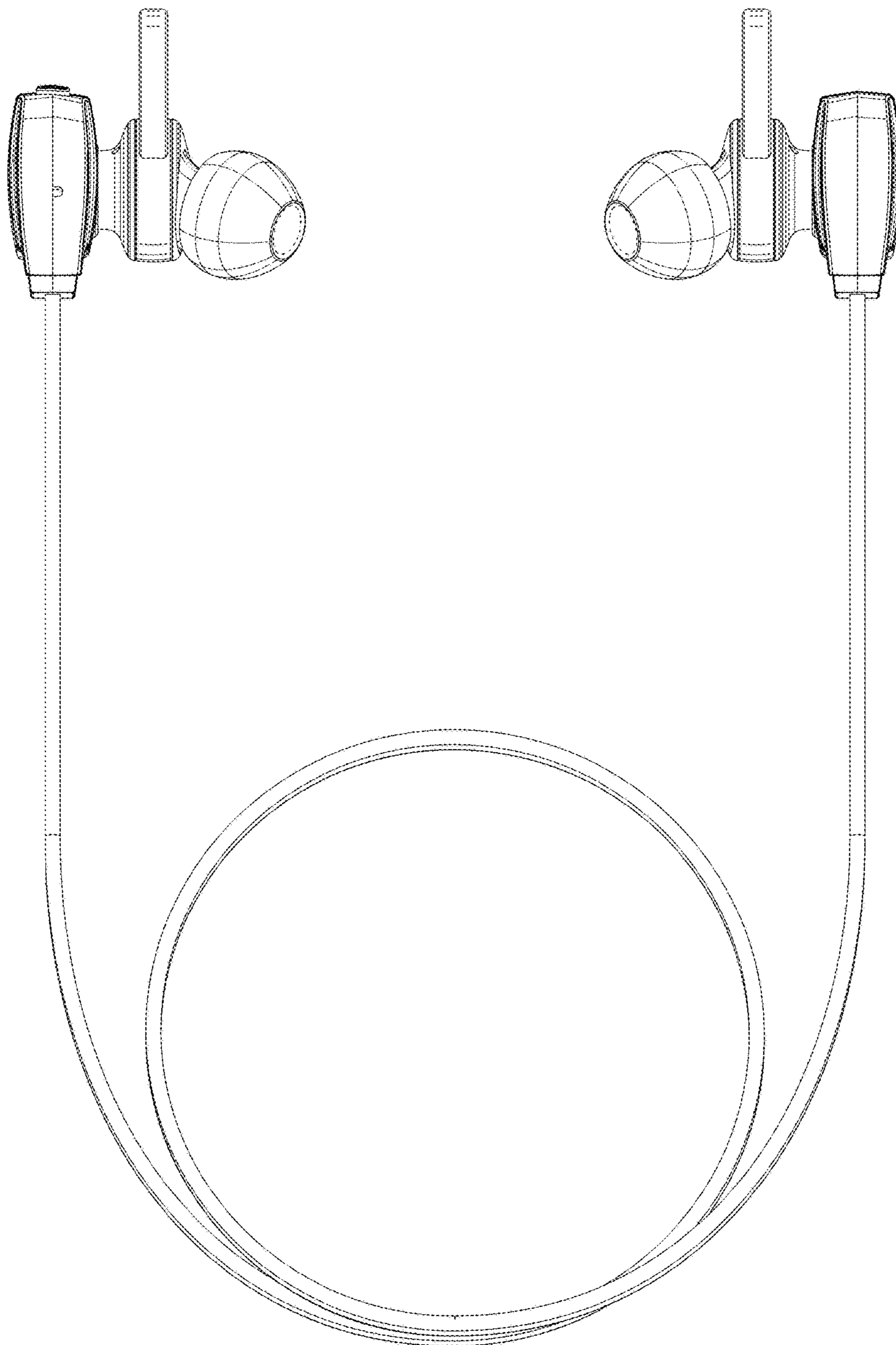


Fig. 7