



US00D816058S

(12) **United States Design Patent** (10) **Patent No.:** **US D816,058 S**
Zeng (45) **Date of Patent:** **** Apr. 24, 2018**

(54) **RADIO CORE**

(56) **References Cited**

(71) Applicant: **Shenzhen Airmart Technology Co., Ltd**, Shenzhen, Guangdong (CN)

U.S. PATENT DOCUMENTS

(72) Inventor: **Dejun Zeng**, Guangdong (CN)

| | | | | |
|--------------|--------|----------|-------|-----------|
| D471,172 S * | 3/2003 | Greenway | | D14/155 |
| D572,230 S * | 7/2008 | Neu | | D14/155 |
| D585,048 S * | 1/2009 | Uchimura | | D14/155 |
| D615,438 S * | 5/2010 | Goetzl | | D10/104.1 |
| D682,806 S * | 5/2013 | Smith | | D14/155 |
| D722,584 S * | 2/2015 | Chen | | D14/155 |
| D726,681 S * | 4/2015 | Liu | | D14/155 |
| D738,347 S * | 9/2015 | Reimer | | D14/155 |
| D747,695 S * | 1/2016 | Breines | | D14/155 |
| D781,811 S * | 3/2017 | Chanay | | D14/155 |
| D808,356 S * | 1/2018 | Miller | | D14/155 |

(73) Assignee: **SHENZHEN AIRSMART TECHNOLOGY CO., LTD**, Shenzhen (CN)

(**) Term: **15 Years**

* cited by examiner

(21) Appl. No.: **29/603,950**

Primary Examiner — Austin Murphy

(22) Filed: **May 15, 2017**

(30) **Foreign Application Priority Data**

(57) **CLAIM**

Mar. 20, 2017 (CN) 2017 3 0081647

The ornamental design for a radio core, as shown and described.

(51) **LOC (11) Cl.** **14-03**

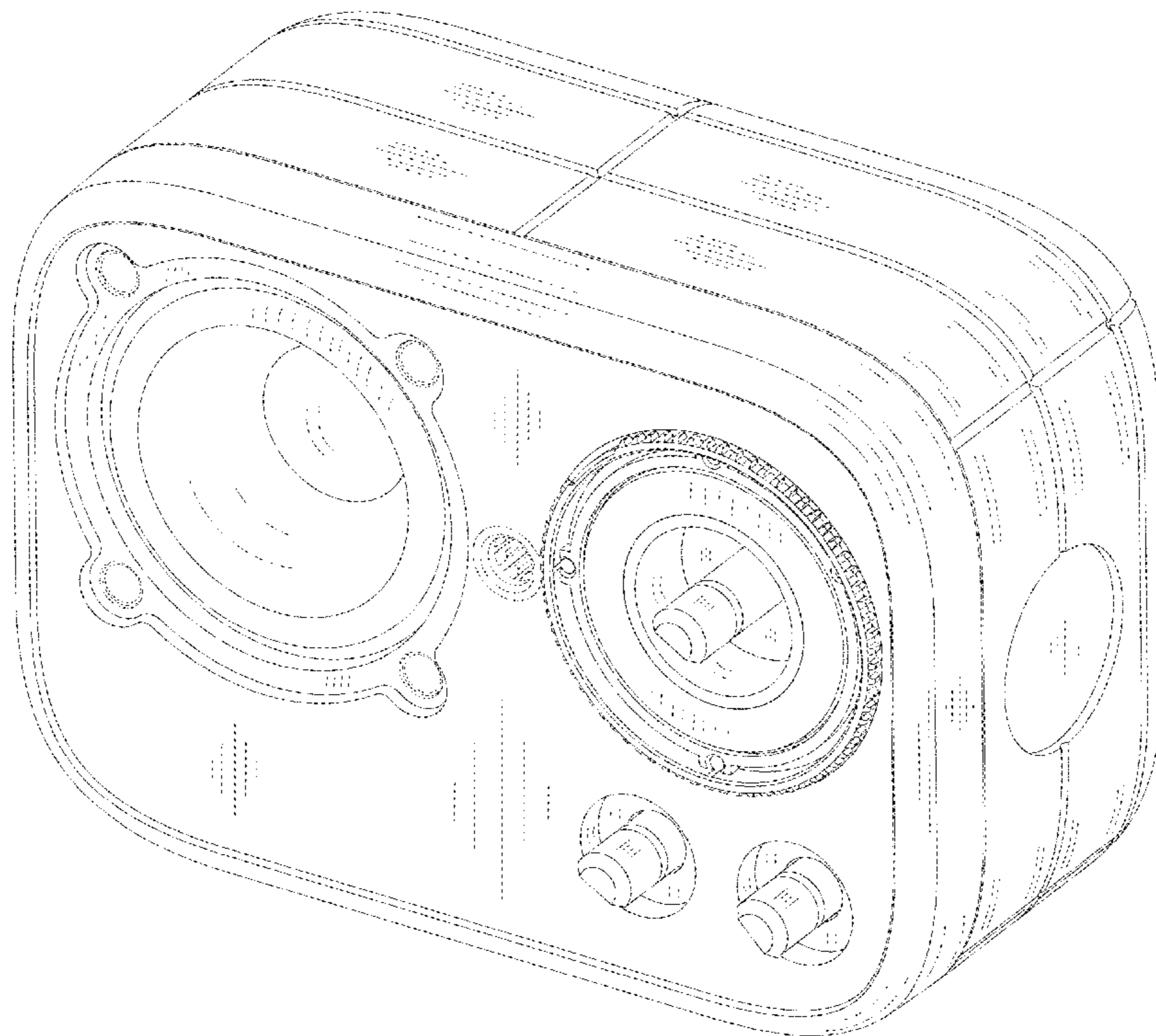
DESCRIPTION

(52) **U.S. Cl.**
USPC **D14/155**

(58) **Field of Classification Search**
USPC D14/167, 154, 168, 188, 496, 156, 160,
D14/161, 162, 163, 164, 165, 158, 159,
D14/341, 346, 342, 345, 137, 155, 218,
D14/225; D16/208; D26/38; 455/351,
455/350; D10/104.1, 106, 65; D3/207
CPC H04B 1/385; H04M 1/6091; H04M 1/6066
See application file for complete search history.

FIG. 1 is a first perspective view of a radio core showing my new design;
FIG. 2 is a second perspective view thereof;
FIG. 3 is a third perspective view thereof;
FIG. 4 is a fourth perspective view thereof; and,
FIG. 5 is a fifth perspective view thereof.
The broken lines in the drawings illustrate portions of the radio core which form no part of the claimed design.

1 Claim, 5 Drawing Sheets



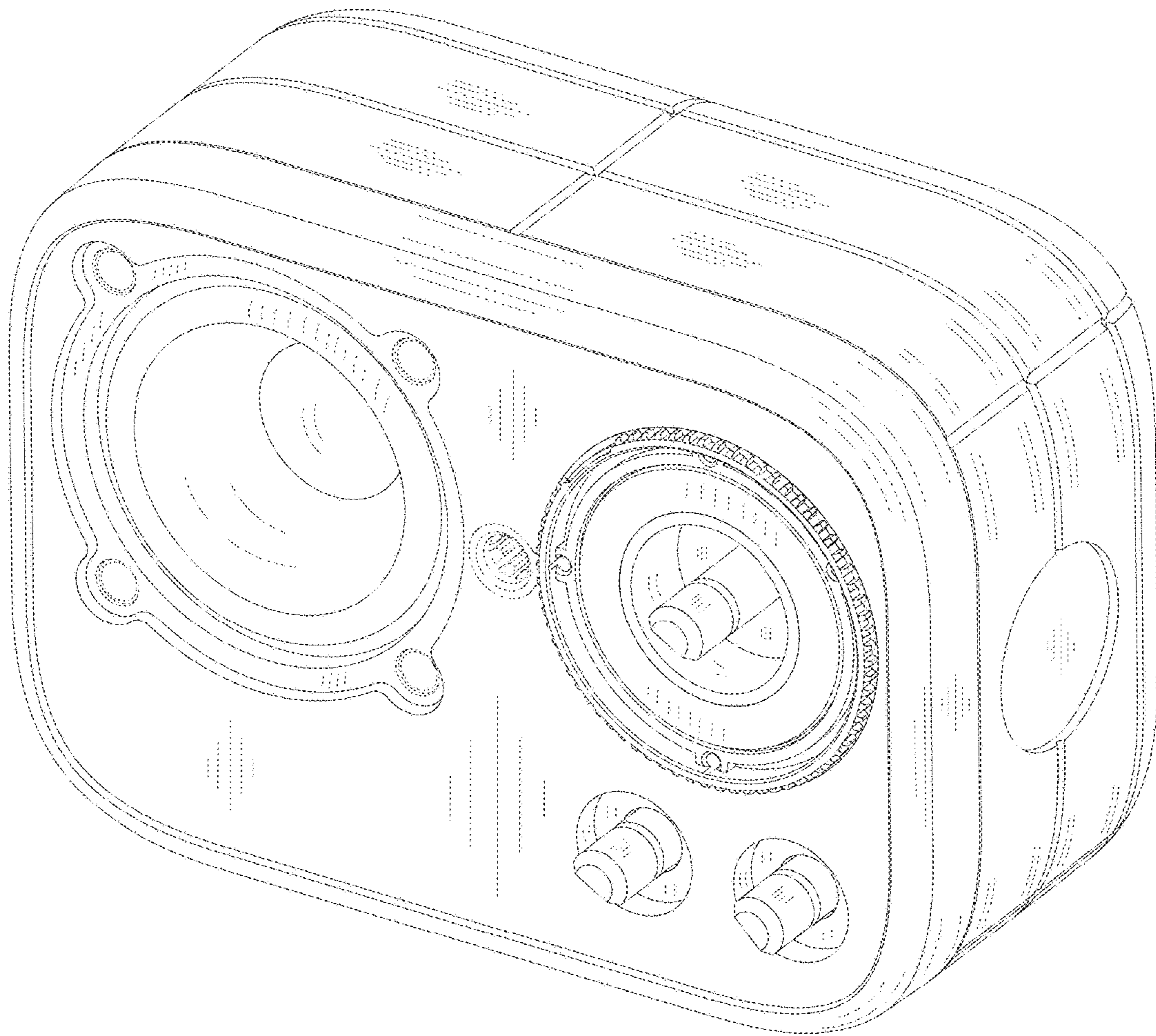


Fig. 1

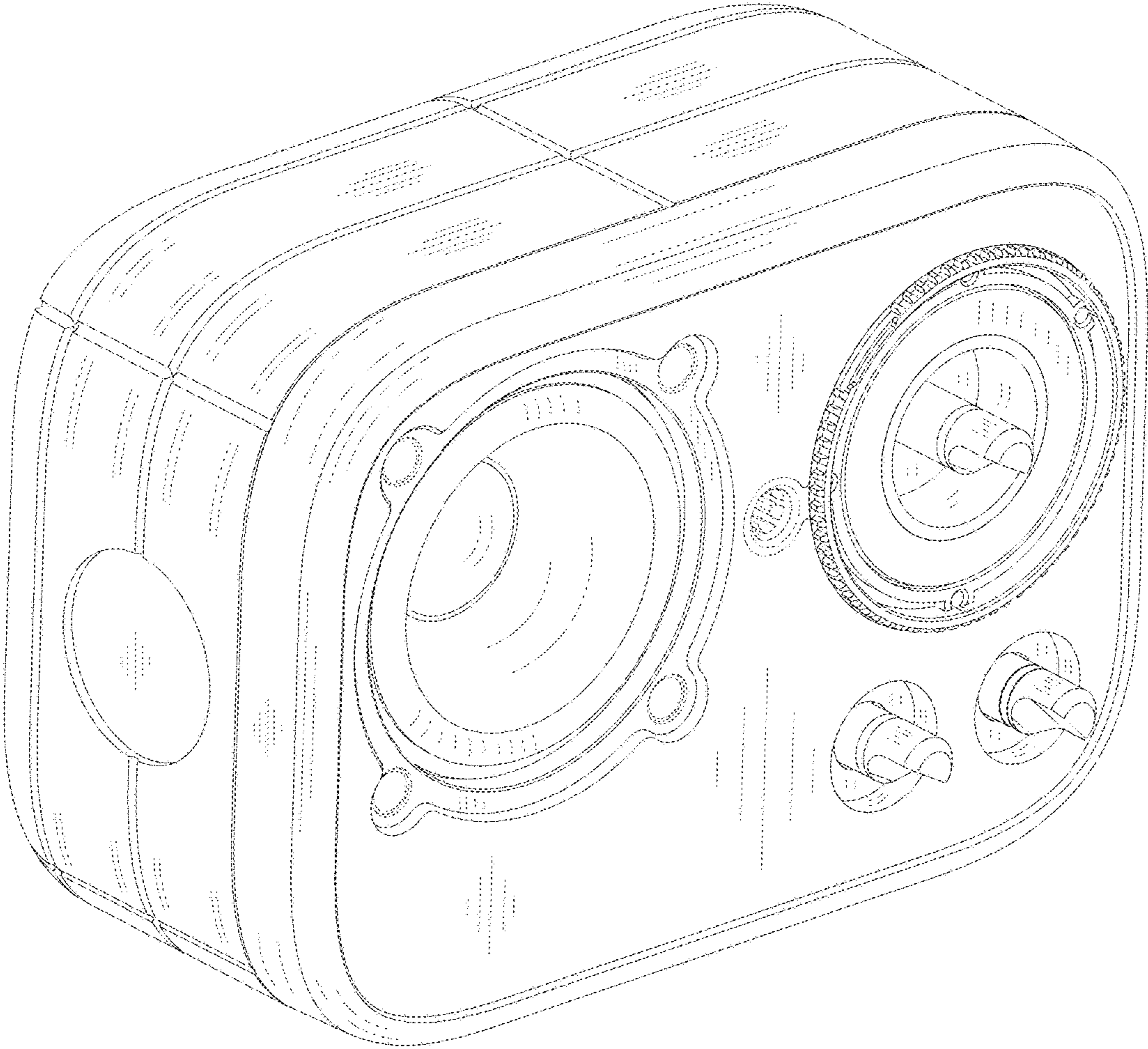


Fig. 2

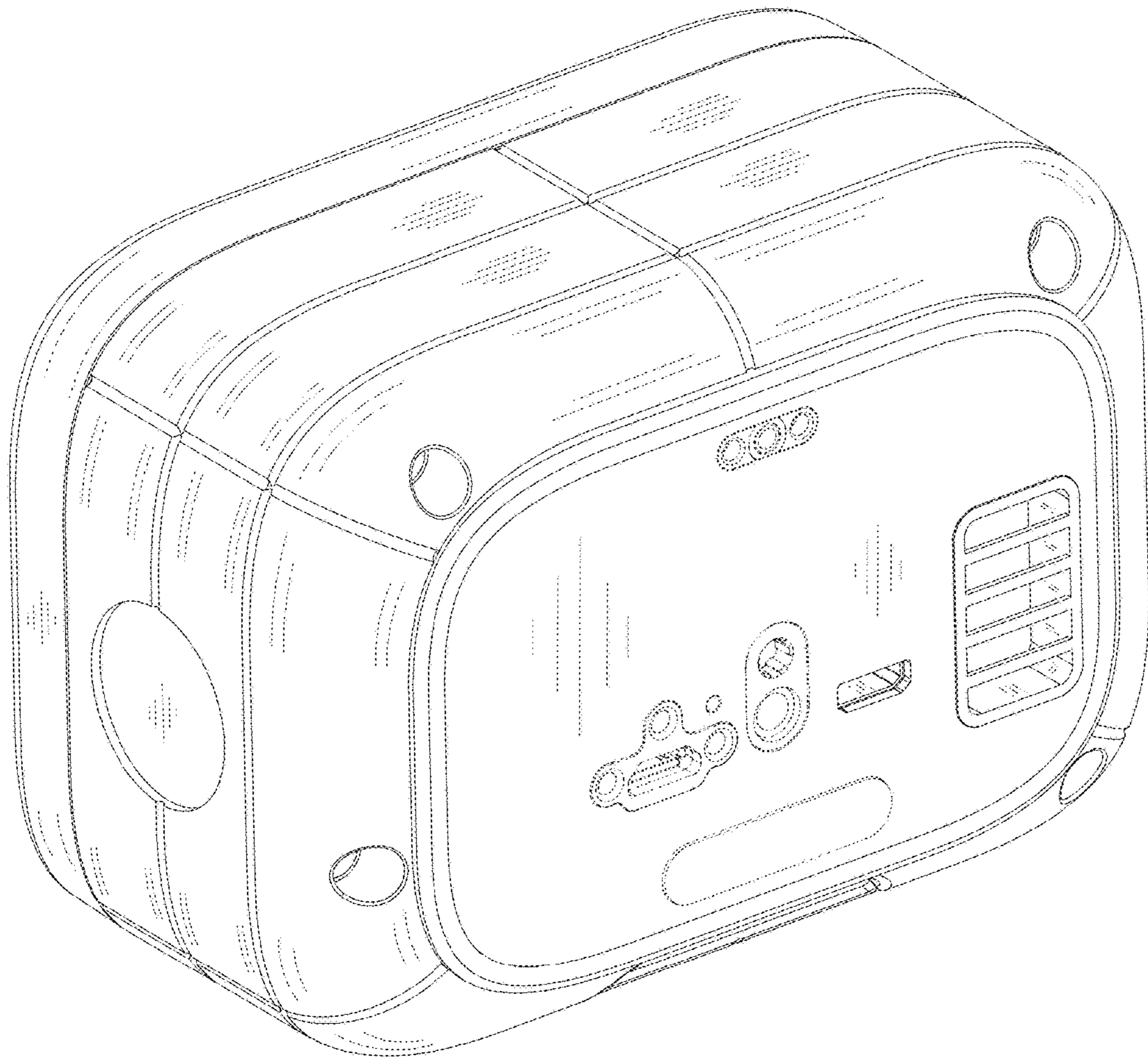


Fig. 3

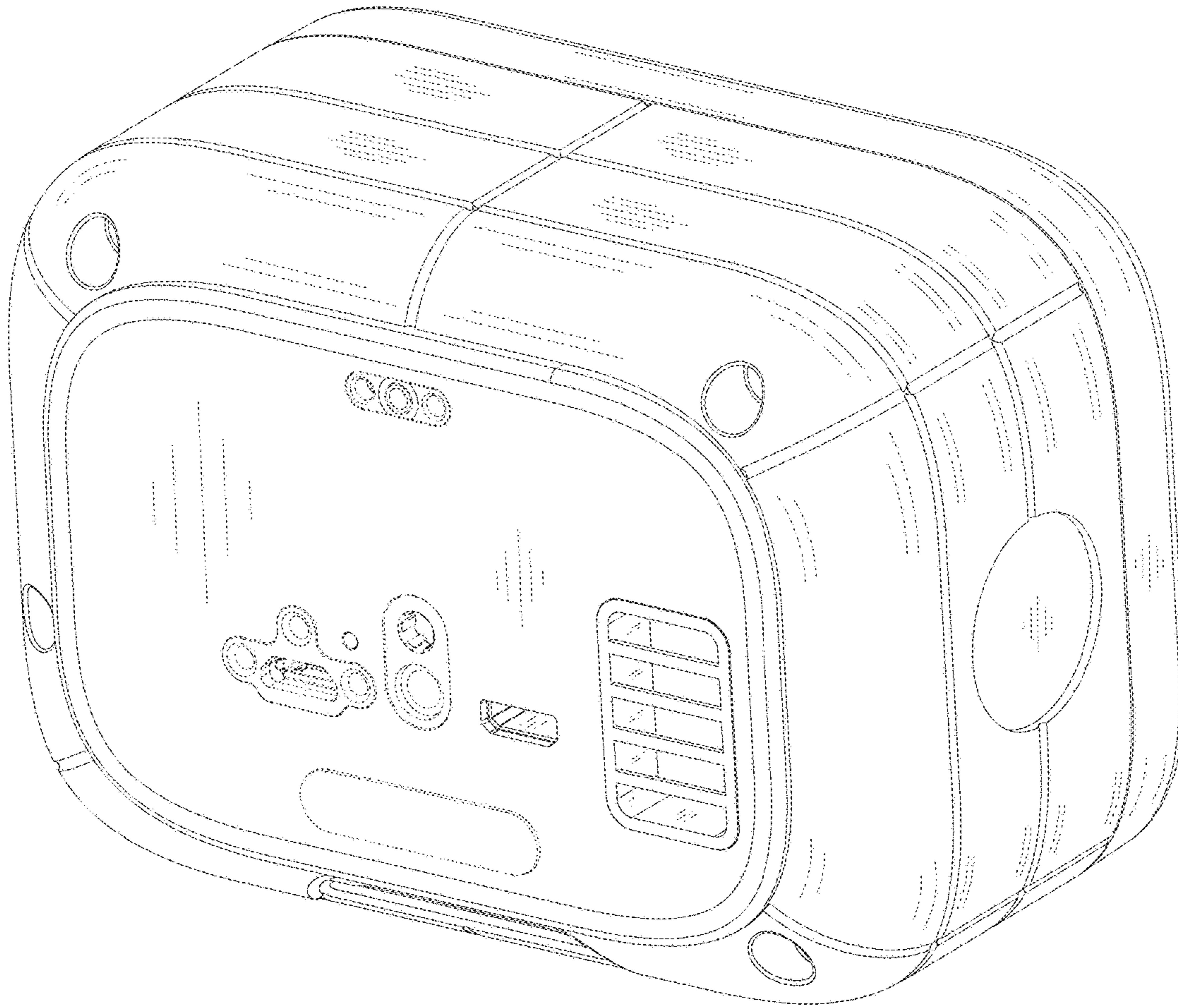


Fig. 4

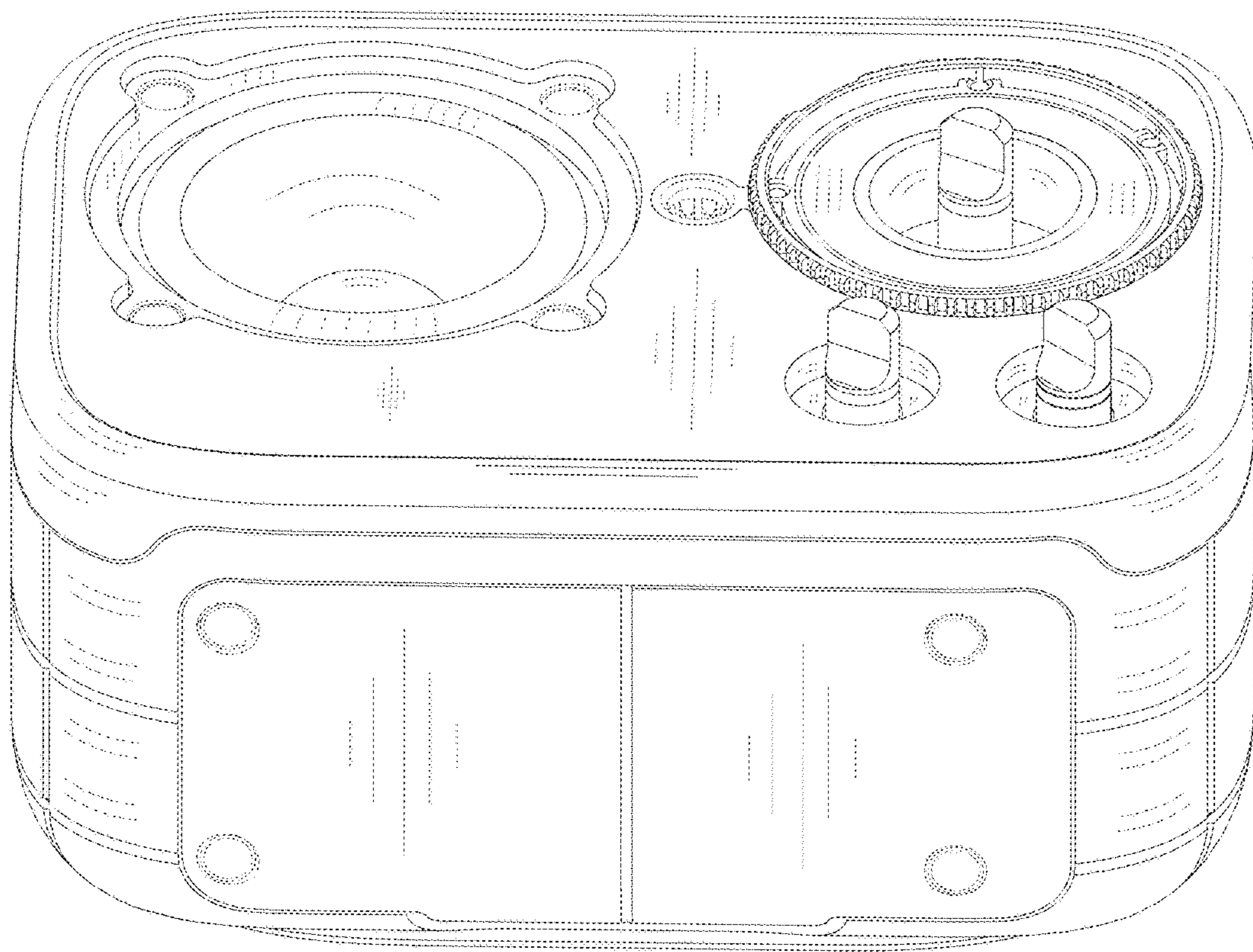


Fig. 5