



US00D816053S

(12) **United States Design Patent** (10) **Patent No.:** **US D816,053 S**  
**Pallakoff et al.** (45) **Date of Patent:** **\*\* Apr. 24, 2018**

(54) **PERSONAL COMMUNICATOR**

(71) Applicants: **Matt Pallakoff**, Mountain View, CA (US); **Sagar Sahoo**, Cupertino, CA (US)

(72) Inventors: **Matt Pallakoff**, Mountain View, CA (US); **Sagar Sahoo**, Cupertino, CA (US)

(\*\*) Term: **15 Years**

(21) Appl. No.: **29/574,917**

(22) Filed: **Aug. 19, 2016**

(51) **LOC (11) Cl.** ..... **14-03**

(52) **U.S. Cl.**  
USPC ..... **D14/137**

(58) **Field of Classification Search**

USPC ..... D14/137, 138 R, 140, 141.1, 142, 144, D14/147, 149, 150, 155, 168, 172, 185, D14/186, 204, 209.1, 211, 212, 213, 215, D14/216, 221, 238.1, 240, 242, 243, 244, D14/248, 249, 299, 496, 344, 356, 358, D14/432, 454, 388, 218, 203.1, 203.3, D14/203.5, 203.6, 192, 205, 223; D13/108, 110, 133, 184, 199, 162, 164.1, D13/168; D10/46, 75, 104.1, 106.1, D10/106.2, 106.3, 106.5, 106.6, 106.92, D10/106.93, 114.6, 114.9, 104.2, 121, D10/132  
CPC ..... G06F 1/1613; G06F 1/1647; G06F 3/00; G06F 3/01; G06F 3/011; G06F 3/04883; G06F 3/0484; A63H 33/3016; H04M 1/00; H04M 1/0279; H04M 1/0281; H04M

(Continued)

(56) **References Cited**

U.S. PATENT DOCUMENTS

D33,284 S \* 10/1900 Clement ..... D24/101  
D267,239 S \* 12/1982 Allen ..... D10/132

(Continued)

OTHER PUBLICATIONS

Dish-shaped communicator. (Design—© Questel). orbit.com.[online PDF] 4 pgs. Print Date Jun. 8, 2016. [Retrieved on Nov. 15, 2017] <https://sobjprd.questel.fr/export/QPTUJ214/pdf2/a544ebe3-69ad-48ab-ac2c-d7f4207b9448-004903.pdf>.\*

*Primary Examiner* — Susan Bennett Hattan

*Assistant Examiner* — Marie D. Fast Horse

(74) *Attorney, Agent, or Firm* — Intellent Patents LLC; Ahmed Alhafidh

(57) **CLAIM**

The ornamental design for a personal communicator, as shown and described.

**DESCRIPTION**

FIG. 1 is a perspective view of a personal communicator, showing my new design.

FIG. 2 is a rear elevational view of the personal communicator of FIG. 1.

FIG. 3 is a front elevational view of the personal communicator of FIG. 1.

FIG. 4 is a right elevational view of the personal communicator of FIG. 1.

FIG. 5 is a left elevational view of the personal communicator of FIG. 1.

FIG. 6 is a front elevational view of the personal communicator of FIG. 1 with a clip of the personal communicator in a bent configuration.

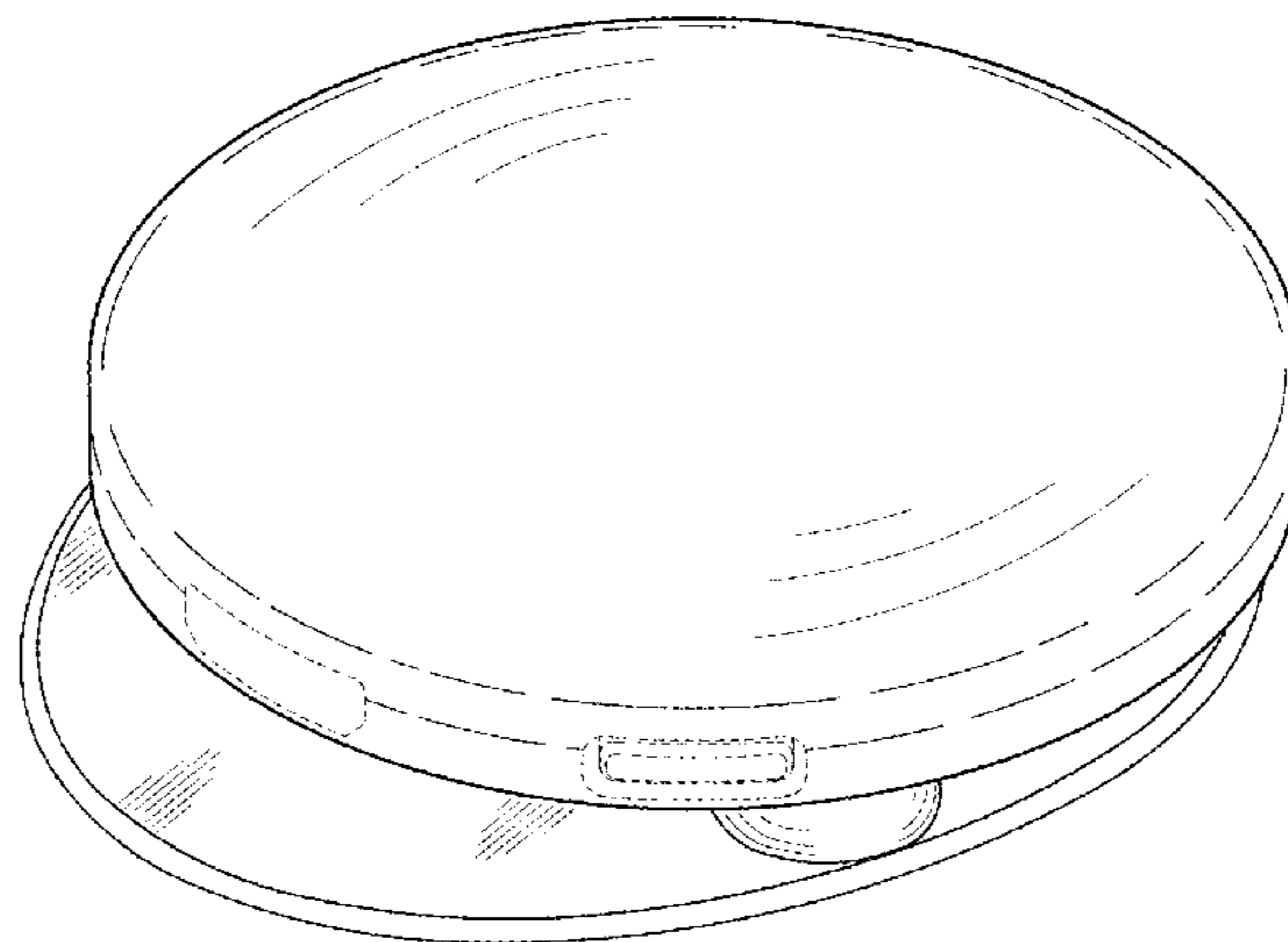
FIG. 7 is a left elevational view of the personal communicator of FIG. 1 with a clip of the personal communicator in a bent configuration.

FIG. 8 is a top elevational view of the personal communicator of FIG. 1; and,

FIG. 9 is a bottom elevational view of the personal communicator of FIG. 1.

The broken lines in the drawings depict portions of the personal communicator which form no part of the claimed design.

**1 Claim, 6 Drawing Sheets**



- (58) **Field of Classification Search**  
 CPC ..... 1/0283; H01H 2239/048; H01H 2239/074;  
 H01H 2003/0293  
 See application file for complete search history.

(56) **References Cited**

U.S. PATENT DOCUMENTS

D284,859 S \* 7/1986 Okada ..... D14/192  
 D288,560 S \* 3/1987 Anderson ..... D14/212  
 D292,283 S \* 10/1987 Matsuda ..... D14/212  
 D292,581 S \* 11/1987 Yoshiharu ..... 379/434  
 D295,173 S \* 4/1988 Oren ..... D14/168  
 D321,881 S \* 11/1991 Hopewell ..... D14/192  
 D325,582 S \* 4/1992 Emmons ..... D14/218  
 D331,254 S \* 11/1992 Hiromori ..... D18/7  
 D332,098 S \* 12/1992 Riley ..... D14/225  
 D346,598 S \* 5/1994 McCay ..... D14/137  
 D355,416 S \* 2/1995 McCay ..... D14/137  
 D366,657 S \* 1/1996 Hallgren ..... D14/160  
 D367,274 S \* 2/1996 Gobindram ..... D14/143  
 D371,126 S \* 6/1996 Bro ..... D14/138 AB  
 D376,593 S \* 12/1996 Riggs ..... D14/137  
 D382,255 S \* 8/1997 Moffatt ..... D13/147  
 D391,572 S \* 3/1998 Lee ..... D14/192  
 D391,943 S \* 3/1998 Han ..... D14/356  
 D391,944 S \* 3/1998 Han ..... D14/356  
 D412,331 S \* 7/1999 Nakamura ..... D14/155  
 D427,994 S \* 7/2000 Pirelli ..... D14/223  
 D444,777 S \* 7/2001 Bird ..... D14/150  
 D456,384 S \* 4/2002 Ng ..... D14/192  
 D457,150 S \* 5/2002 Chen ..... D14/150  
 D457,865 S \* 5/2002 Lam ..... D14/147  
 D474,169 S \* 5/2003 Fletcher ..... D14/159  
 D478,057 S \* 8/2003 Cohen ..... D14/155  
 D481,709 S \* 11/2003 Solderits ..... D14/223  
 D483,281 S \* 12/2003 Cobigo ..... D10/104.1  
 D495,676 S \* 9/2004 Slevin ..... D14/150  
 D512,060 S \* 11/2005 Wang ..... D14/480.1  
 D514,095 S \* 1/2006 Wilson ..... D14/223  
 D525,231 S \* 7/2006 McMillen ..... D14/149  
 D526,916 S \* 8/2006 Oas ..... D10/70  
 D527,017 S \* 8/2006 Kim ..... D14/203.6  
 D537,004 S \* 2/2007 Eden ..... D10/70  
 D568,304 S \* 5/2008 Park ..... D14/240  
 D574,368 S \* 8/2008 Chapman ..... D14/223  
 D577,009 S \* 9/2008 Wilson ..... D14/225  
 D577,356 S \* 9/2008 Moon ..... D14/168  
 D590,101 S \* 4/2009 Hsu ..... D14/216  
 D591,269 S \* 4/2009 Kim ..... D14/216  
 D594,874 S \* 6/2009 Sheba ..... D14/203.3

D594,875 S \* 6/2009 Sheba ..... D14/203.3  
 D595,687 S \* 7/2009 Shiono ..... D10/2  
 D595,688 S \* 7/2009 Shiono ..... D10/2  
 D596,622 S \* 7/2009 Lee ..... D14/218  
 D597,514 S \* 8/2009 Gencarella ..... D14/138 AC  
 D597,520 S \* 8/2009 Shiono ..... D10/2  
 D598,003 S \* 8/2009 Park ..... D14/149  
 D598,898 S \* 8/2009 Davidson ..... D14/215  
 D608,767 S \* 1/2010 Liner ..... D14/205  
 D609,213 S \* 2/2010 Yeo ..... D14/203.1  
 D612,361 S \* 3/2010 Wright ..... D14/203.1  
 D616,898 S \* 6/2010 Miller ..... D14/203.1  
 D638,409 S \* 5/2011 Walter ..... D14/223  
 D643,412 S \* 8/2011 Brady ..... D14/218  
 D645,028 S \* 9/2011 Pescetto ..... D14/225  
 D645,818 S \* 9/2011 Guccione ..... D13/108  
 D656,130 S \* 3/2012 Bailey ..... D14/227  
 D682,805 S \* 5/2013 Rath ..... D14/149  
 D683,251 S \* 5/2013 Dumas ..... D10/104.2  
 D683,331 S \* 5/2013 Nylen ..... D14/218  
 D695,258 S \* 12/2013 Hauser ..... D14/155  
 D697,494 S \* 1/2014 Birger ..... D14/142  
 D699,215 S \* 2/2014 Koch ..... D14/205  
 D711,345 S \* 8/2014 Liu ..... D14/140  
 D713,822 S \* 9/2014 Paradise ..... D14/206  
 D726,680 S \* 4/2015 Kim ..... D10/37  
 D735,159 S \* 7/2015 Yang ..... D14/137  
 D740,793 S \* 10/2015 Jobetto ..... D14/225  
 D742,355 S \* 11/2015 Toelle ..... D14/205  
 D746,709 S \* 1/2016 Heath ..... D10/104.2  
 D755,162 S \* 5/2016 He ..... D14/216  
 D755,750 S \* 5/2016 Chen ..... D14/172  
 D756,957 S \* 5/2016 Nylen ..... D14/204  
 D763,223 S \* 8/2016 Czaniecki ..... D14/205  
 D770,430 S \* 11/2016 Lee ..... D14/240  
 D771,600 S \* 11/2016 Hinokio ..... D14/228  
 D773,437 S \* 12/2016 Lee ..... D14/223  
 D775,233 S \* 12/2016 Beck ..... D14/203.6  
 D784,259 S \* 4/2017 Huang ..... D13/108  
 D784,963 S \* 4/2017 Saule ..... D14/228  
 D786,724 S \* 5/2017 Seagle, Jr. .... D10/106.1  
 D789,363 S \* 6/2017 Jentz ..... D14/218  
 D789,364 S \* 6/2017 Jentz ..... D14/218  
 D789,366 S \* 6/2017 Jentz ..... D14/218  
 D792,865 S \* 7/2017 Park ..... D14/138 R  
 D797,704 S \* 9/2017 Fischer ..... D14/216  
 D800,721 S \* 10/2017 Kim ..... D14/344  
 D802,589 S \* 11/2017 Fisher ..... D14/358  
 D802,627 S \* 11/2017 Mangum ..... D14/496  
 2008/0026700 A1 \* 1/2008 Smith ..... H01H 13/14  
 455/90.2

\* cited by examiner

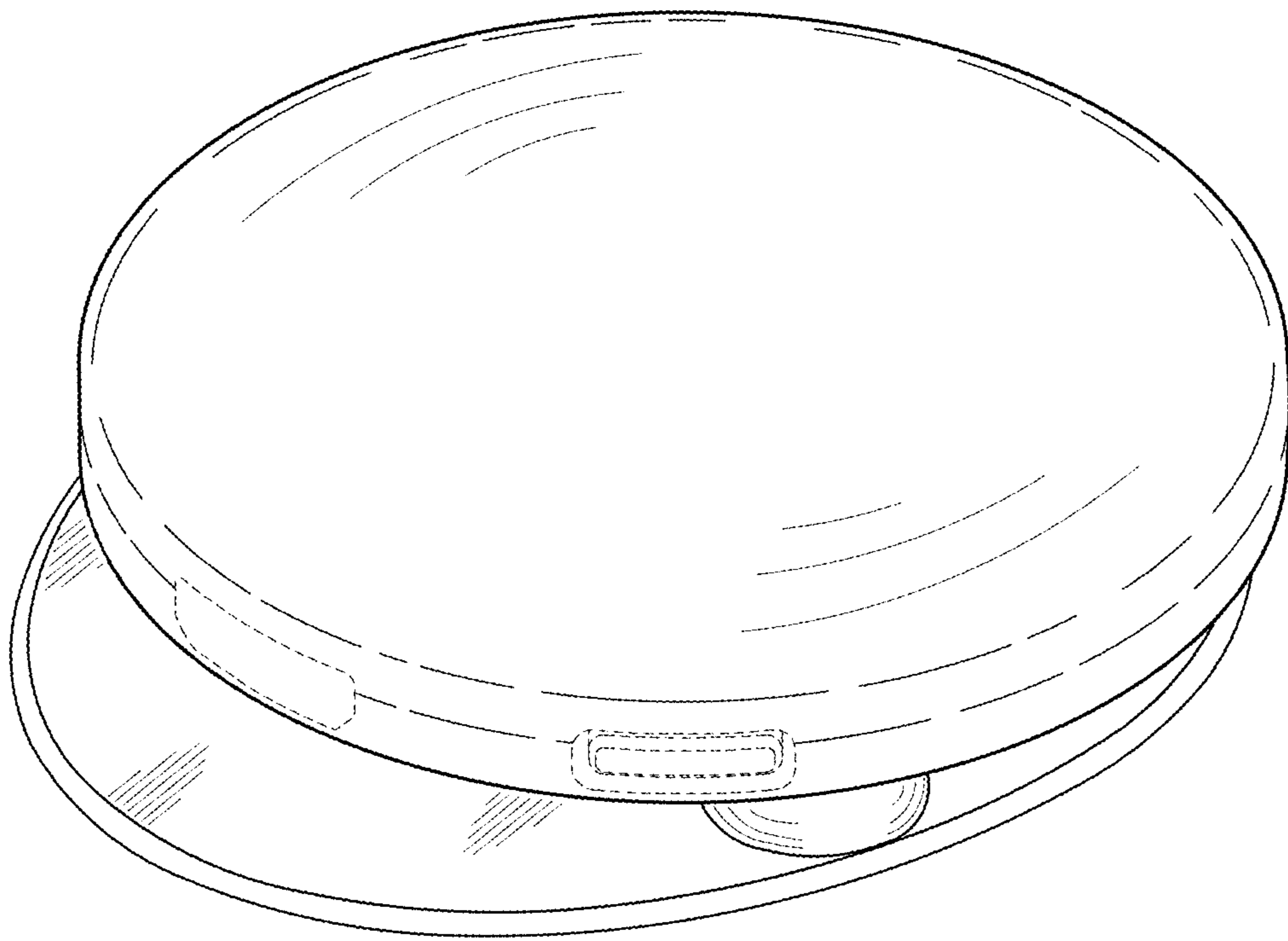


FIG. 1

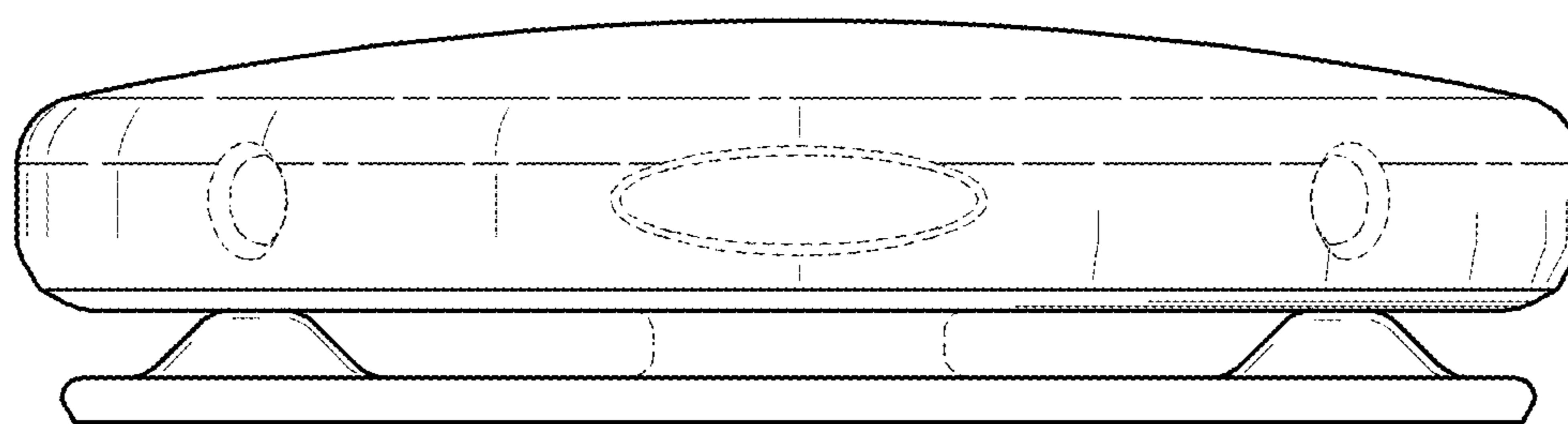


FIG. 2

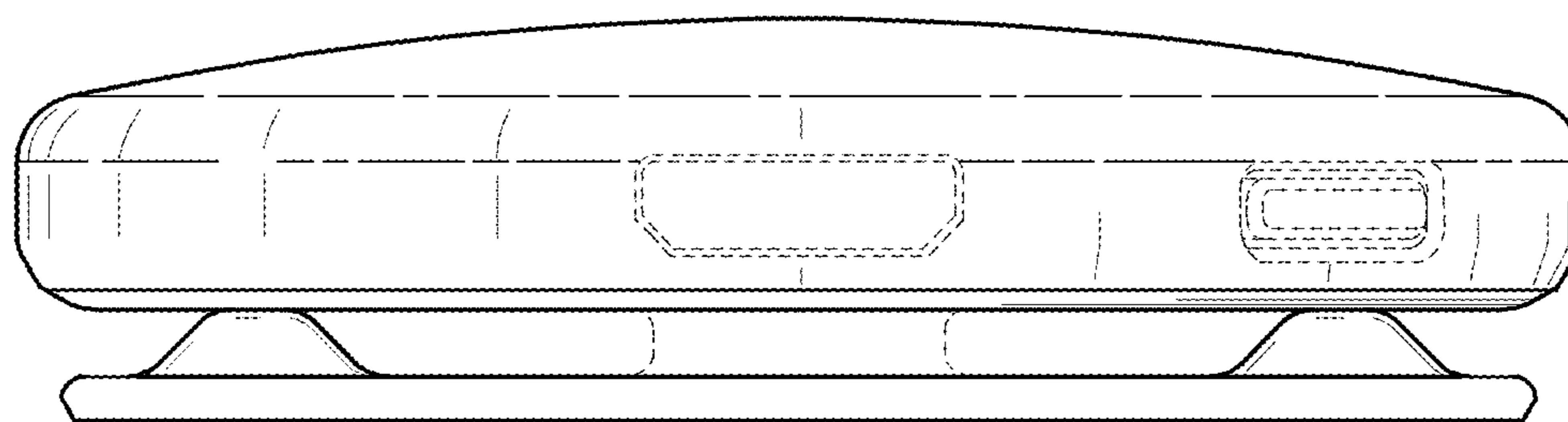


FIG. 3

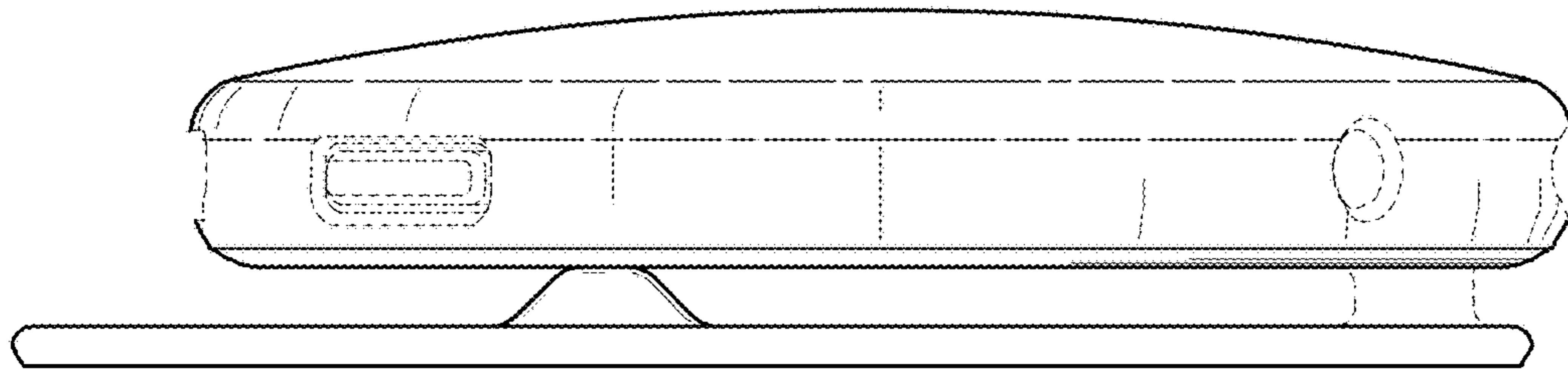


FIG. 4

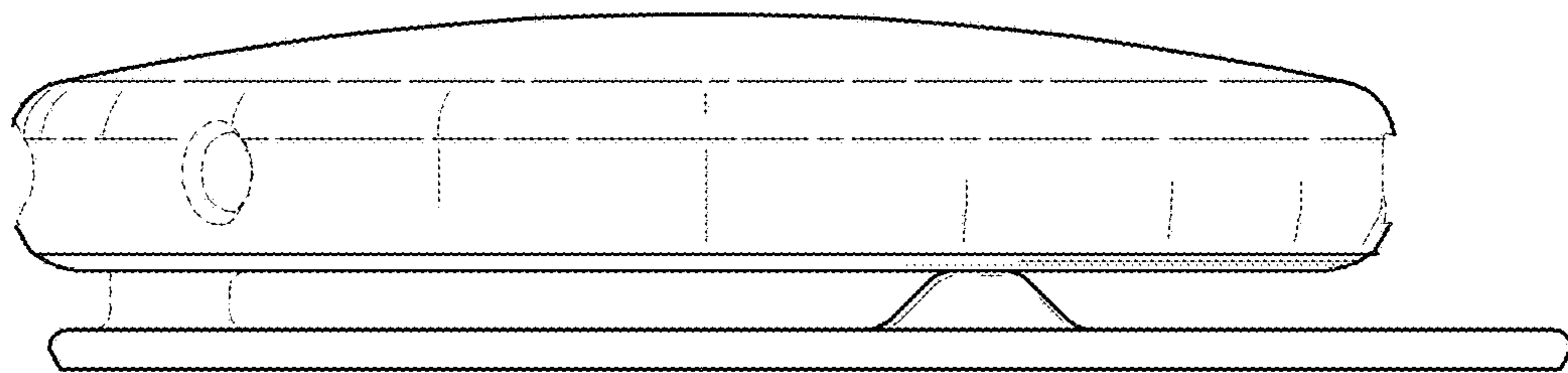


FIG. 5

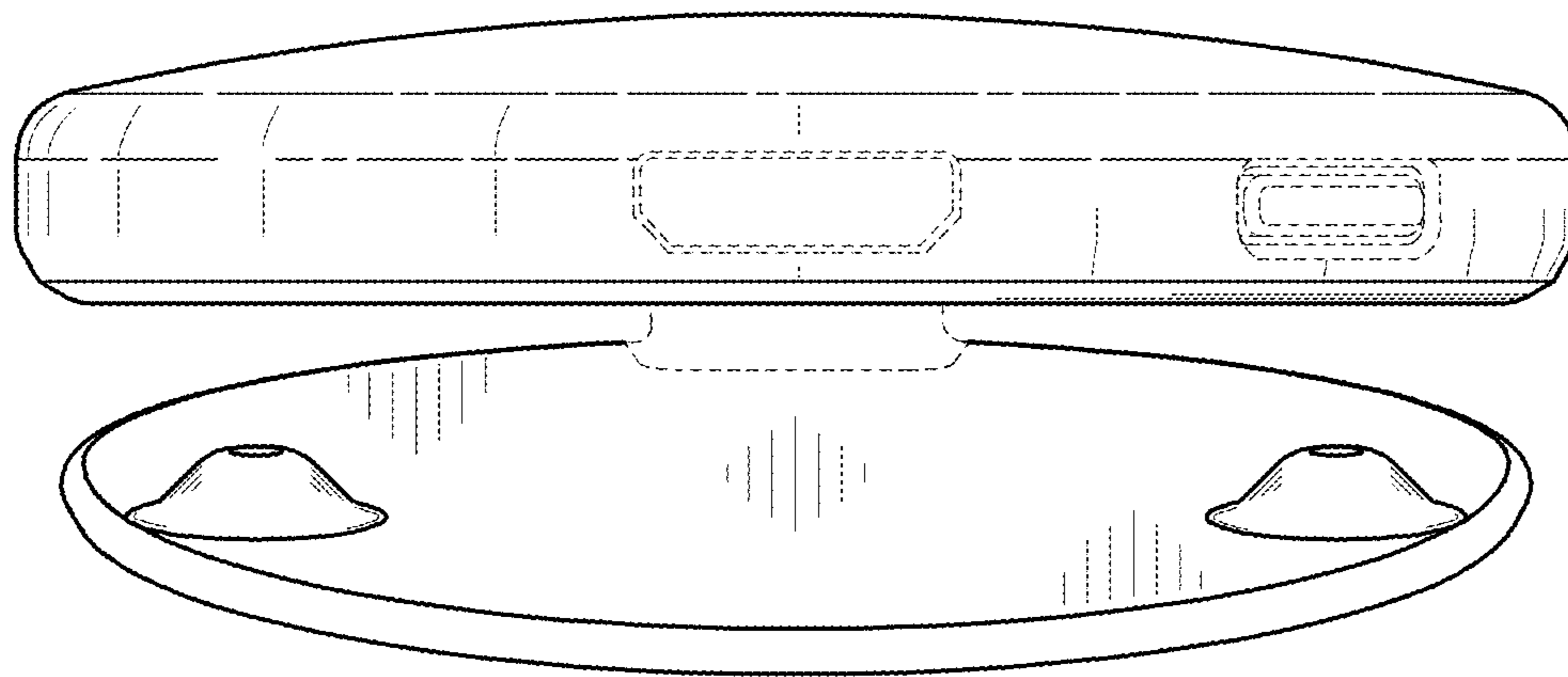


FIG. 6

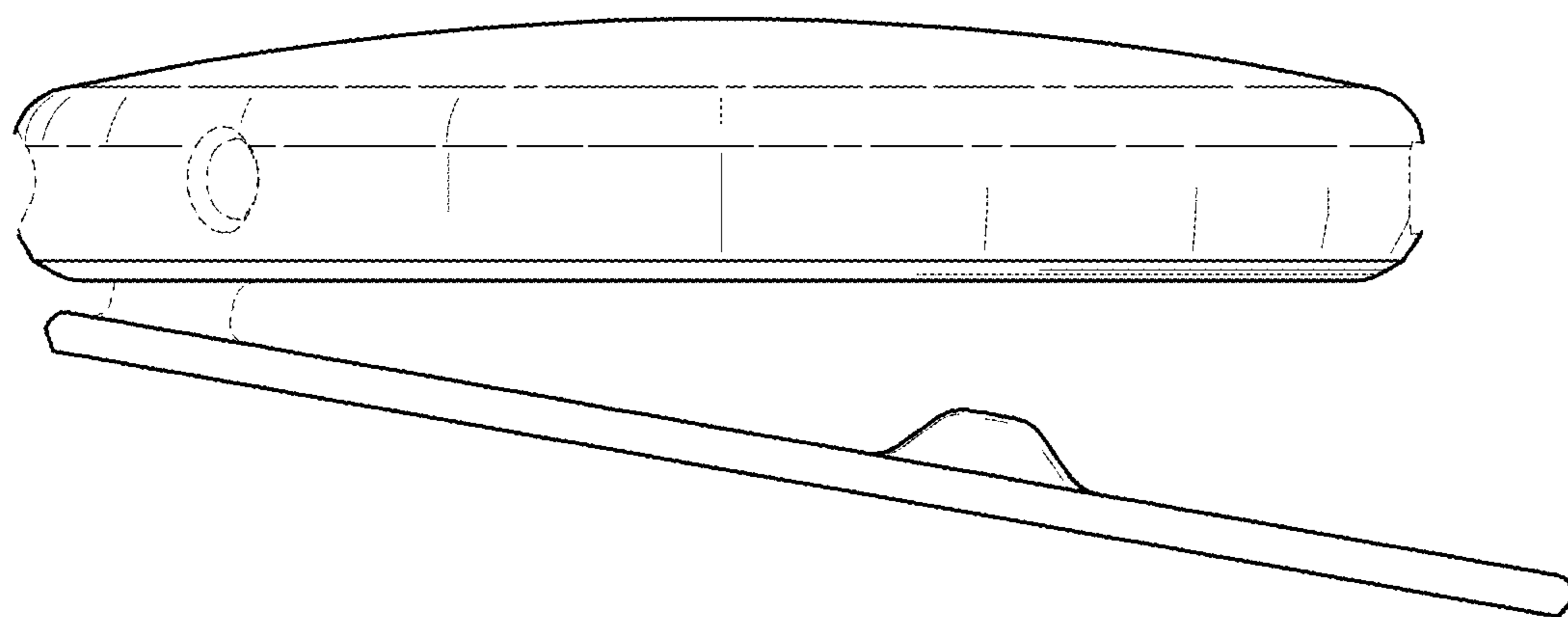


FIG. 7

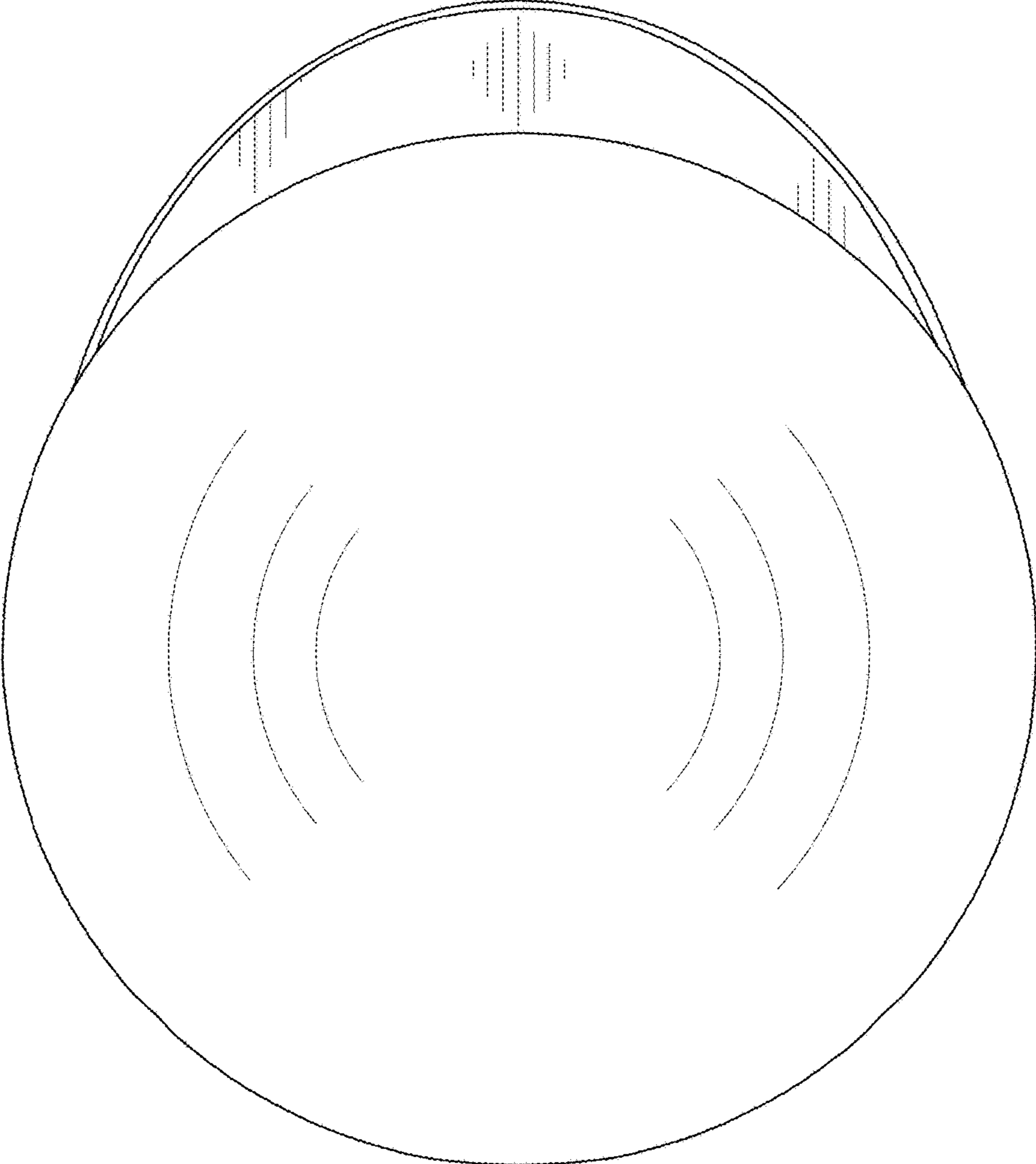


FIG. 8

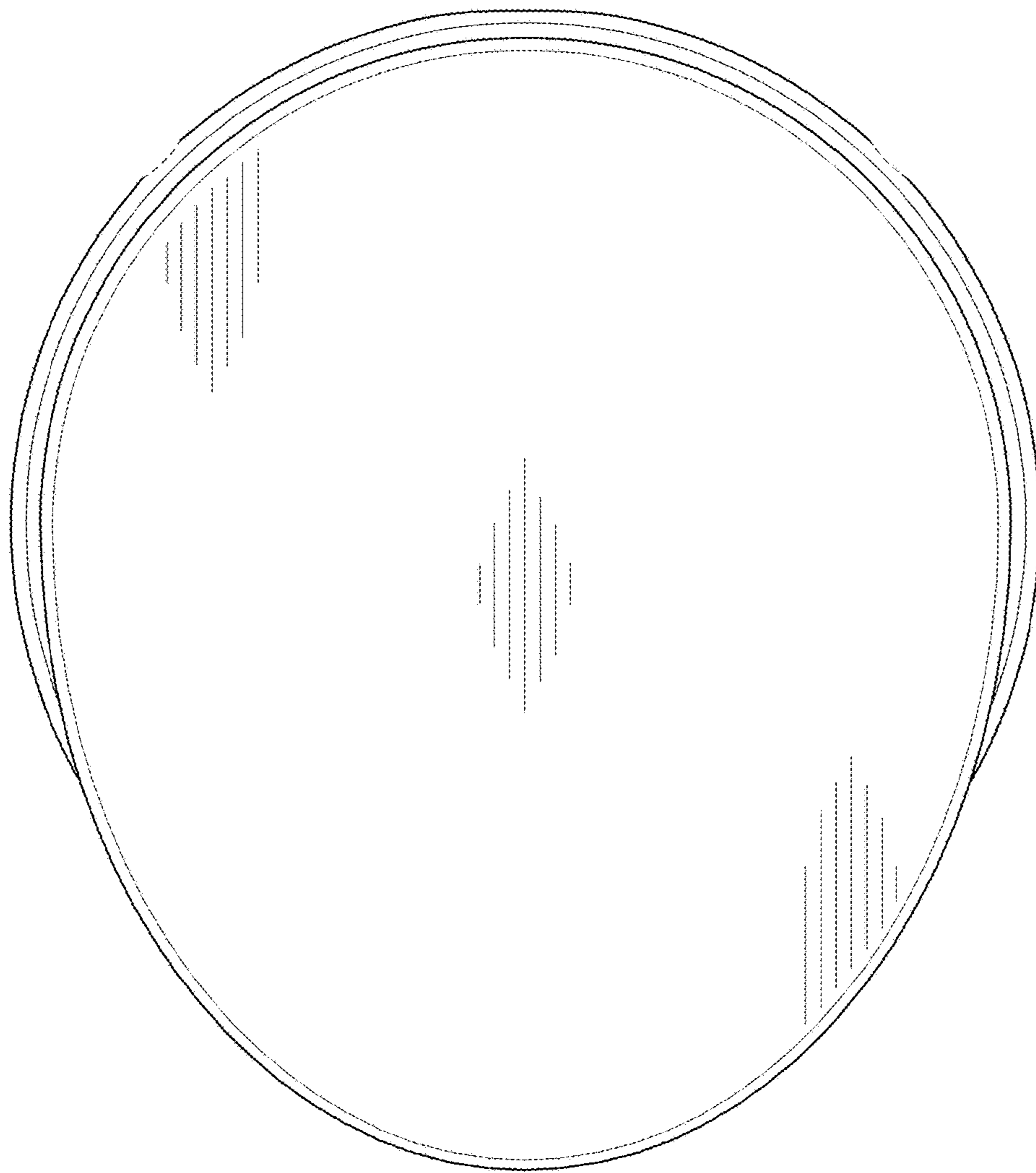


FIG. 9