



US00D816052S

(12) **United States Design Patent**
Pallakoff et al.

(10) **Patent No.:** **US D816,052 S**
(45) **Date of Patent:** **** Apr. 24, 2018**

(54) **PERSONAL COMMUNICATOR**

(71) Applicants: **Matt Pallakoff**, Mountain View, CA
(US); **Sagar Sahoo**, Cupertino, CA
(US)

(72) Inventors: **Matt Pallakoff**, Mountain View, CA
(US); **Sagar Sahoo**, Cupertino, CA
(US)

(**) Term: **15 Years**

(21) Appl. No.: **29/574,915**

(22) Filed: **Aug. 19, 2016**

(51) **LOC (11) Cl.** **14-03**

(52) **U.S. Cl.**
USPC **D14/137**

(58) **Field of Classification Search**

USPC D14/137, 138 R, 140, 141.1, 142, 144,
D14/147, 149, 150, 155, 168, 172, 185,
D14/186, 204, 209.1, 211, 212, 213, 215,
D14/216, 221, 238.1, 240, 242, 243, 244,
D14/248, 249, 299, 496, 344, 356, 358,
D14/432, 454, 388, 218, 203.1, 203.3,
D14/203.5, 203.6, 192, 205, 223;
D13/108, 110, 133, 184, 199, 162, 164.1,
D13/168; D10/46, 75, 104.1, 106.1,
D10/106.2, 106.3, 106.5, 106.6, 106.92,
D10/106.93, 114.6, 114.9, 104.2, 132,
D10/121
CPC G06F 1/1613; G06F 1/1647; G06F 3/00;
G06F 3/01; G06F 3/011; G06F 3/04883;
G06F 3/0484; A63H 33/3016; H04M
1/00; H04M 1/0279; H04M 1/0281;
H04M 1/0283; H01H 2239/048; H01H
2239/074; H01H 2003/0293

See application file for complete search history.

(56) **References Cited**

U.S. PATENT DOCUMENTS

D33,284 S * 10/1900 Clement D24/101
D267,239 S * 12/1982 Allen D10/132

D284,859 S * 7/1986 Okada D14/192
D288,560 S * 3/1987 Anderson D14/212
D292,283 S * 10/1987 Matsuda D14/212
D292,581 S * 11/1987 Yoshiharu 379/434

(Continued)

OTHER PUBLICATIONS

Dish-shaped communicator. (Design—© Questel). orbit.com.[on-
line PDF] 4 pgs. Print Date Jun. 8, 2016. [Retrieved on Nov. 15,
2017] <https://sobjprd.questel.fr/export/QPTUJ214/pdf2/a544e3-69ad-48ab-ac2c-d7f4207b9448-004903.pdf>.*

Primary Examiner — Susan Bennett Hattan

Assistant Examiner — Marie D. Fast Horse

(74) *Attorney, Agent, or Firm* — Intellent Patents LLC;
Ahmed Alhafidh

(57) **CLAIM**

The ornamental design for a personal communicator, as
shown and described.

DESCRIPTION

FIG. 1 is a perspective view of a personal communicator,
showing my new design.

FIG. 2 is a rear elevational view of the personal communi-
cator of FIG. 1.

FIG. 3 is a front elevational view of the personal commu-
nicator of FIG. 1.

FIG. 4 is a right elevational view of the personal commu-
nicator of FIG. 1.

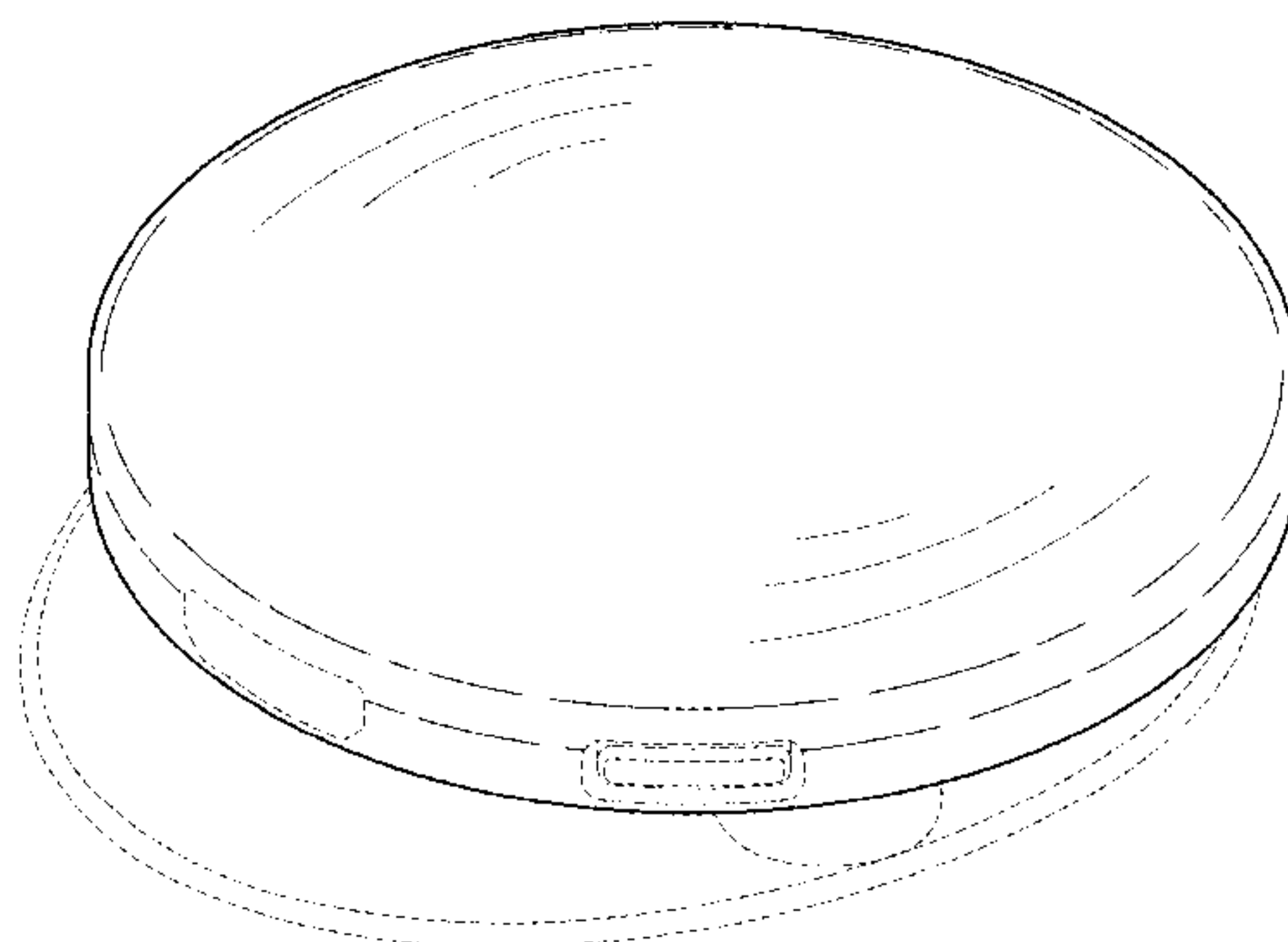
FIG. 5 is a left elevational view of the personal communi-
cator of FIG. 1.

FIG. 6 is a top elevational view of the personal communi-
cator of FIG. 1; and,

FIG. 7 is a bottom elevational view of the personal com-
municator of FIG. 1.

The broken lines in the drawings depict portions of the
personal communicator which form no part of the claimed
design.

1 Claim, 5 Drawing Sheets



(56)

References Cited

U.S. PATENT DOCUMENTS

D295,173	S	*	4/1988	Oren	D14/168
D321,881	S	*	11/1991	Hopewell	D14/192
D325,582	S	*	4/1992	Emmons	D14/218
D331,254	S	*	11/1992	Hikomori	D18/7
D332,098	S	*	12/1992	Riley	D14/225
D346,598	S	*	5/1994	McCay	D14/137
D355,416	S	*	2/1995	McCay	D14/137
D366,657	S	*	1/1996	Hallgren	D14/160
D367,274	S	*	2/1996	Gobindram	D14/143
D371,126	S	*	6/1996	Bro	D14/138 AB
D376,593	S	*	12/1996	Riggs	D14/137
D382,255	S	*	8/1997	Moffatt	D13/147
D391,572	S	*	3/1998	Lee	D14/192
D391,943	S	*	3/1998	Han	D14/356
D391,944	S	*	3/1998	Han	D14/356
D412,331	S	*	7/1999	Nakamura	D14/155
D427,994	S	*	7/2000	Pirelli	D14/223
D444,777	S	*	7/2001	Bird	D14/150
D456,384	S	*	4/2002	Ng	D14/192
D457,150	S	*	5/2002	Chen	D14/150
D457,865	S	*	5/2002	Lam	D14/147
D474,169	S	*	5/2003	Fletcher	D14/159
D478,057	S	*	8/2003	Cohen	D14/155
D481,709	S	*	11/2003	Solderits	D14/223
D483,281	S	*	12/2003	Cobigo	D10/104.1
D495,676	S	*	9/2004	Slevin	D14/150
D512,060	S	*	11/2005	Wang	D14/480.1
D514,095	S	*	1/2006	Wilson	D14/223
D525,231	S	*	7/2006	McMillen	D14/149
D526,916	S	*	8/2006	Oas	D10/70
D527,017	S	*	8/2006	Kim	D14/203.6
D537,004	S	*	2/2007	Eden	D10/70
D568,304	S	*	5/2008	Park	D14/240
D574,368	S	*	8/2008	Chapman	D14/223
D577,009	S	*	9/2008	Wilson	D14/225
D577,356	S	*	9/2008	Moon	D14/168
D590,101	S	*	4/2009	Hsu	D14/216
D591,269	S	*	4/2009	Kim	D14/216
D594,874	S	*	6/2009	Sheba	D14/203.3
D594,875	S	*	6/2009	Sheba	D14/203.3
D595,687	S	*	7/2009	Shiono	D10/2
D595,688	S	*	7/2009	Shiono	D10/2
D596,622	S	*	7/2009	Lee	D14/218
D597,514	S	*	8/2009	Gencarella	D14/138 AC
D597,520	S	*	8/2009	Shiono	D10/2
D598,003	S	*	8/2009	Park	D14/149
D598,898	S	*	8/2009	Davidson	D14/215
D608,767	S	*	1/2010	Liner	D14/205
D609,213	S	*	2/2010	Yeo	D14/203.1
D612,361	S	*	3/2010	Wright	D14/203.1
D616,898	S	*	6/2010	Miller	D14/203.1
D638,409	S	*	5/2011	Walter	D14/223
D643,412	S	*	8/2011	Brady	D14/218
D645,028	S	*	9/2011	Pescetto	D14/225
D645,818	S	*	9/2011	Guccione	D13/108
D656,130	S	*	3/2012	Bailey	D14/227
D682,805	S	*	5/2013	Rath	D14/149
D683,251	S	*	5/2013	Dumas	D10/104.2
D683,331	S	*	5/2013	Nylen	D14/218
D695,258	S	*	12/2013	Hauser	D14/155
D697,494	S	*	1/2014	Birger	D14/142
D699,215	S	*	2/2014	Koch	D14/205
D711,345	S	*	8/2014	Liu	D14/140
D713,822	S	*	9/2014	Paradise	D14/206
D726,680	S	*	4/2015	Kim	D10/37
D735,159	S	*	7/2015	Yang	D14/137
D740,793	S	*	10/2015	Jobetto	D14/225
D742,355	S	*	11/2015	Toelle	D14/205
D746,709	S	*	1/2016	Heath	D10/104.2
D755,162	S	*	5/2016	He	D14/216
D755,750	S	*	5/2016	Chen	D14/172
D756,957	S	*	5/2016	Nylen	D14/204
D763,223	S	*	8/2016	Czaniecki	D14/205
D770,430	S	*	11/2016	Lee	D14/240
D771,600	S	*	11/2016	Hinokio	D14/228
D773,437	S	*	12/2016	Lee	D14/223
D775,233	S	*	12/2016	Beck	D14/203.6
D784,259	S	*	4/2017	Huang	D13/108
D784,963	S	*	4/2017	Saule	D14/228
D786,724	S	*	5/2017	Seagle, Jr.	D10/106.1
D789,363	S	*	6/2017	Jentz	D14/218
D789,364	S	*	6/2017	Jentz	D14/218
D789,366	S	*	6/2017	Jentz	D14/218
D792,865	S	*	7/2017	Park	D14/138 R
D797,704	S	*	9/2017	Fischer	D14/216
D800,721	S	*	10/2017	Kim	D14/344
D802,589	S	*	11/2017	Fisher	D14/358
D802,627	S	*	11/2017	Mangum	D14/496
2008/0026700	A1	*	1/2008	Smith	H01H 13/14 455/90.2

* cited by examiner

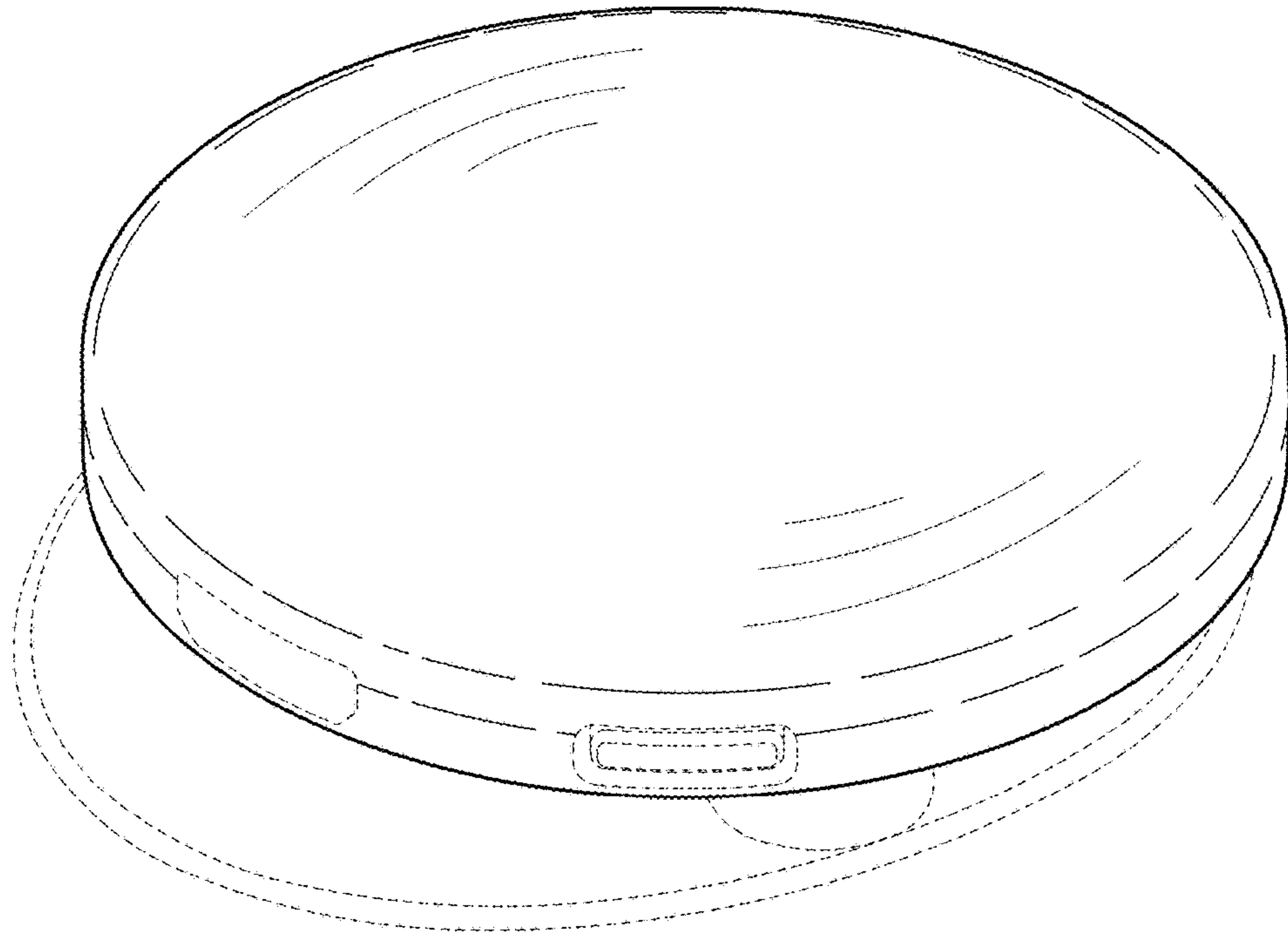


FIG. 1

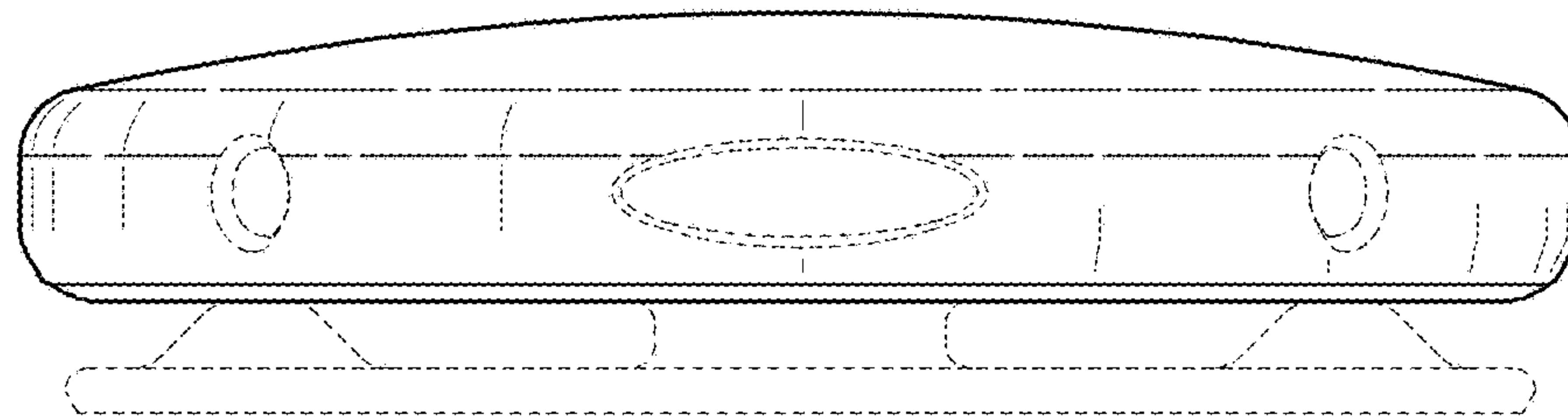


FIG. 2

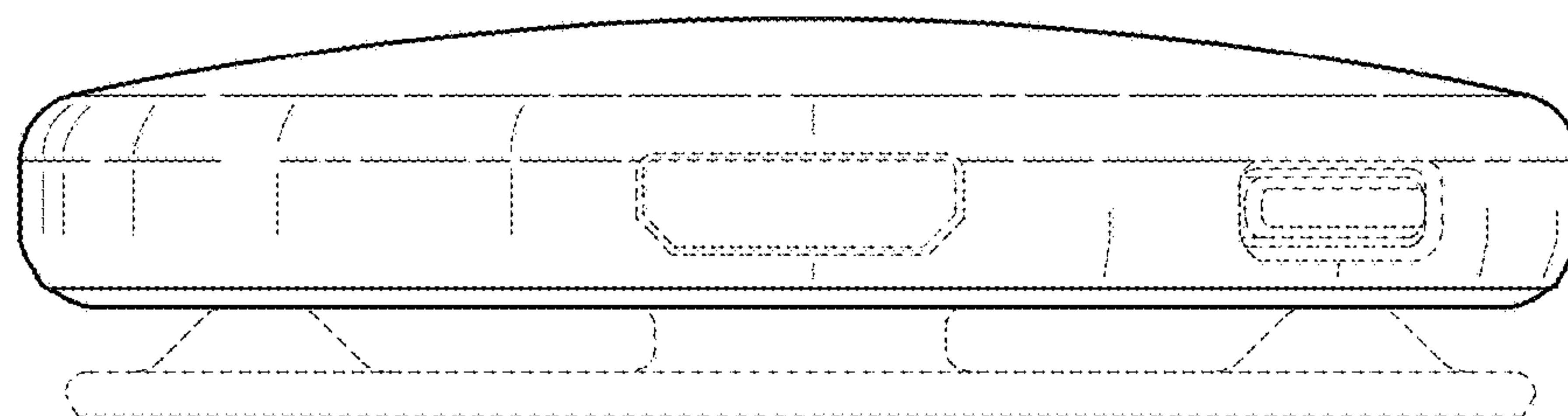


FIG. 3

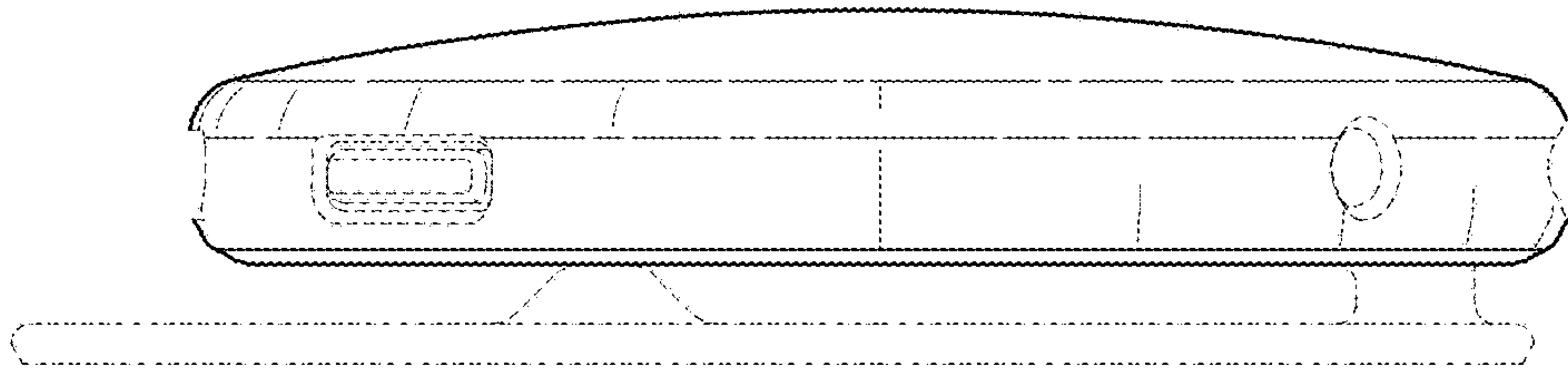


FIG. 4

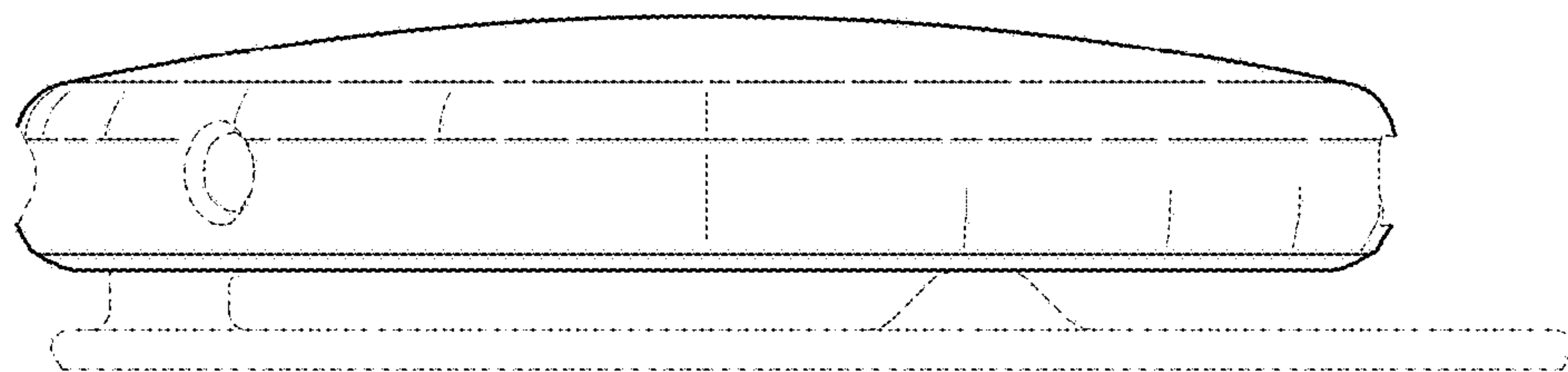


FIG. 5

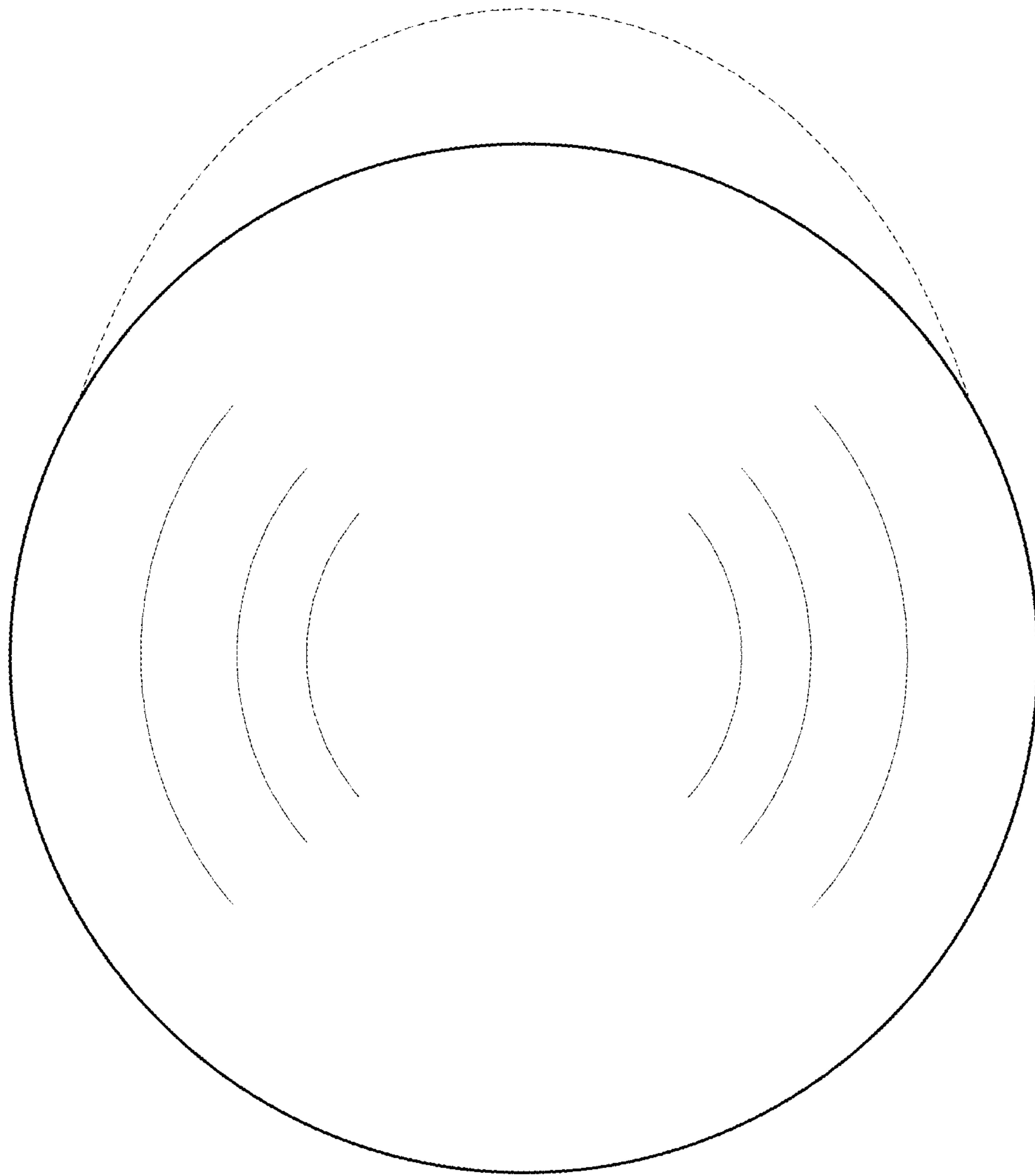


FIG. 6

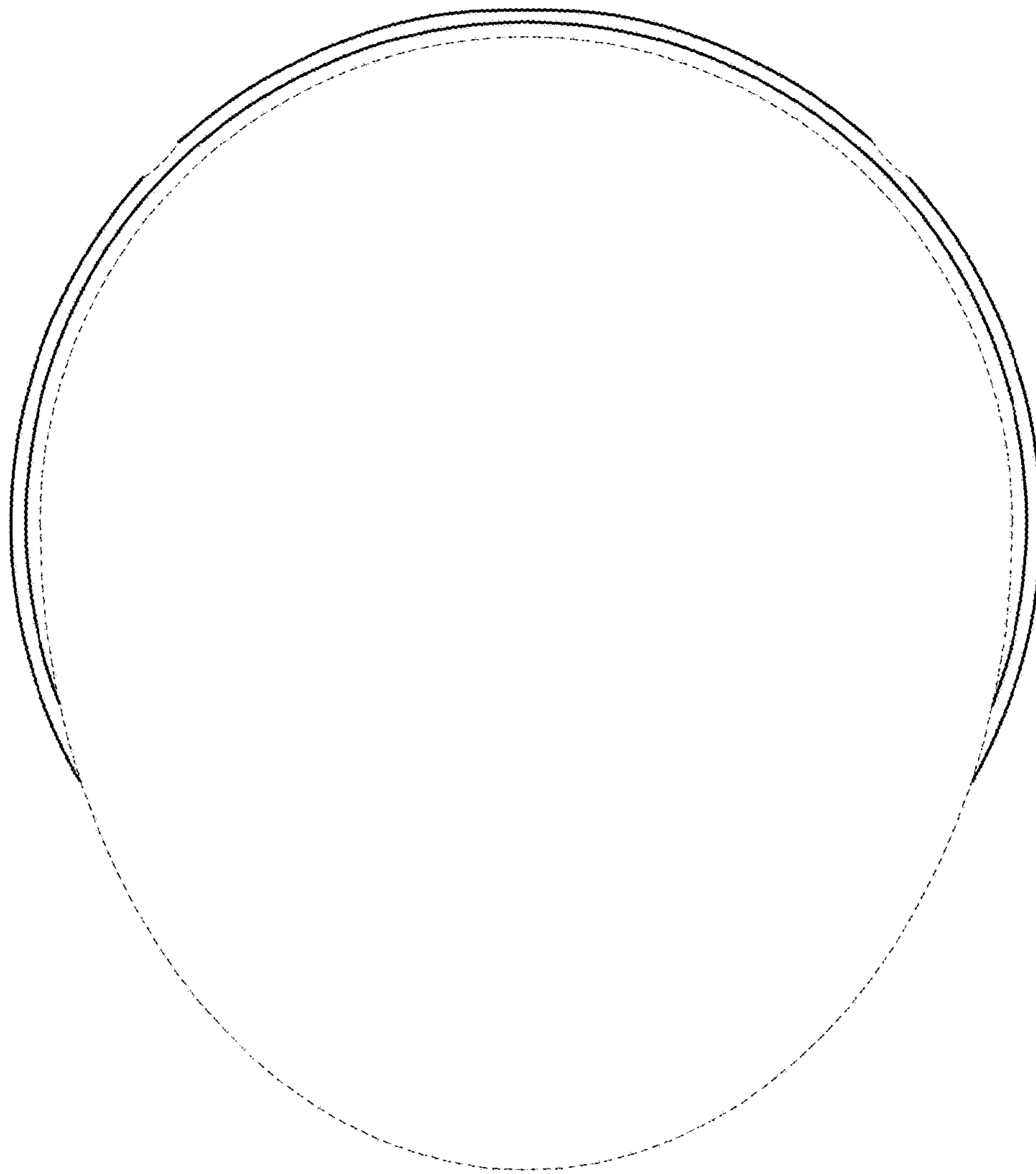


FIG. 7