



US00D816051S

(12) **United States Design Patent**  
**Robbins et al.**

(10) **Patent No.:** **US D816,051 S**  
(45) **Date of Patent:** **\*\* Apr. 24, 2018**

(54) **WEARABLE COMMUNICATION DEVICE**

(71) Applicant: **Orion Labs**, San Francisco, CA (US)

(72) Inventors: **Jesse Robbins**, San Francisco, CA (US); **Greg Albrecht**, San Francisco, CA (US); **Arlen Abraham**, Oakland, CA (US); **Neil Girling**, Oakland, CA (US); **Sylvia Wu**, San Francisco, CA (US)

(73) Assignee: **Orion Labs**, San Francisco, CA (US)

(\*\*) Term: **14 Years**

(21) Appl. No.: **29/516,604**

(22) Filed: **Feb. 4, 2015**

(51) **LOC (11) Cl.** ..... **14-03**

(52) **U.S. Cl.**

USPC ..... **D14/137**

(58) **Field of Classification Search**

USPC ..... D14/218, 137, 315-318, 341-347, 420, D14/426, 25, 129-130, 496, 138 R, D14/138 AA, 138 C, 138 G, 147, 389; D10/65, 74

CPC .. G06F 1/1613; G06F 1/1647; G06F 3/04883; G06F 3/0486; G06F 3/0484; G06F 3/04847; G06F 3/04845; G06F 3/04817; G06F 3/1641; A63H 33/3016; H04M 1/0279; H04M 1/0281; H04M 1/0283

See application file for complete search history.

(56) **References Cited**

**U.S. PATENT DOCUMENTS**

D284,859 S \* 7/1986 Okada ..... D14/192  
D321,881 S \* 11/1991 Hopewell ..... D14/192  
D325,582 S \* 4/1992 Emmons ..... D14/218  
D327,690 S \* 7/1992 Ogawa ..... D14/230  
D376,593 S \* 12/1996 Riggs ..... D14/137  
D417,452 S \* 12/1999 Wu ..... D14/192

D456,384 S \* 4/2002 Ng ..... D14/192  
6,418,230 B1 \* 7/2002 McDonald ..... H04R 1/10  
379/426  
D464,638 S \* 10/2002 Huang ..... D14/205  
D465,469 S \* 11/2002 Heath ..... D10/104.1  
D489,706 S \* 5/2004 Chen ..... D14/195  
D507,078 S \* 7/2005 Greenfield ..... D28/82  
D512,060 S \* 11/2005 Wang ..... D14/480.1

(Continued)

**FOREIGN PATENT DOCUMENTS**

CN 303287887 \* 7/2015  
CN 303415551 \* 10/2015  
CN 303877352 \* 10/2016

**OTHER PUBLICATIONS**

Onyx Orion Labs, announced 2016 [online], [site visited Jan. 6, 2016], Available from Internet, URL: <https://www.orionlabs.io/>.\*

(Continued)

*Primary Examiner* — Barbara Fox

*Assistant Examiner* — Mary C Ramirez

(57) **CLAIM**

The ornamental design for a wearable communication device, substantially as shown and described.

**DESCRIPTION**

FIG. 1 illustrates a front view of a wearable communication device showing the new design.

FIG. 2 illustrates a top view thereof;

FIG. 3 illustrates a bottom view thereof;

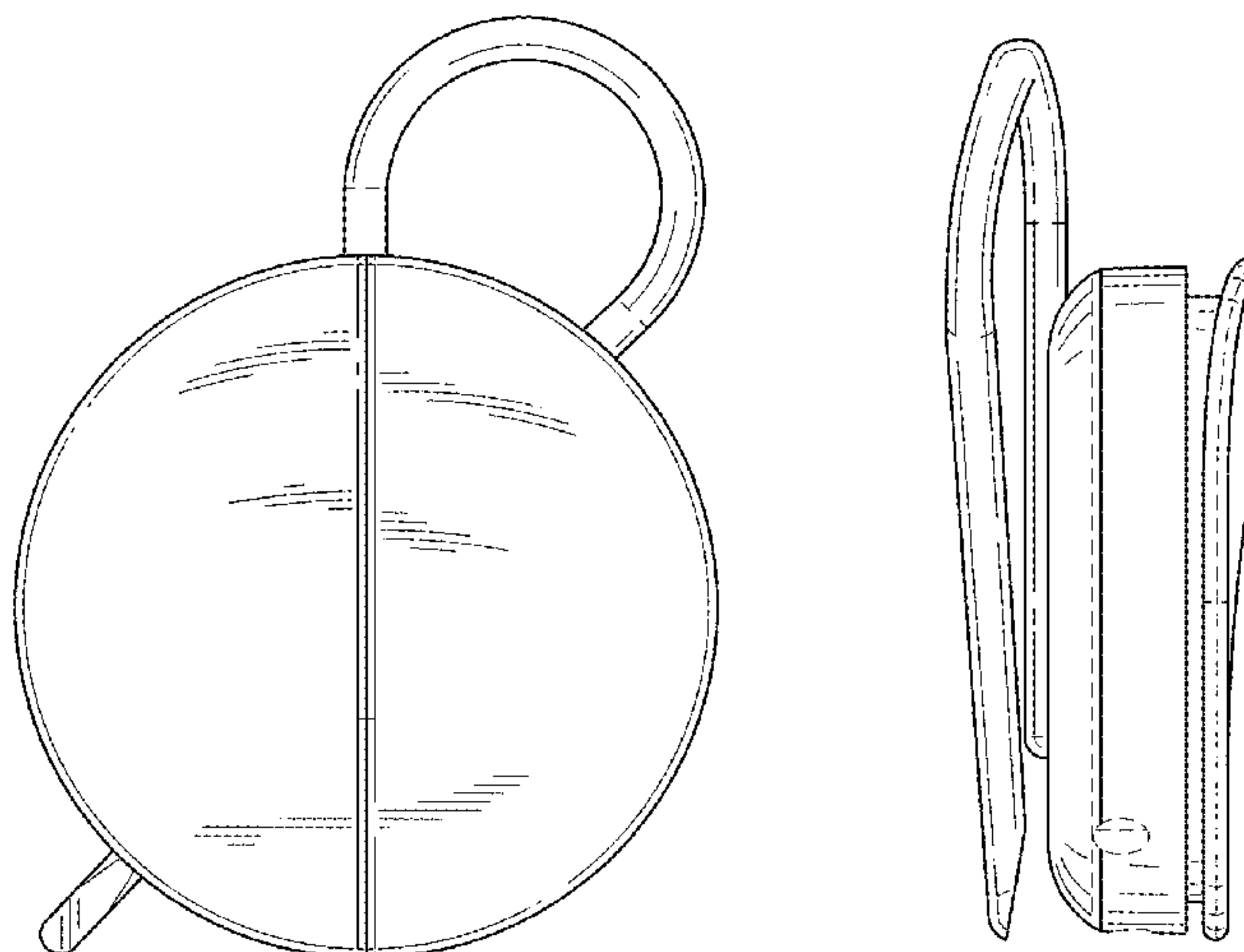
FIG. 4 illustrates a right side view thereof;

FIG. 5 illustrates a back side view thereof; and,

FIG. 6 illustrates a left side view thereof.

The broken lines shown in the drawings depict portions of the wearable communication device that form no part of the claimed design.

**1 Claim, 6 Drawing Sheets**



(56)

References Cited

U.S. PATENT DOCUMENTS

D521,231 S \* 5/2006 Ng ..... D3/208  
 D557,682 S \* 12/2007 Oas ..... D14/192  
 D596,622 S \* 7/2009 Lee ..... D14/218  
 D598,003 S \* 8/2009 Park ..... D14/149  
 D601,126 S \* 9/2009 Christopher ..... D14/206  
 D609,213 S \* 2/2010 Yeo ..... D14/203.1  
 D612,366 S \* 3/2010 Wikel ..... D14/223  
 D632,265 S \* 2/2011 Choi ..... D13/168  
 D633,085 S \* 2/2011 Chiu ..... D11/5  
 D638,001 S \* 5/2011 Nakhjiri ..... D14/242  
 D643,412 S \* 8/2011 Brady ..... D14/218  
 D645,818 S \* 9/2011 Guccione ..... D13/108  
 D682,805 S \* 5/2013 Rath ..... D14/149  
 D683,350 S \* 5/2013 Jarosinski ..... D11/3  
 D685,790 S \* 7/2013 Tang ..... D14/218  
 8,611,969 B2 \* 12/2013 Smith ..... H04M 1/05  
 181/135

D710,594 S \* 8/2014 Vasquez ..... D3/207  
 D738,858 S \* 9/2015 Tuhkanen ..... D14/218  
 D746,166 S \* 12/2015 Li ..... D10/104.1  
 D749,666 S \* 2/2016 Ahdoot ..... D14/218  
 D750,039 S \* 2/2016 Ahn ..... D14/205  
 D759,257 S \* 6/2016 Chen ..... D24/200  
 D760,221 S \* 6/2016 Maruyama ..... D14/357  
 D768,114 S \* 10/2016 Hou ..... D13/168  
 D773,437 S \* 12/2016 Lee ..... D14/223  
 D773,438 S \* 12/2016 Walker ..... D14/223  
 D792,345 S \* 7/2017 Loewen ..... D13/108  
 D797,704 S \* 9/2017 Fischer ..... D14/216

OTHER PUBLICATIONS

Onyx Communicator, announced Nov. 5, 2014 [online], [site visited Jan. 6, 2017], Available from Internet, URL: <<http://www.theverge.com/2014/11/5/7157291/onbeep-onyx-personal-communicator>>.\*

\* cited by examiner

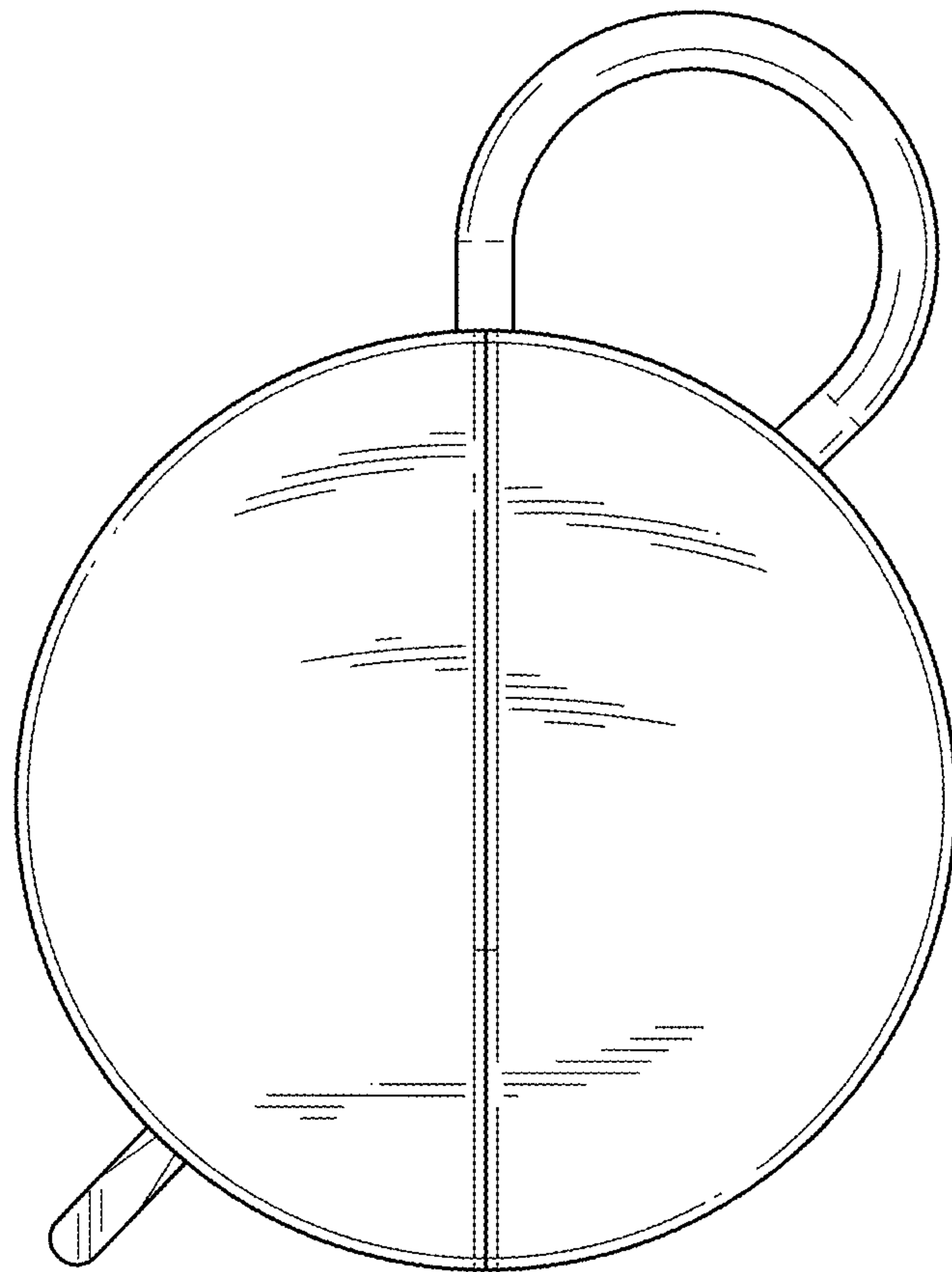


FIG. 1

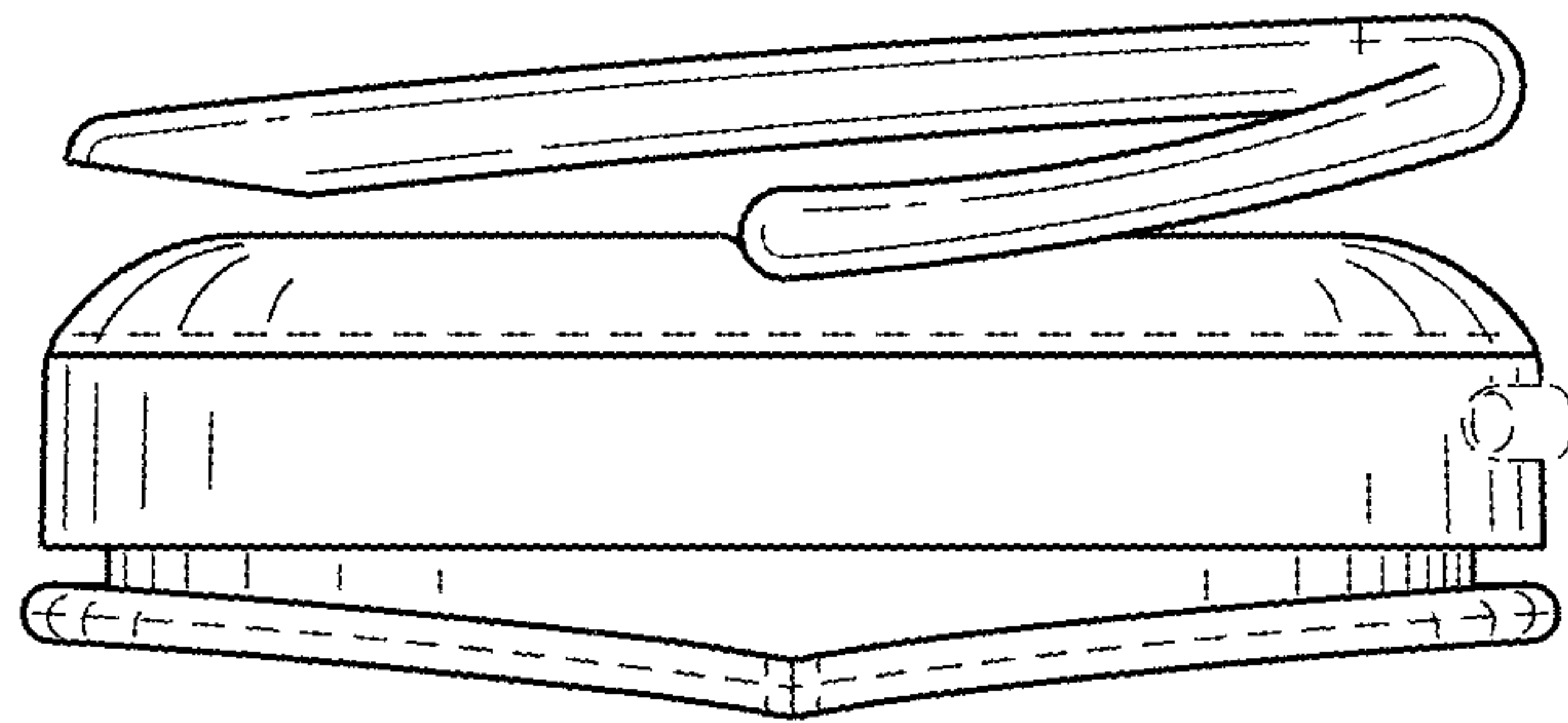


FIG. 2

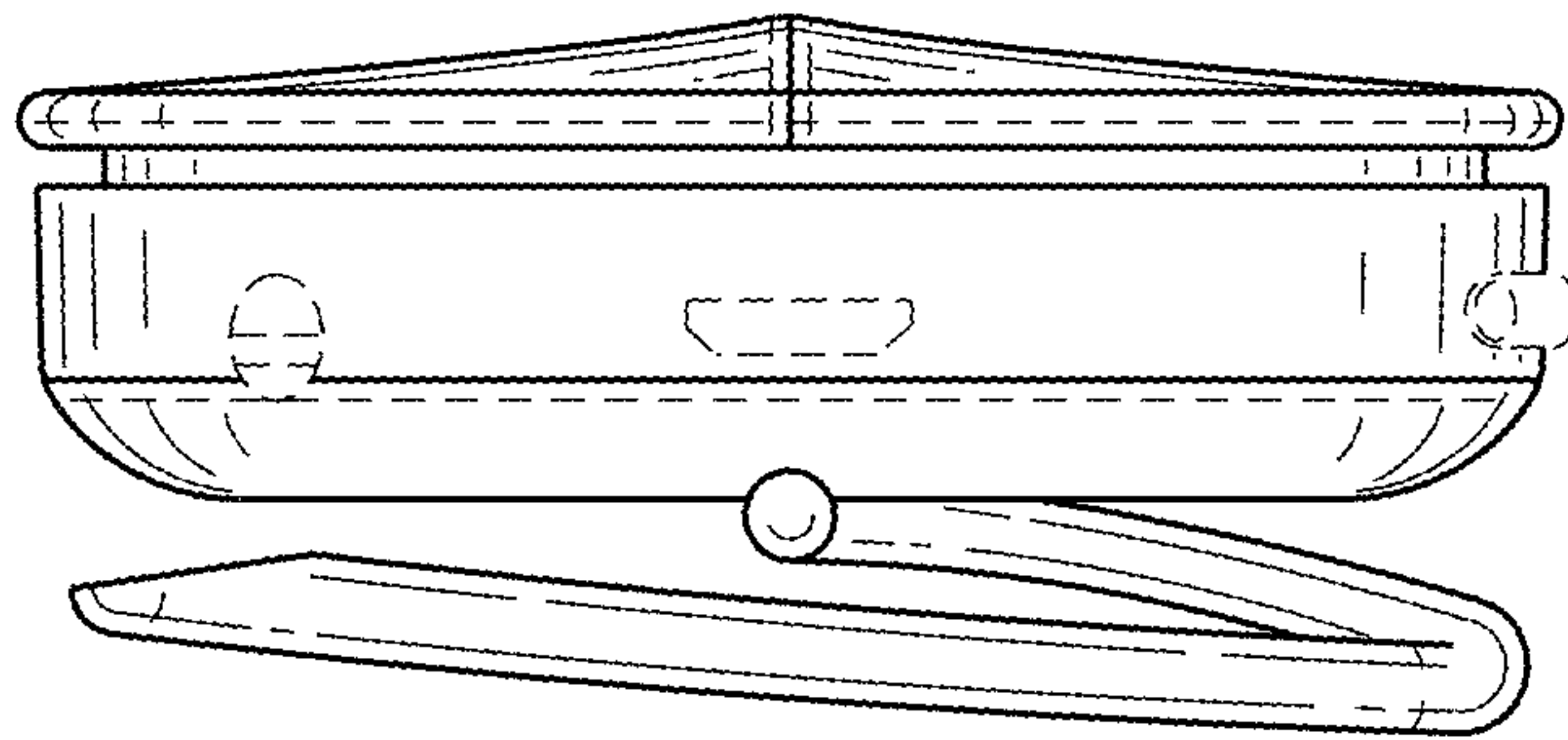


FIG. 3

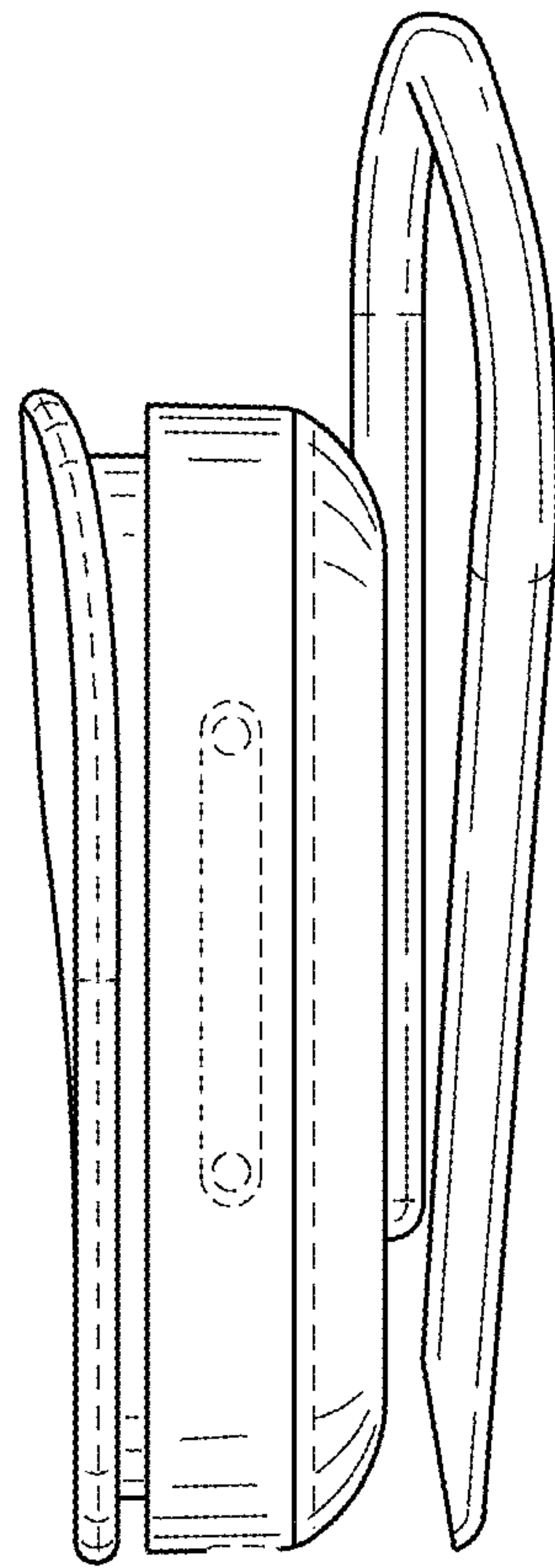


FIG. 4



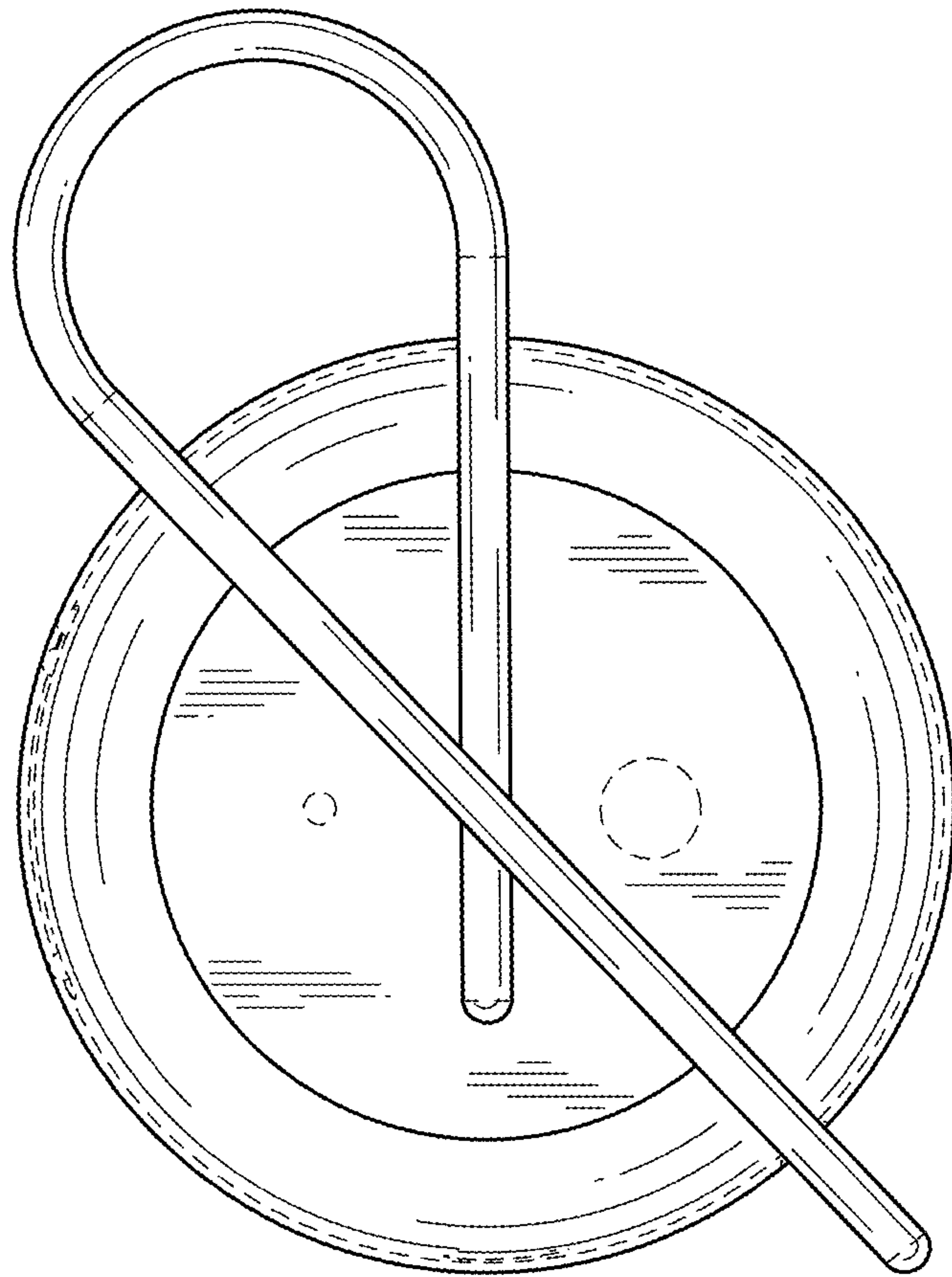


FIG. 5

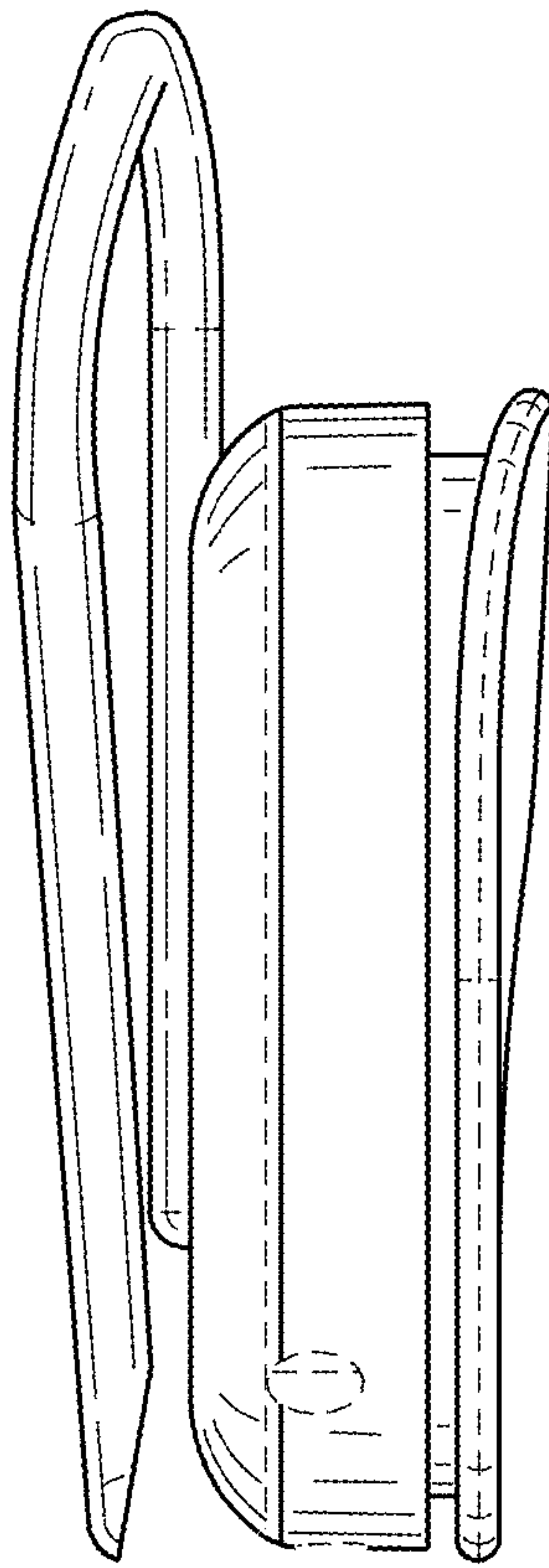


FIG. 6