



US00D816046S

(12) **United States Design Patent**  
**Kiong et al.**

(10) **Patent No.:** **US D816,046 S**

(45) **Date of Patent:** **\*\* Apr. 24, 2018**

(54) **CONTROL MODULE**

(71) Applicant: **Creative Technology Ltd**, Singapore (SG)

(72) Inventors: **Sy Gia Kiong**, Singapore (SG);  
**Shintaro Kitazawa**, Singapore (SG)

(73) Assignee: **Creative Technology Ltd**, Singapore (SG)

(\*\*) Term: **15 Years**

(21) Appl. No.: **29/589,446**

(22) Filed: **Dec. 30, 2016**

(51) **LOC (11) Cl.** ..... **13-03**

(52) **U.S. Cl.**  
USPC ..... **D13/162; D14/218**

(58) **Field of Classification Search**  
USPC ..... D13/162, 168; D10/49, 104.1, 106.1;  
D14/140, 216, 217, 218, 358  
CPC .... H03J 1/0025; H03J 9/00; H03J 9/02; H03J  
9/04; H03J 9/06; H04B 1/202; G05B  
11/01; G08C 17/00; G08C 17/02; H01Q  
1/007; H04W 52/0206; G06F 3/16  
See application file for complete search history.

(56) **References Cited**

**U.S. PATENT DOCUMENTS**

D208,475 S *	9/1967	Wood	.....	D13/168
D440,206 S *	4/2001	Carroll	.....	D13/162
D541,228 S *	4/2007	Thursfield	.....	D13/168
D581,414 S *	11/2008	Tellier	.....	D14/358
D593,509 S *	6/2009	Glassman	.....	D13/168
D620,884 S *	8/2010	Lee	.....	D13/108
D632,281 S *	2/2011	Hoehn	.....	D14/218
D659,680 S *	5/2012	Kim	.....	D14/216

D662,939 S *	7/2012	Akana	.....	D14/447
D691,965 S *	10/2013	Bedolla	.....	D13/162
D695,701 S *	12/2013	Lee	.....	D14/126
D697,027 S *	1/2014	Ho	.....	D13/108
D702,194 S *	4/2014	Cho	.....	D13/162
D714,248 S *	9/2014	Chang	.....	D14/140
D724,060 S *	3/2015	Ahn	.....	D14/218
D725,285 S *	3/2015	Wohlstadter	.....	D14/336
D726,156 S *	4/2015	Gillespie-Brown	.....	D14/216
D726,161 S *	4/2015	Howard	.....	D14/218
D743,954 S *	11/2015	Chuang	.....	D13/168
D746,166 S *	12/2015	Li	.....	D10/104.1
D748,078 S *	1/2016	Nardin	.....	D14/218
D752,552 S *	3/2016	D'Ascanio	.....	D14/216
9,564,130 B2 *	2/2017	Choi	.....	G10L 15/22
D784,271 S *	4/2017	Burke	.....	D13/168
D786,200 S *	5/2017	Lagerstedt	.....	D13/168

\* cited by examiner

*Primary Examiner* — Selina Sikder

(74) *Attorney, Agent, or Firm* — Russell Swerdon;  
Desmund Gean

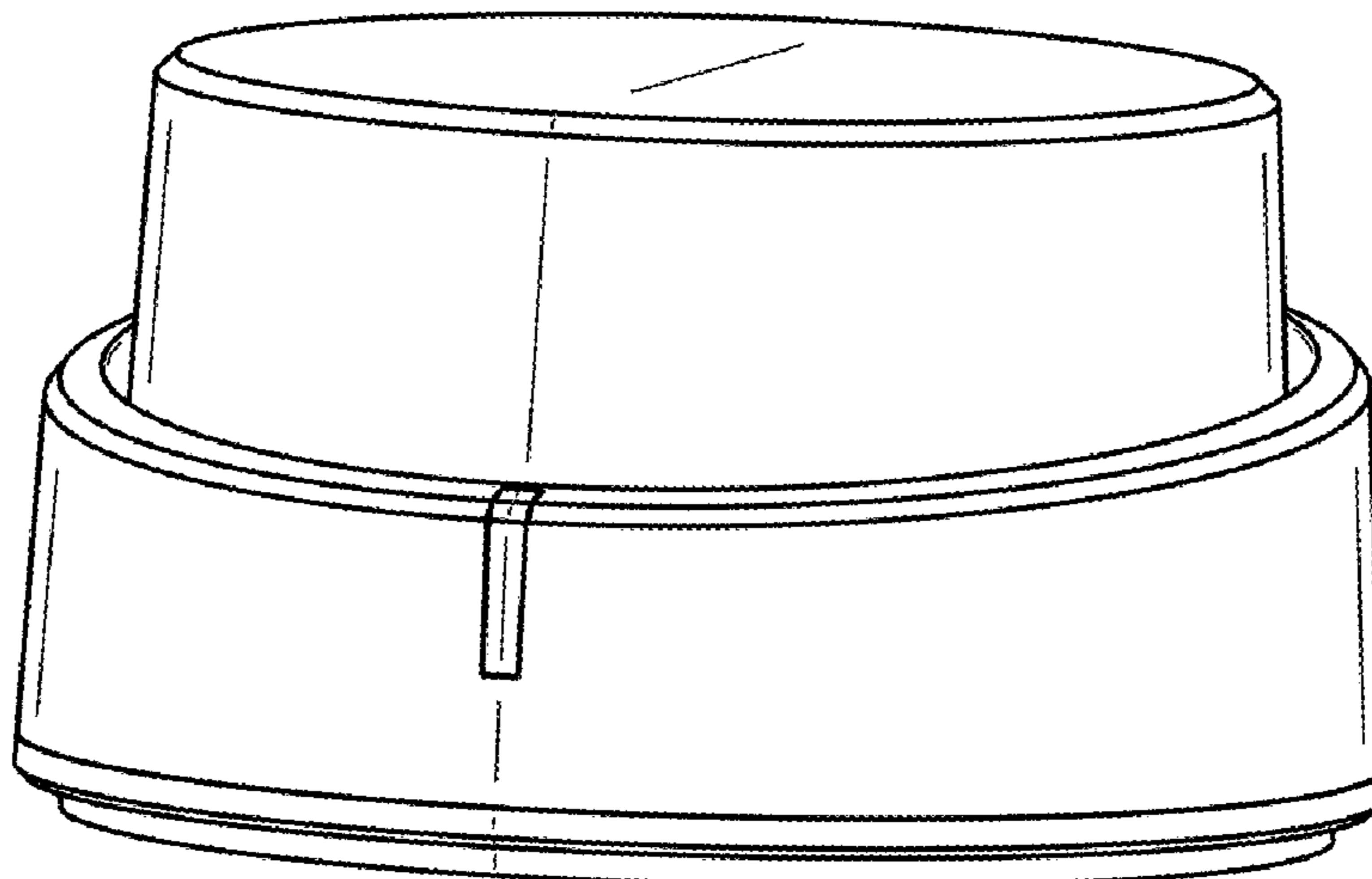
(57) **CLAIM**

The ornamental design for a control module, substantially as shown and described.

**DESCRIPTION**

FIG. 1 is a front perspective view of a control module showing our new design;  
FIG. 2 is a rear perspective view of the control module in FIG. 1;  
FIG. 3 is a front view thereof;  
FIG. 4 is a rear view thereof;  
FIG. 5 is a left side view thereof;  
FIG. 6 is a right side view thereof;  
FIG. 7 is a top view thereof, and,  
FIG. 8 is a bottom view thereof.

**1 Claim, 8 Drawing Sheets**



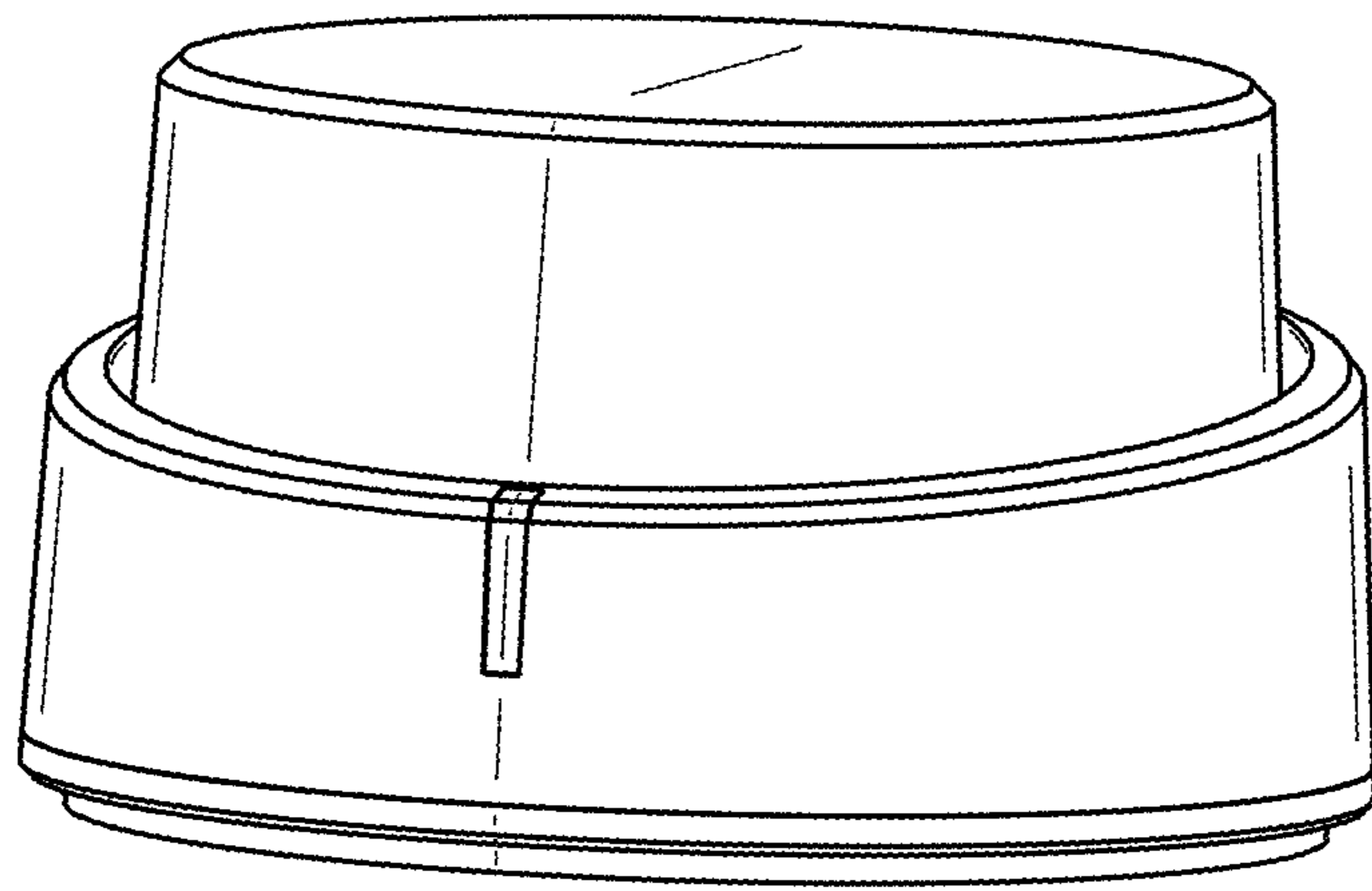


FIG. 1

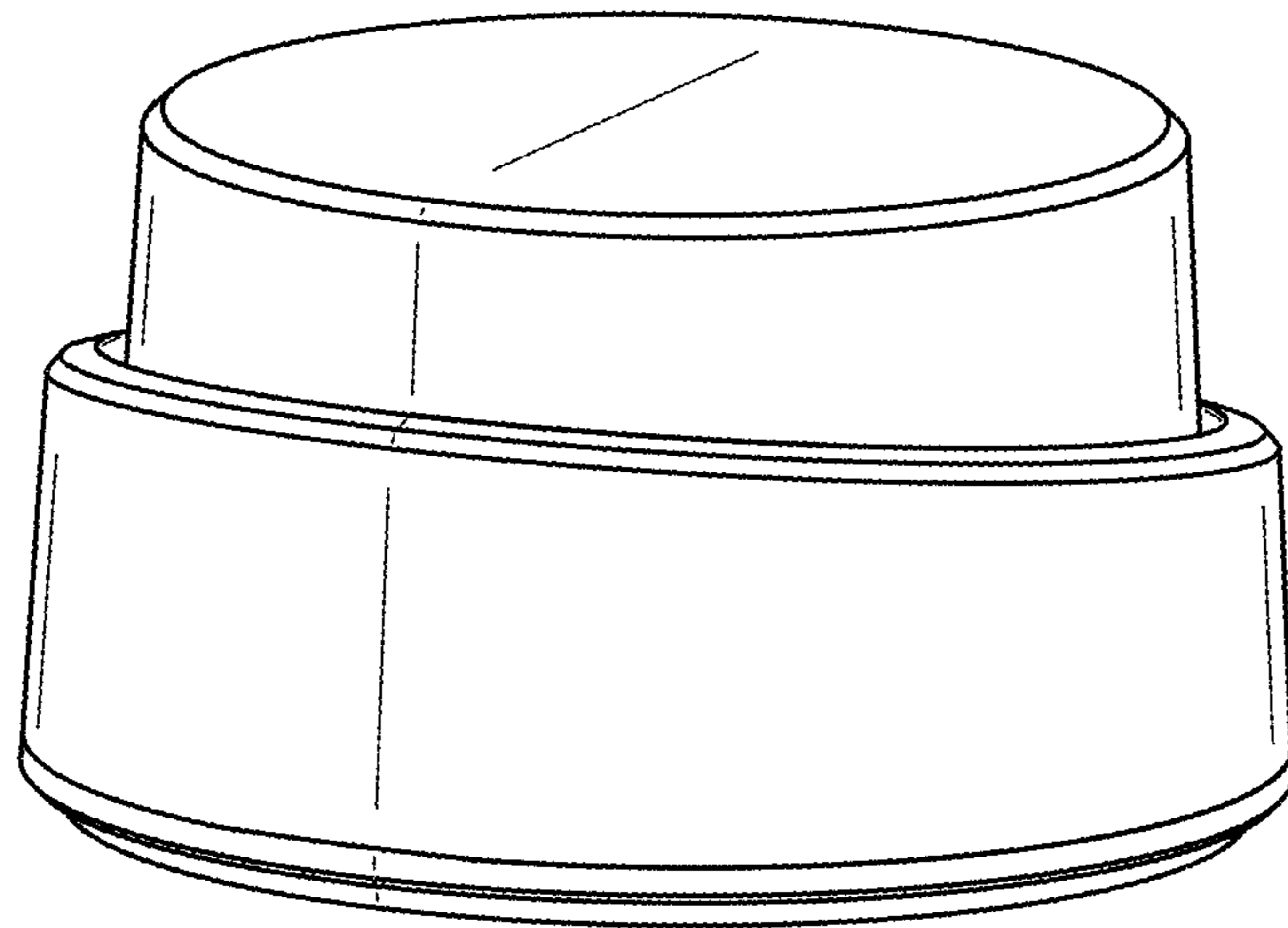


FIG. 2

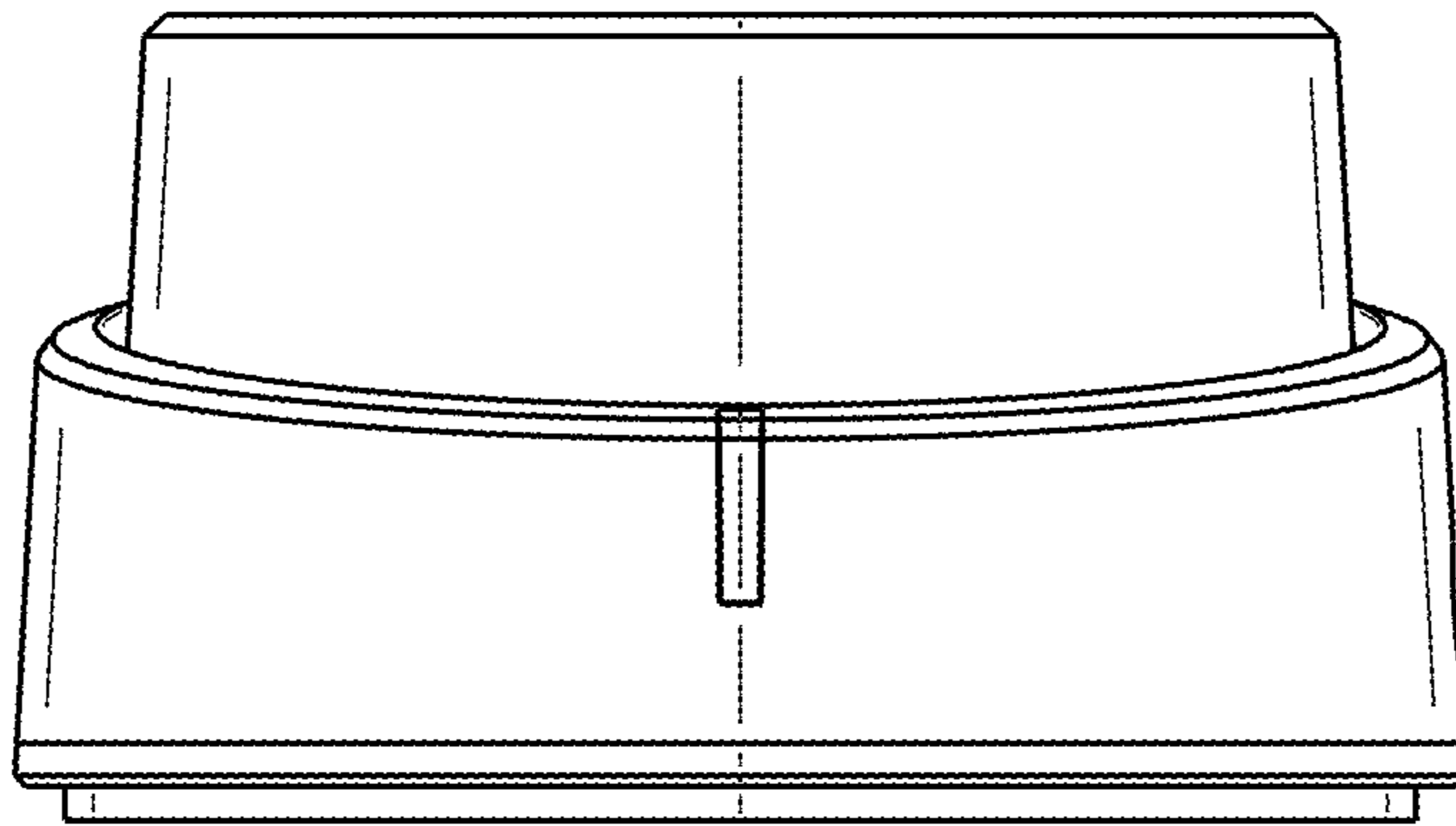


FIG. 3

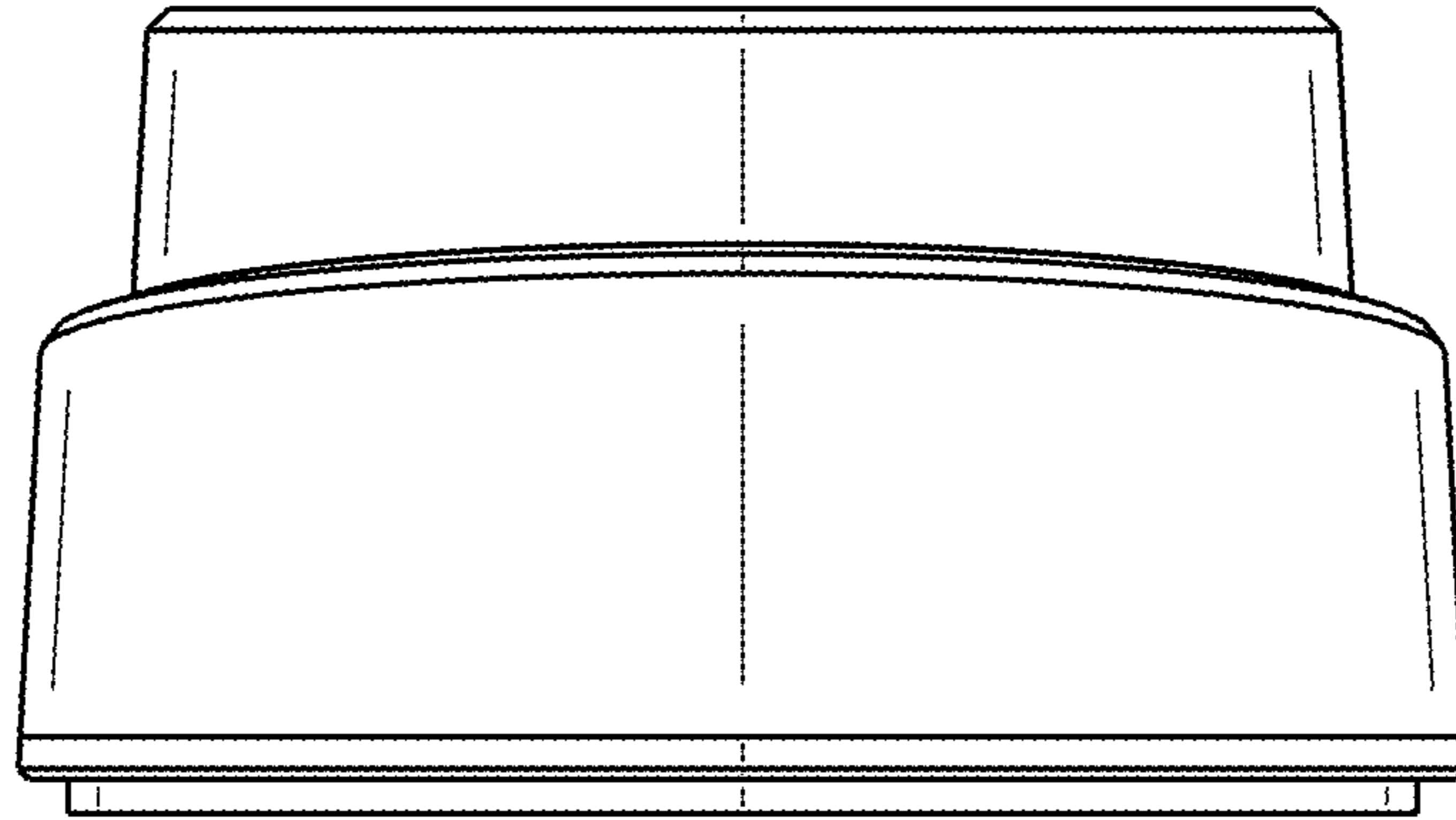


FIG. 4

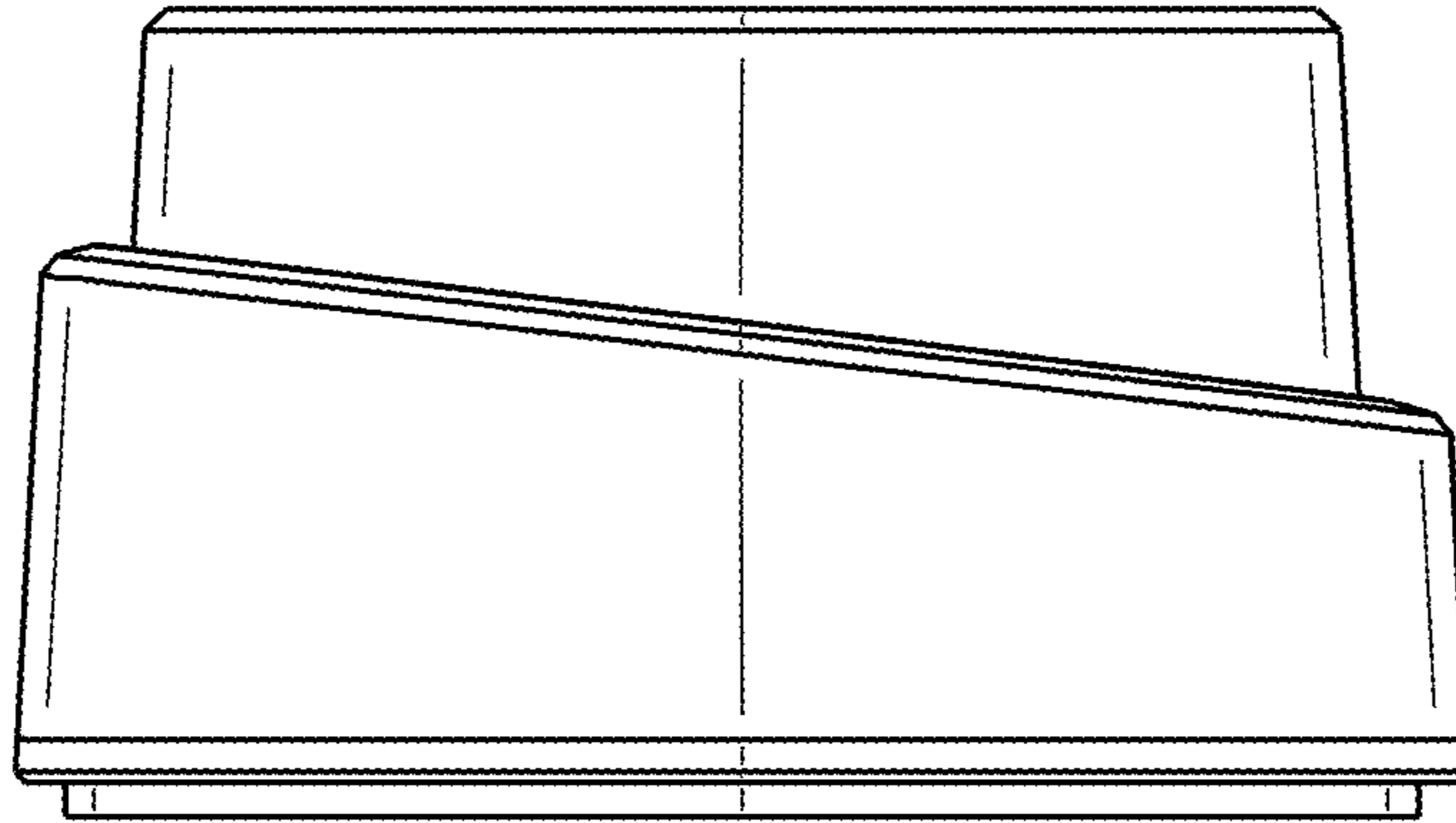


FIG. 5

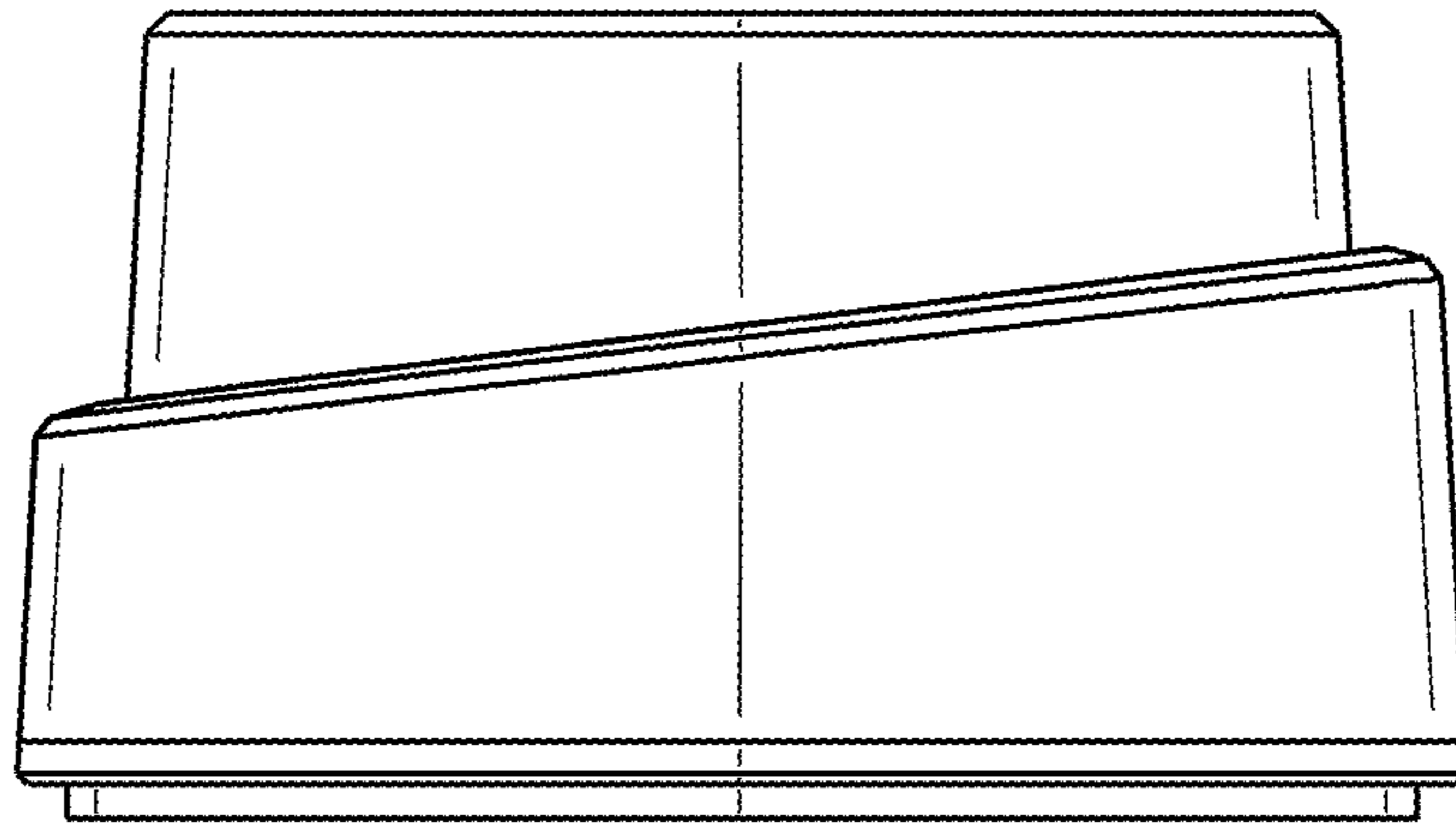


FIG. 6

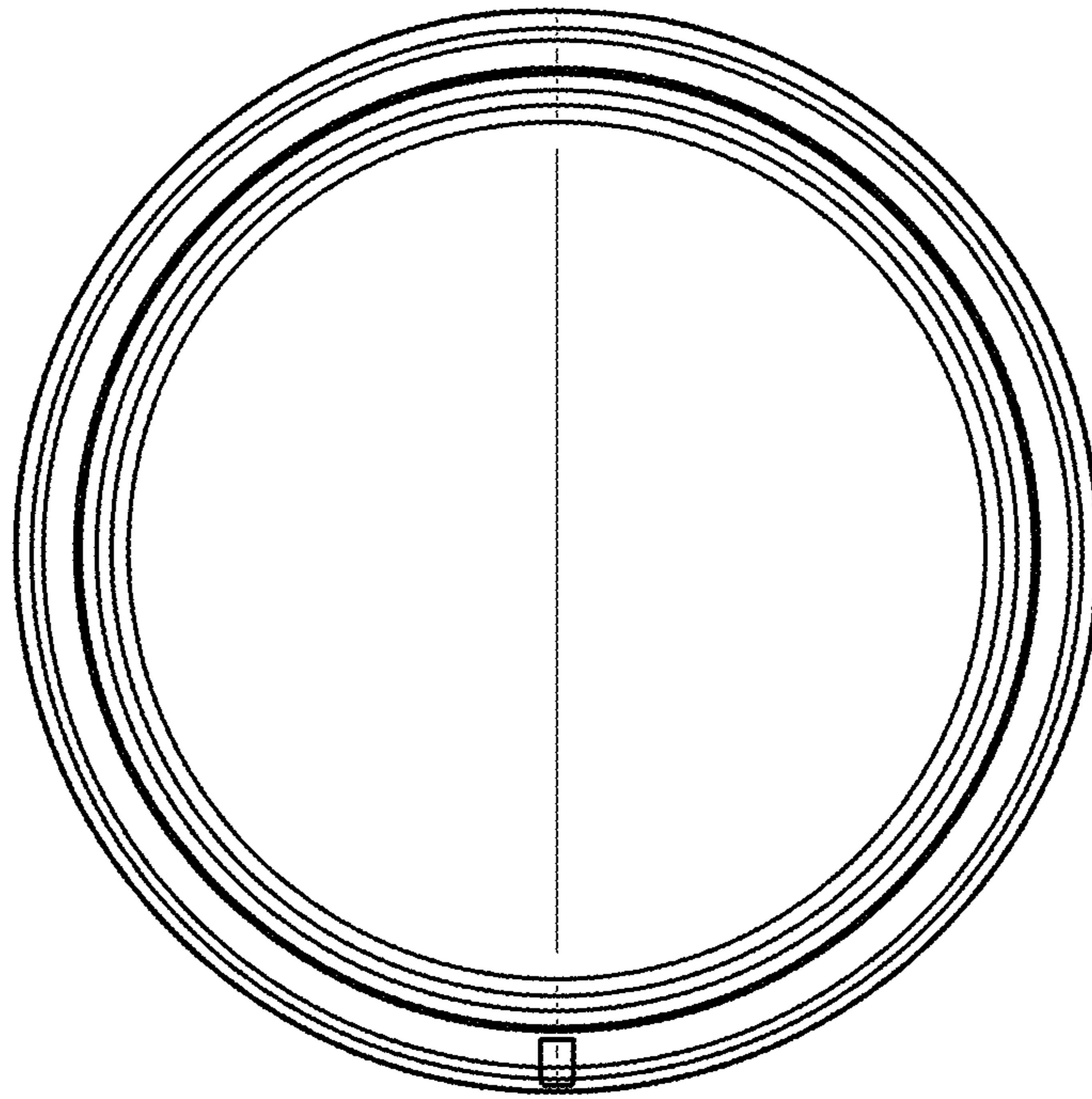


FIG. 7



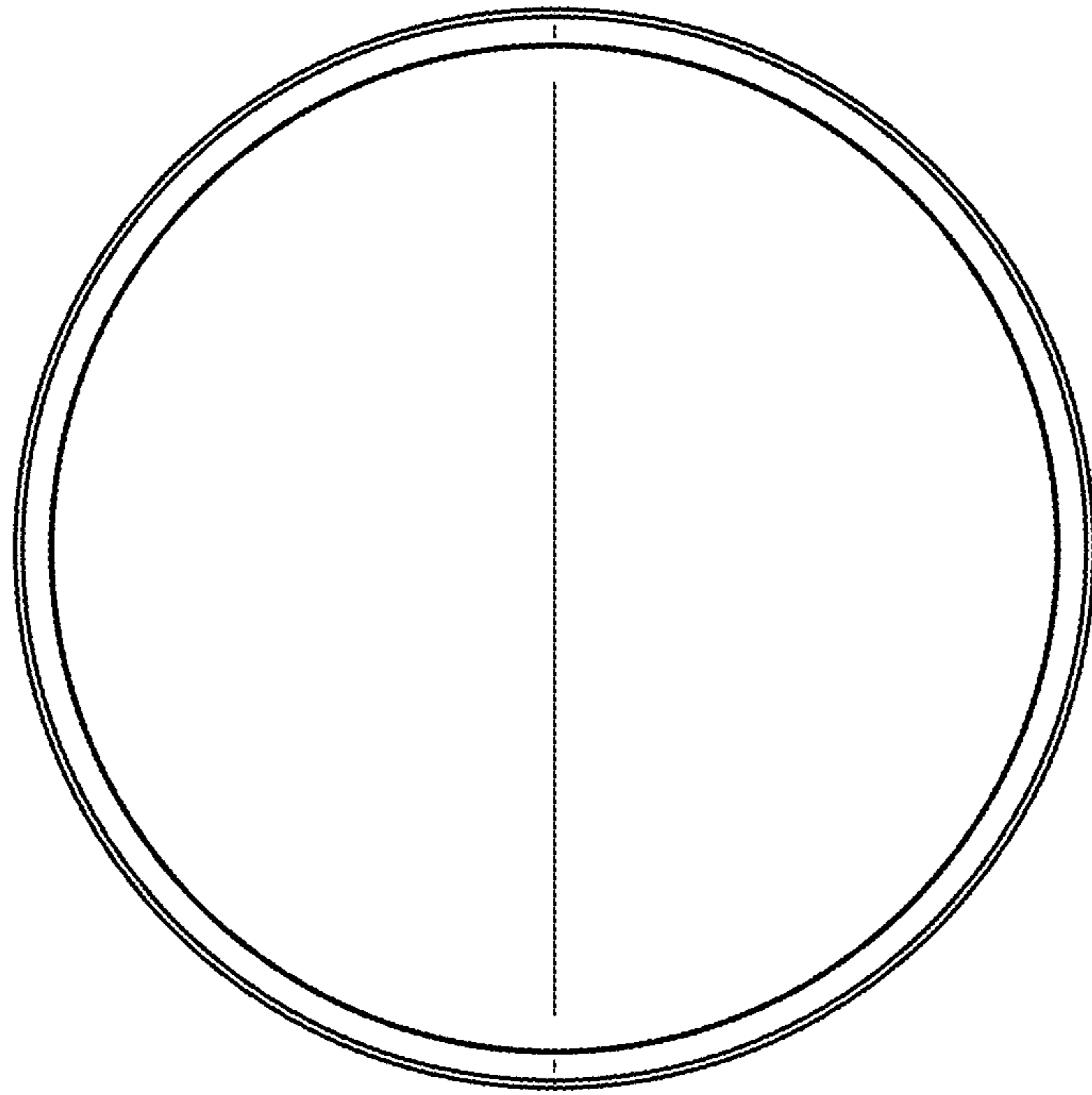


FIG. 8