



US00D816045S

(12) **United States Design Patent**
Mikawa

(10) **Patent No.:** **US D816,045 S**
(45) **Date of Patent:** **** Apr. 24, 2018**

(54) **TRAY FOR CARD CONNECTOR**
(71) Applicant: **JAPAN AVIATION ELECTRONICS INDUSTRY, LIMITED**, Tokyo (JP)
(72) Inventor: **Kazuya Mikawa**, Tokyo (JP)
(73) Assignee: **Japan Aviation Electronics Industry, Limited**, Tokyo (JP)
(**) Term: **15 Years**

(21) Appl. No.: **29/584,618**
(22) Filed: **Nov. 16, 2016**

(30) **Foreign Application Priority Data**

Jun. 1, 2016 (JP) 2016-011757

(51) **LOC (11) Cl.** **13-03**
(52) **U.S. Cl.**

USPC **D13/154**

(58) **Field of Classification Search**
USPC D13/133, 147, 154; D14/435
CPC .. G06K 7/0021; G06K 13/08; G06K 13/1831;
G06K 13/085; H01R 13/633; H04B
1/3816
See application file for complete search history.

(56) **References Cited**

U.S. PATENT DOCUMENTS

D631,847 S * 2/2011 Ma H05K 7/1053
D13/154
D642,129 S * 7/2011 Ohkuma D13/133
D719,517 S * 12/2014 Yeh D13/154
9,647,359 B2 * 5/2017 Cho H04B 1/3816
9,774,359 B2 * 9/2017 Nagase H04B 1/3816
2012/0276765 A1 * 11/2012 Nakase H04M 1/026
439/159
2013/0005166 A1 * 1/2013 Lim G06K 13/08
439/157

2013/0196523 A1* 8/2013 Lim G06K 7/0021
439/153
2013/0314854 A1* 11/2013 Chung H05K 5/0239
361/679.01
2014/0377976 A1* 12/2014 Tsai G06K 7/0069
439/345
2015/0050841 A1* 2/2015 Okoshi G06K 7/0021
439/630
2015/0056851 A1* 2/2015 Zhang H04B 1/3816
439/527
2015/0155651 A1* 6/2015 Ejiri H01R 13/5213
439/521

(Continued)

FOREIGN PATENT DOCUMENTS

JP 1474740 S 7/2013

Primary Examiner — Selina Sikder

(74) *Attorney, Agent, or Firm* — Cermak Nakajima & McGowan LLP; Tomoko Nakajima

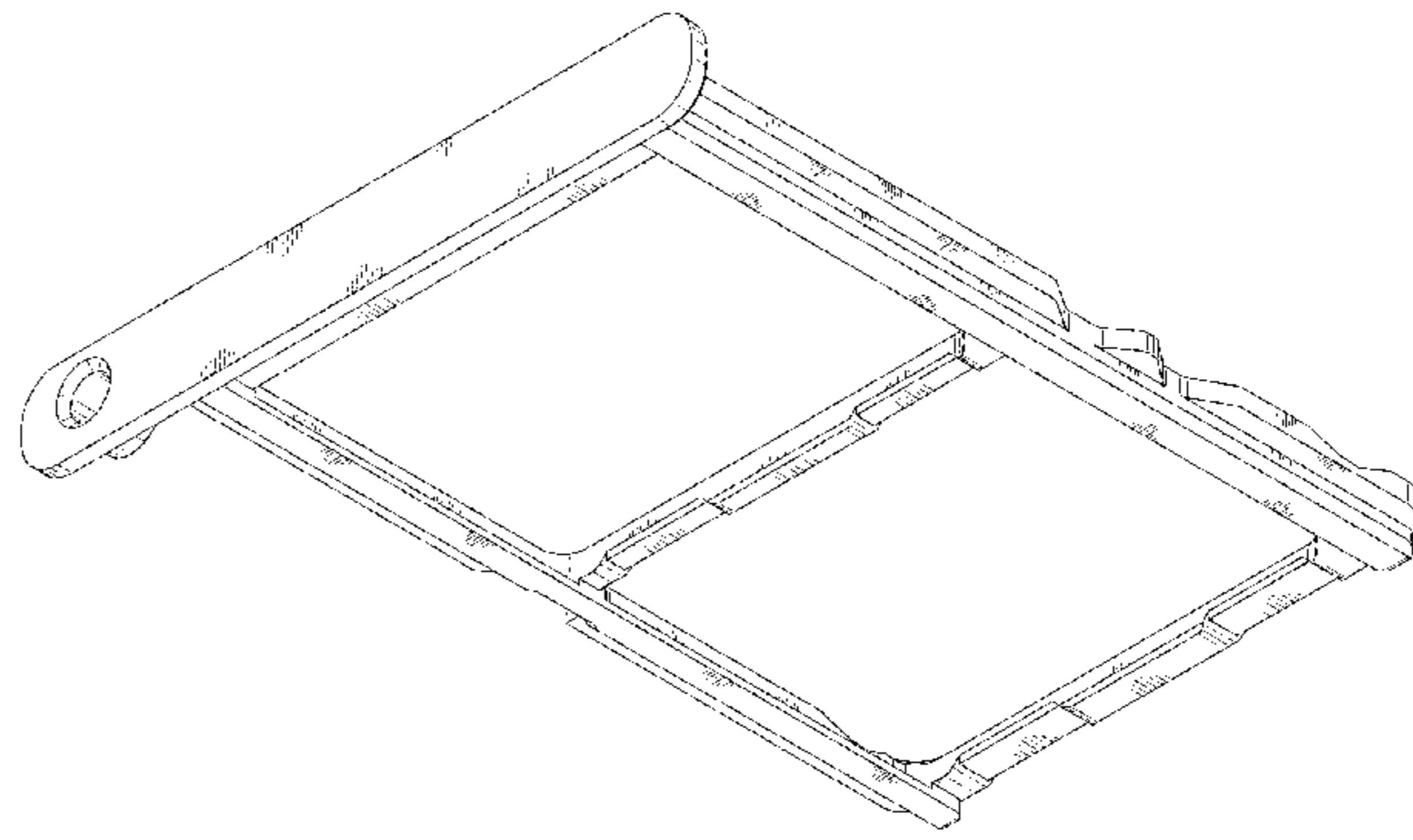
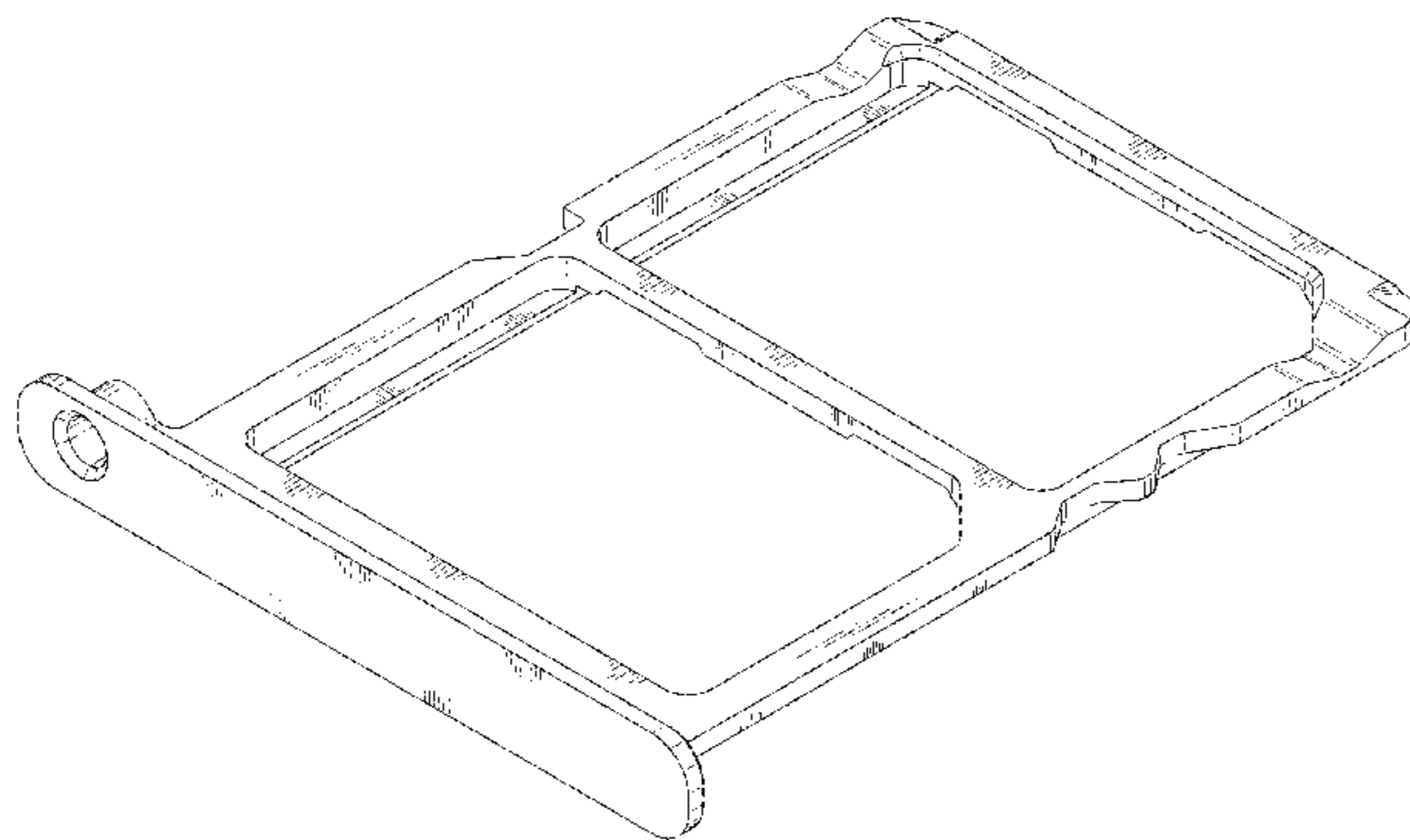
(57) **CLAIM**

The ornamental design for a tray for card connector, as shown.

DESCRIPTION

FIG. 1 is a front elevational view of a tray for a card connector showing my new design;
FIG. 2 is a top plan view thereof;
FIG. 3 is a right side elevational view thereof;
FIG. 4 is a left side elevational view thereof;
FIG. 5 is a rear elevational view thereof; and
FIG. 6 is a bottom plan view thereof.
FIG. 7 is a front and top perspective view thereof;
FIG. 8 is a rear and top perspective view thereof;
FIG. 9 is a front and bottom perspective view thereof; and
FIG. 10 is a rear and bottom perspective view thereof; and
FIG. 11 is a cross sectional view thereof taken along the line A-A shown in FIG. 2.

1 Claim, 11 Drawing Sheets



(56)

References Cited

U.S. PATENT DOCUMENTS

2016/0006158 A1* 1/2016 Lu G06K 13/08
439/630
2016/0036143 A1* 2/2016 Motohashi H01R 13/635
439/160
2016/0036172 A1* 2/2016 Wang G06K 19/00
439/620.21
2016/0111801 A1* 4/2016 Zeng H01R 12/7076
439/660
2016/0164204 A1* 6/2016 Cho H04B 1/3816
439/152
2016/0164205 A1* 6/2016 Nagase G06K 13/08
439/159
2016/0359267 A1* 12/2016 Hu G06K 7/0021
2017/0077629 A1* 3/2017 Ferenczi G06K 7/00
2017/0162982 A1* 6/2017 Wu H04B 1/3816
2017/0172004 A1* 6/2017 Yang H05K 5/0286
2017/0207558 A1* 7/2017 Chen H01R 12/7052
2017/0207591 A1* 7/2017 Chen H01R 13/6581
2017/0250480 A1* 8/2017 Park H01R 12/7094

* cited by examiner

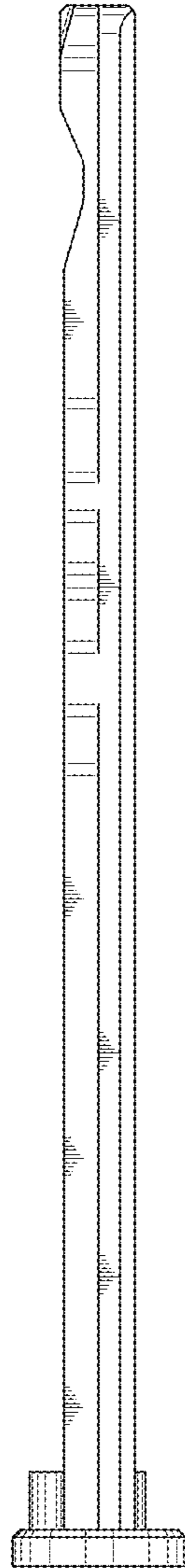


FIG.1

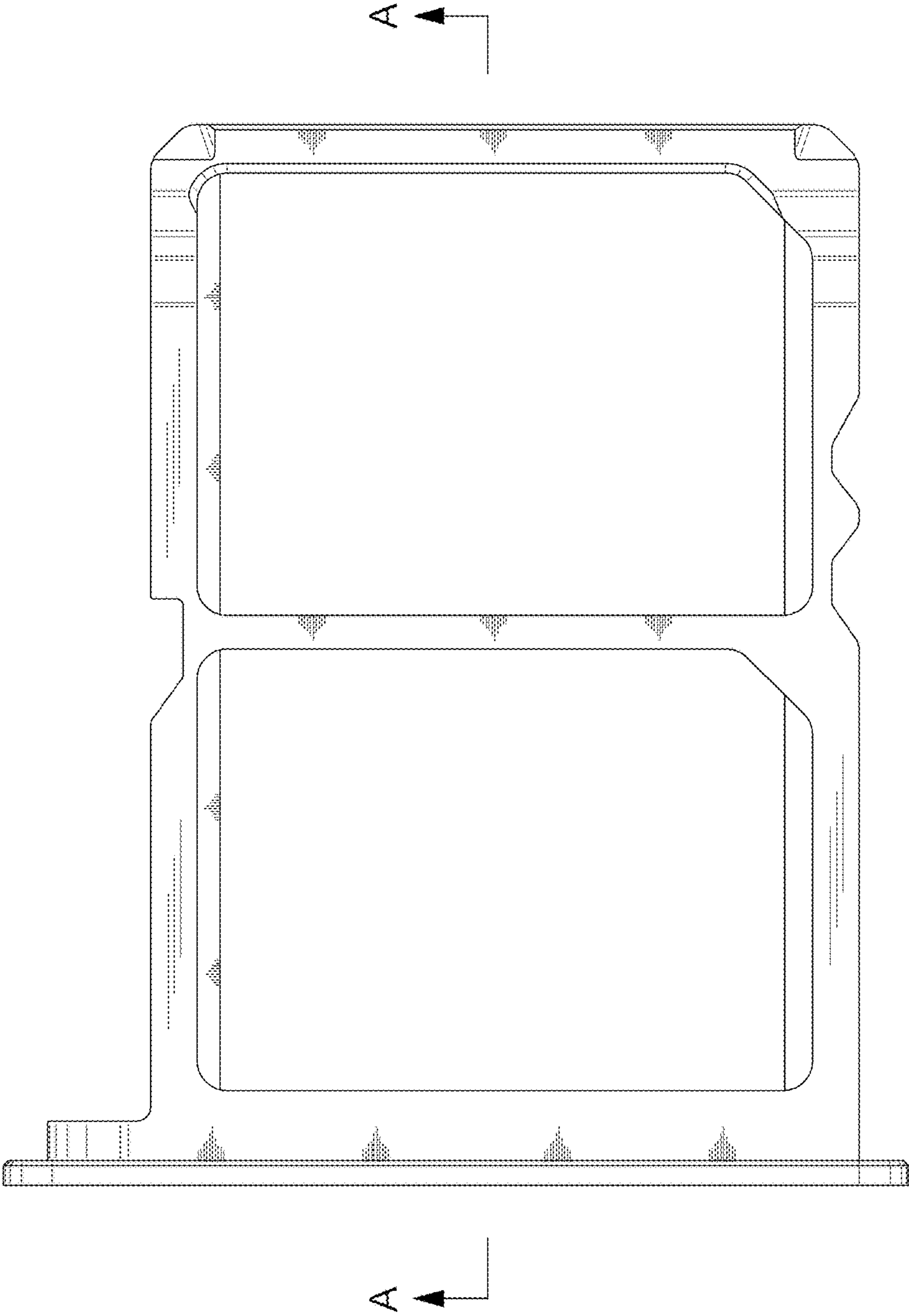


FIG.2

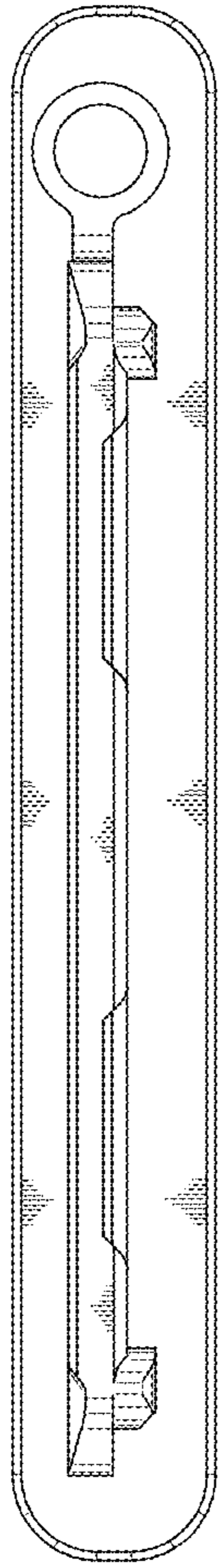


FIG.3

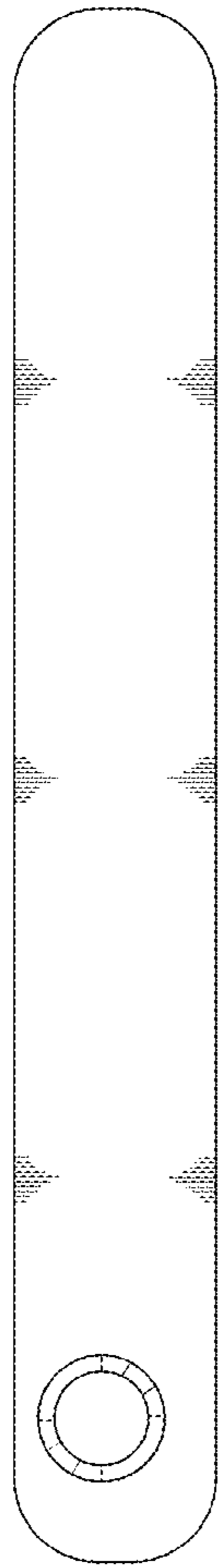


FIG.4

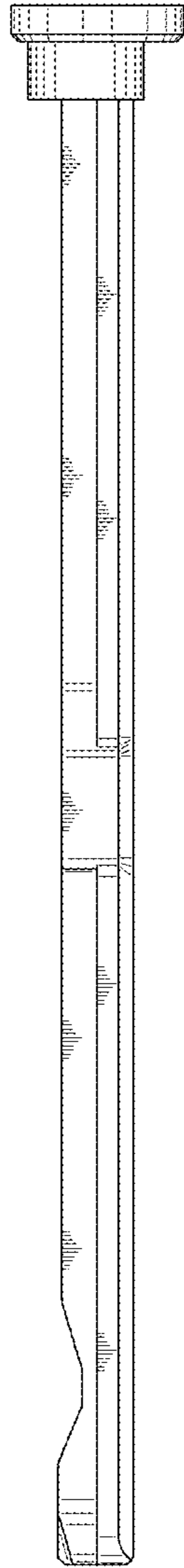


FIG.5

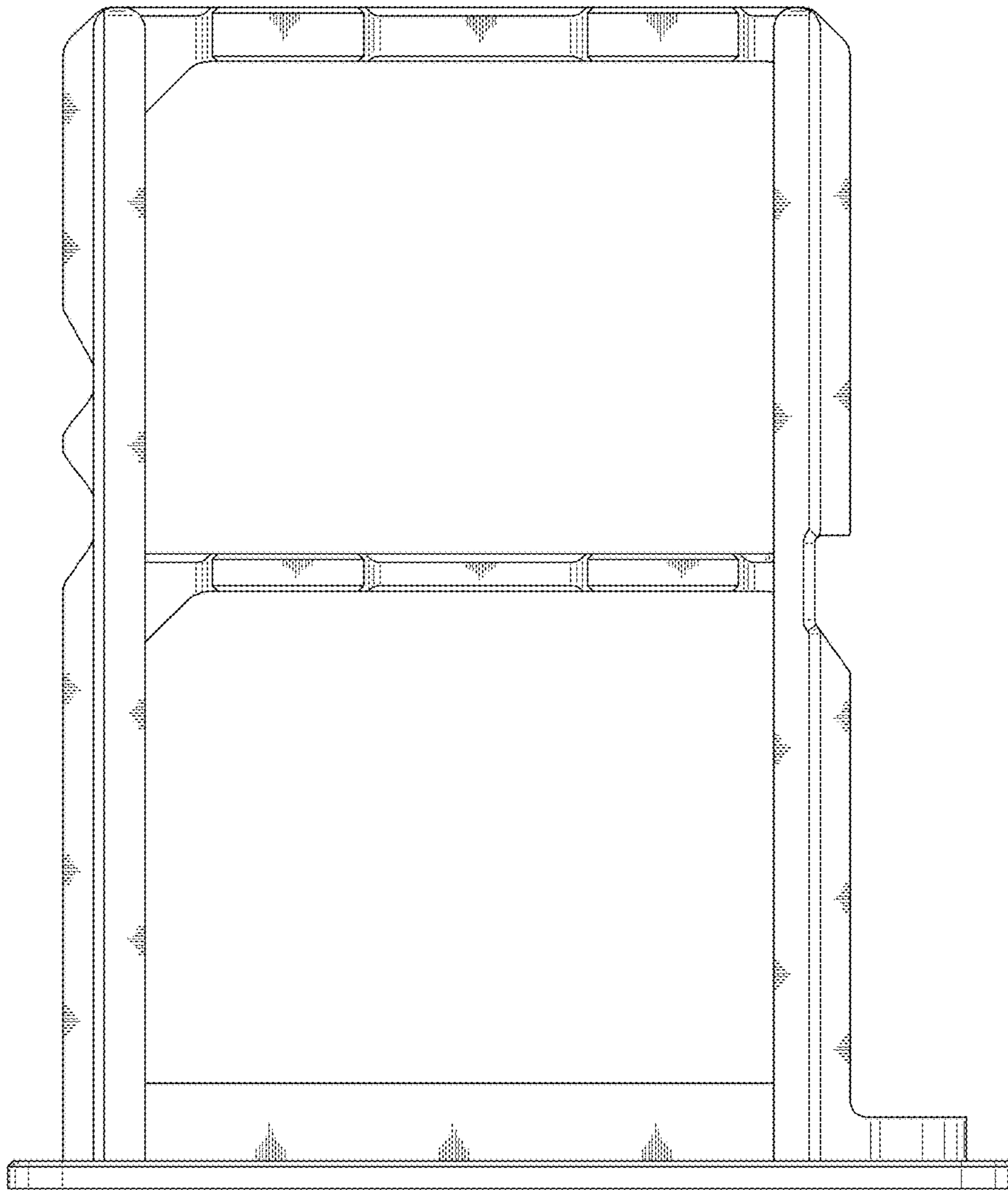


FIG.6

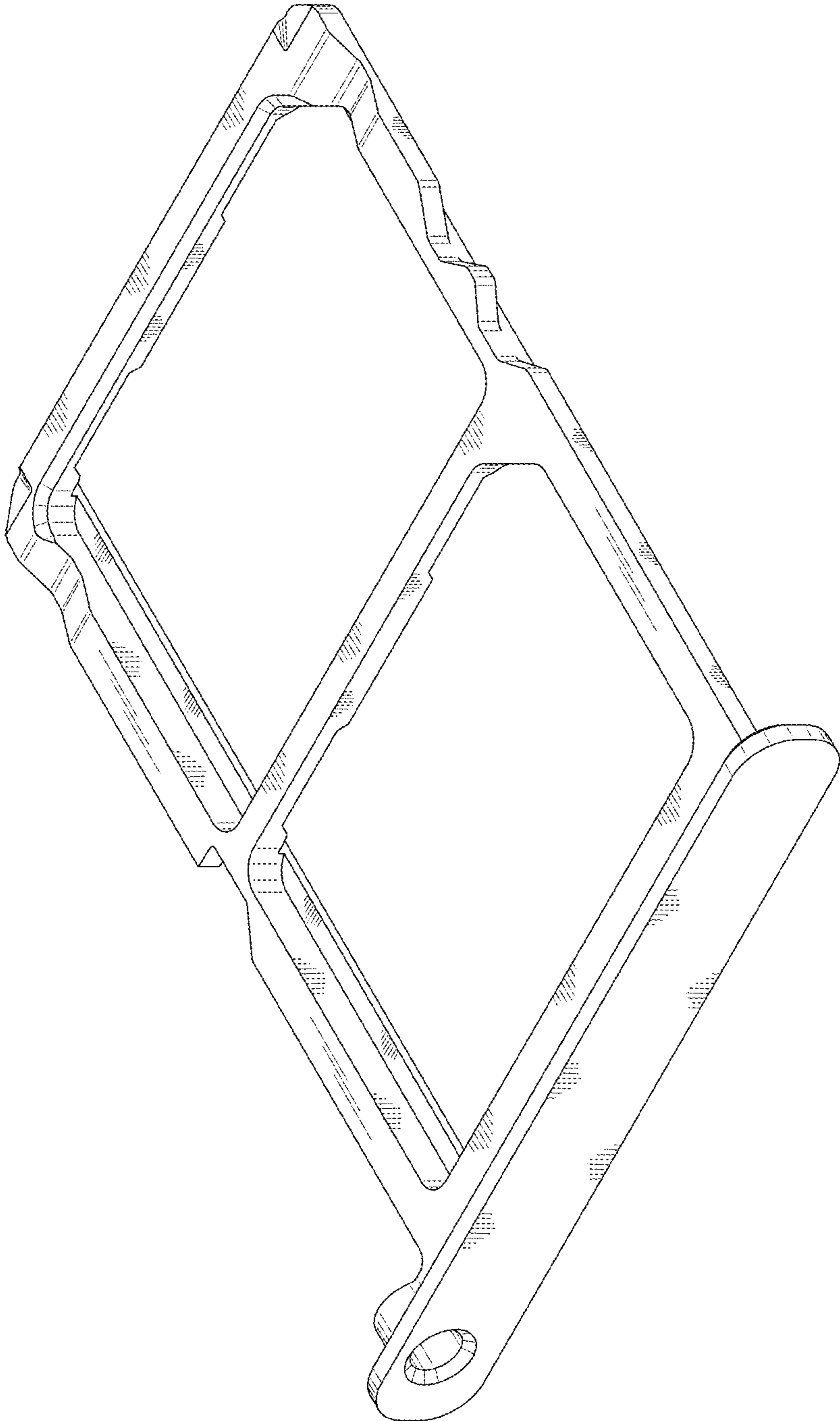


FIG.7

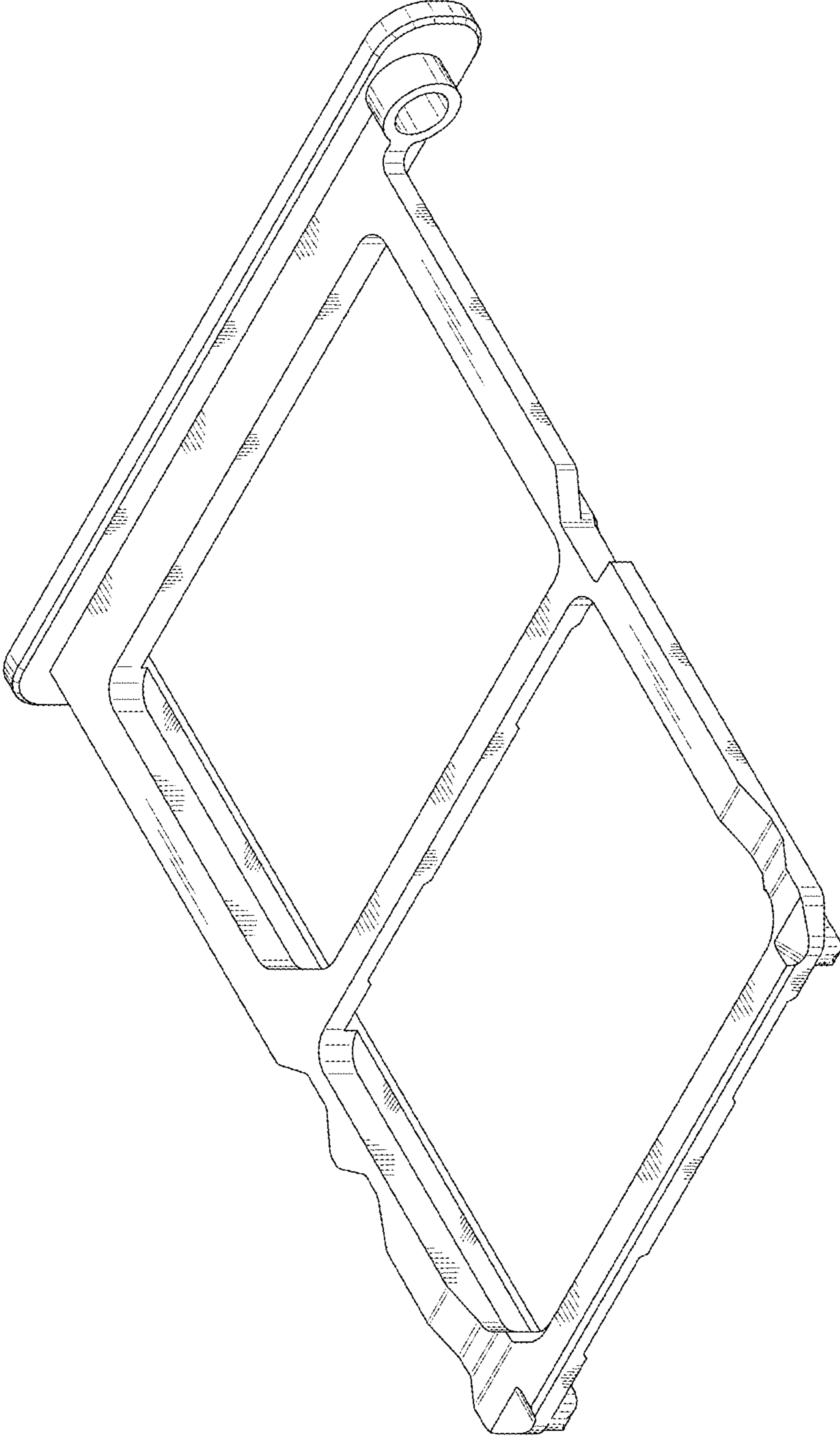


FIG.8

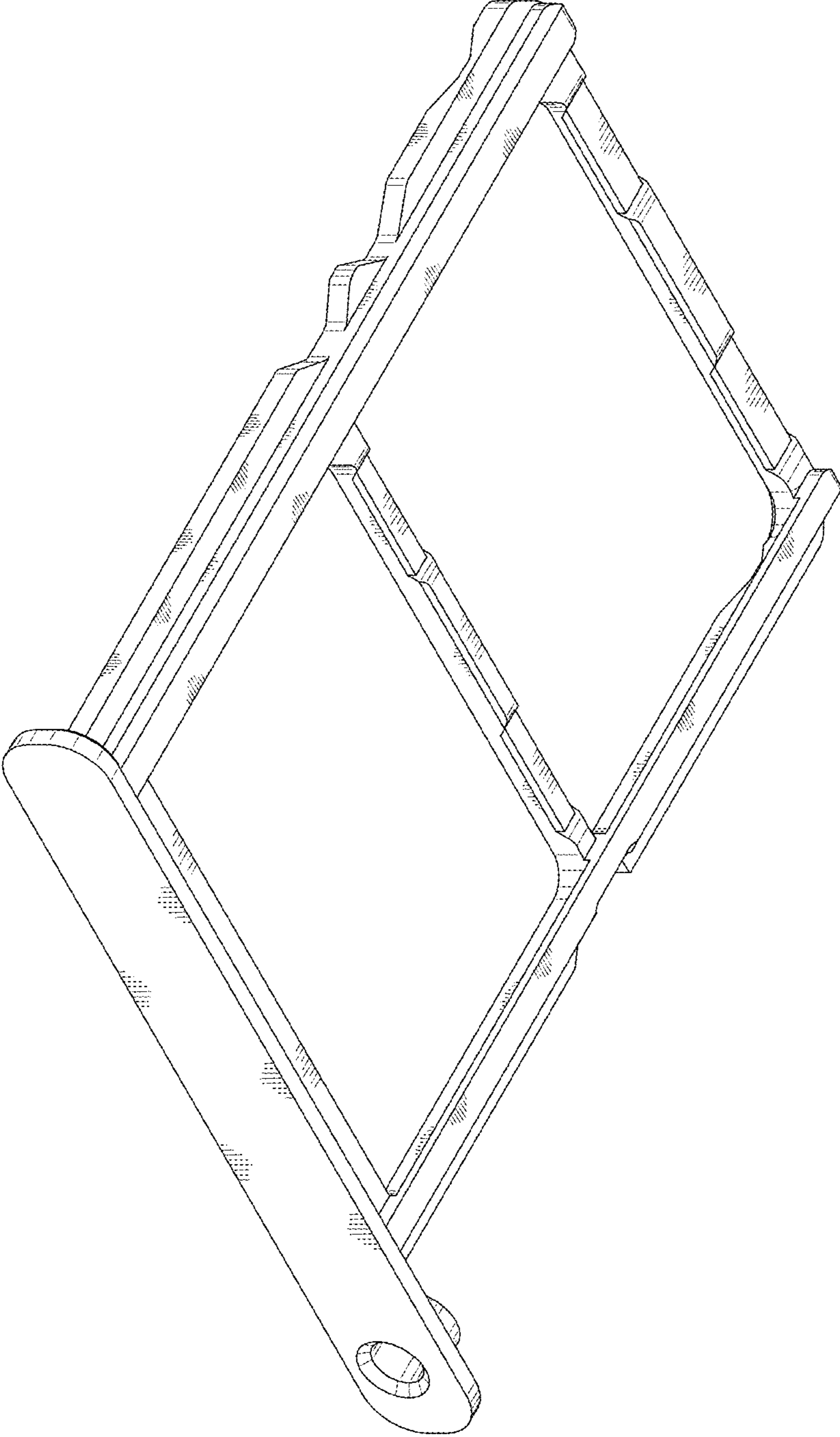


FIG.9

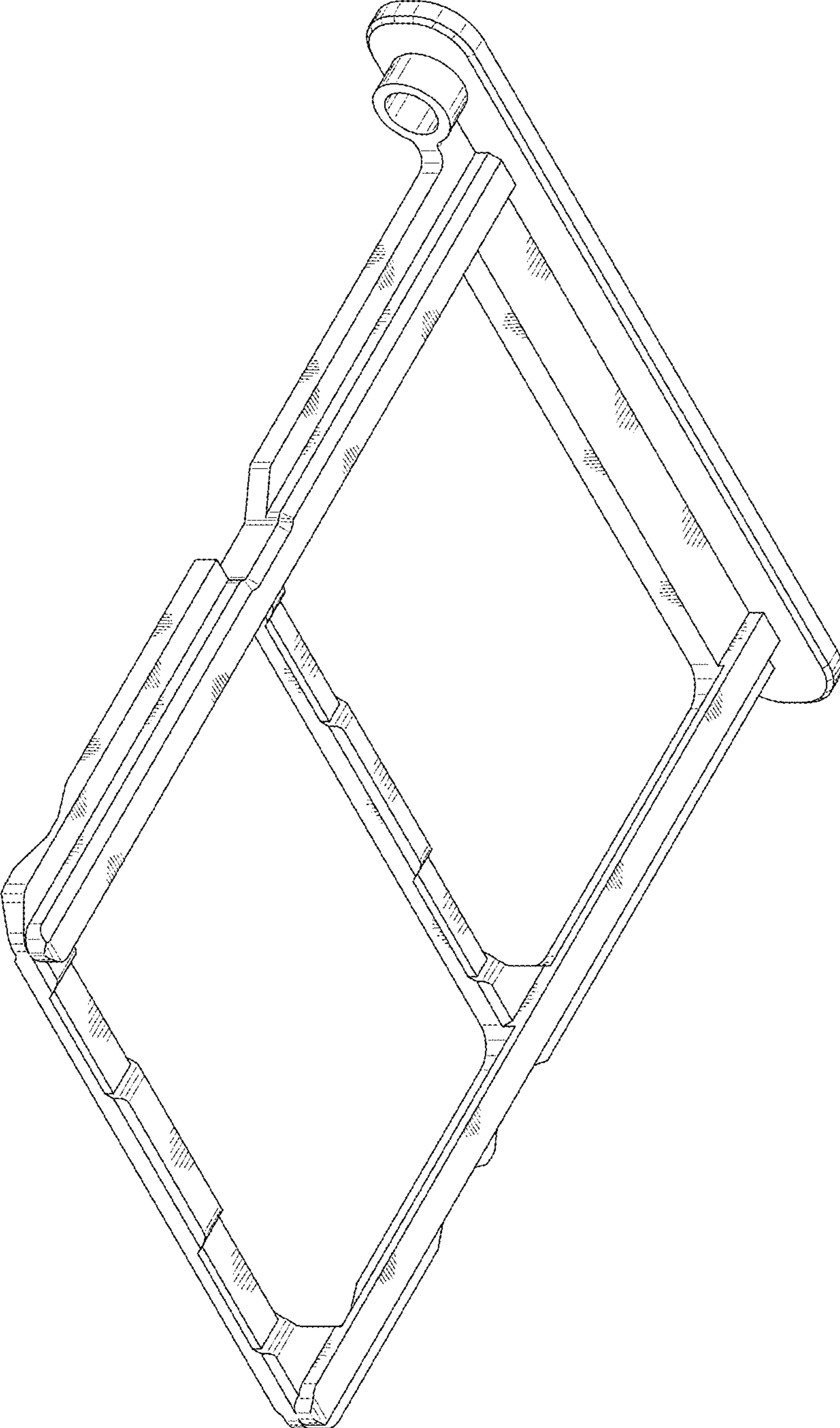


FIG.10

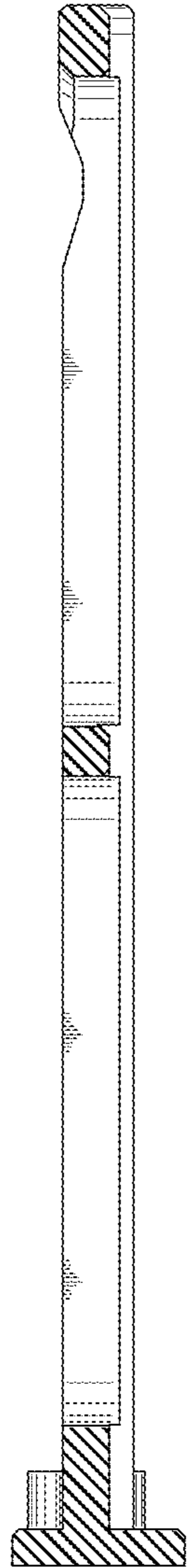


FIG.11