



US00D816043S

(12) **United States Design Patent**
Ashibu et al.

(10) **Patent No.:** **US D816,043 S**
(45) **Date of Patent:** **** Apr. 24, 2018**

(54) **ELECTRICAL CONNECTOR**

(71) Applicant: **JAPAN AVIATION ELECTRONICS INDUSTRY, LIMITED**, Tokyo (JP)

(72) Inventors: **Kenta Ashibu**, Tokyo (JP); **Hiroaki Obikane**, Tokyo (JP); **Takayuki Nishimura**, Tokyo (JP); **Akihiro Matsunaga**, Tokyo (JP)

(73) Assignee: **Japan Aviation Electronics Industry, Limited**, Tokyo (JP)

(**) Term: **15 Years**

(21) Appl. No.: **29/596,710**

(22) Filed: **Mar. 10, 2017**

(30) **Foreign Application Priority Data**

Sep. 28, 2016 (JP) 2016-020784

(51) **LOC (11) Cl.** **13-03**

(52) **U.S. Cl.**
USPC **D13/147**

(58) **Field of Classification Search**

USPC D13/123, 133, 146, 147, 154, 156, 184, D13/199; D14/432, 433, 434, 435.1, 438
CPC H01R 12/55; H01R 12/58; H01R 12/592; H01R 12/616; H01R 12/62; H01R 12/70; H01R 12/7076; H01R 12/71; H01R 12/716; H01R 12/718; H01R 12/72; H01R 12/73; H01R 12/737; H01R 12/774; H01R 12/777; H01R 12/778; H01R 12/79

See application file for complete search history.

(56) **References Cited**

U.S. PATENT DOCUMENTS

D501,448 S *	2/2005	Ishikawa	D13/147
D642,535 S *	8/2011	Sato	D13/147
D683,317 S	5/2013	Nishimura et al.	
D684,120 S *	6/2013	Miyazaki	D13/147
D688,210 S *	8/2013	Mashiyama	D13/147
D692,833 S *	11/2013	Nishimura	D13/147
D695,691 S	12/2013	Kobuchi et al.	
D735,674 S *	8/2015	Miyazaki	D13/147
D739,826 S *	9/2015	Omodachi	D13/147
D774,463 S *	12/2016	Omodachi	D13/147

* cited by examiner

Primary Examiner — Daniel Bui

(74) *Attorney, Agent, or Firm* — Cermak Nakajima & McGowan LLP; Tomoko Nakajima

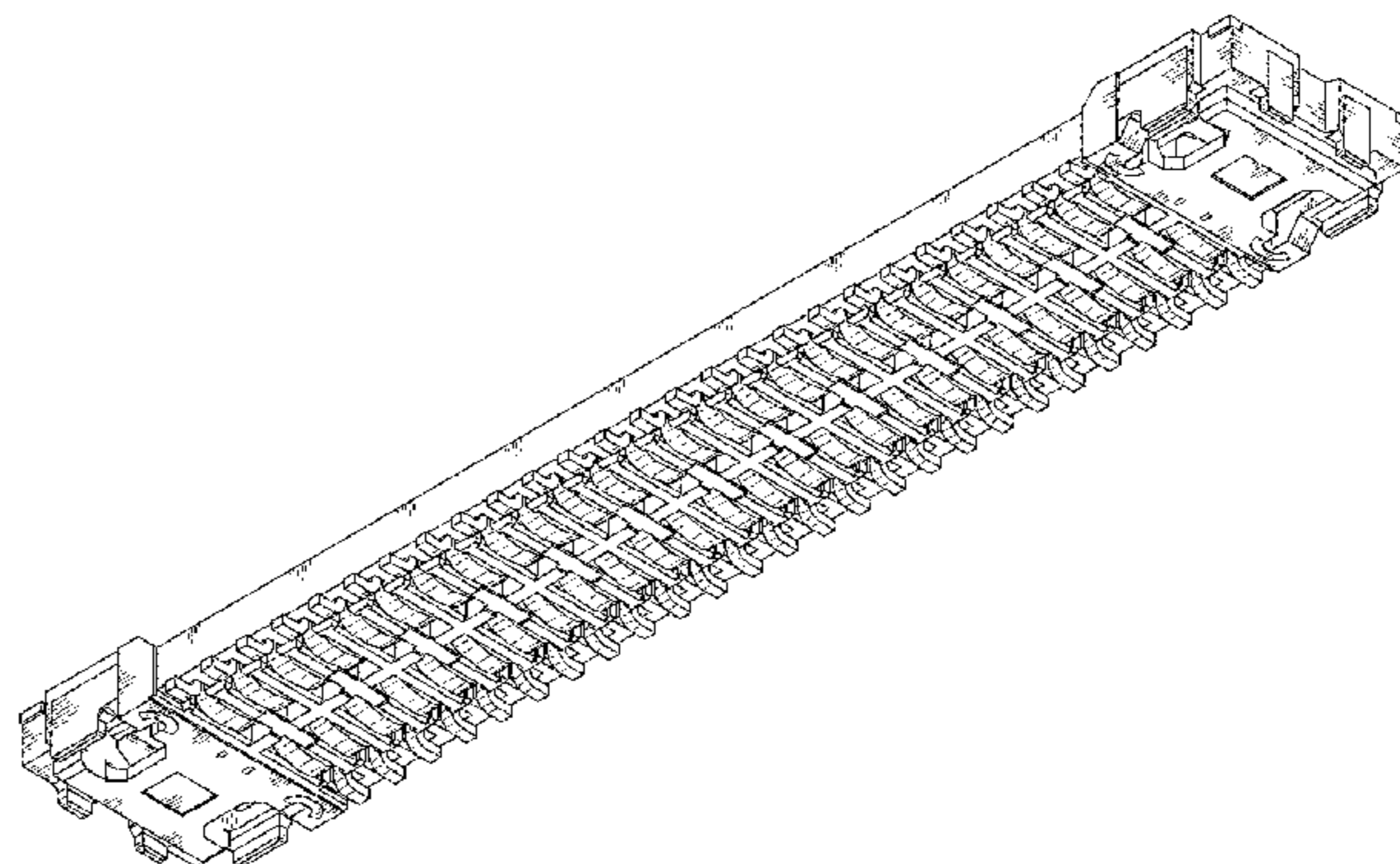
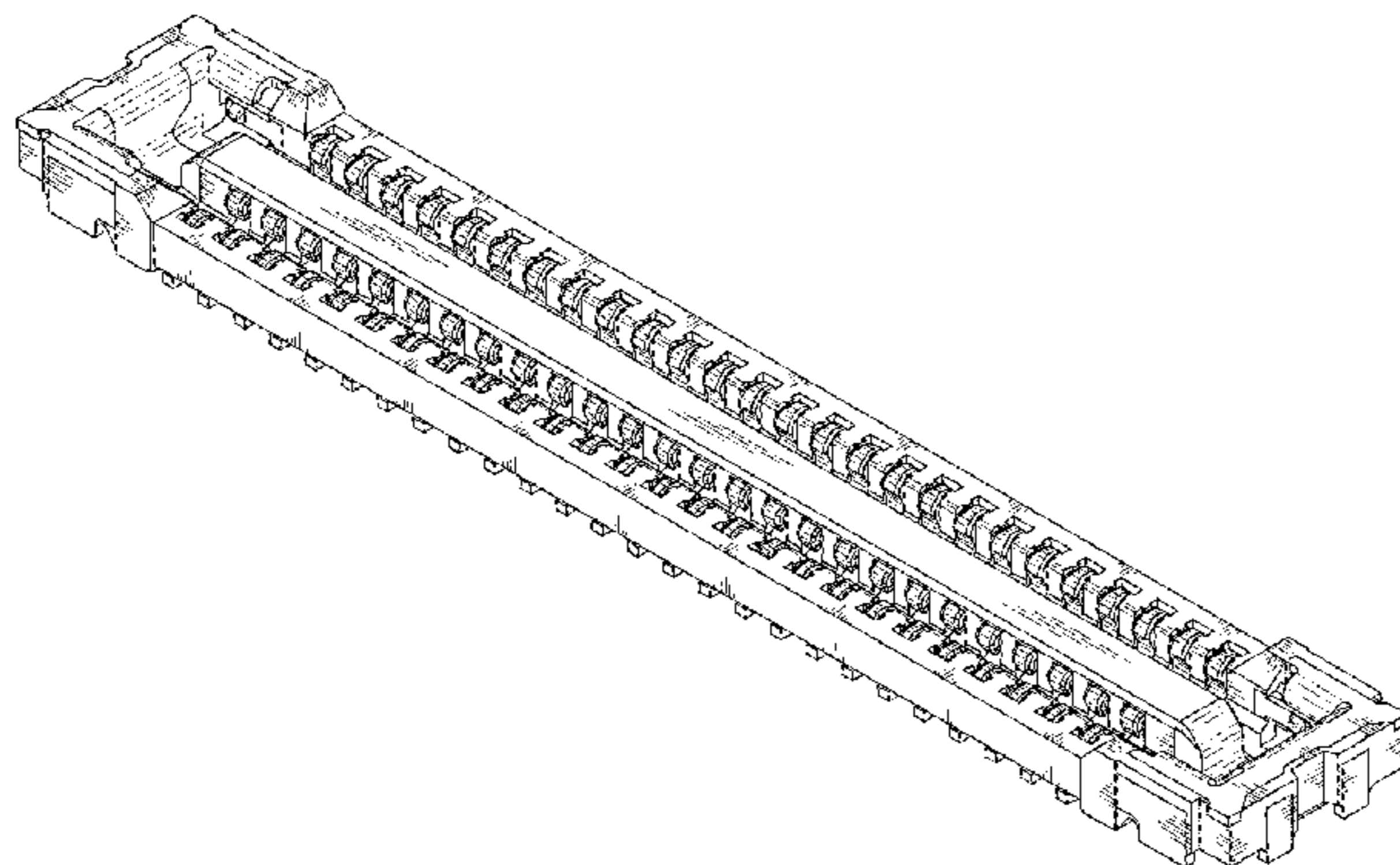
(57) **CLAIM**

The ornamental design for an electrical connector, as shown and described.

DESCRIPTION

FIG. 1 is a front elevational view of an electrical connector showing our new design;
FIG. 2 is a top plan view thereof;
FIG. 3 is a right side elevational view thereof;
FIG. 4 is a left side elevational view thereof;
FIG. 5 is a rear elevational view thereof;
FIG. 6 is a bottom plan view thereof;
FIG. 7 is a top perspective view thereof;
FIG. 8 is a bottom perspective view thereof; and,
FIG. 9 is a cross-sectional view thereof taken along the line A-A as shown in FIG. 2.

1 Claim, 9 Drawing Sheets



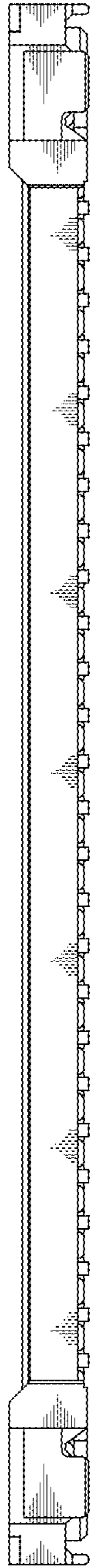


FIG.1

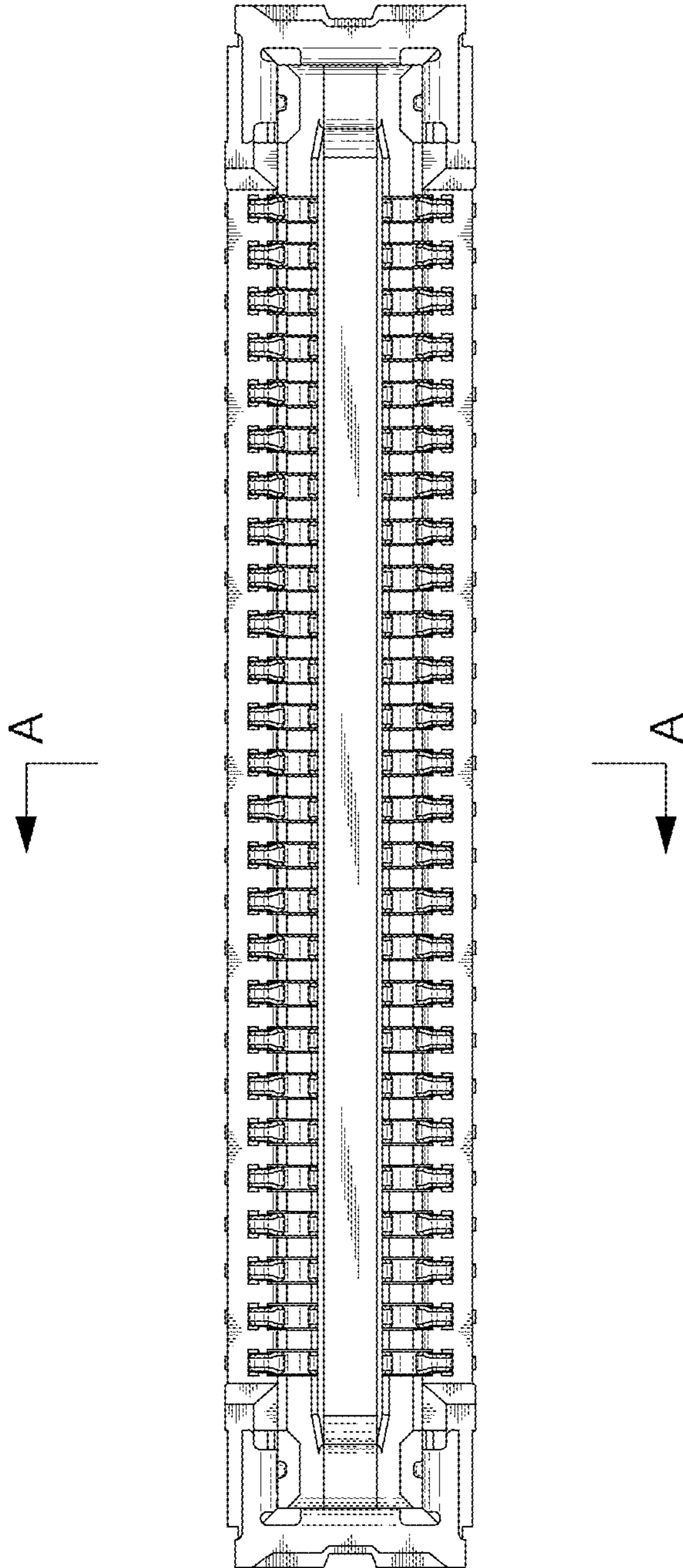


FIG.2

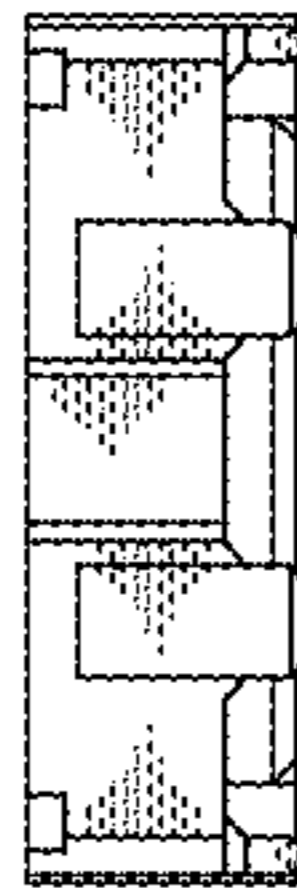


FIG.3

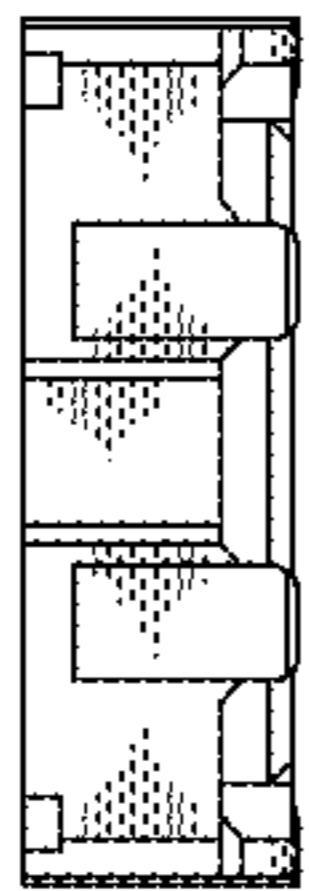


FIG.4

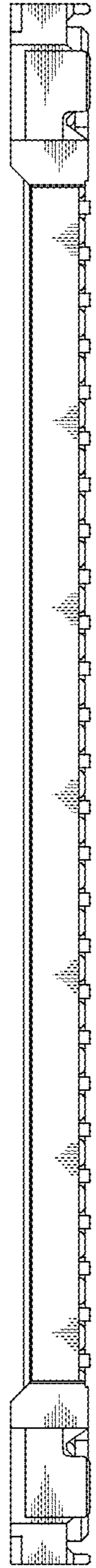


FIG.5

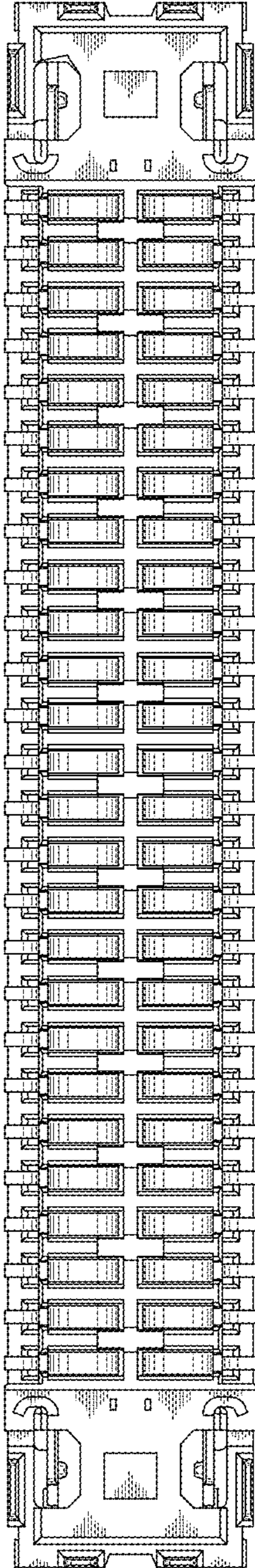


FIG.6

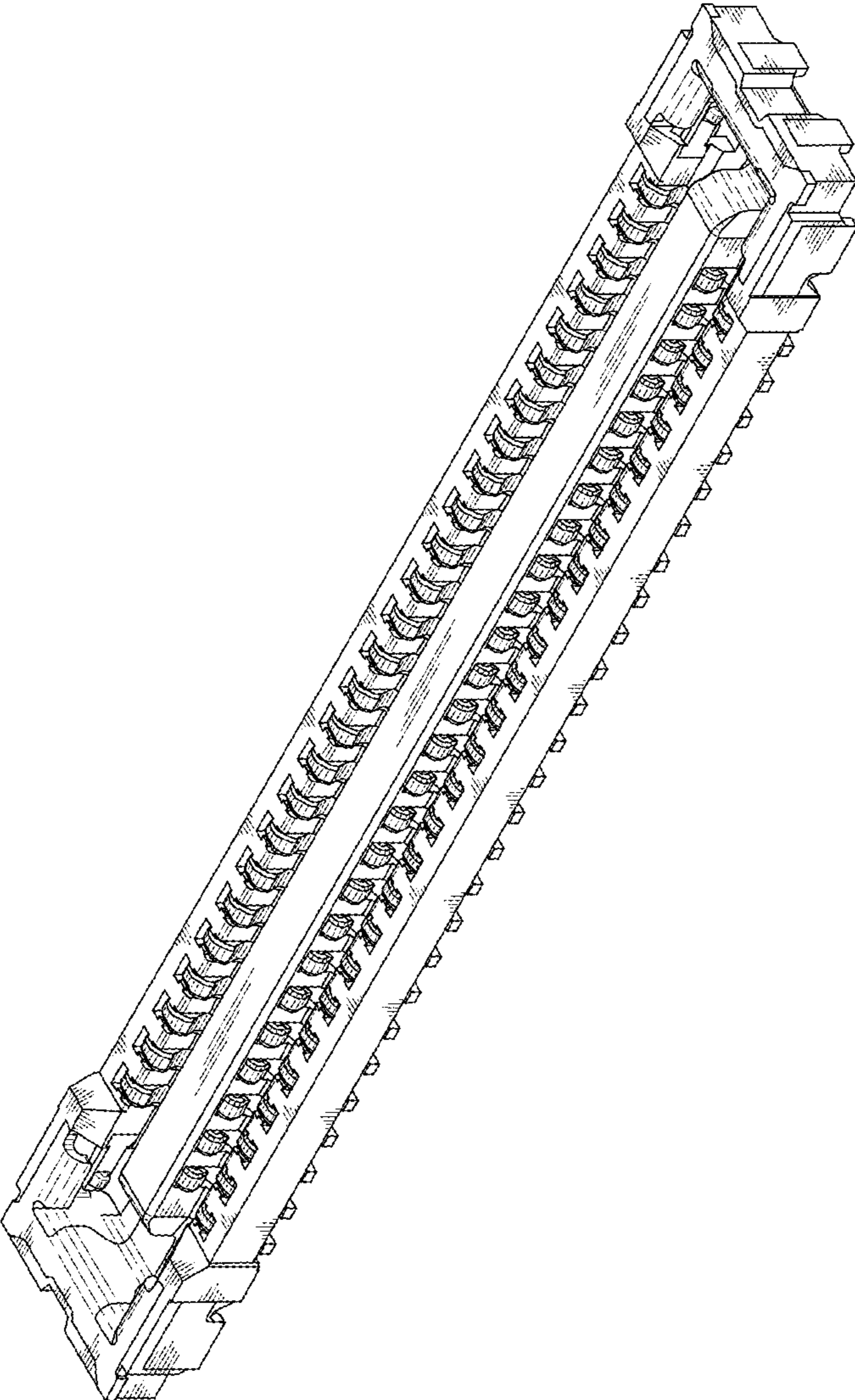


FIG.7

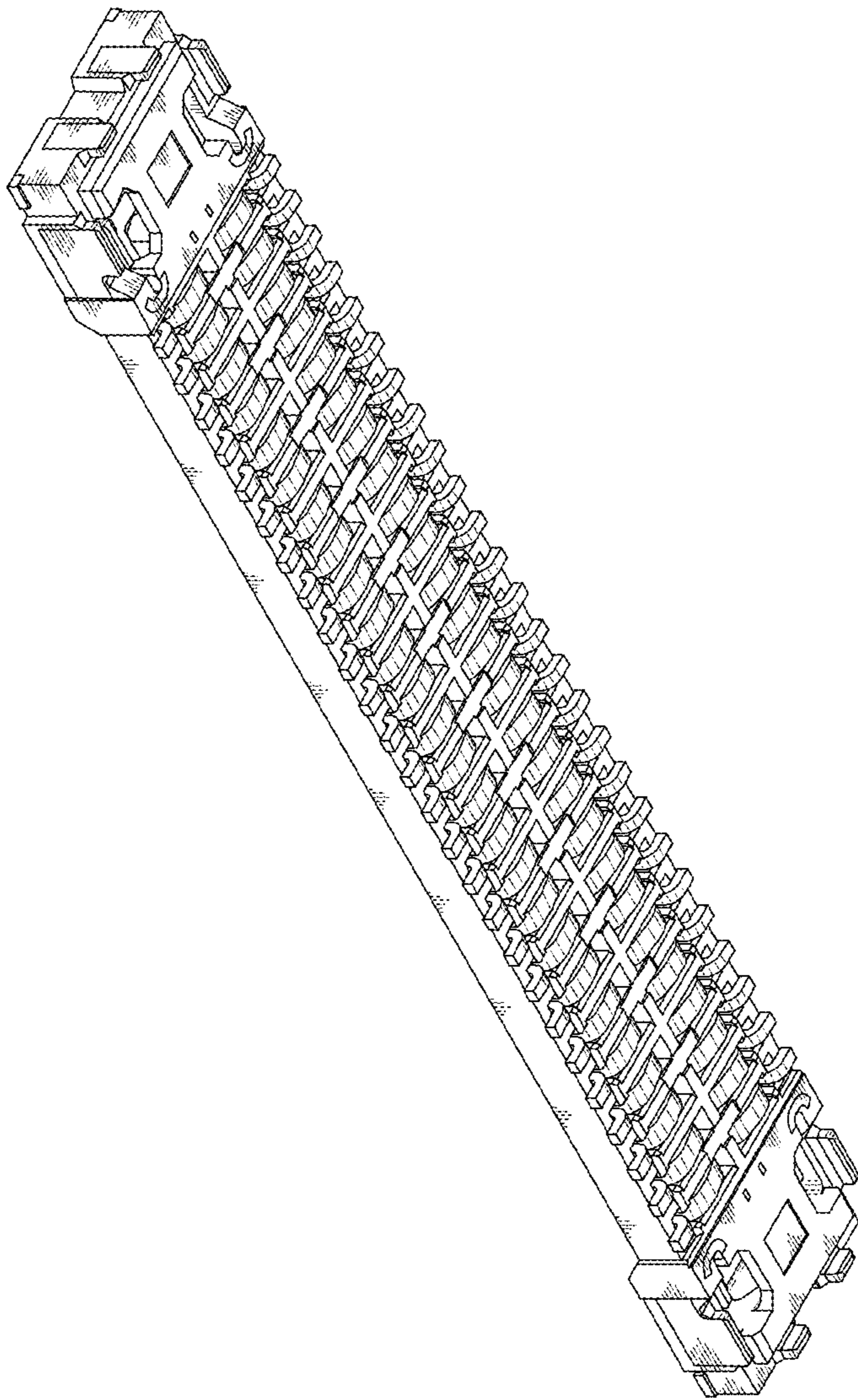


FIG.8

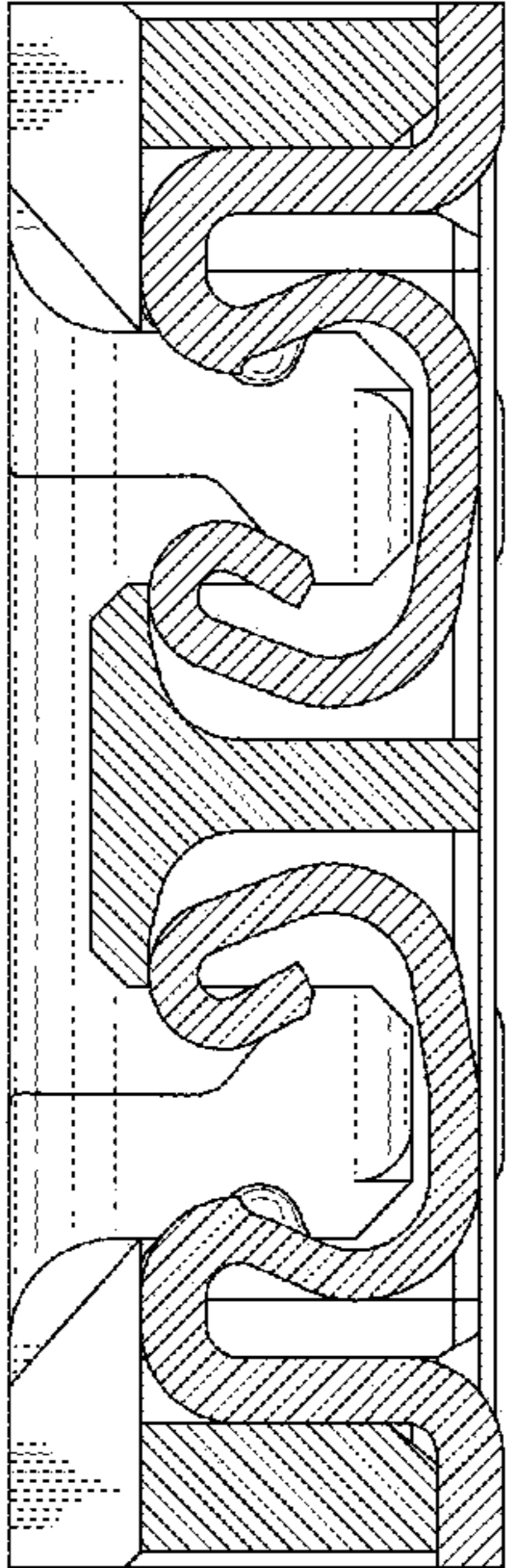


FIG.9