



US00D816041S

(12) **United States Design Patent**
Fitzgerald et al.

(10) **Patent No.:** **US D816,041 S**
(45) **Date of Patent:** **** Apr. 24, 2018**

(54) **AUTOMOTIVE SWITCH ELECTRICAL CONNECTOR WITH LATCHING FEATURE**

(71) Applicant: **Eaton Corporation**, Cleveland, OH (US)

(72) Inventors: **Richard William Fitzgerald**, Franklin, WI (US); **Davin Robert Lee**, Watertown, WI (US)

(73) Assignee: **Eaton Corporation**, Cleveland, OH (US)

(**) Term: **15 Years**

(21) Appl. No.: **29/559,852**

(22) Filed: **Mar. 31, 2016**

(51) **LOC (11) Cl.** **13-03**

(52) **U.S. Cl.**
USPC **D13/147**

(58) **Field of Classification Search**
USPC D13/133, 146, 147, 154, 184, 199
CPC H01R 13/00; H01R 13/52; H01R 13/627;
H01R 13/639; H01R 13/641
See application file for complete search history.

(56) **References Cited**

U.S. PATENT DOCUMENTS

3,179,738 A *	4/1965	De Lyon	H01R 13/50 174/138 F
D559,182 S *	1/2008	Rector, III	D13/133
D672,314 S *	12/2012	Miyoshi	D13/147
D672,316 S *	12/2012	Miyoshi	D13/147
D748,588 S *	2/2016	Endo	D13/147
D787,447 S *	5/2017	Hayashi	D13/147

OTHER PUBLICATIONS

4-22 Pos. Junior Power Timer-Housing, TE Connectivity, Aug. 28, 1995; <http://www.te.com/usa-en/product-929504-2.html>.
AMP MCP 2.8 Housing, TE Connectivity, Jan. 19, 1998; <http://www.te.com/usa-en/product-5-968973-1.html>.

* cited by examiner

Primary Examiner — Daniel Bui

(74) *Attorney, Agent, or Firm* — Ziolkowski Patent Solutions Group, SC

(57) **CLAIM**

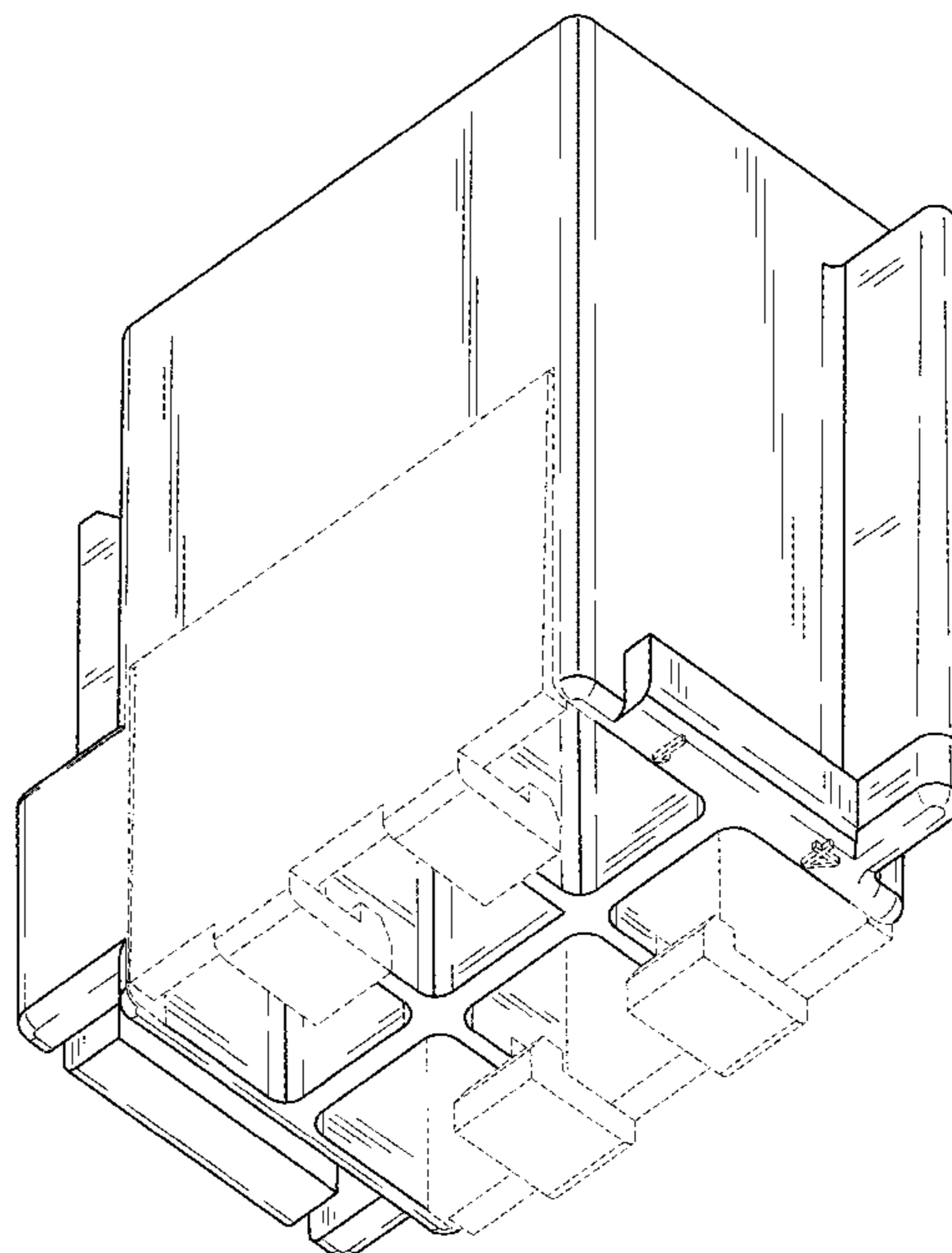
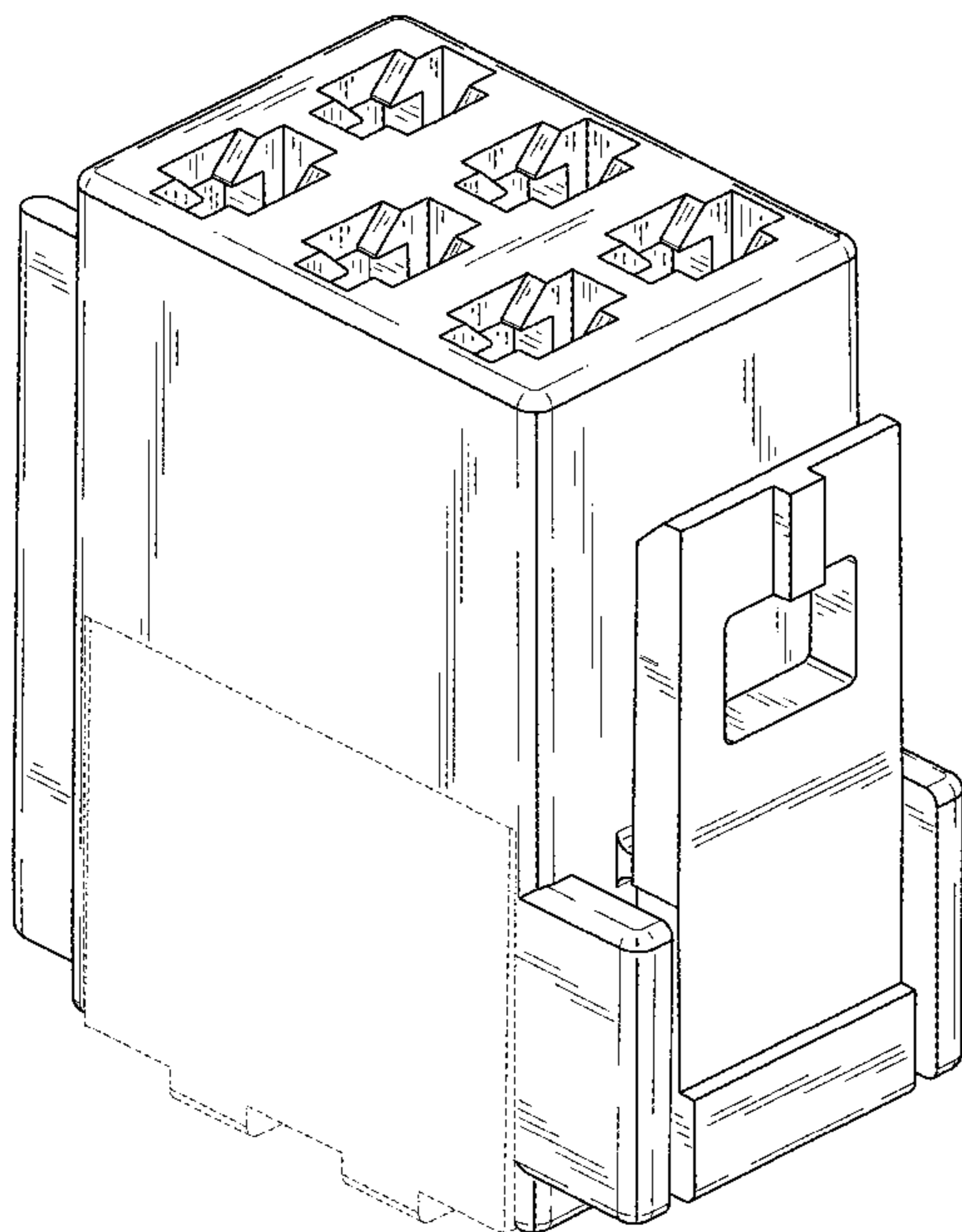
The ornamental design for an automotive switch electrical connector with latching feature, as shown and described herein.

DESCRIPTION

FIG. 1 is a front, top and right side perspective view of an automotive switch electrical connector with latching feature showing our new design;
FIG. 2 is a back, bottom and left side perspective view thereof;
FIG. 3 is a left side elevational view thereof;
FIG. 4 is a right side elevational view thereof;
FIG. 5 is a front elevational view thereof;
FIG. 6 is a back elevational view thereof;
FIG. 7 is a top plan view thereof;
FIG. 8 is a bottom plan view thereof; and,
FIG. 9 is a back, bottom and left side perspective view thereof, in use condition.

The broken lines in the drawing views are included for the purpose of illustrating portions of the automotive switch electrical connector with latching feature that form no part of the claimed design.

1 Claim, 7 Drawing Sheets



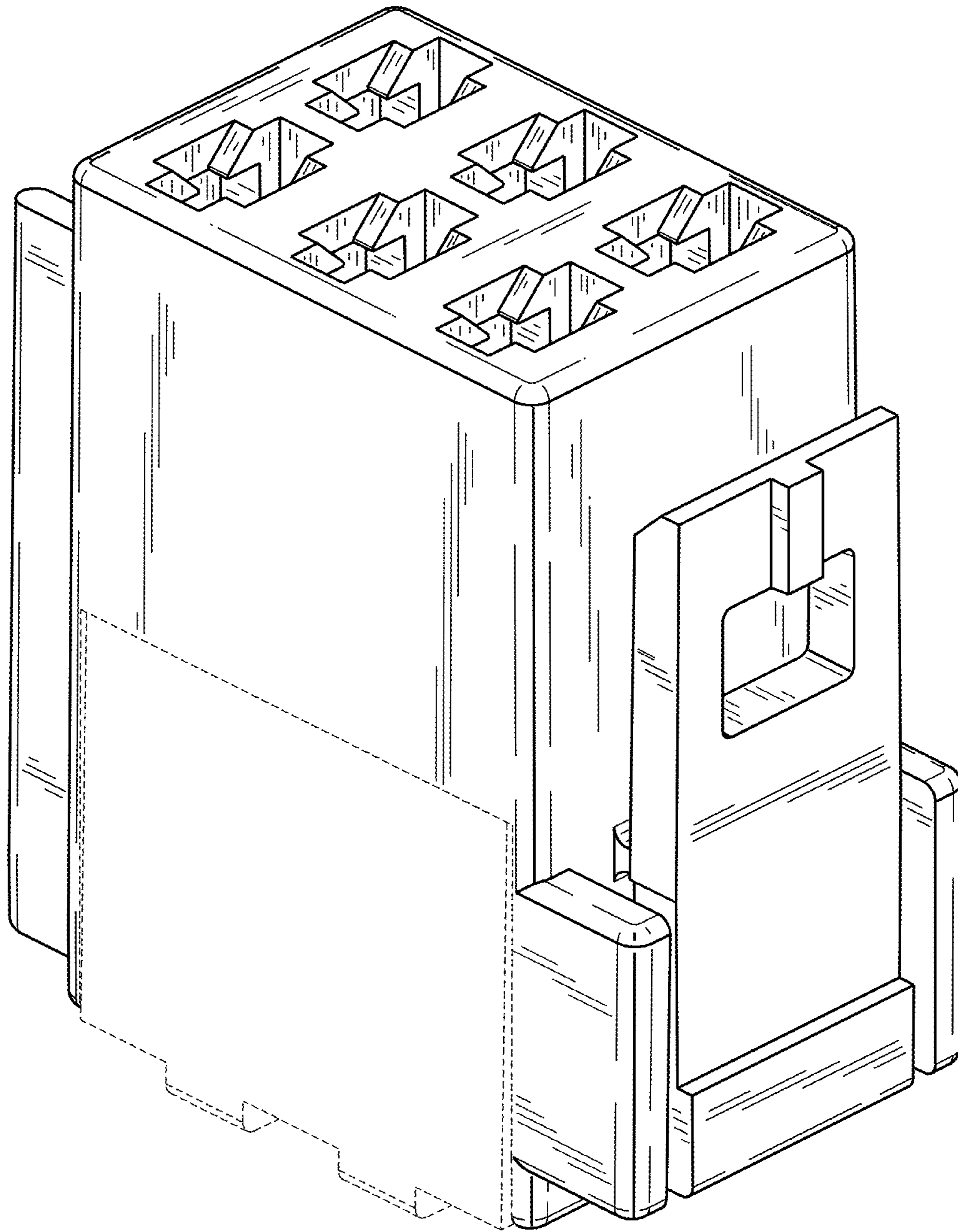


FIG. 1

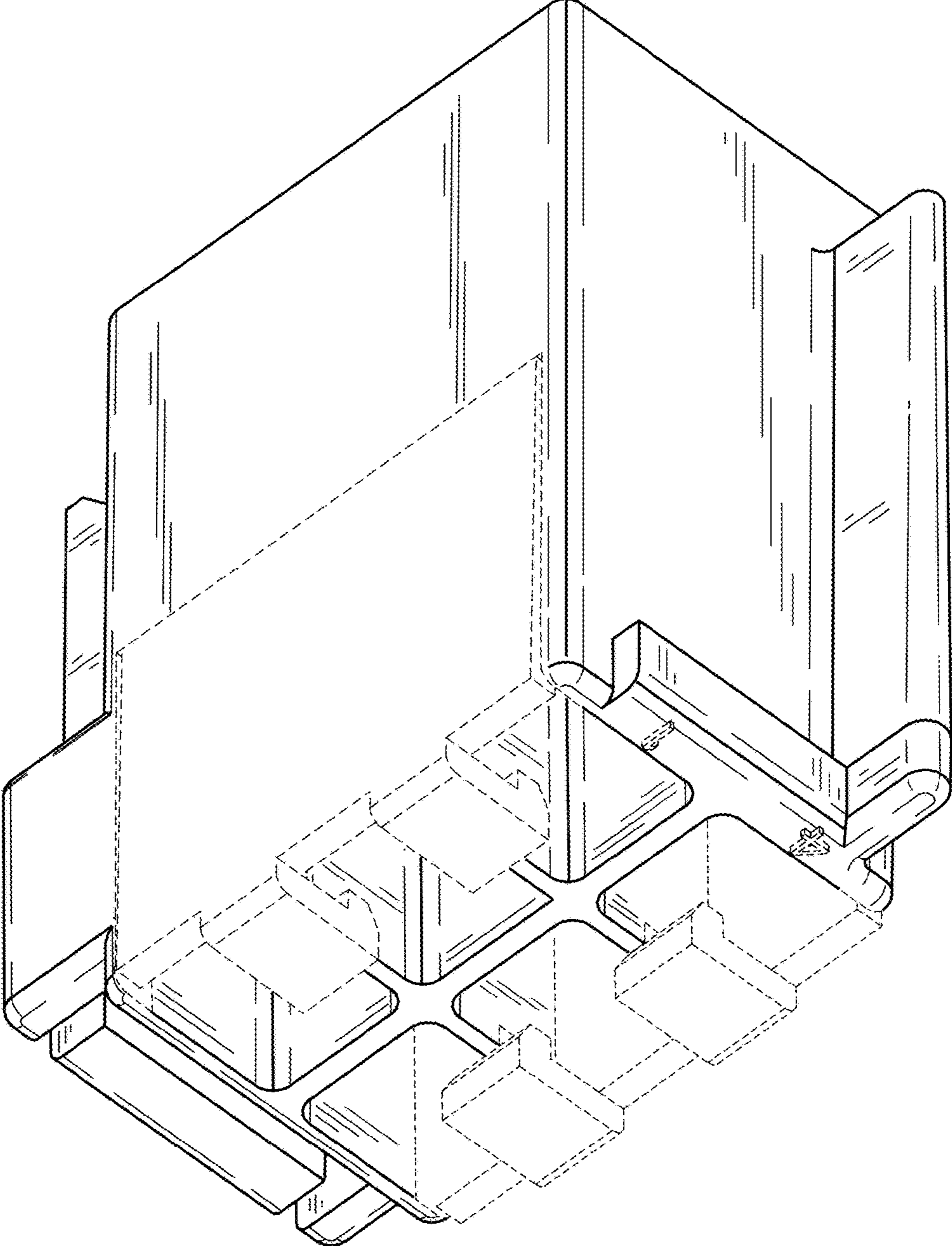


FIG. 2

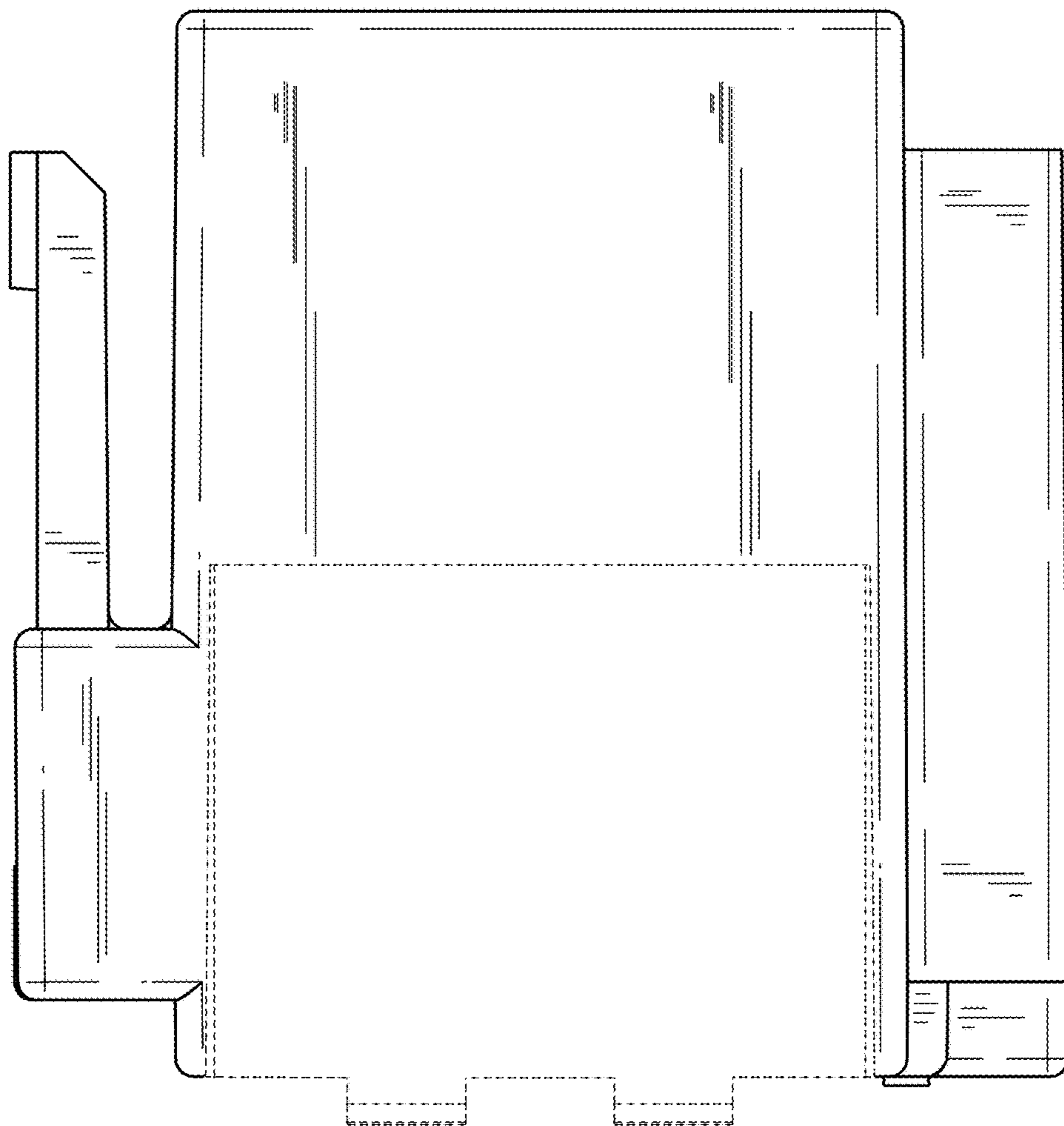


FIG. 3

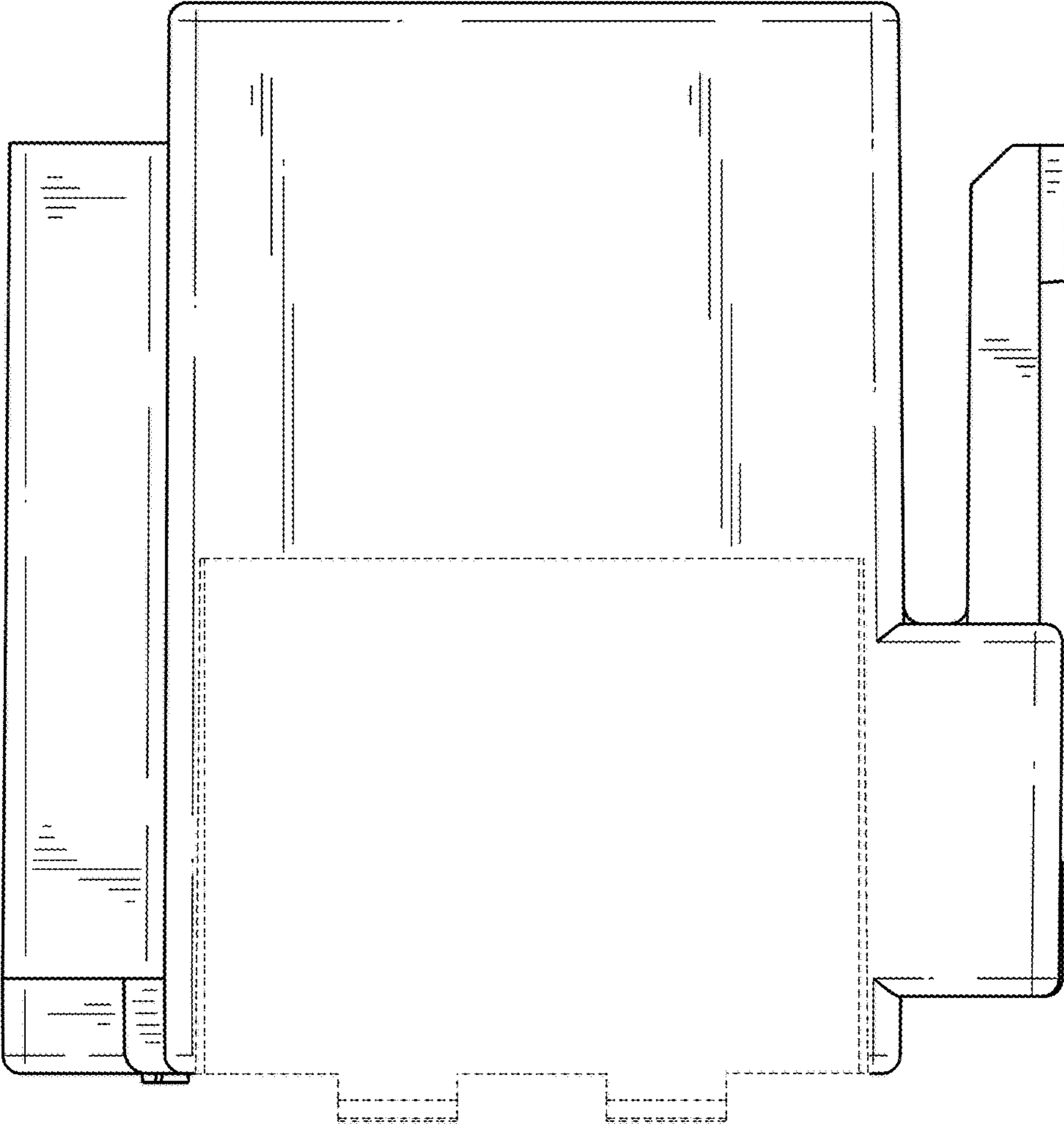


FIG. 4

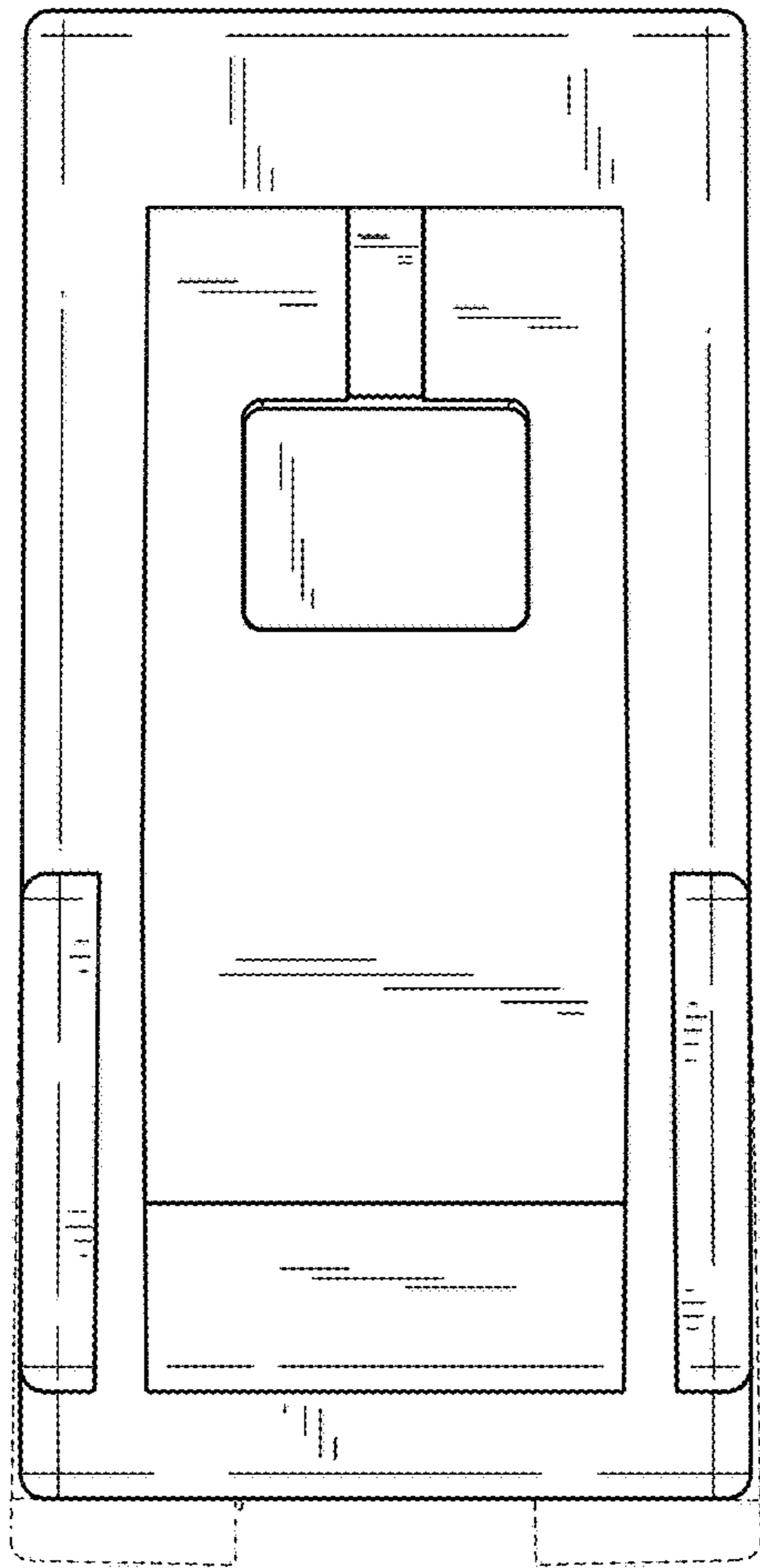


FIG. 5

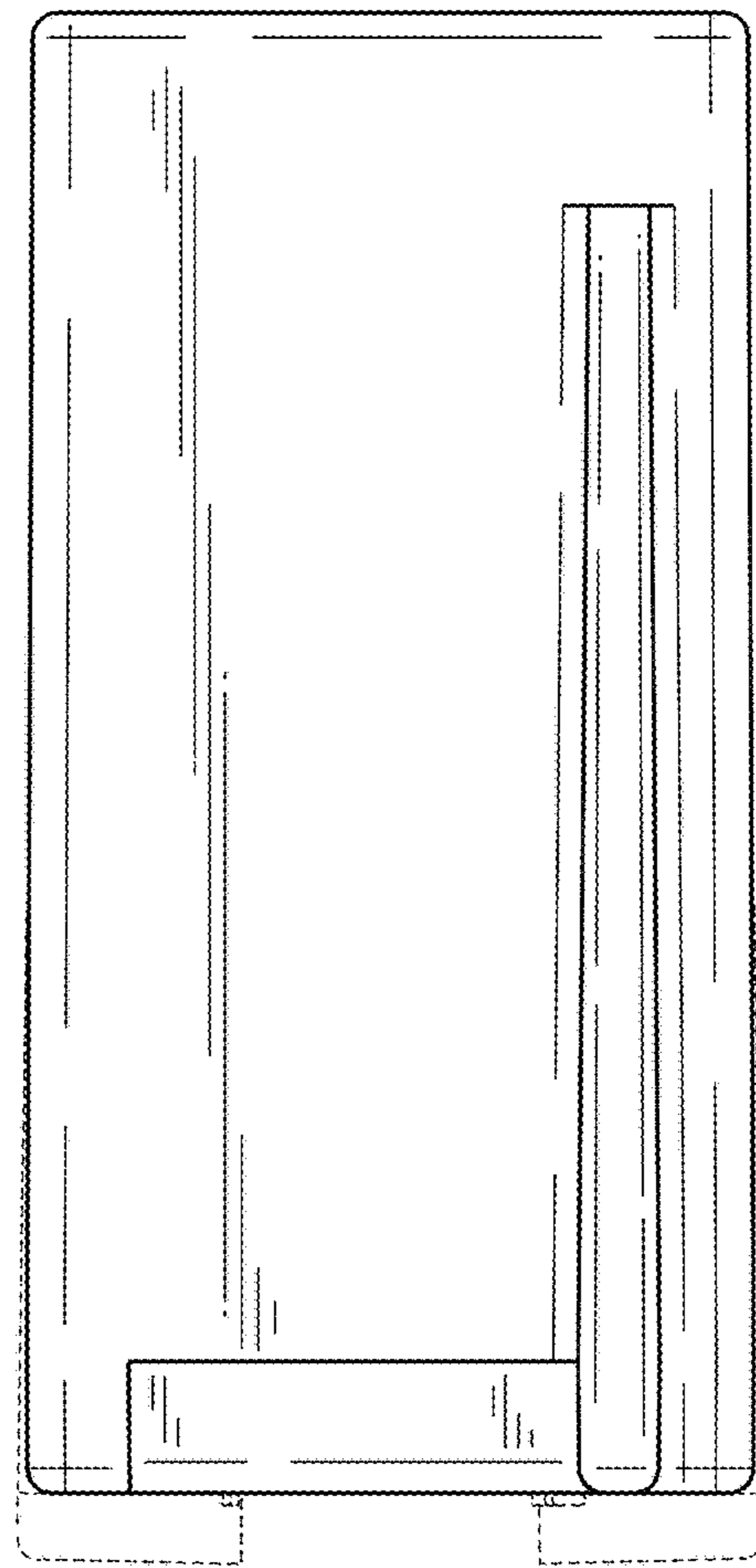


FIG. 6

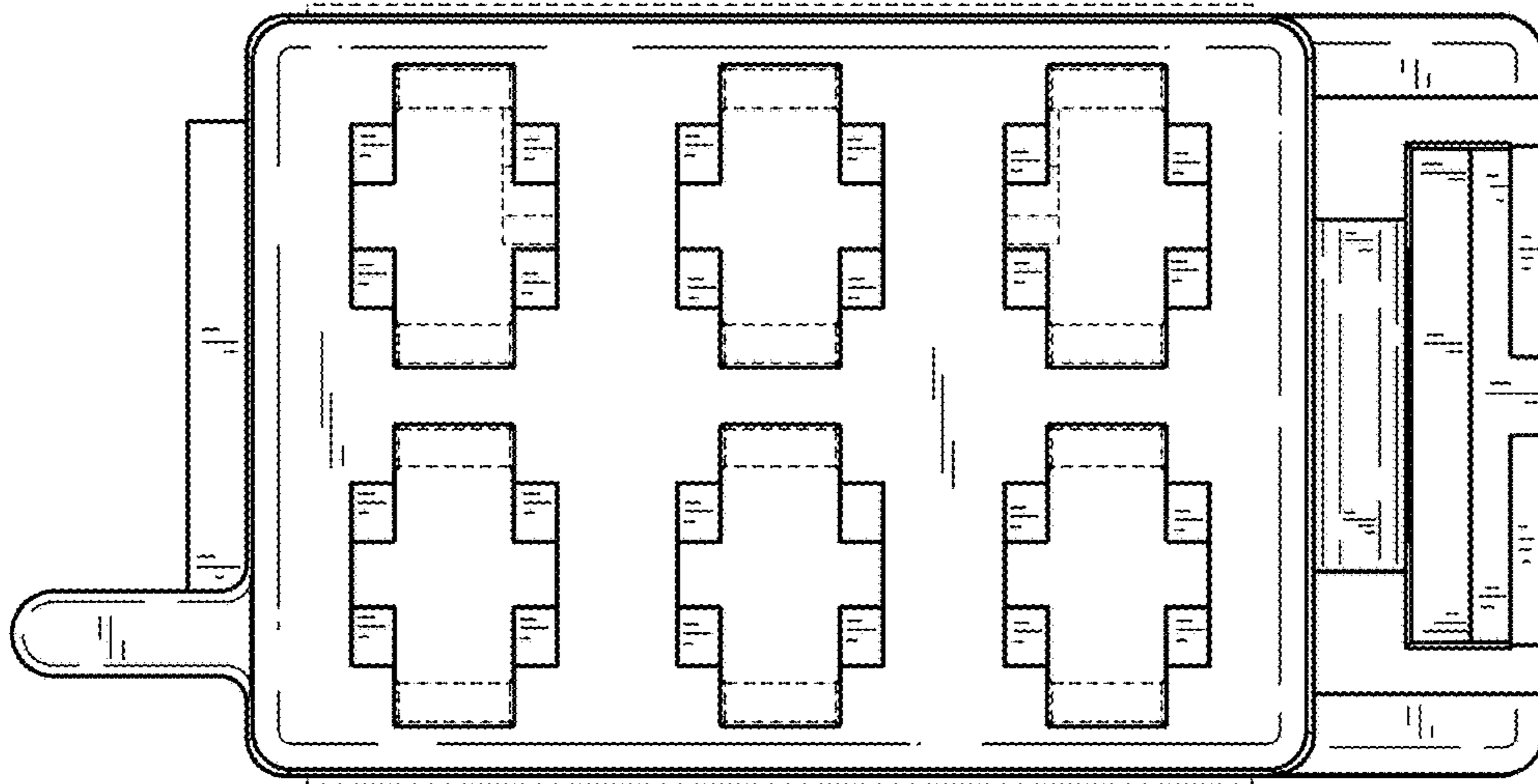


FIG. 7

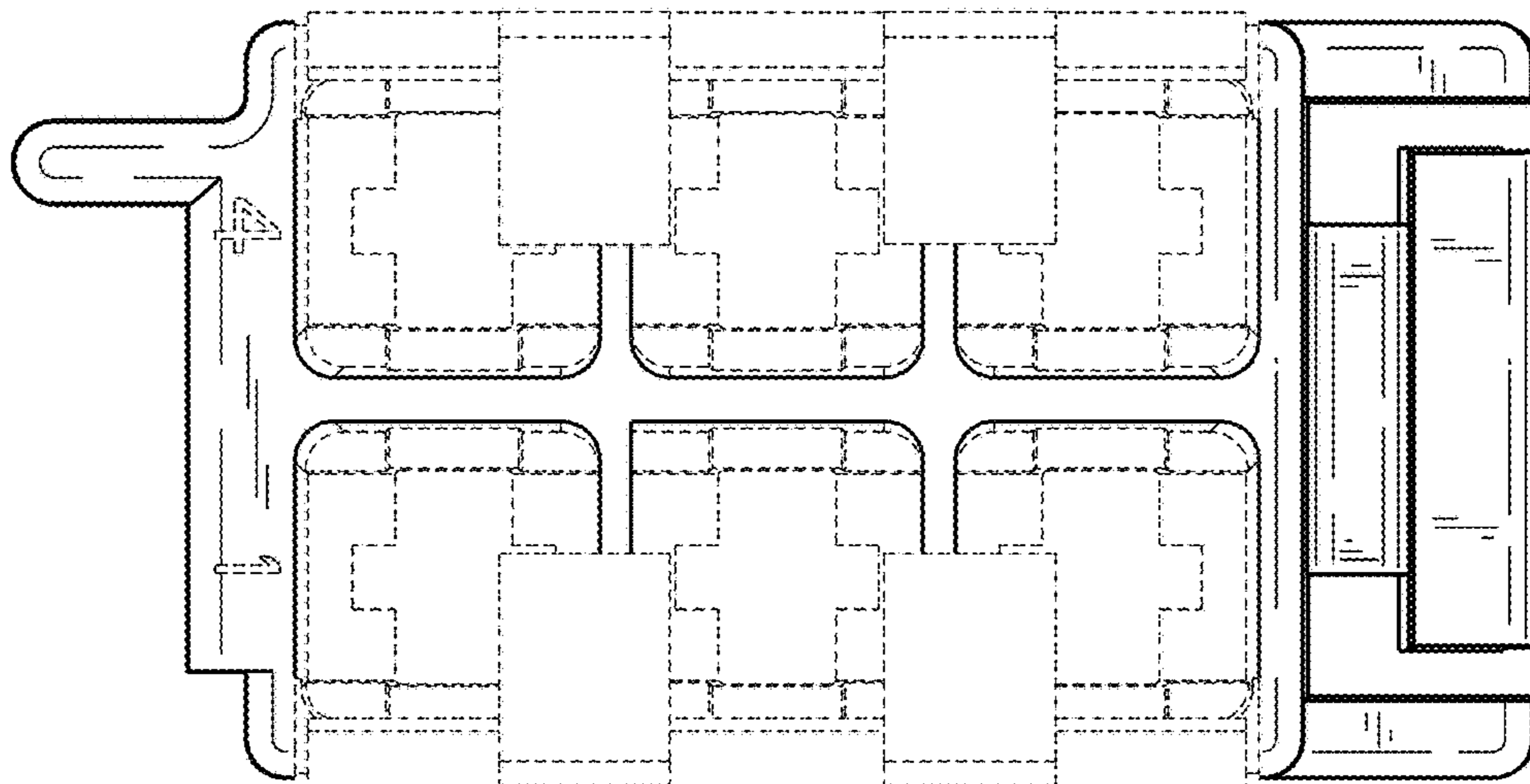


FIG. 8

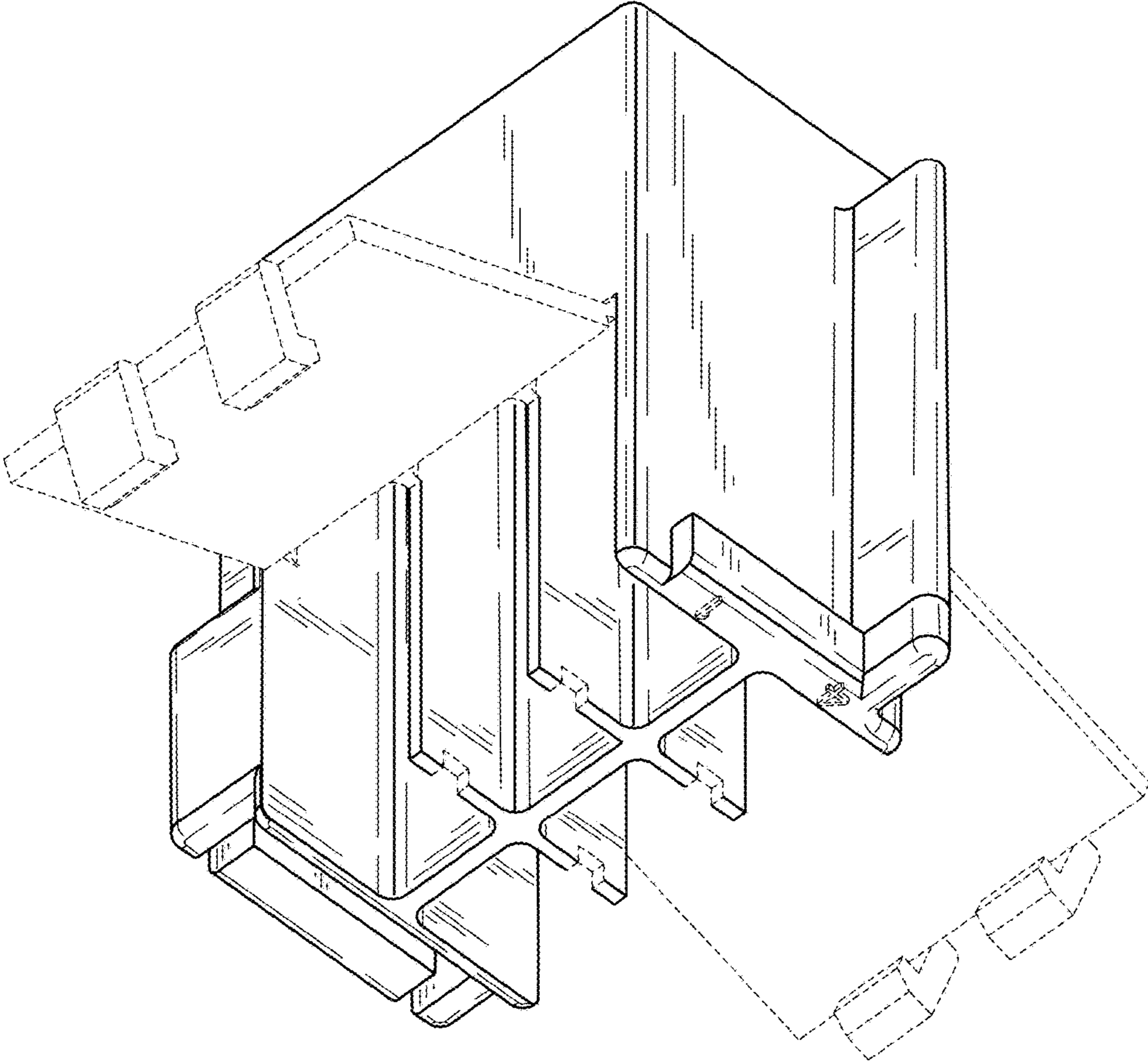


FIG. 9