



US00D816040S

(12) **United States Design Patent**
Corona

(10) **Patent No.:** **US D816,040 S**

(45) **Date of Patent:** **** Apr. 24, 2018**

- (54) **MALE ELECTRICAL CONNECTOR WITH LOCKING TAB**
- (71) Applicant: **DSM&T Company, Inc.**, Fontana, CA (US)
- (72) Inventor: **Sergio Corona**, Upland, CA (US)
- (73) Assignee: **DSM&T Company, Inc.**, Fontana, CA (US)

- 5,201,669 A 4/1993 Lin
- 5,285,163 A 2/1994 Liotta
- 5,401,181 A 3/1995 Wilson
- D360,187 S 7/1995 Starec et al.
- D360,871 S 8/1995 Wilson
- D360,872 S 8/1995 Wilson
- 5,460,545 A 10/1995 Siemon et al.
- D393,831 S 4/1998 Siemon et al.
- D416,230 S 11/1999 Narumo et al.
- D425,028 S 5/2000 Lee
- D434,377 S 11/2000 Bussett et al.

(Continued)

(**) Term: **15 Years**

Primary Examiner — Cathron C Brooks

Assistant Examiner — Shawn T Gingrich

(21) Appl. No.: **29/598,101**

(74) *Attorney, Agent, or Firm* — Keusey & Associates, P.C.

(22) Filed: **Mar. 23, 2017**

(51) **LOC (11) Cl.** **13-03**

(52) **U.S. Cl.**
USPC **D13/146**; D13/149

(58) **Field of Classification Search**
USPC D13/107, 110, 112, 118, 123, 133,
D13/145–147, 149, 151, 154, 156, 173,
D13/184, 199
CPC H01R 13/00; H01R 13/40; H01R 13/50;
H01R 13/52; H01R 13/62; H01R 13/64;
H01R 13/405; H01R 13/58; H01R 13/63;
H01R 13/639; H01R 13/659; H01R
13/70; H01R 24/64

See application file for complete search history.

(56) **References Cited**

U.S. PATENT DOCUMENTS

- D86,515 S 3/1932 Cox
- 2,046,221 A * 6/1936 Thomas H01R 13/625
337/187
- D188,419 S 7/1960 Danesi
- 4,606,596 A 8/1986 Whiting et al.
- D286,397 S 10/1986 Challans
- 4,704,091 A 11/1987 Owens et al.
- D328,281 S * 7/1992 Nociar D13/146

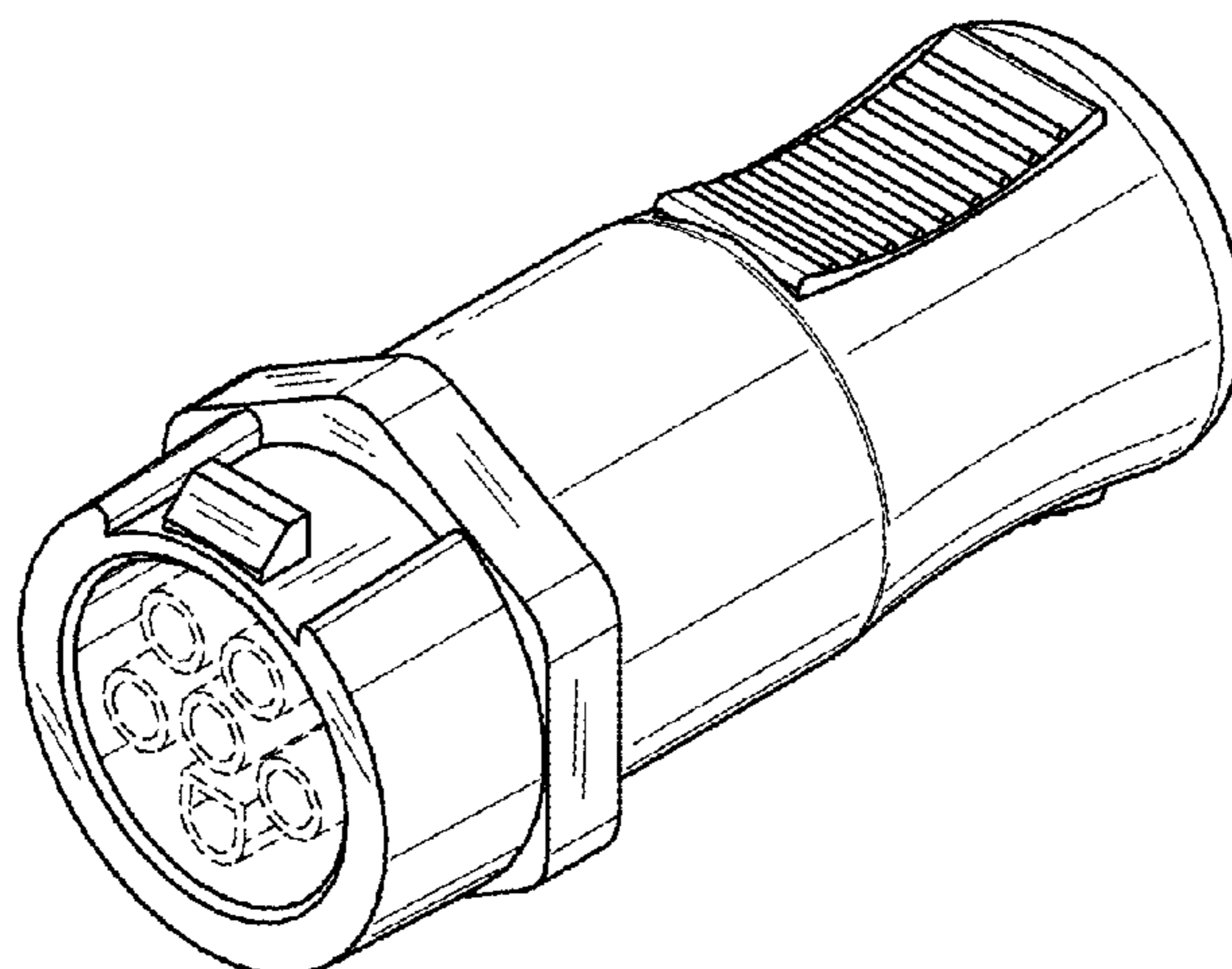
(57) **CLAIM**

The ornamental design for a male electrical connector with locking tab, as shown and described.

DESCRIPTION

FIG. 1 is a top, front, right side perspective view of my new design of a male electrical connector with locking tab.
 FIG. 2 is a right side elevational view thereof.
 FIG. 3 is a left side elevational view thereof.
 FIG. 4 is a top plan view thereof.
 FIG. 5 is a bottom plan view thereof.
 FIG. 6 is a front side elevational view thereof.
 FIG. 7 is a rear side elevational view thereof.
 FIG. 8 is a top, front, left side exploded perspective view thereof.
 FIG. 9 is a right side exploded view thereof, the left side exploded view being a mirror image thereof.
 FIG. 10 is a top plan exploded view thereof; and,
 FIG. 11 is a bottom plan exploded view thereof.
 The broken lines in FIGS. 1, 6, 7 and 8 represent unclaimed environment only and form no part of the claimed design.

1 Claim, 4 Drawing Sheets



(56)

References Cited

U.S. PATENT DOCUMENTS

D437,828 S	2/2001	Corona	
D439,221 S	3/2001	Corona	
D444,128 S	6/2001	Tan et al.	
D445,763 S	7/2001	Corona	
D446,186 S	8/2001	Corona	
6,379,169 B1	4/2002	Corona	
6,383,003 B1	5/2002	Corona	
D472,523 S	4/2003	Hansen	
D473,844 S	4/2003	Bender et al.	
D502,919 S	3/2005	Studnick	
D503,150 S	3/2005	Yamawaki et al.	
D514,070 S	1/2006	Bachmann	
D516,028 S	2/2006	Deng	
D521,933 S	5/2006	Wade et al.	
D524,736 S	7/2006	Morita et al.	
D524,737 S	7/2006	Lai et al.	
D529,441 S *	10/2006	LaPere	D13/133
D529,865 S *	10/2006	LaPere	D13/133
D535,618 S	1/2007	Hu et al.	
D555,594 S	11/2007	So	
D559,785 S *	1/2008	Tosetti	A61C 1/18 D13/133
D560,610 S	1/2008	McCoy	
D571,727 S	6/2008	Yang et al.	
7,390,210 B2	6/2008	Corona	
D573,536 S	7/2008	Hariharesan et al.	
D577,671 S	9/2008	Schnitzler	
D586,750 S	2/2009	Li	
D596,125 S	7/2009	Norin et al.	
D604,697 S	11/2009	Sogo et al.	
D606,944 S	12/2009	Mehnert et al.	
D613,246 S	4/2010	Muecke et al.	
D615,042 S	5/2010	Morgan et al.	
7,722,397 B2	5/2010	Schleith	
D616,821 S	6/2010	The	
7,785,123 B2	8/2010	Corona	
RE42,230 E	3/2011	Norin et al.	
D637,159 S	5/2011	Hu	
D639,243 S	6/2011	Gharib et al.	
D639,250 S	6/2011	Svelnis et al.	
D639,743 S	6/2011	Smith et al.	
D643,815 S	8/2011	Mark et al.	
D651,171 S	12/2011	Yamauchi et al.	
D651,172 S	12/2011	Yamauchi et al.	
D670,650 S	11/2012	Ebihara	
D677,629 S	3/2013	Corona	
D678,200 S	3/2013	Corona	
D678,201 S	3/2013	Corona	
D678,202 S	3/2013	Corona	
D678,203 S	3/2013	Corona	
D678,204 S	3/2013	Corona	
D679,662 S	4/2013	Svelnis et al.	
D682,209 S	5/2013	Henrick et al.	
D682,793 S	5/2013	Igelmund	
D692,829 S *	11/2013	Dobler	D13/133
D694,189 S	11/2013	Ledinger et al.	
D697,030 S	1/2014	Ledinger et al.	
D698,730 S	2/2014	Hori et al.	
D704,645 S	5/2014	Nomura et al.	
D705,738 S *	5/2014	Schmidt	D13/146
D707,179 S *	6/2014	Smith	D13/146
D708,142 S	7/2014	Luther et al.	
D715,227 S *	10/2014	Leem	D13/146
D716,732 S	11/2014	Neumann	
D729,169 S	5/2015	Corona	
D733,655 S *	7/2015	Sato	D13/133
D735,671 S	8/2015	Kuhnert	
D737,771 S *	9/2015	Hofmann	D13/133
D748,058 S	1/2016	Corona	
D753,065 S	4/2016	Corona	
D753,600 S	4/2016	Svelnis	
D762,178 S	7/2016	Liu et al.	
D766,183 S	9/2016	Corona	
D766,184 S	9/2016	Corona	
D770,386 S	11/2016	Corona	
D770,981 S	11/2016	Corona	
D774,465 S	12/2016	Corona	
D774,466 S	12/2016	Corona	
D780,123 S *	2/2017	Zetterqvist	D13/146
D793,340 S *	8/2017	Wang	D13/146
2003/0139094 A1	7/2003	Venditti et al.	
2004/0147170 A1	7/2004	Greenwood et al.	
2011/0003512 A1	1/2011	Bower et al.	
2015/0126075 A1	5/2015	Chen et al.	

* cited by examiner

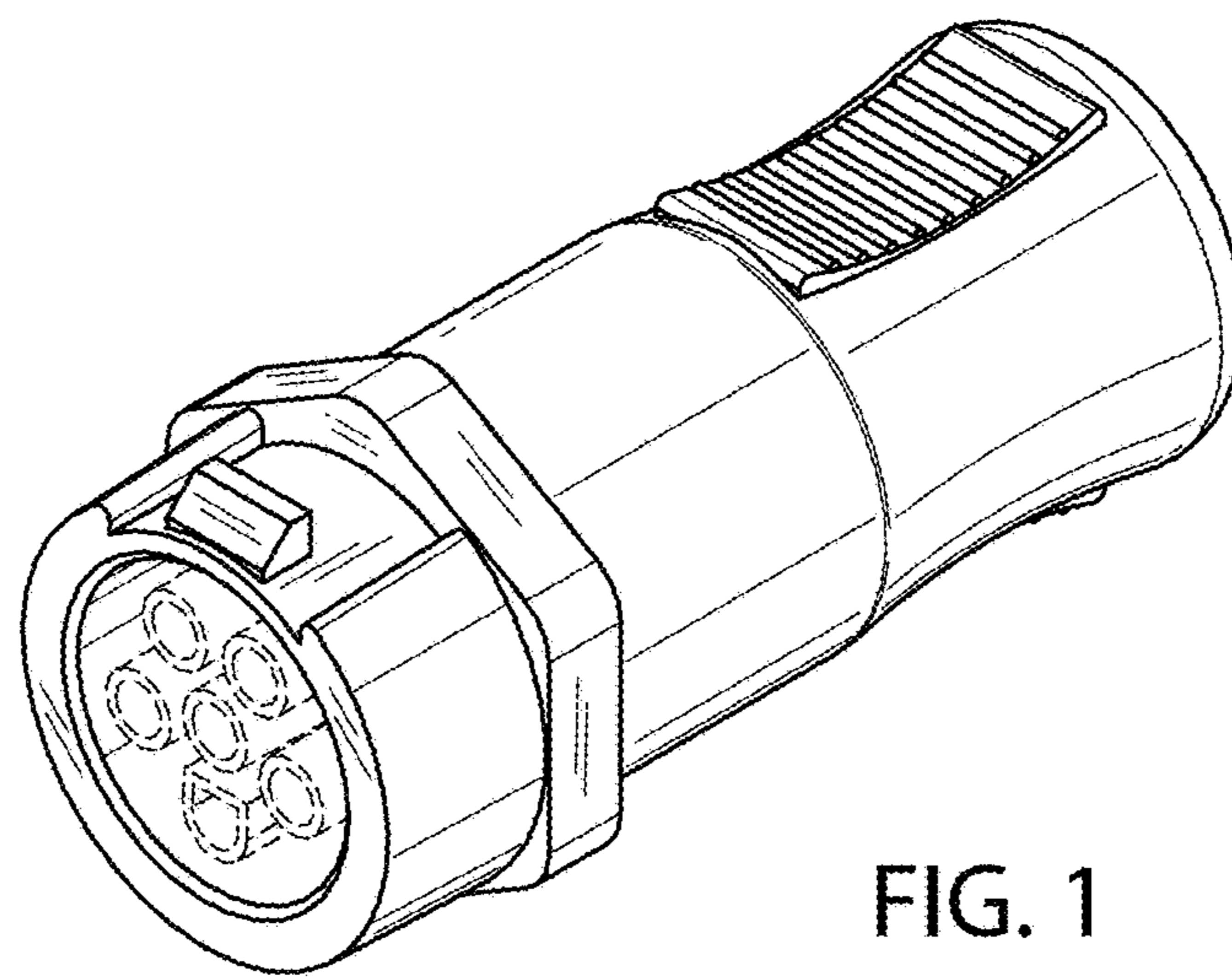


FIG. 1

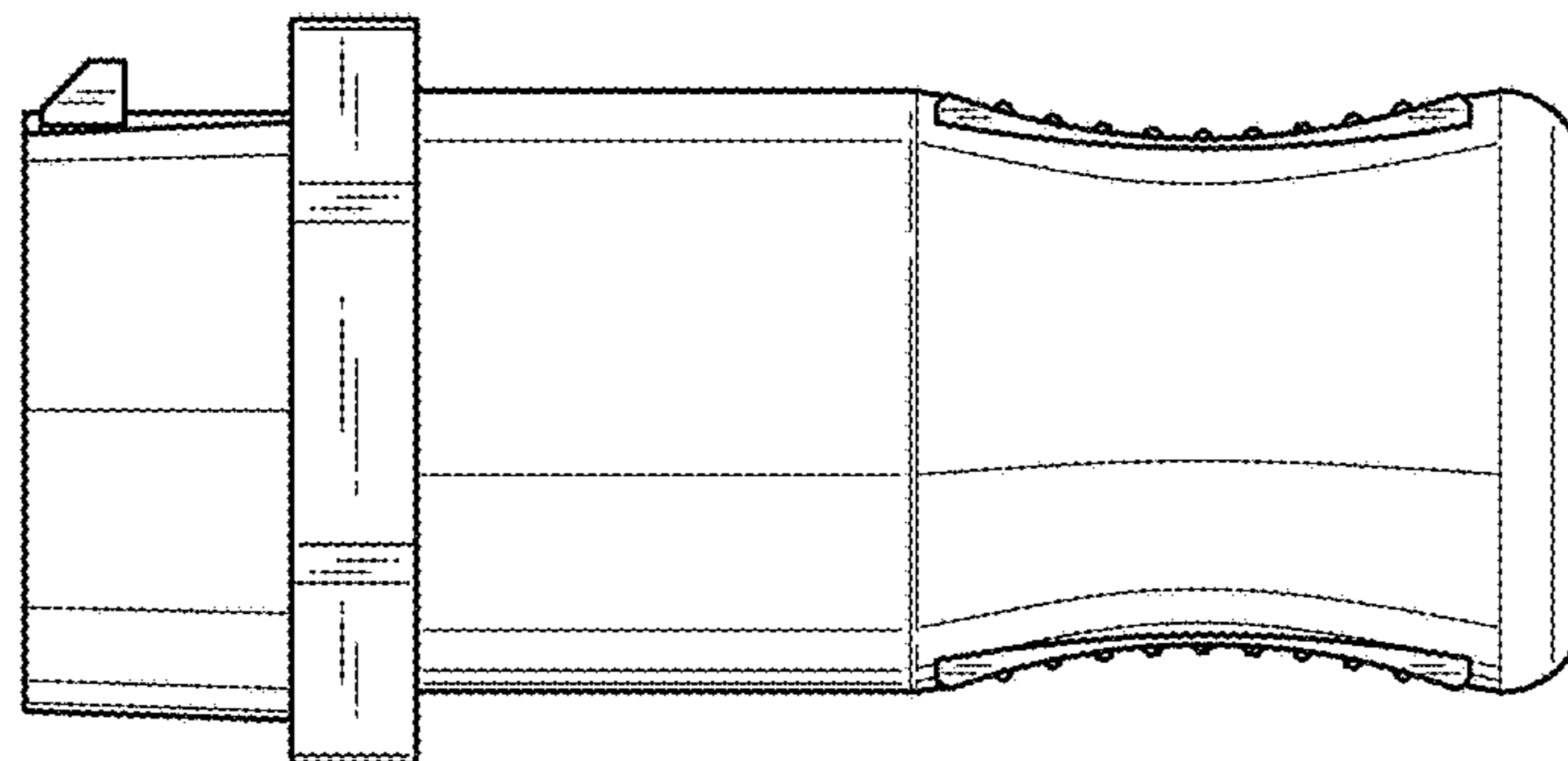


FIG. 2

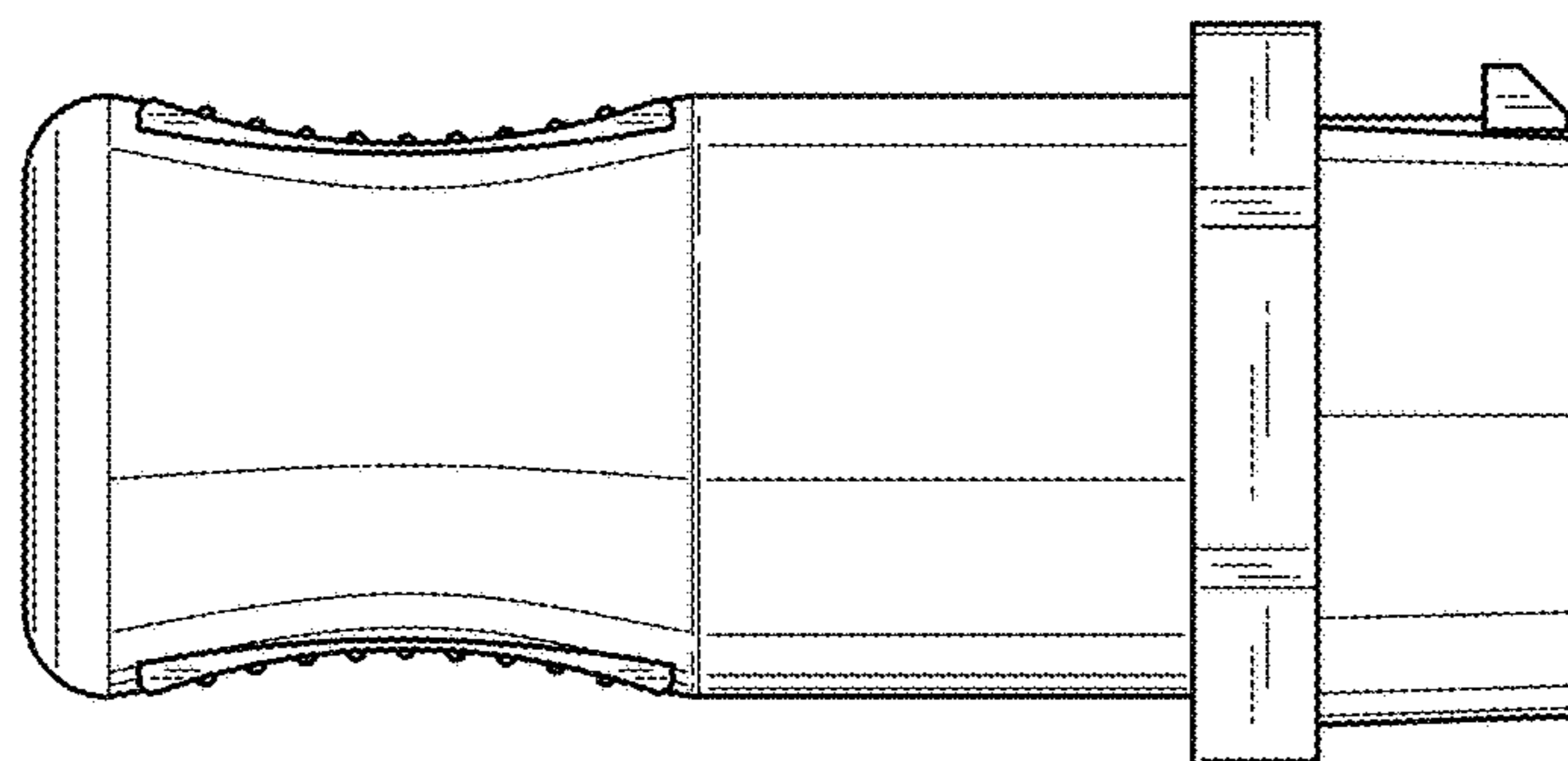


FIG. 3

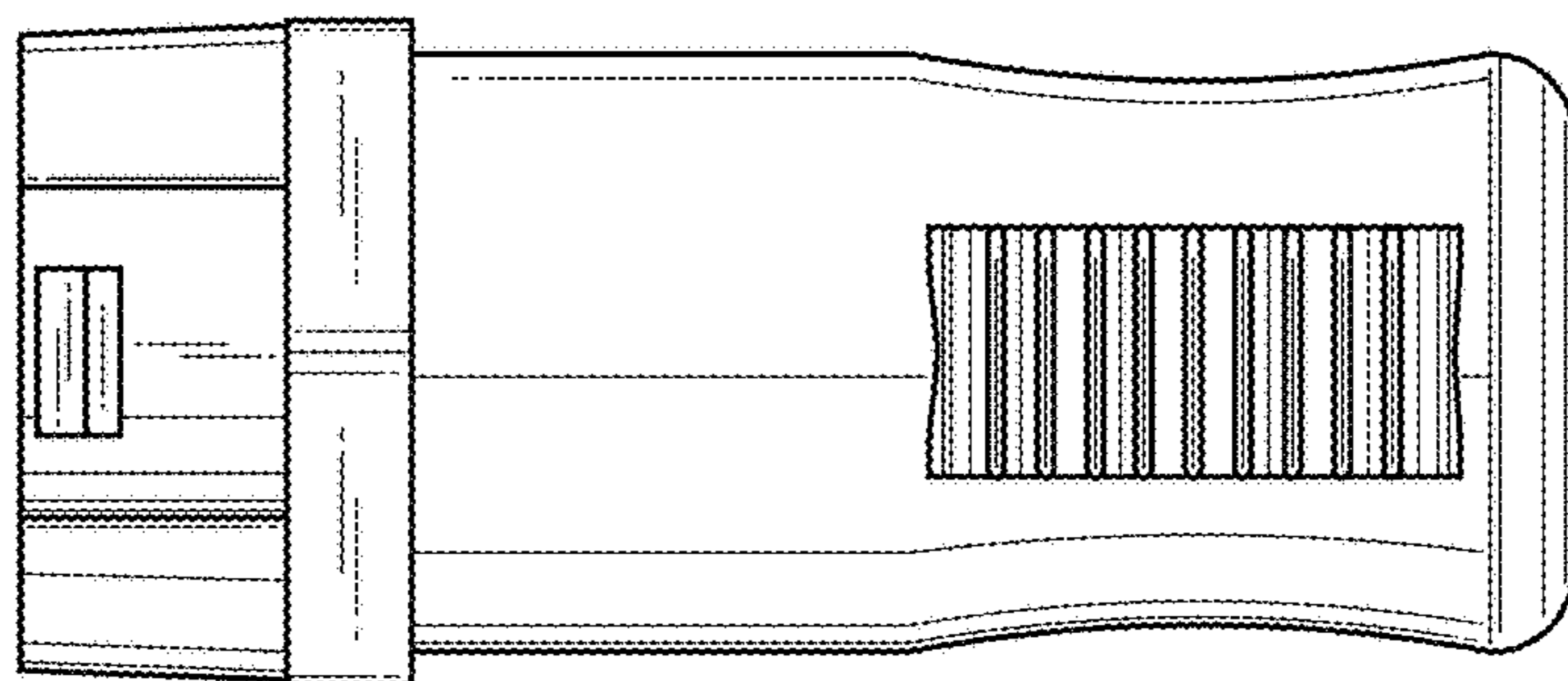


FIG. 4

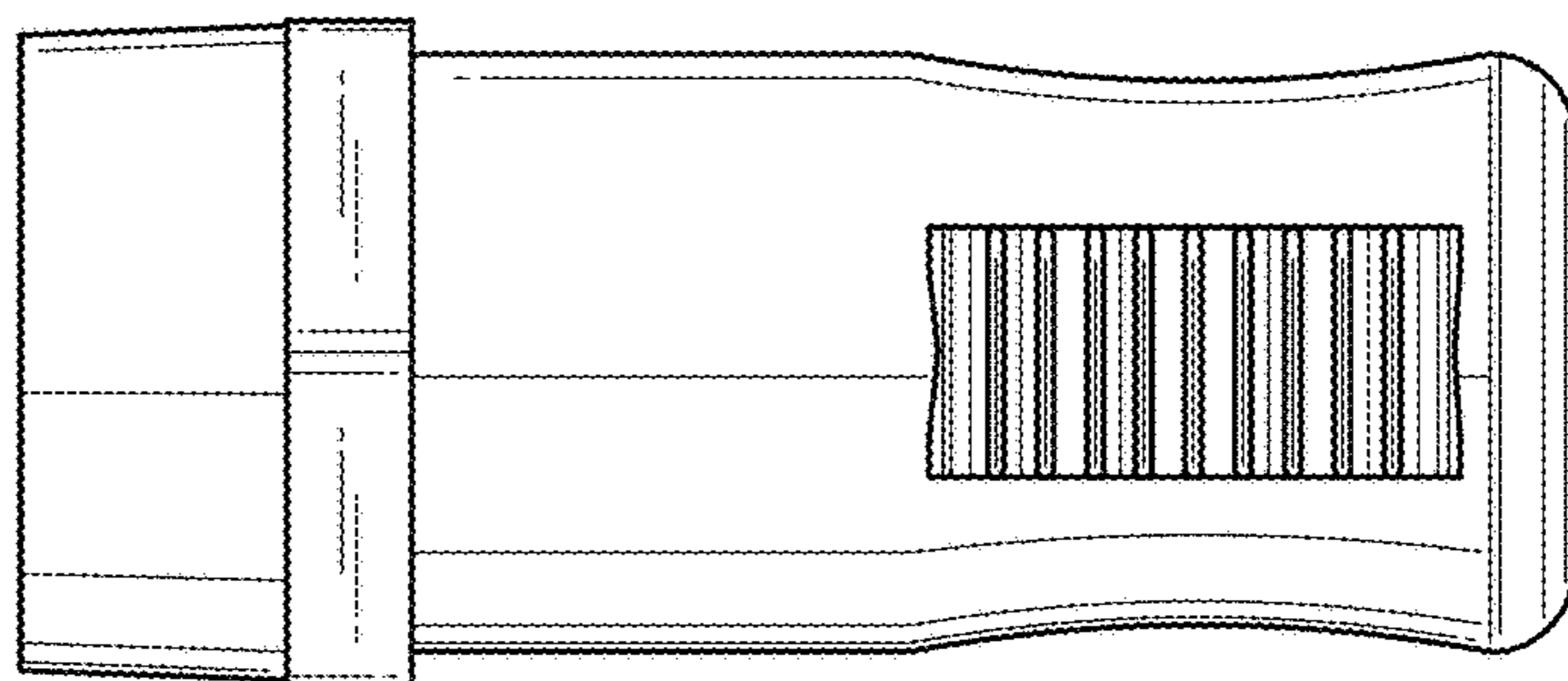


FIG. 5

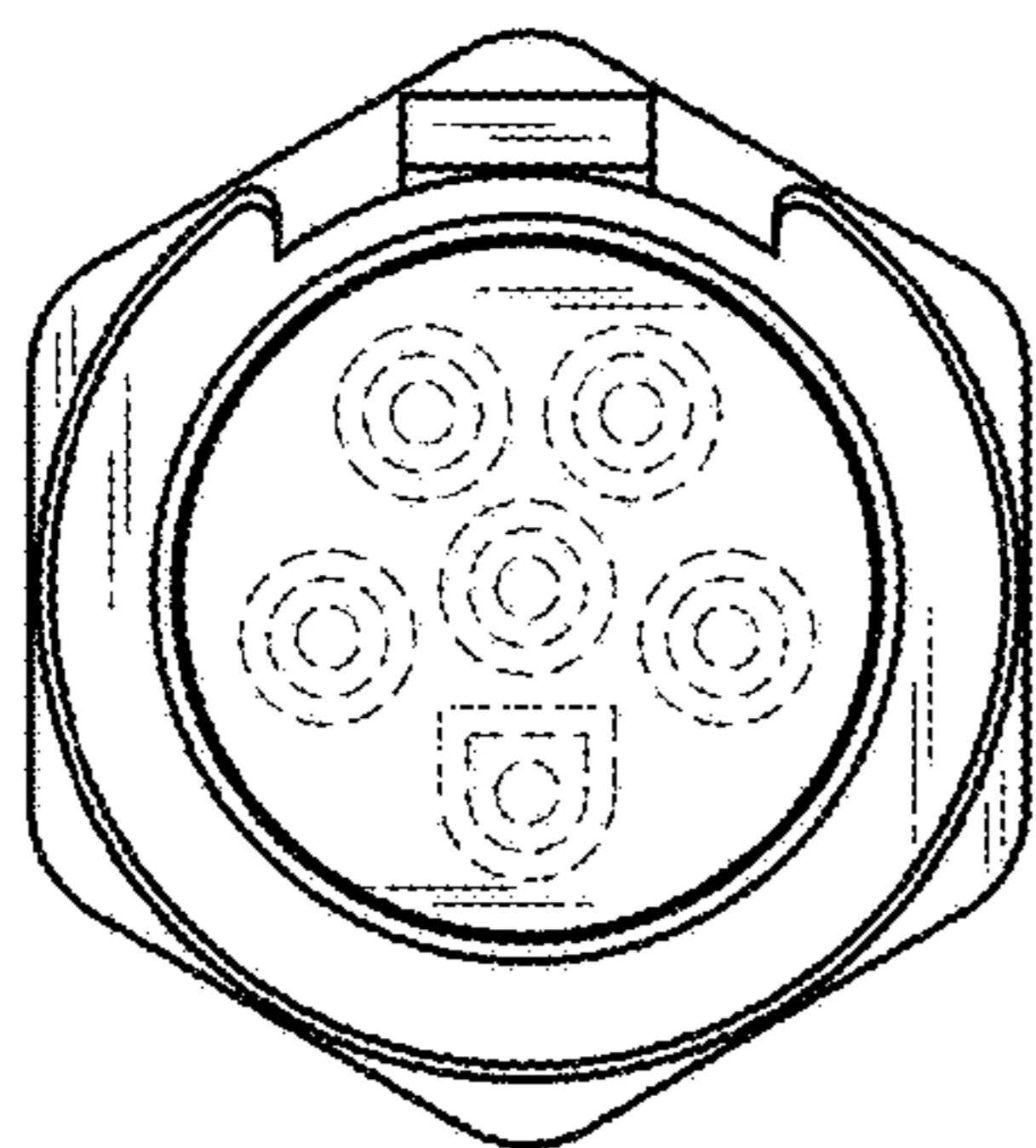


FIG. 6

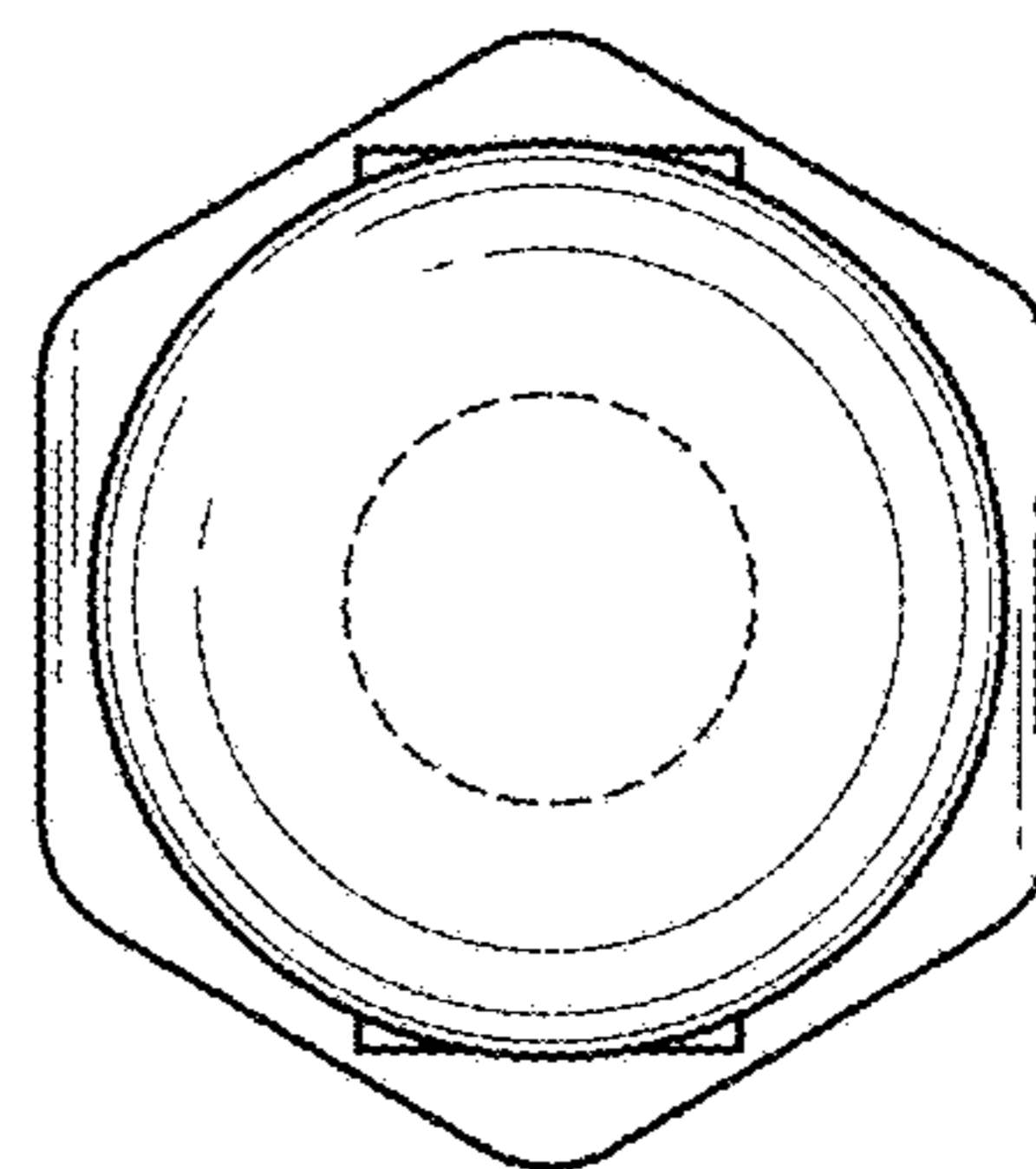


FIG. 7

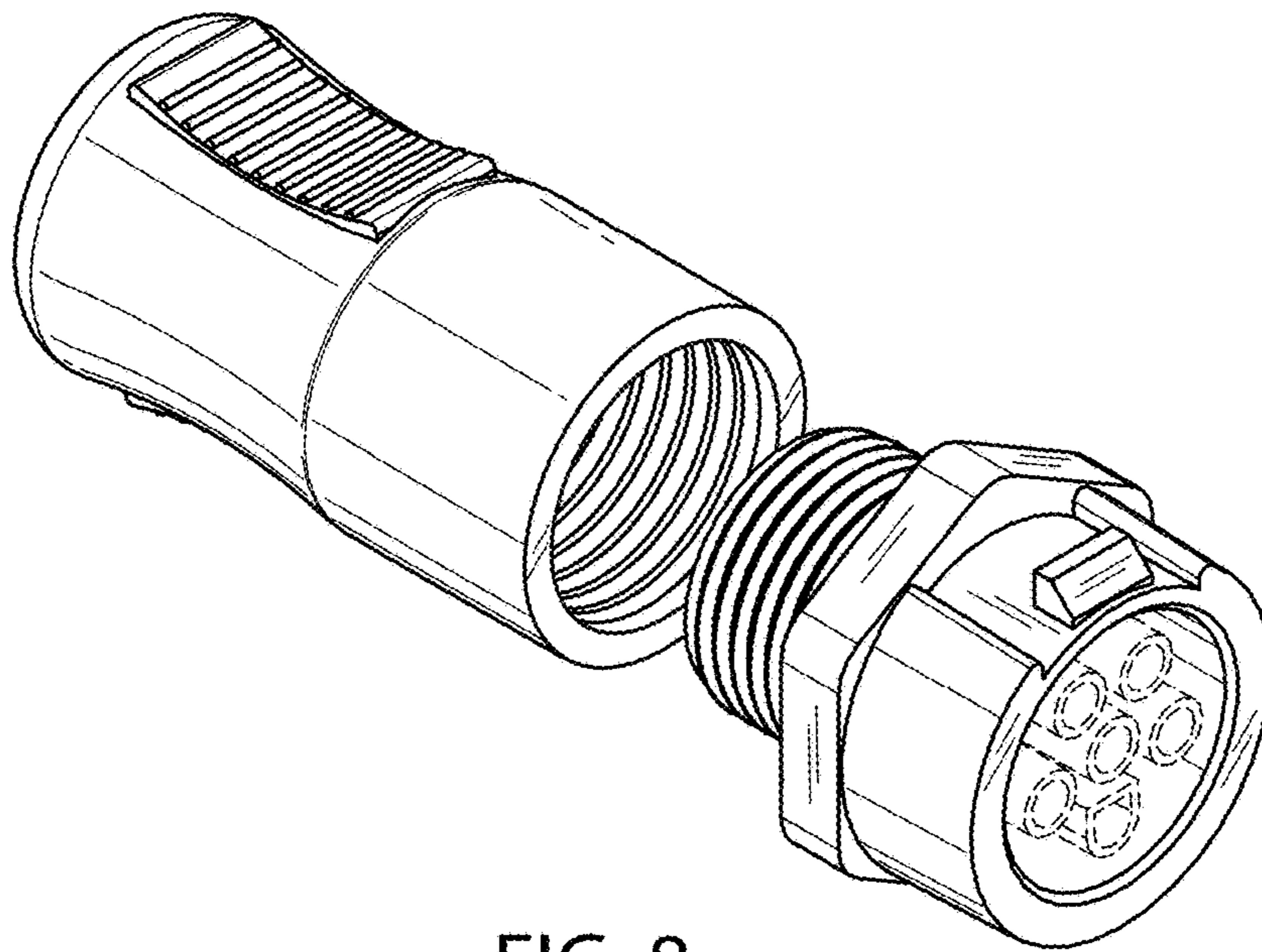


FIG. 8

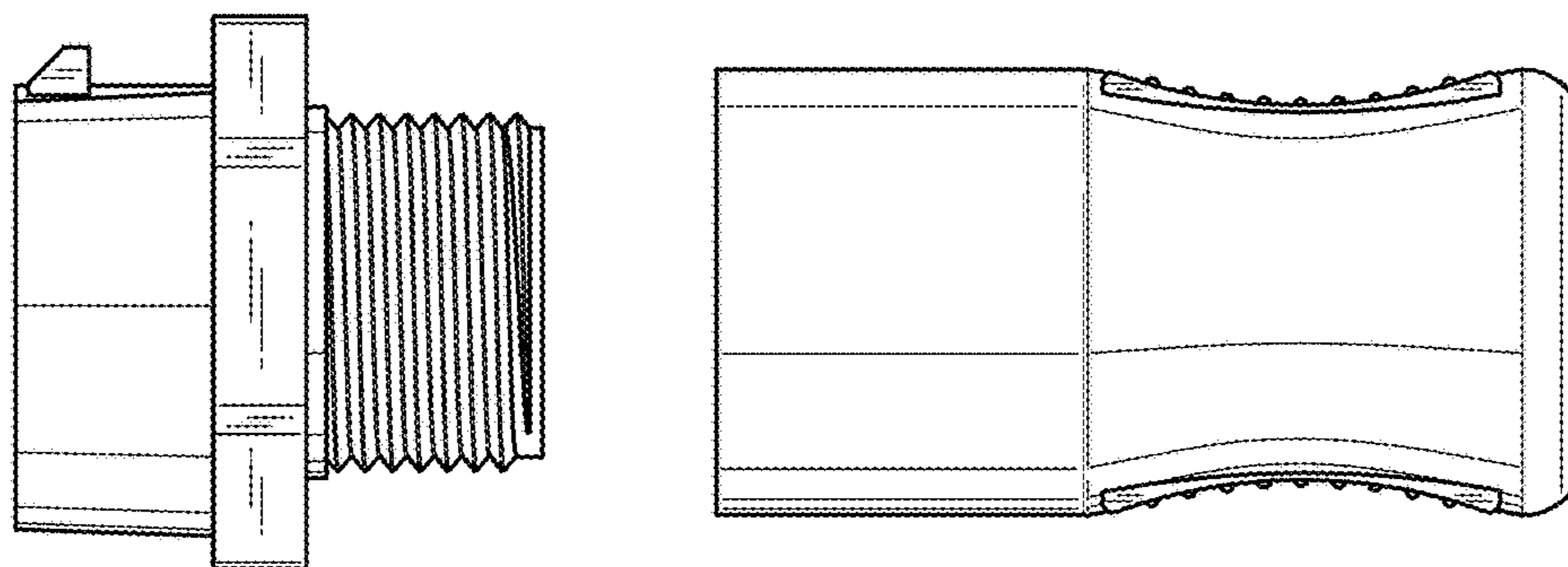


FIG. 9

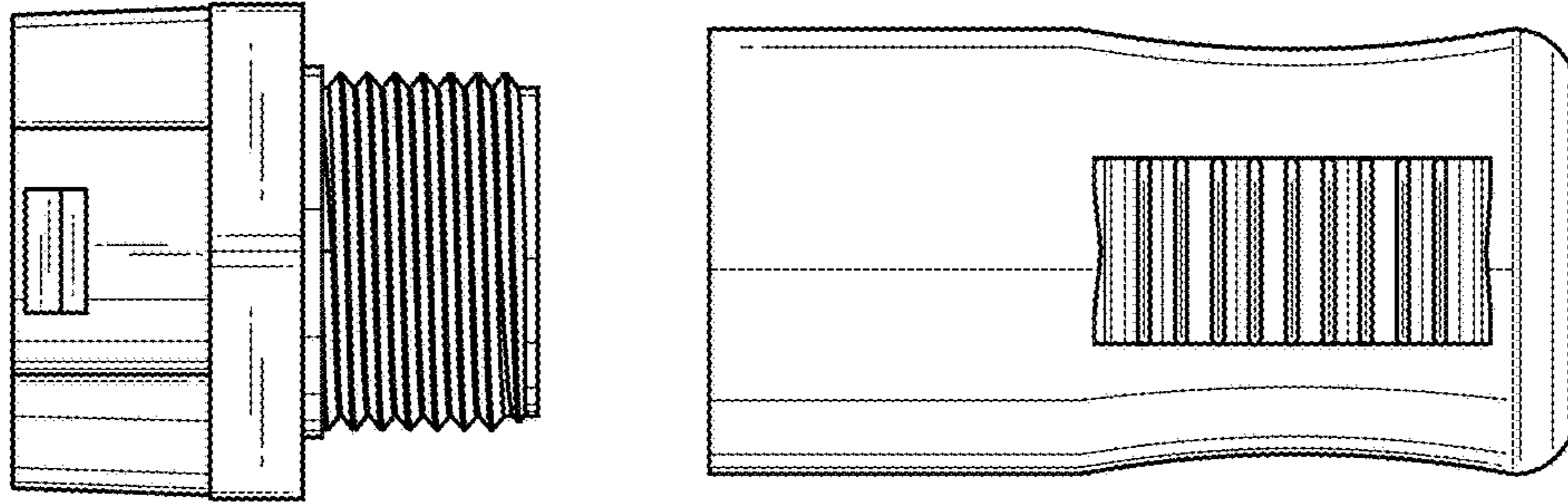


FIG. 10

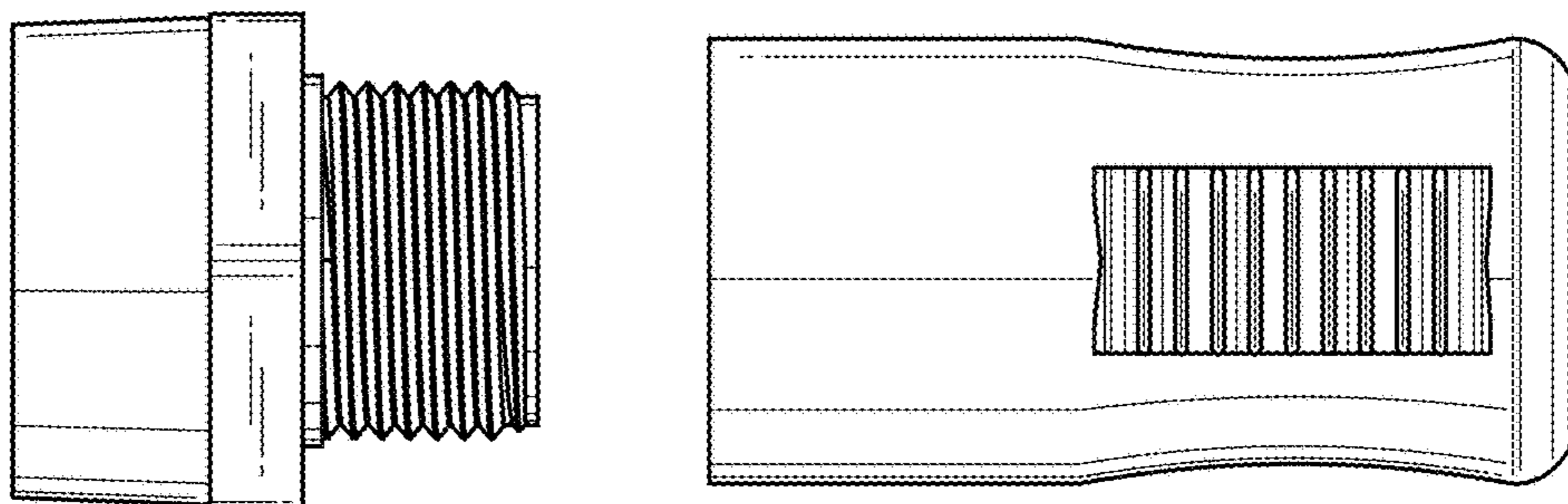


FIG. 11