



US00D816035S

(12) **United States Design Patent**
O'Young et al.

(10) **Patent No.:** **US D816,035 S**
(45) **Date of Patent:** **** Apr. 24, 2018**

- (54) **SURFACE MOUNT BOX**
- (71) Applicant: **Panduit Corp.**, Tinley Park, IL (US)
- (72) Inventors: **Jason O'Young**, Tinley Park, IL (US);
Benjamin J. Berridge, Lansing, IL (US); **Robert E. Fransen**, Tinley Park, IL (US); **Joshua A. Valenti**, Wheeling, IL (US)
- (73) Assignee: **Panduit Corp.**, Tinley Park, IL (US)
- (**) Term: **15 Years**
- (21) Appl. No.: **29/545,488**
- (22) Filed: **Nov. 13, 2015**
- (51) **LOC (11) Cl.** **13-03**
- (52) **U.S. Cl.**
USPC **D13/133; D13/152**
- (58) **Field of Classification Search**
USPC D13/110, 118, 123, 147, 152-154,
D13/158-162.1, 169, 171, 173, 177, 178,
D13/184, 199; D14/125, 240, 242, 355,
D14/358
CPC H01R 13/66; H01R 23/02; H01R 29/00;
H01R 27/00; H01R 13/46; H01R 31/06;
H01R 13/51; H01R 13/73; H02G 3/08;
G02B 6/44; H04R 1/10
See application file for complete search history.

- D443,859 S * 6/2001 Hogan D13/133
- 6,250,939 B1 * 6/2001 Chou H01R 13/6658
439/172
- D454,873 S 3/2002 Clark et al.
(Continued)

FOREIGN PATENT DOCUMENTS

- EP 2400328 A1 12/2011
- EP 2230738 A3 8/2014

OTHER PUBLICATIONS

Cable Matters Cat6 surface mount box, dated Jun. 30, 2015, [online], [site visited Aug. 4, 2017]. Available from Internet, <URL: <https://www.amazon.com/Cable-Matters-Pack-Surface-Mount/dp/B00IO3H88C>>.*

(Continued)

Primary Examiner — Thomas Johannes
Assistant Examiner — Shawn T Gingrich
(74) *Attorney, Agent, or Firm* — Christopher S. Clancy;
James H. Williams; Aimee E. McVady

(57) **CLAIM**

The ornamental design for a surface mount box, as shown and described.

DESCRIPTION

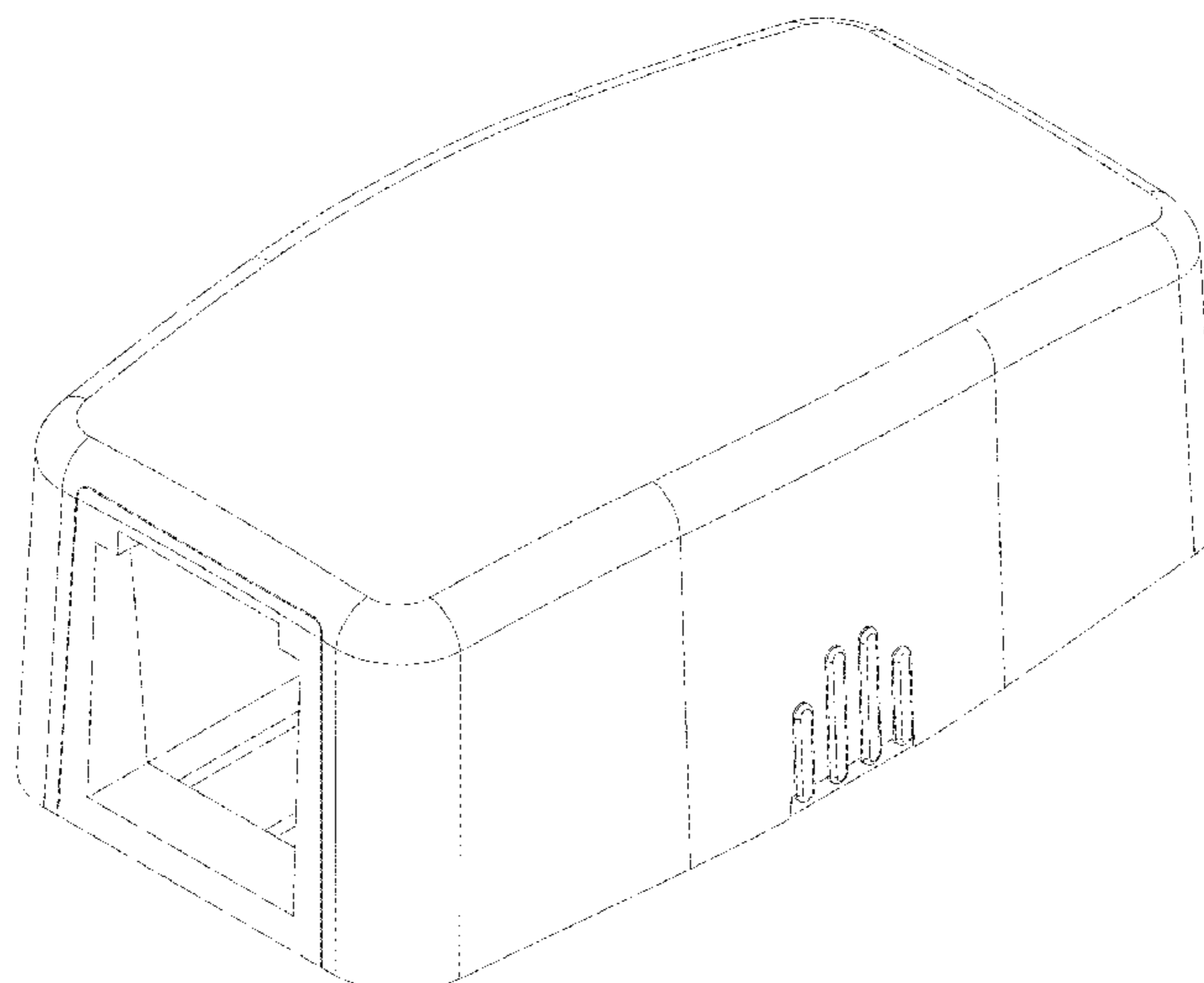
FIG. 1 is a front top perspective view of a surface mount box;
FIG. 2 is a top plan view thereof;
FIG. 3 is a bottom plan view thereof;
FIG. 4 is a front elevation view thereof;
FIG. 5 is a left side elevation view thereof;
FIG. 6 is a rear elevation view thereof; and,
FIG. 7 is a right side elevation view thereof.
The broken line portion of the figure drawings is included to show portions of the article that form no part of the claimed design.

1 Claim, 6 Drawing Sheets

(56) **References Cited**

U.S. PATENT DOCUMENTS

- 4,799,901 A * 1/1989 Pirc H01R 13/6666
333/185
- D337,757 S 7/1993 Wu
- D358,580 S * 5/1995 Arnold D13/110
- 5,632,656 A 5/1997 Lo
- D402,956 S * 12/1998 Lindahl D13/107
- D418,481 S * 1/2000 Lin D13/152
- D424,528 S * 5/2000 Dernehl D13/110
- D425,022 S * 5/2000 Jaag D13/133
- D437,849 S 2/2001 Chen



(56)

References Cited

U.S. PATENT DOCUMENTS

D476,298 S * 6/2003 Lee D13/184
 D480,688 S * 10/2003 Lin D13/147
 D480,716 S 10/2003 Saikawa et al.
 D503,384 S 3/2005 Weatherley
 D521,504 S 5/2006 Nagel et al.
 D526,615 S * 8/2006 Nakashima D13/133
 7,105,743 B2 9/2006 Caveney
 7,227,082 B2 6/2007 Caveney
 D568,814 S * 5/2008 Hung D13/123
 D585,852 S * 2/2009 Chen D13/184
 D593,507 S * 6/2009 Svoboda D13/162
 D639,238 S * 6/2011 Serrano D13/110
 D650,345 S 12/2011 Kim
 D654,885 S 2/2012 Isaias
 D684,927 S * 6/2013 Sage D13/110
 D703,610 S * 4/2014 Rebsdorf D13/115
 8,875,877 B2 11/2014 Cottle et al.
 D725,099 S * 3/2015 Neumann D10/78

D746,227 S * 12/2015 Lemire-Elmore D13/107
 D763,789 S * 8/2016 Mchatet D13/107
 D769,818 S * 10/2016 Alesi D13/110
 D783,542 S * 4/2017 Marsden D13/156
 D792,356 S * 7/2017 Lin D13/162

OTHER PUBLICATIONS

Surface Mount Box 1-port White, dated Mar. 20, 2015, [online], [site visited Aug. 4, 2017]. Available from Internet, <URL: <http://www.icc.com/p/137/surface-mount-box-1-port-white>>.*
 CableWholesale Cat5e Duplex Surface Mount Box, Unshielded, 2 pages, <http://www.cablewholesale.com/products/network-phone/surface-mount-jacks/product-300-313de.php>; printed Aug. 27, 2015.
 Electriduct, Inc. Cat6 White Surface Mount Boxes, 1 page, <http://www.electriduct.com/CAT6-White-Surface-Mount-Boxes.html>, printed Aug. 27, 2015.

* cited by examiner

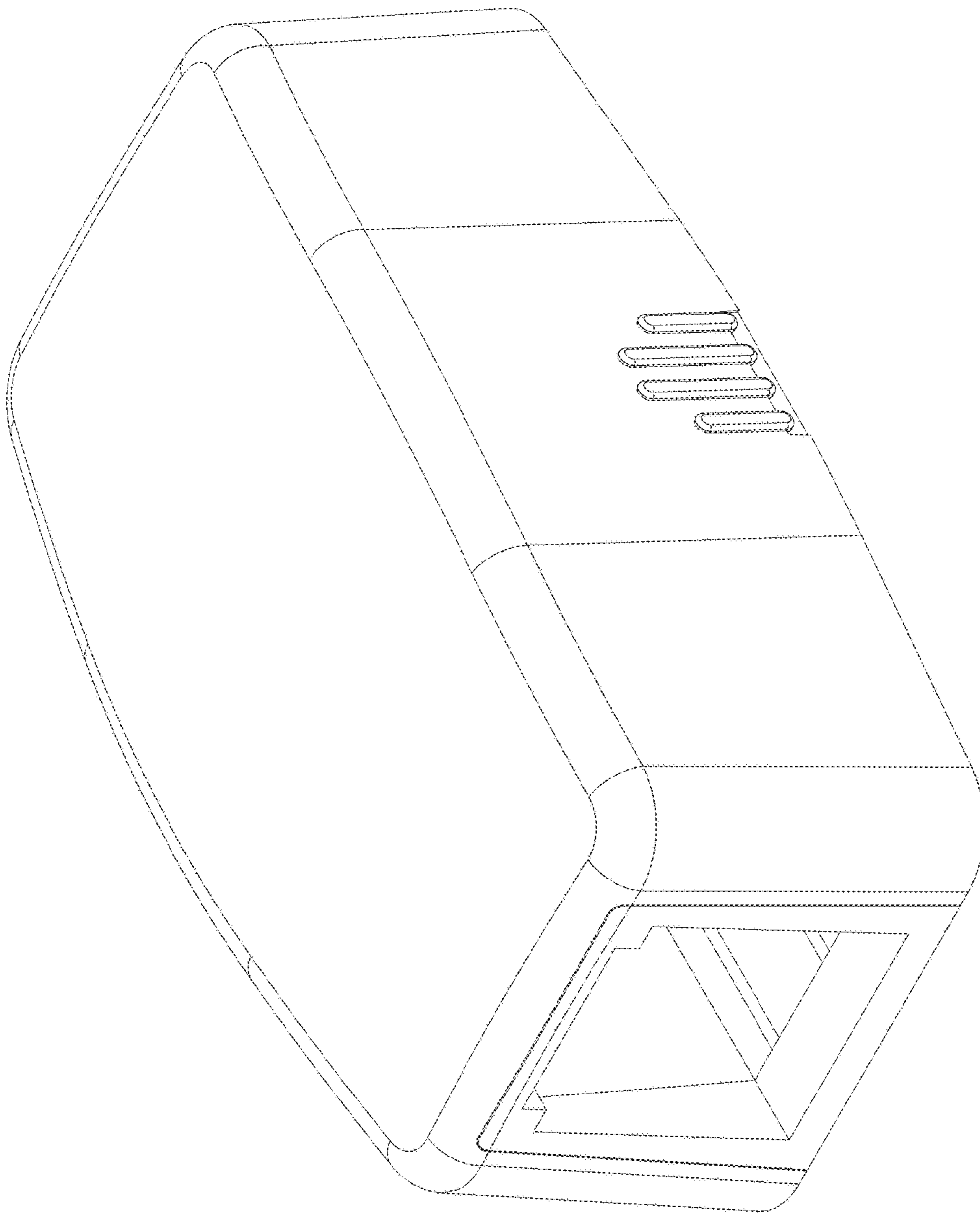


FIG. 1

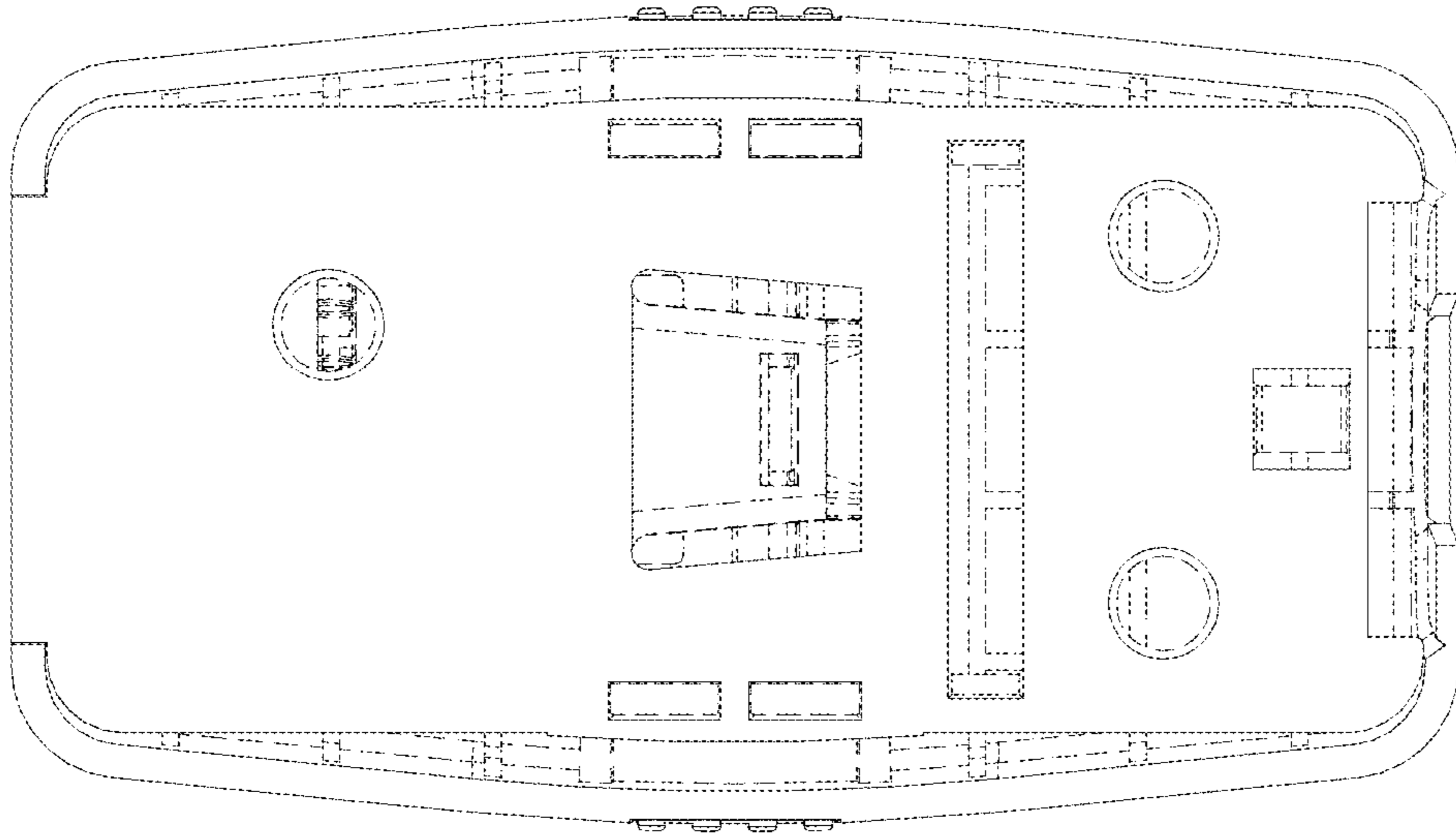


FIG. 3

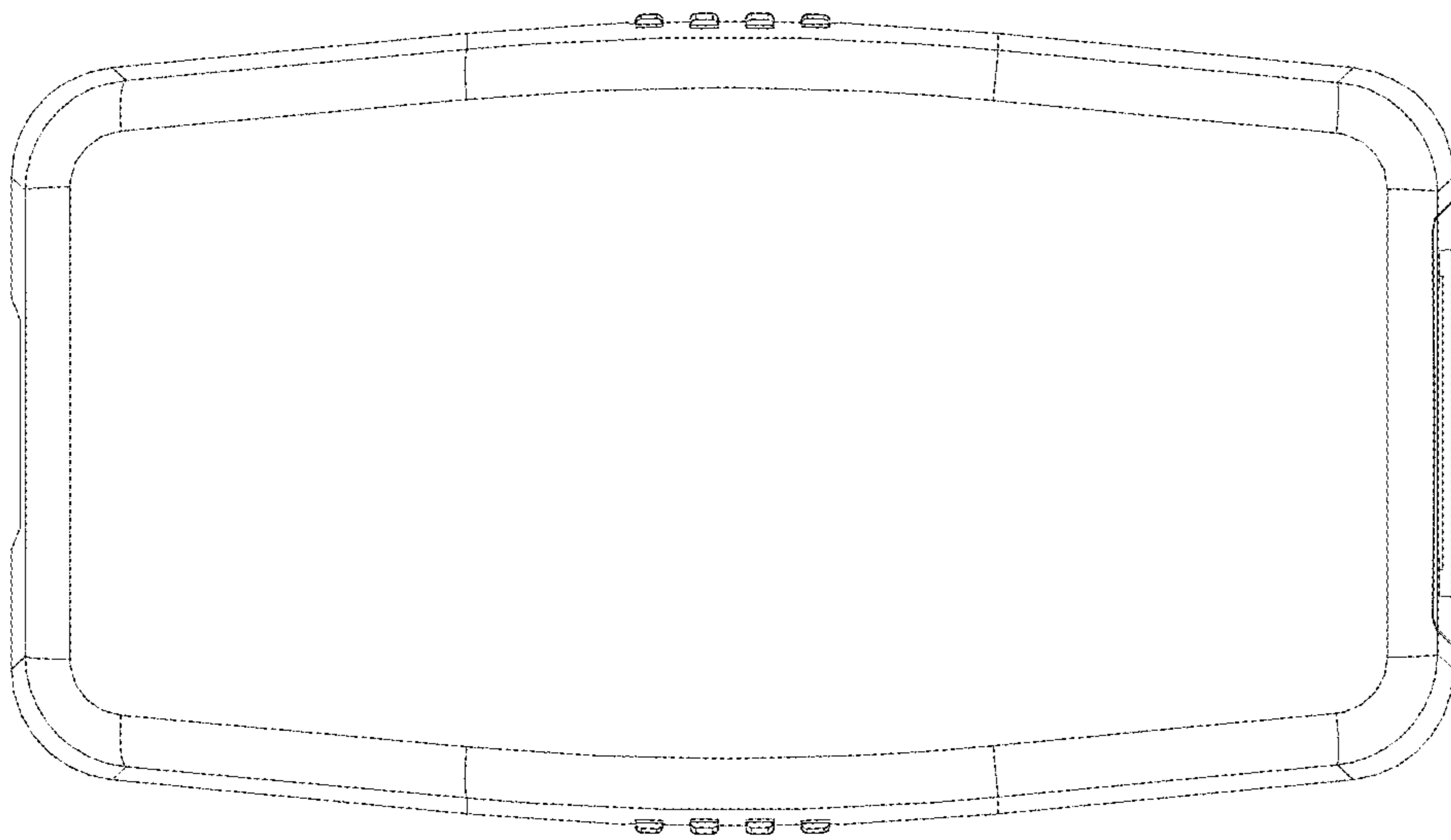


FIG. 2

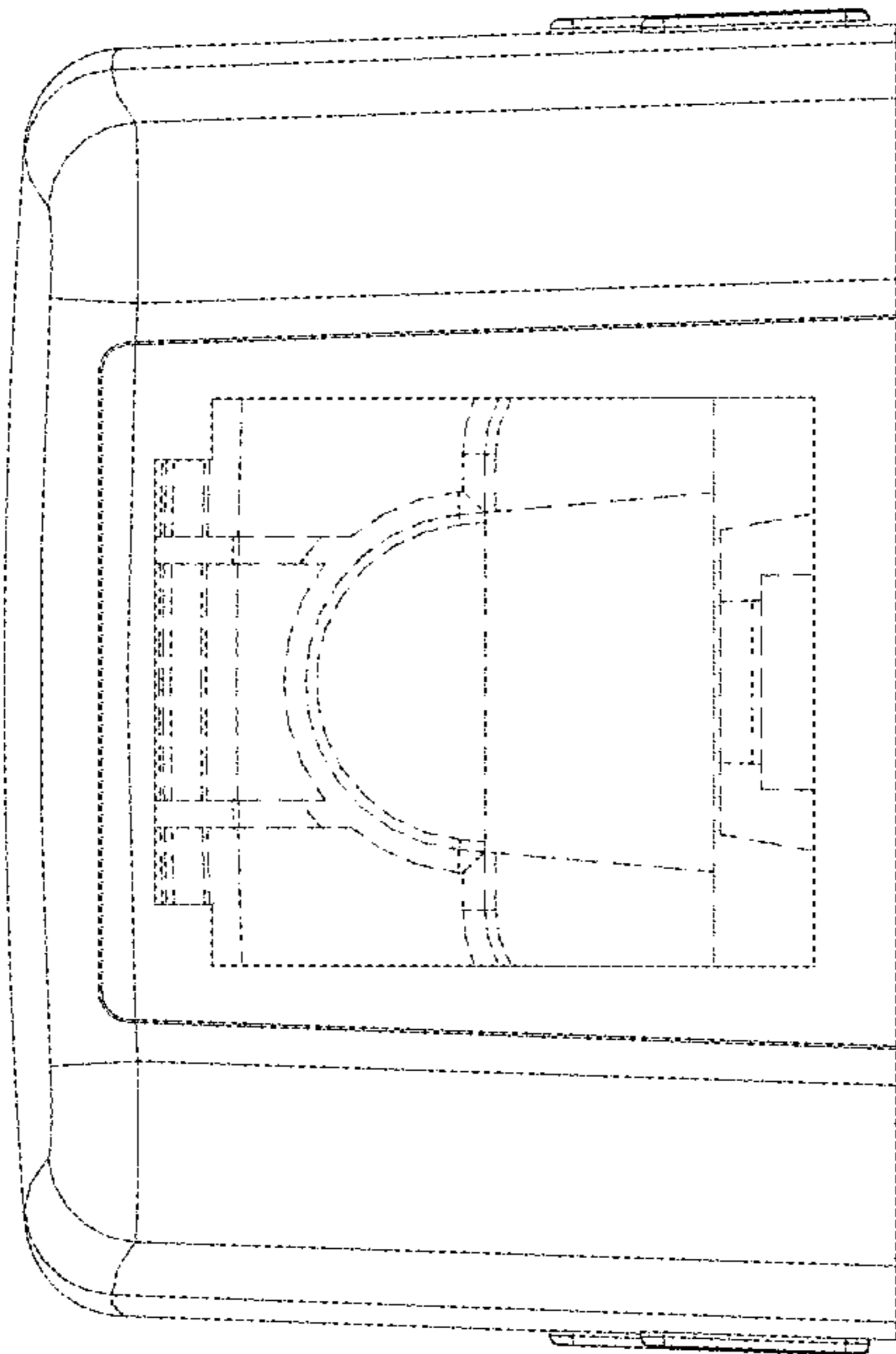


FIG. 4

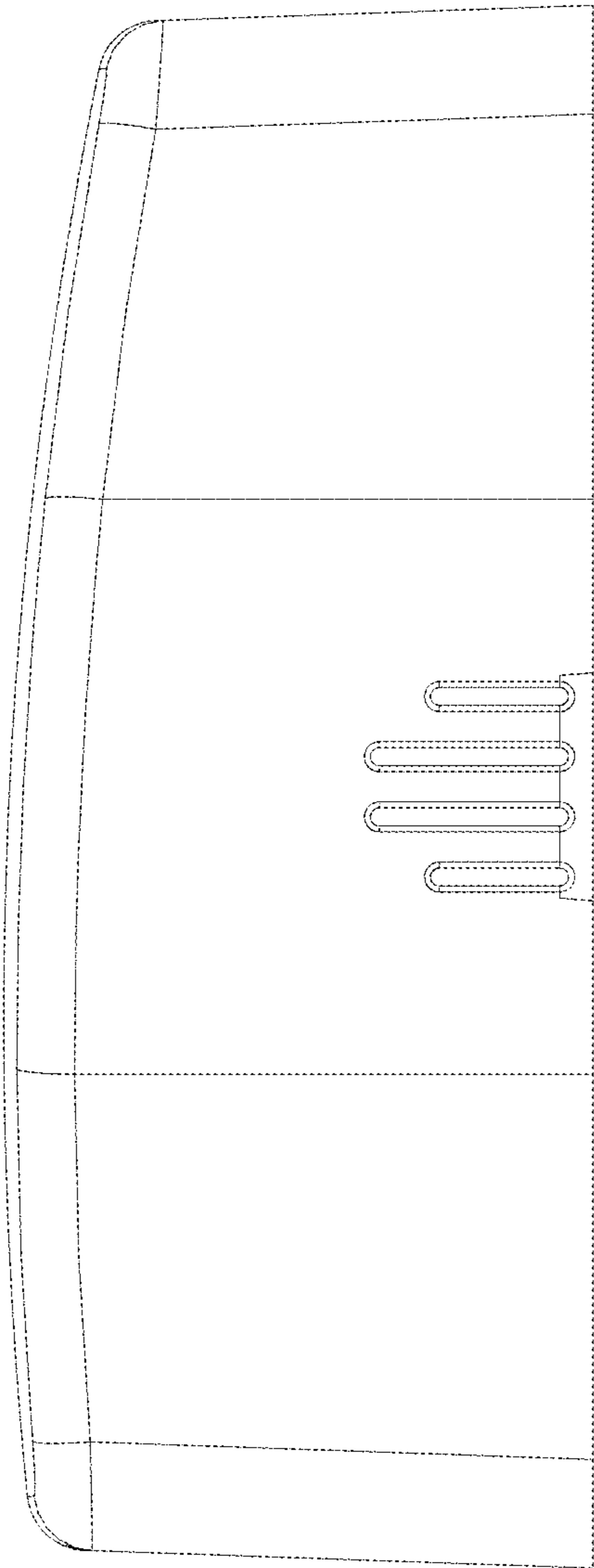


FIG. 5

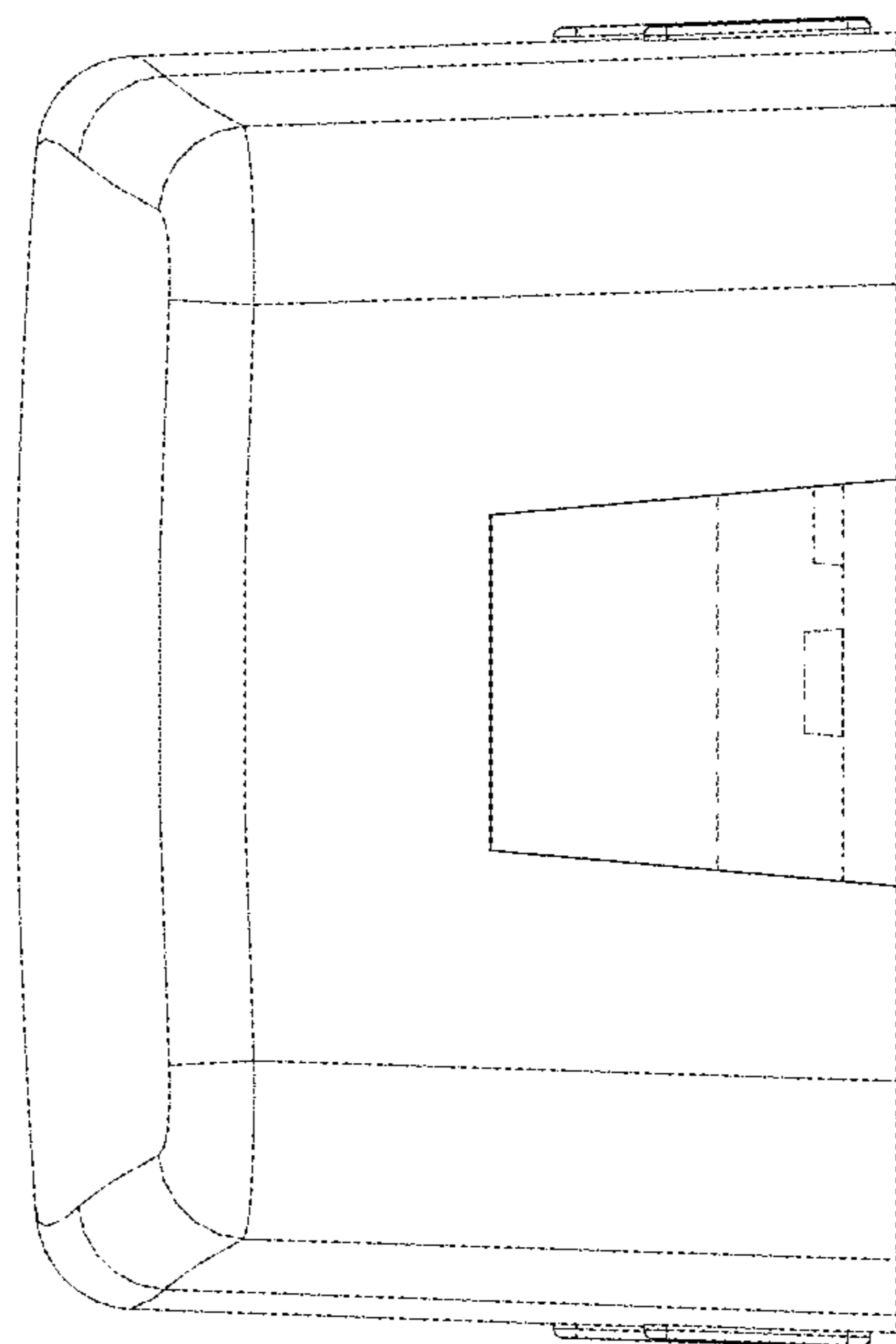


FIG. 6

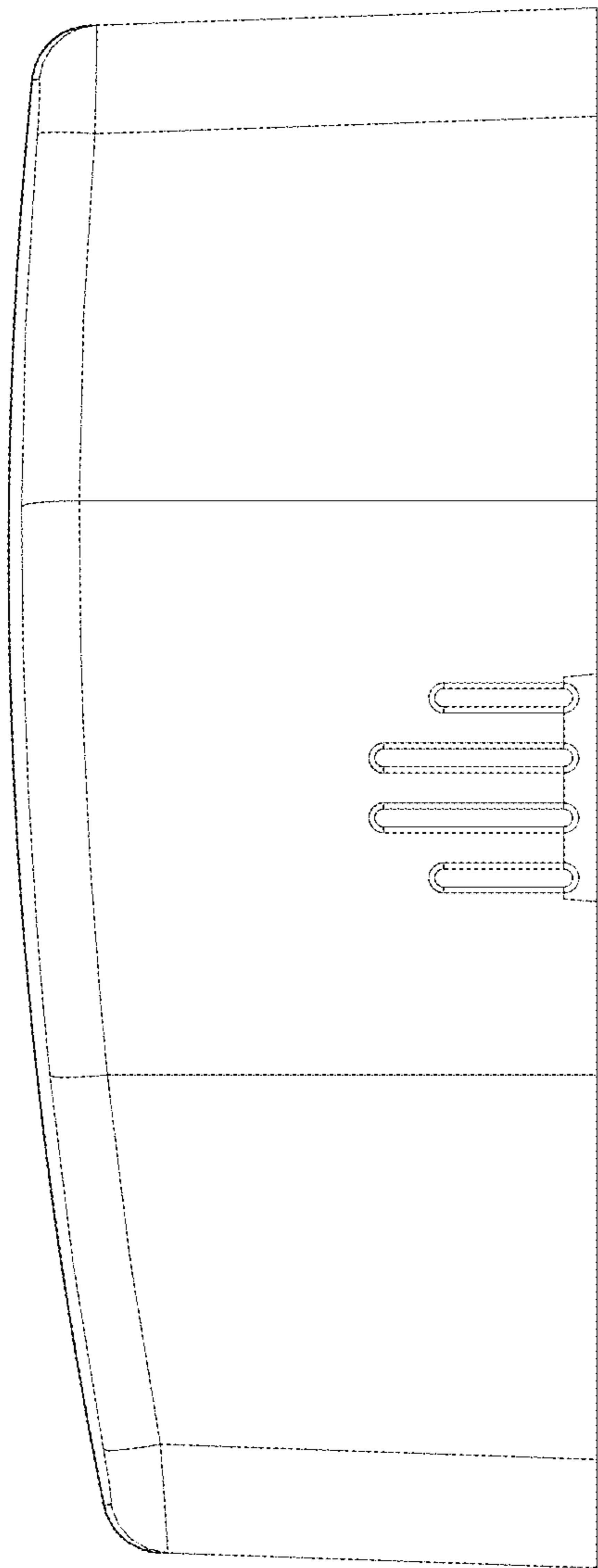


FIG. 7