



US00D816032S

(12) **United States Design Patent**  
**Panzer et al.**

(10) **Patent No.:** **US D816,032 S**  
(45) **Date of Patent:** **\*\* Apr. 24, 2018**

(54) **ROTATIONAL DRIVE TO LINEAR DRIVE COMPONENT**

(71) Applicant: **Aktiebolaget SKF**, Göteborg (SE)

(72) Inventors: **Hans Peter Panzer**, Lörrach (DE);  
**Martin Vögelin**, Diegten (CH);  
**Dominik Gerber**, Muttenz (CH);  
**Marcel Soltermann**, Sankt Pantaleon (CH)

(73) Assignee: **AKTIEBOLAGET SKF**, Gothenburg (SE)

(\*\*) Term: **15 Years**

(21) Appl. No.: **29/594,602**

(22) Filed: **Feb. 21, 2017**

(30) **Foreign Application Priority Data**

Sep. 3, 2016 (DE) ..... 40 2016 001 217

(51) **LOC (11) Cl.** ..... **13-01**

(52) **U.S. Cl.**  
USPC ..... **D13/112**

(58) **Field of Classification Search**  
USPC ..... D13/112, 101, 113-118, 122, 123, 162,  
D13/184, 199; D15/5, 136, 143, 199  
CPC .. F02B 63/04; H02K 3/24; H02K 3/47; F16H  
2025/2034; F28F 3/12; E04F 11/1842  
See application file for complete search history.

(56) **References Cited**

**U.S. PATENT DOCUMENTS**

D287,715 S \* 1/1987 Pittman, III ..... D13/112  
4,988,905 A \* 1/1991 Tolmie, Jr. .... H02K 29/06  
310/68 B

6,756,707 B2 \* 6/2004 Hochhalter ..... F16H 25/20  
310/20  
D557,210 S \* 12/2007 Liu ..... D13/112  
D587,733 S \* 3/2009 Niedermeyer ..... D15/143  
D597,943 S \* 8/2009 Lin ..... D13/112  
D641,698 S \* 7/2011 Christensen ..... D13/112  
8,495,924 B2 \* 7/2013 Fukano ..... F16H 25/2454  
254/98  
D688,627 S \* 8/2013 Veeh ..... D13/112  
D704,238 S \* 5/2014 Fukano ..... D15/143  
2013/0340547 A1 \* 12/2013 Yasui ..... F16H 25/20  
74/49

\* cited by examiner

*Primary Examiner* — Derrick Holland

(74) *Attorney, Agent, or Firm* — Bryan Peckjian; SKF  
USA Inc. Patent Dept.

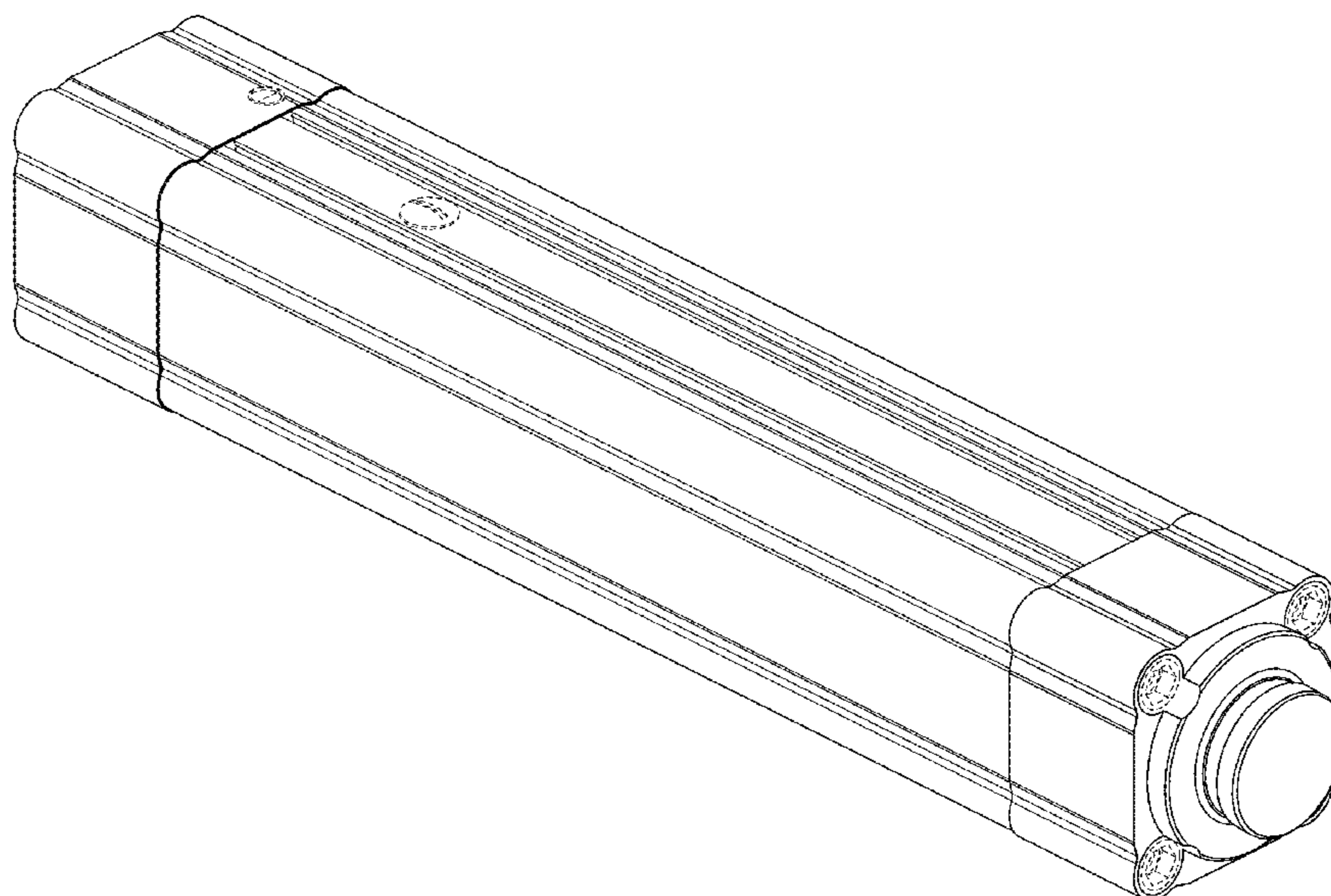
(57) **CLAIM**

We claim the ornamental design for a rotational drive to linear drive component, as shown and described.

**DESCRIPTION**

FIG. 1 is a front view of a rotational drive to linear drive component;  
FIG. 2 is a right side view thereof;  
FIG. 3 is a rear view thereof;  
FIG. 4 is a left side view thereof;  
FIG. 5 is a bottom view thereof;  
FIG. 6 is a top view thereof; and,  
FIG. 7 is an isometric top, right side, rear view thereof.  
The broken lines shown represent unclaimed subject matter and form no part of the claimed design.

**1 Claim, 6 Drawing Sheets**



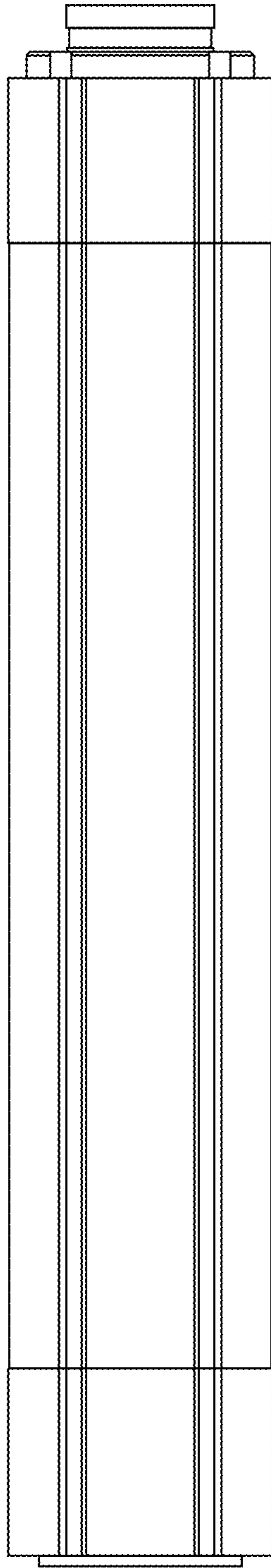


FIG. 1

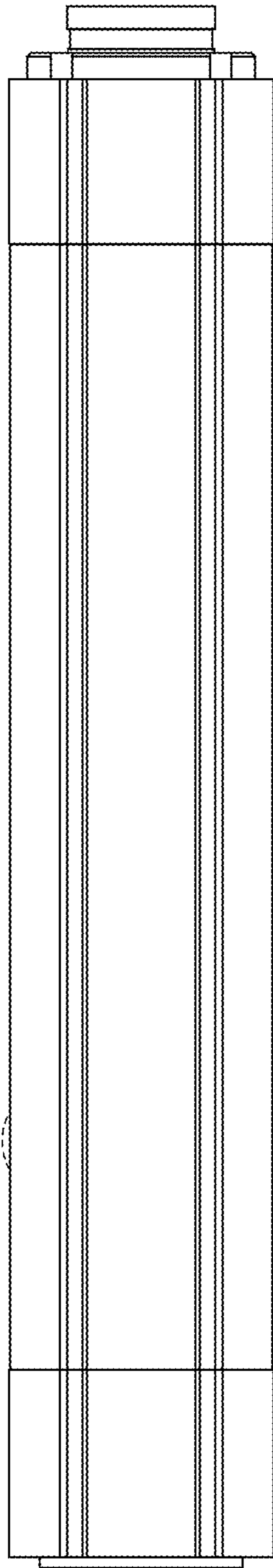


FIG. 2

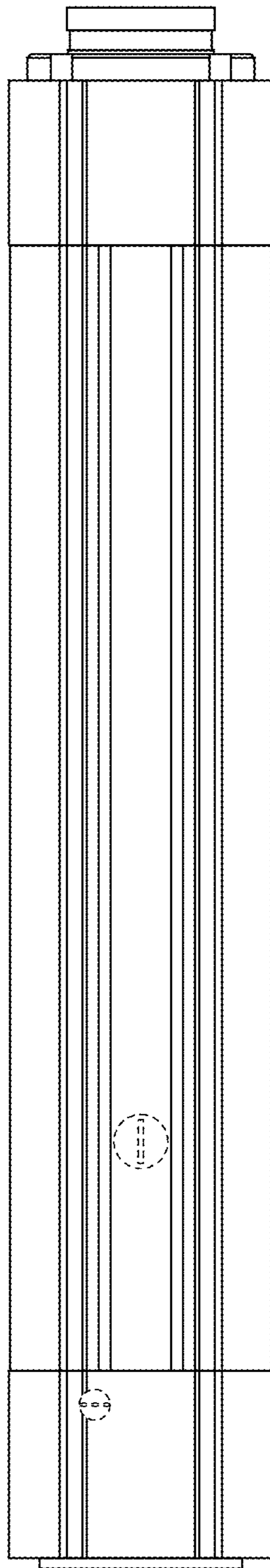


FIG. 3

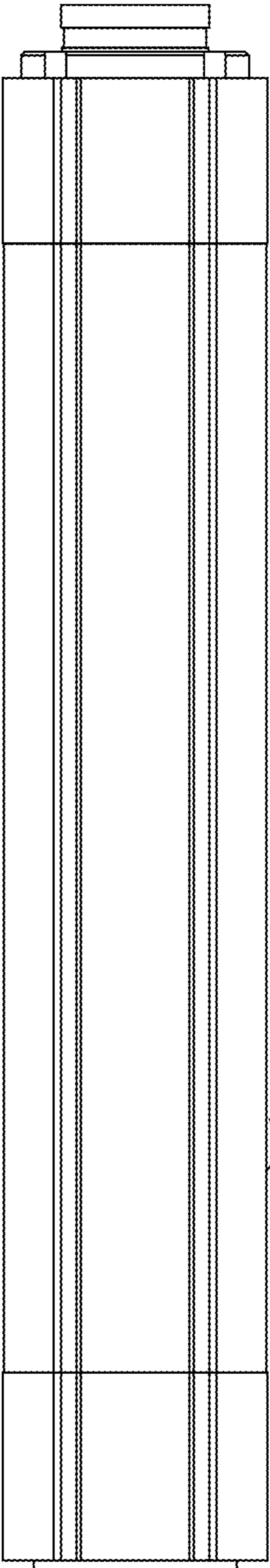


FIG. 4

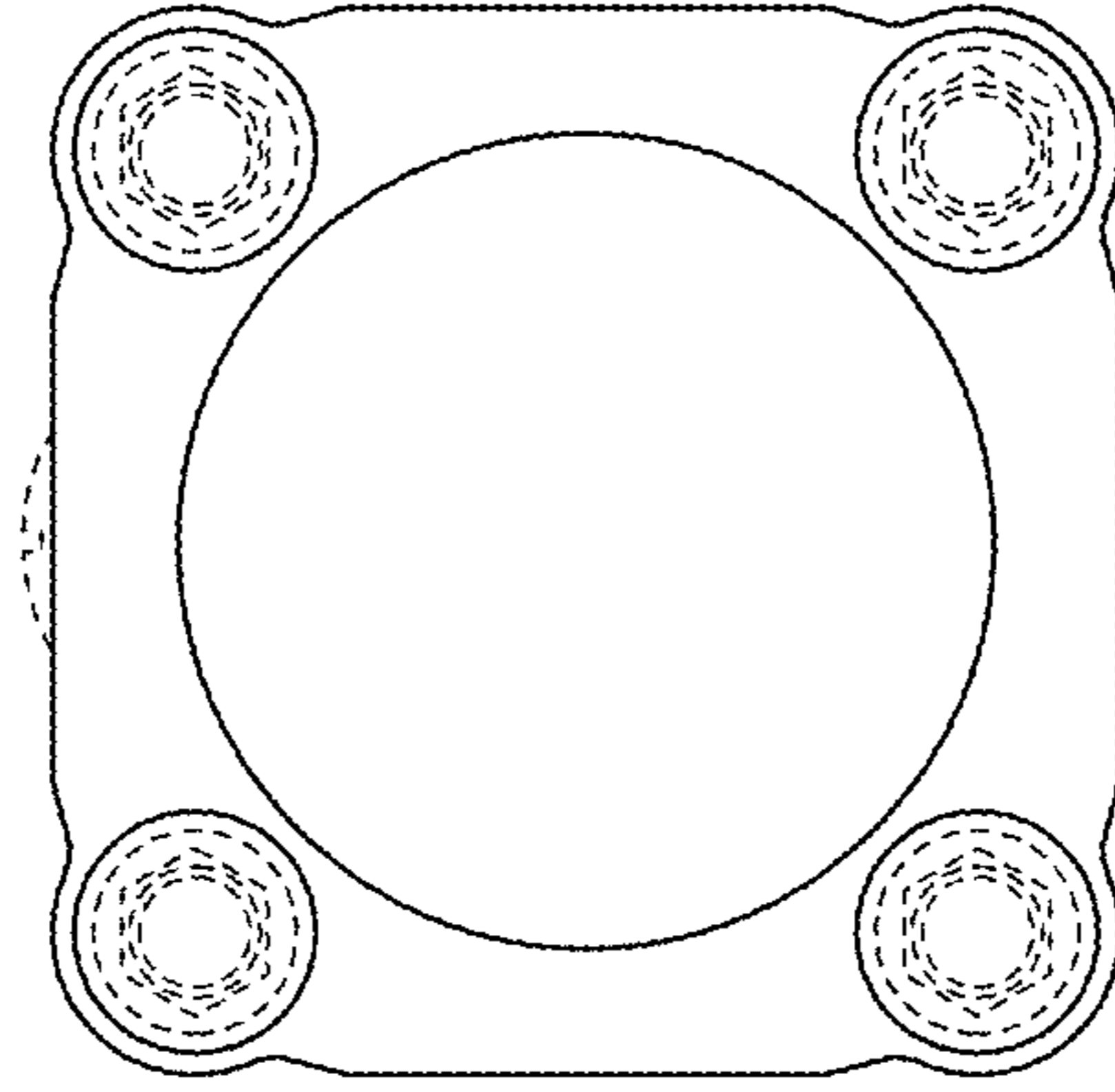


FIG. 5

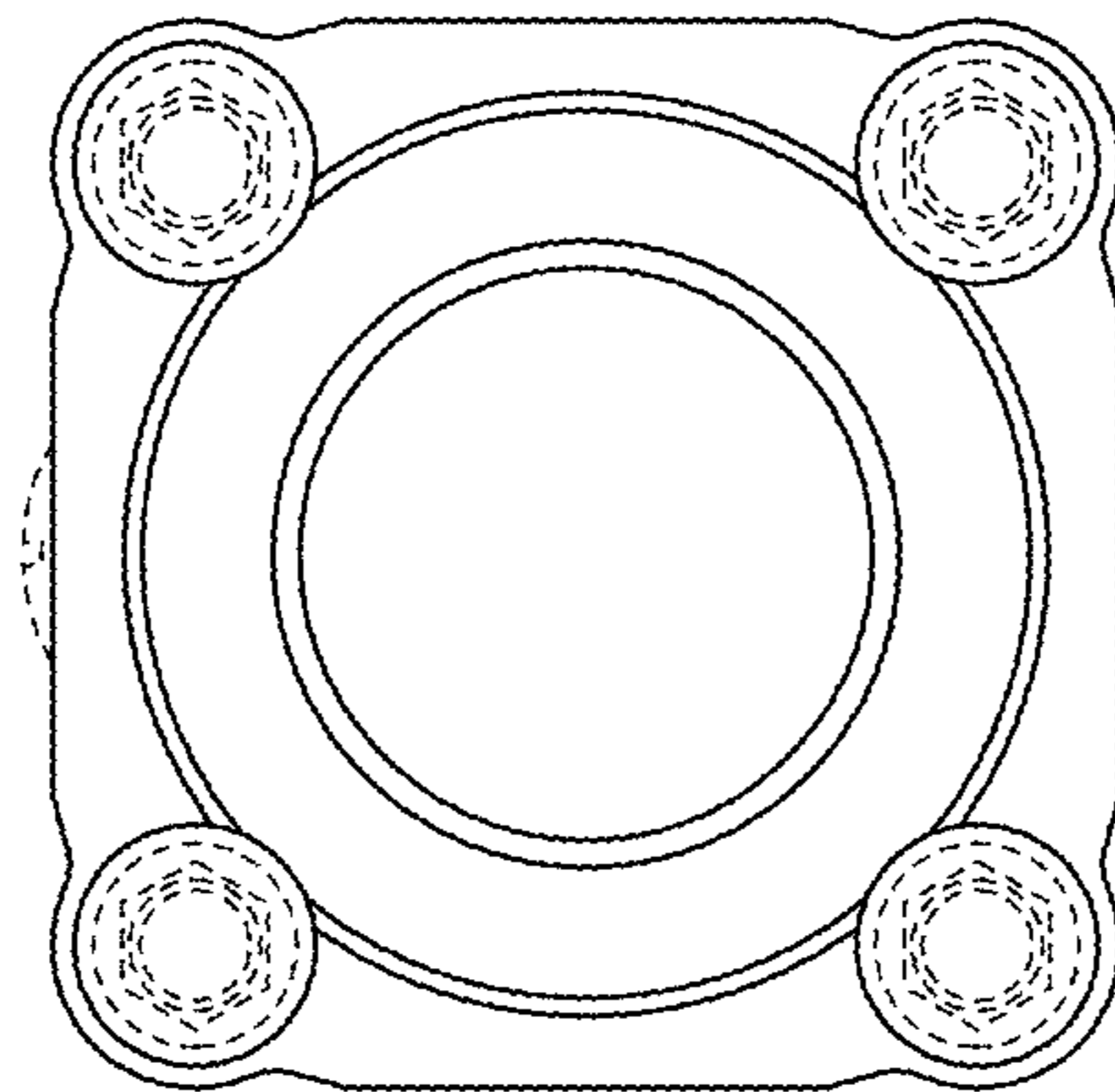


FIG. 6

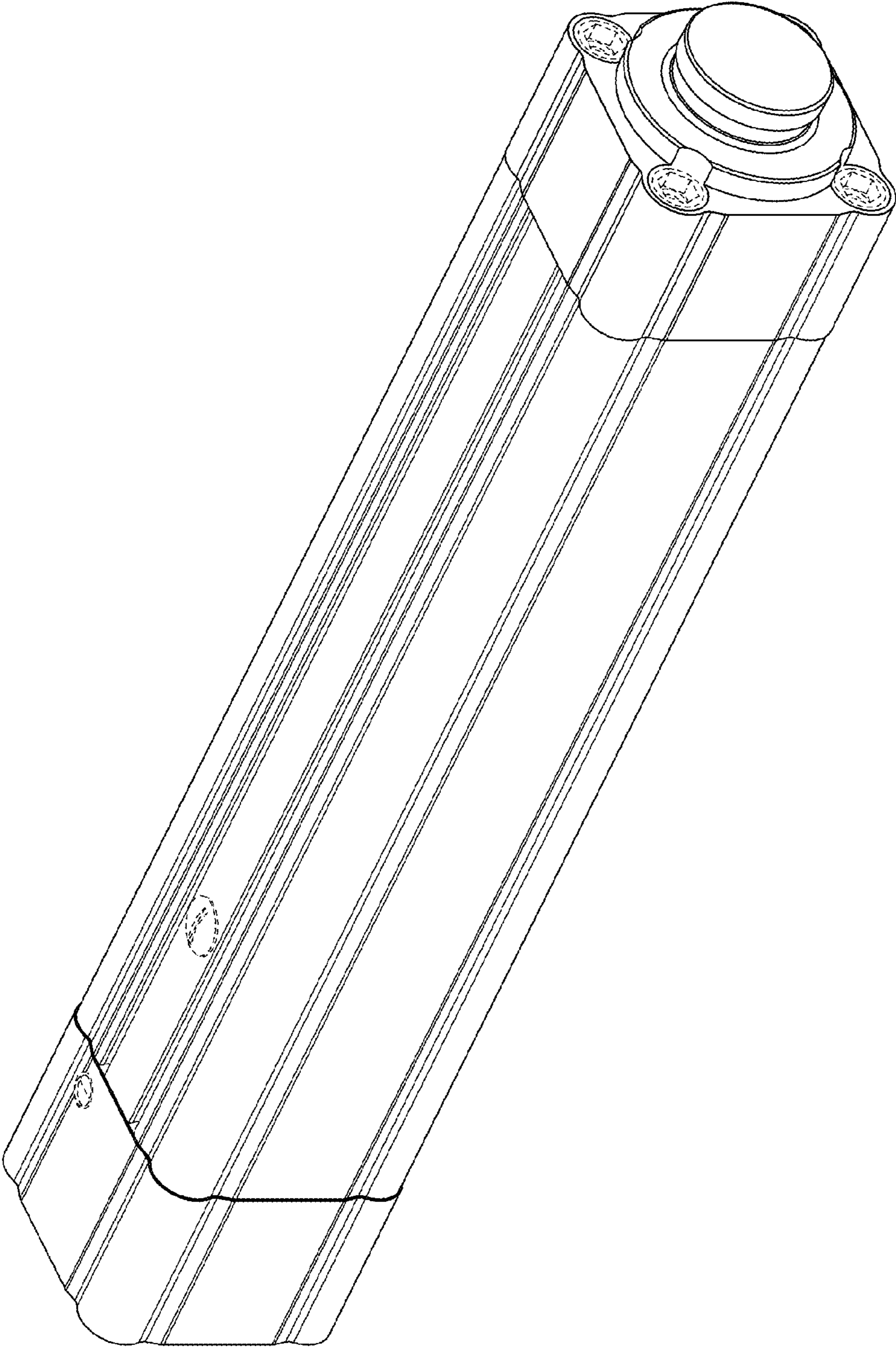


FIG. 7