



US00D816029S

(12) **United States Design Patent** (10) **Patent No.:** **US D816,029 S**
Dai (45) **Date of Patent:** **** Apr. 24, 2018**

(54) **PORTABLE POWER BANK**

60/50; Y02T 90/14; Y02T 90/122; Y02T 90/128; Y02T 90/163; H05K 11/02

(71) Applicant: **Shenzhen Lepow Creative Technology Co., Ltd.**, Shenzhen, Guangdong (CN)

See application file for complete search history.

(72) Inventor: **Qifang Dai**, Guangdong (CN)

(56) **References Cited**

(73) Assignee: **Shenzhen Lepow Creative Technology Co., Ltd.**, Shenzhen (CN)

U.S. PATENT DOCUMENTS

(**) Term: **15 Years**

D588,988 S *	3/2009	Nan	D13/119
D718,762 S *	12/2014	Aarrestad	D14/149
D738,527 S *	9/2015	Benarieh	D13/110
D758,350 S *	6/2016	Mulumudi	D14/217
D763,838 S *	8/2016	Lee	D14/138 C

(21) Appl. No.: **29/603,784**

(Continued)

(22) Filed: **May 12, 2017**

OTHER PUBLICATIONS

(30) **Foreign Application Priority Data**

Amazon.com: Lepow 10000mAh Portable Charger External Battery Pack with LED Lights. Published Aug. 23, 2017. Retrieved from the internet at <<https://www.amazon.com/Lepow-Portable-Battery-Charger-10000mAh/dp/B074S41RBJ#customerReviews>>, Feb. 13, 2018. 1 page.*

Mar. 21, 2017 (CN) 2017 3 0083205

(51) **LOC (11) Cl.** **13-02**

(52) **U.S. Cl.**
USPC **D13/108**; D13/103

(58) **Field of Classification Search**
USPC D13/102, 103, 104, 105, 106, 107, 108, D13/109, 110, 118, 119, 184, 199; D14/203.3-203.8, 217, 248, 250-253, D14/432, 434, 440, 450, 496; D3/201, D3/218, 269, 301, 273, 303

CPC H02J 2001/008; H02J 3/32; H02J 3/008; H02J 7/0027; H02J 7/0013; H02J 7/0054; H02J 7/00; H02J 7/025; H02J 7/0042; H02J 7/0044; H02J 7/0045; H02J 7/0003; H02J 7/0055; H02J 7/0057; B60R 16/03; B60L 11/1809; B60L 11/1861; B60L 11/182; H01R 13/6675; H01R 13/70; H01R 13/71; H01R 13/66; H01R 2201/26; H01M 2/1022; H01M 2/1055; H01M 10/44; H01M 10/46; H01M 10/425; H01M 2/02; H01M 2/022; H01M 2/0202; H01M 2/0207; H01M 2/0212; H01M 10/4257; H01M 10/0436; H01M 10/48; H01M 2200/30; H01M 2250/30; H01M 2250/40; H01F 38/14; Y02E 60/12; Y02E 60/122; Y02E 60/124; Y02E

Primary Examiner — Rosemary K Tarcza
Assistant Examiner — Christy M Nemeth

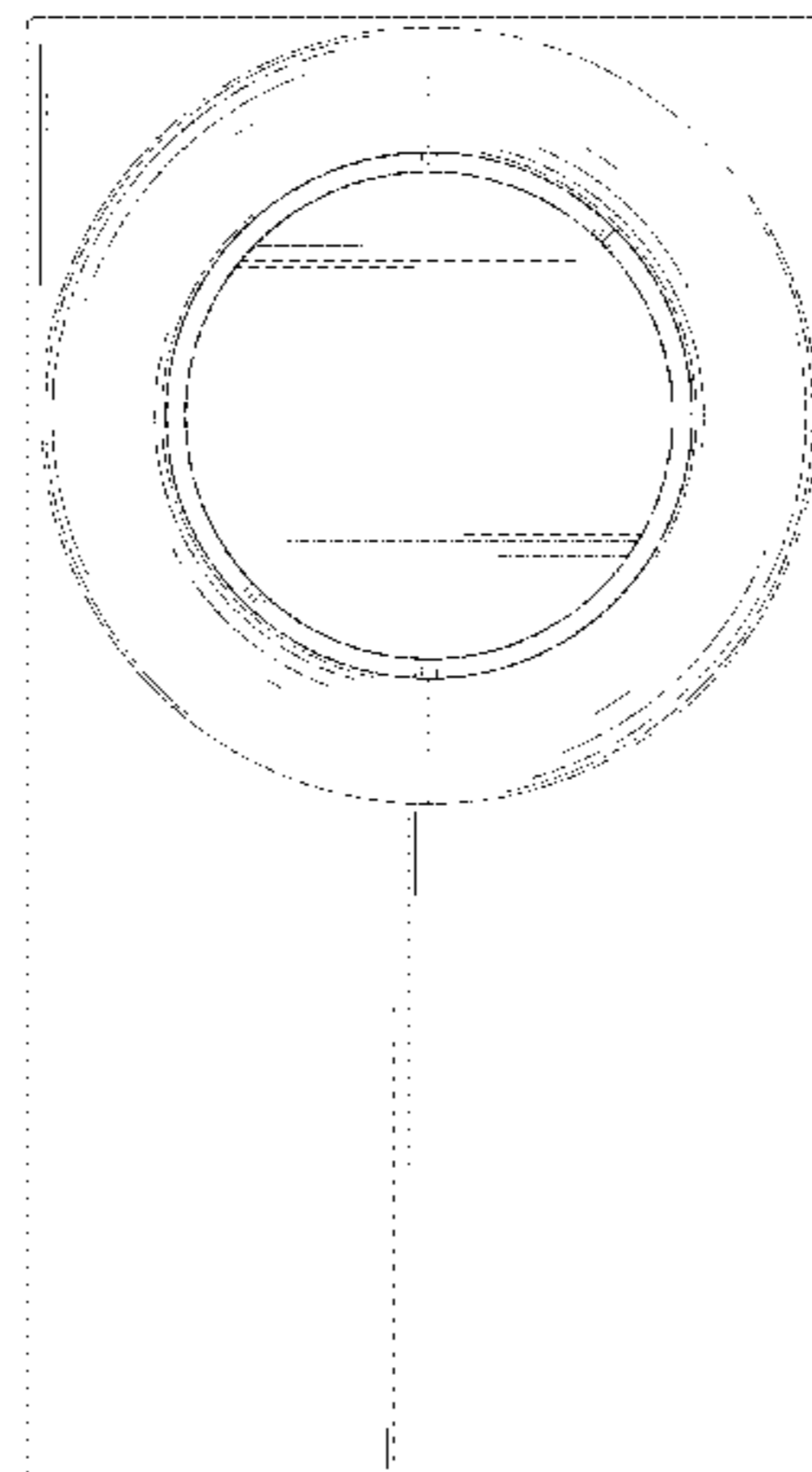
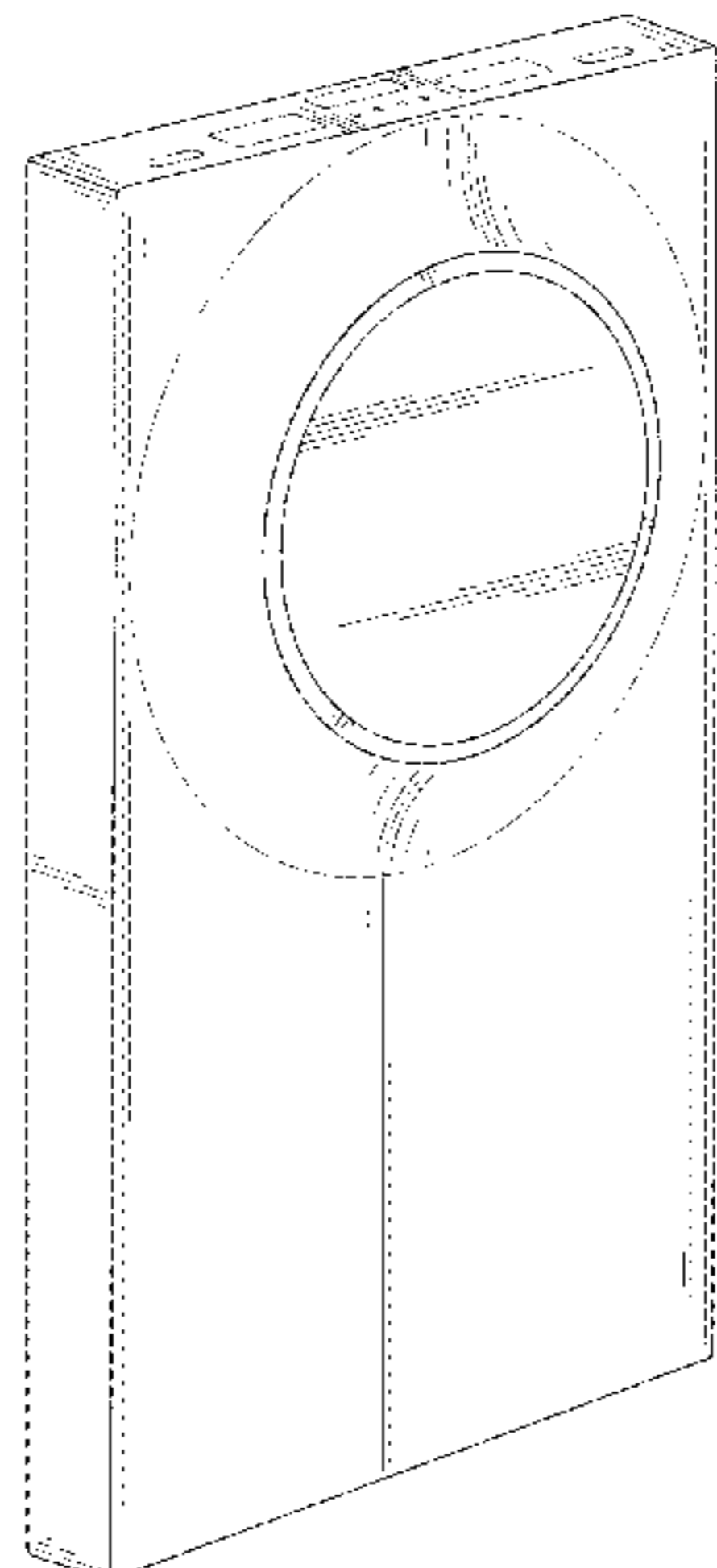
(57) **CLAIM**

The ornamental design for a portable power bank, as shown and described.

DESCRIPTION

FIG. 1 is a perspective view of a portable power bank showing my new design;
FIG. 2 is a front elevational view thereof;
FIG. 3 is a rear elevational view thereof;
FIG. 4 is a left side view thereof;
FIG. 5 is a right side view thereof;
FIG. 6 is a top plan view thereof; and,
FIG. 7 is a bottom plan view thereof.
The broken lines in the drawings illustrate portions of the portable power bank which form no part of the claimed design.

1 Claim, 7 Drawing Sheets



(56)

References Cited

U.S. PATENT DOCUMENTS

D771,026 S *	11/2016	Min	D14/138 C
D774,025 S *	12/2016	Reivo	D14/248
D777,662 S *	1/2017	Price	D13/103
D780,737 S *	3/2017	Yoshida	D14/248
D782,455 S *	3/2017	Kim	D14/248
D788,034 S *	5/2017	Gschwandtl	D13/108
D788,603 S *	6/2017	Liu	D10/102
D808,285 S *	1/2018	Bone	D10/46

* cited by examiner

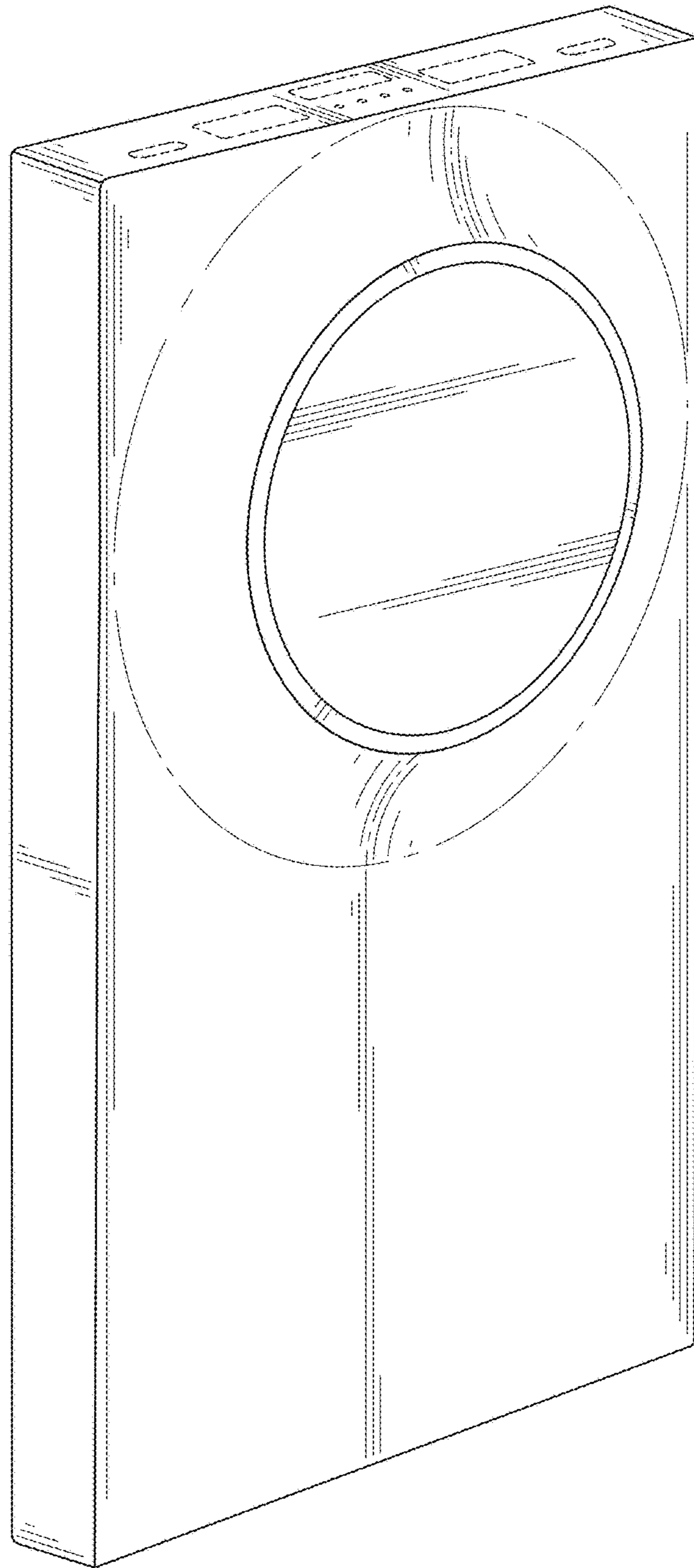


Fig. 1

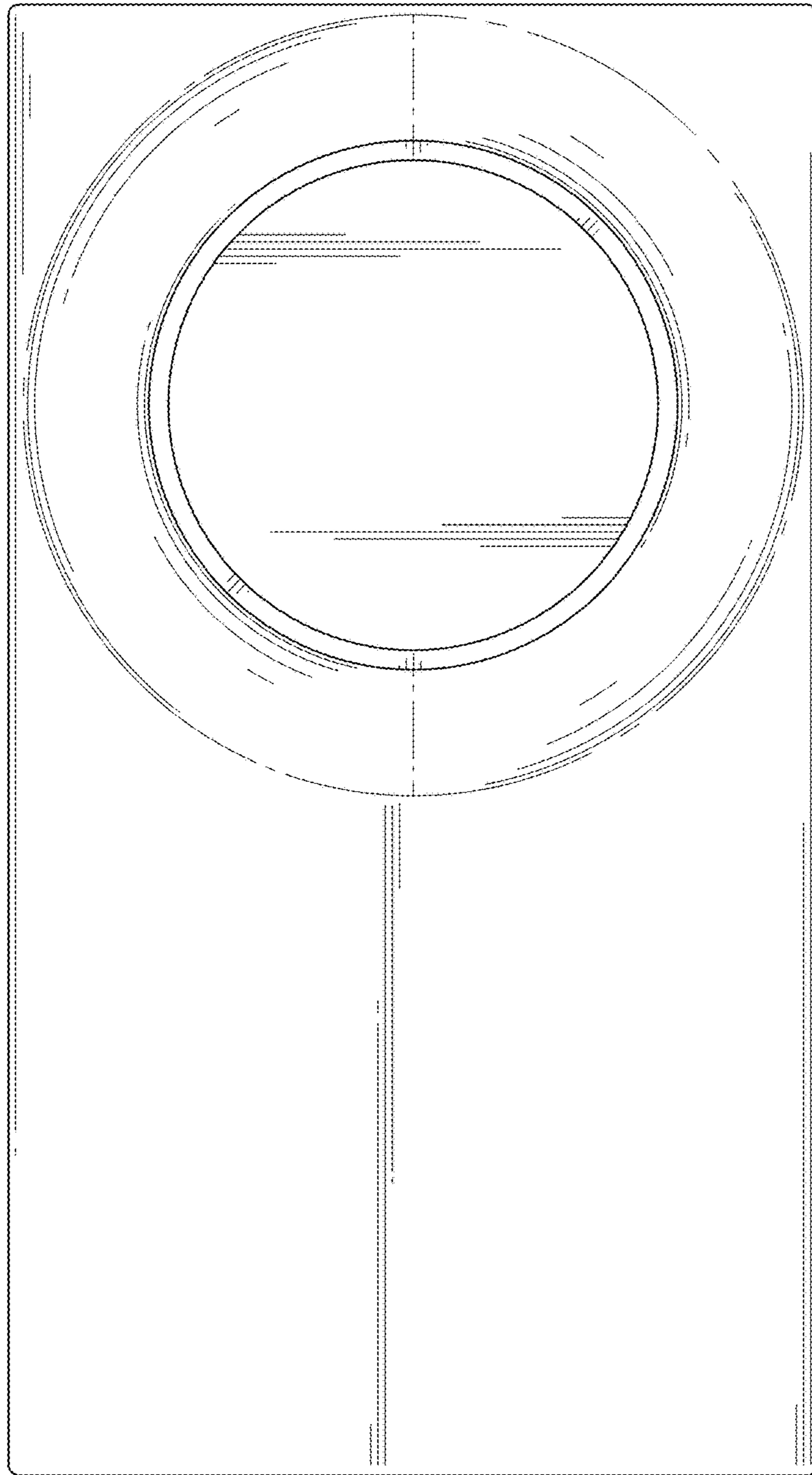


Fig. 2

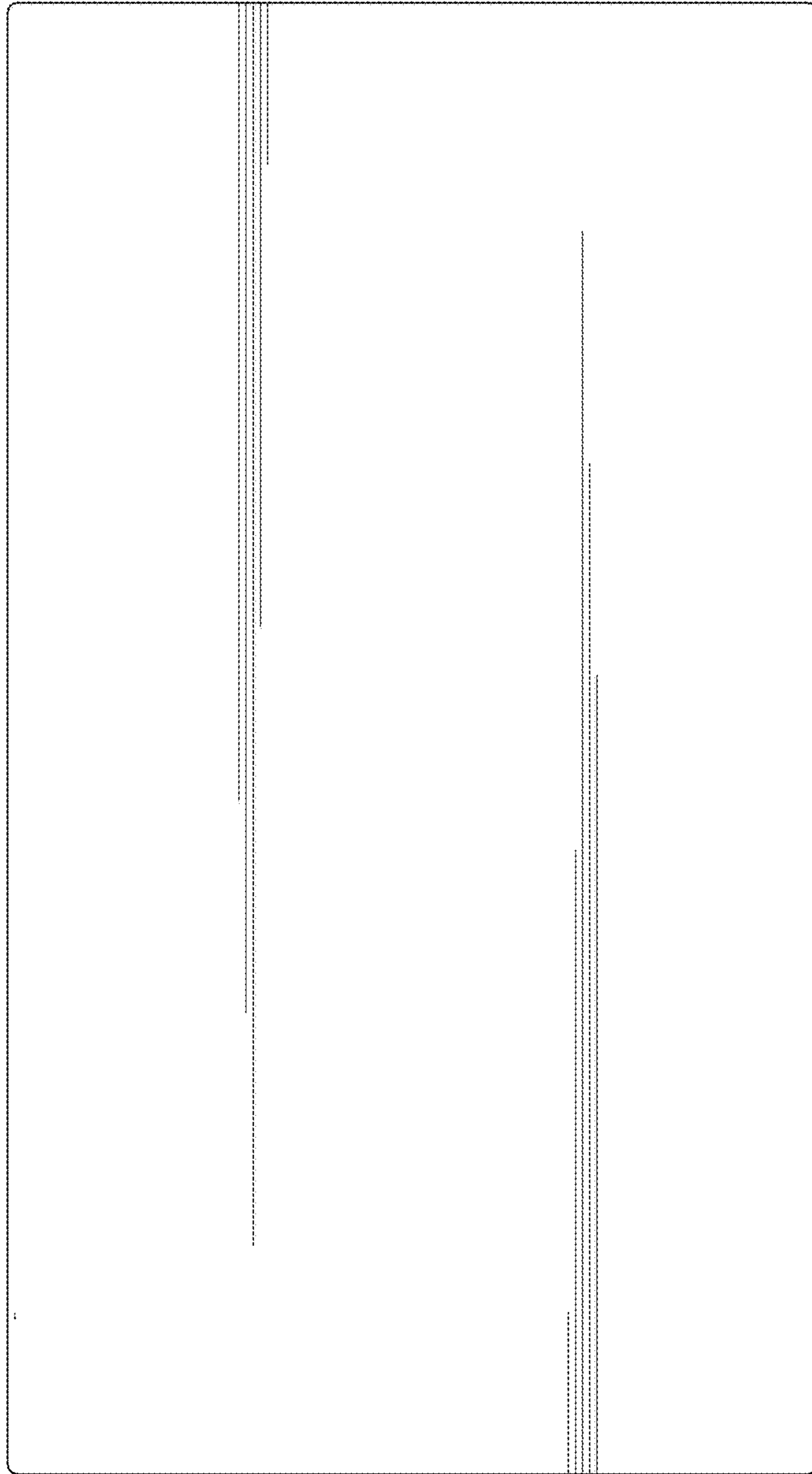


Fig. 3

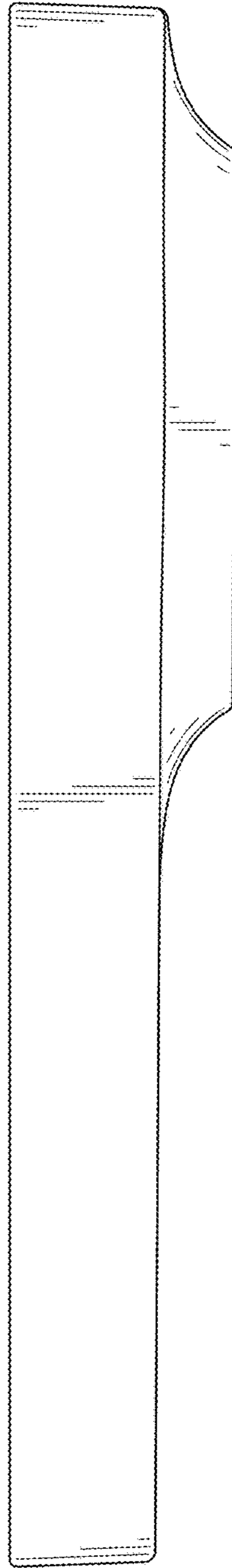


Fig. 4

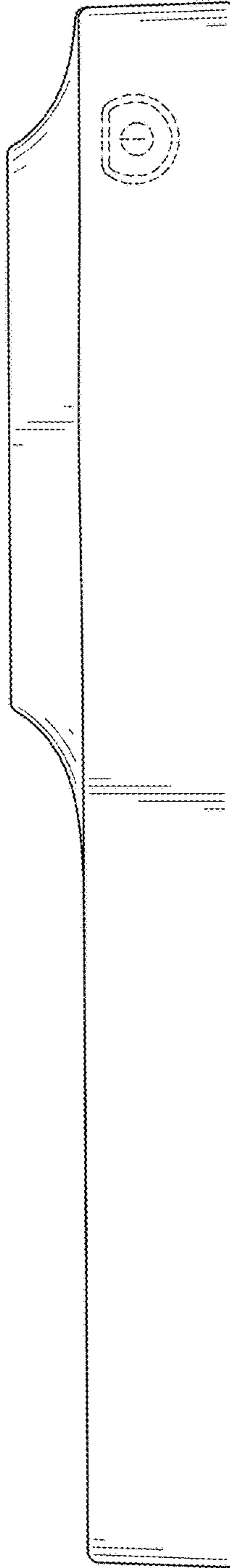


Fig. 5

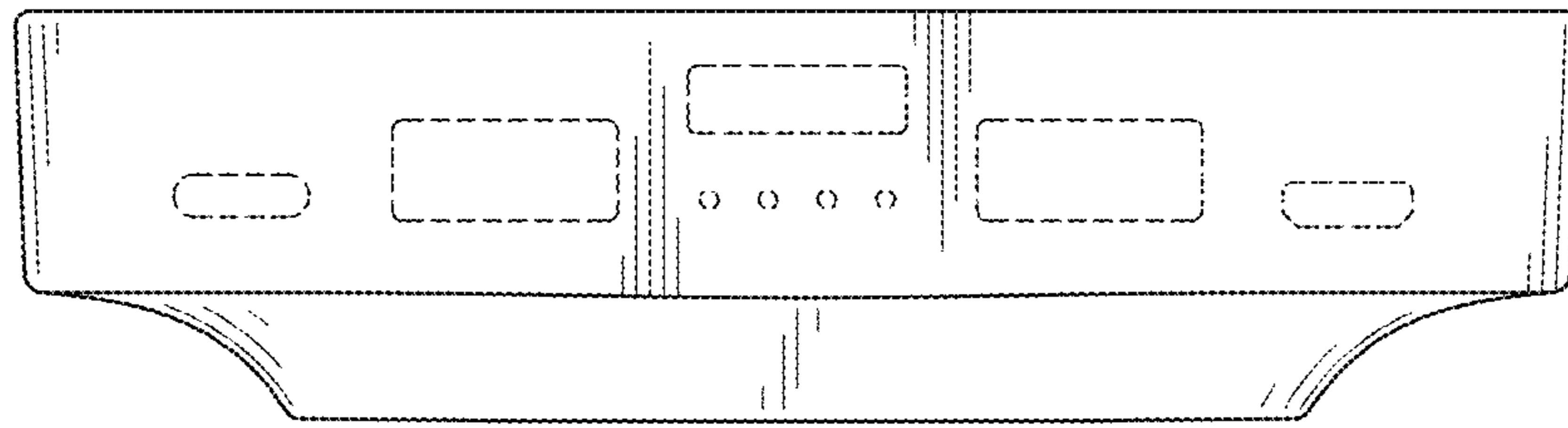


Fig. 6

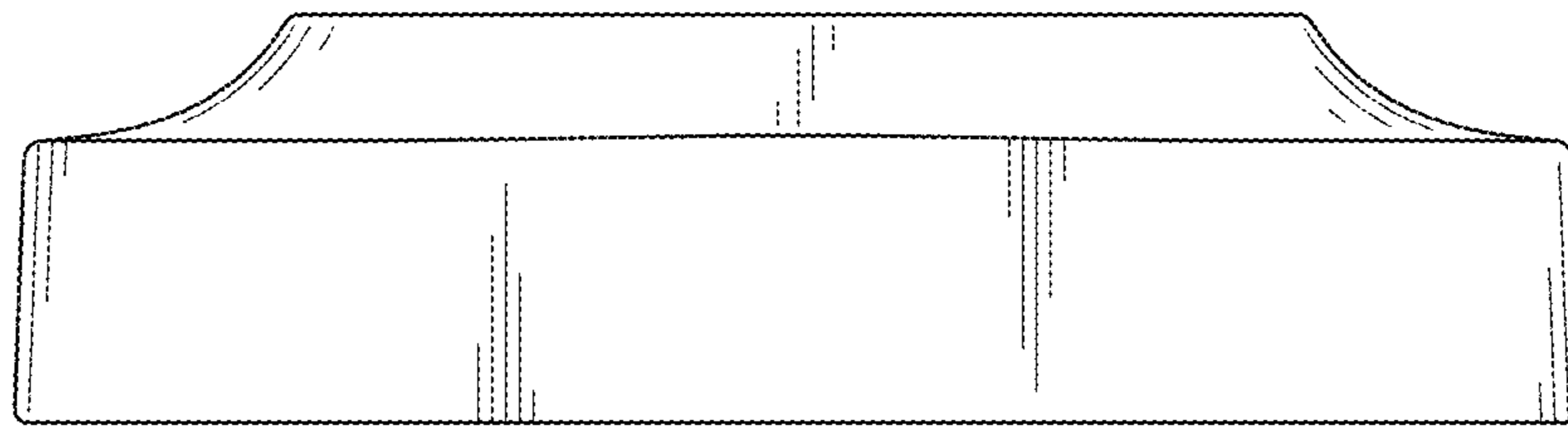


Fig. 7