



US00D816028S

(12) **United States Design Patent**  
**Chen**

(10) **Patent No.:** **US D816,028 S**  
(45) **Date of Patent:** **\*\* Apr. 24, 2018**

(54) **BATTERY CHARGING BASE SHELL**  
(71) Applicant: **Shenzhen Shenghaina Technology Co., LTD.**, Shenzhen, Guangdong (CN)  
(72) Inventor: **Xiaowei Chen**, Guangdong (CN)  
(73) Assignee: **SHENZHEN SHENGHAINA TECHNOLOGY CO., LTD.**, Guangdong (CN)

D668,218 S \* 10/2012 Dai ..... D13/107  
D710,797 S \* 8/2014 Awiszus ..... D13/107  
D722,957 S \* 2/2015 Kotaniemi ..... D13/108  
D743,884 S \* 11/2015 Kotaniemi ..... D13/108  
9,276,423 B2 \* 3/2016 Yang ..... H02J 7/0044  
D755,122 S \* 5/2016 Gecawicz ..... D13/107  
D789,884 S \* 6/2017 Bourgeois ..... D13/107  
D801,920 S \* 11/2017 Yoon ..... D13/107  
D805,030 S \* 12/2017 Massar ..... D13/108  
2009/0210609 A1 \* 8/2009 Learmonth ..... G06F 13/385  
710/316  
2017/0054314 A1 \* 2/2017 Tang ..... H02J 7/0045

(\*\*) Term: **15 Years**

\* cited by examiner

(21) Appl. No.: **29/586,869**

*Primary Examiner* — Robert M. Spear

(22) Filed: **Dec. 7, 2016**

*Assistant Examiner* — Alison M Ofstun

(30) **Foreign Application Priority Data**

(74) *Attorney, Agent, or Firm* — Buchanan Ingersoll & Rooney PC

Oct. 28, 2016 (CN) ..... 2016 3 0535017

(51) **LOC (11) Cl.** ..... **13-02**

(52) **U.S. Cl.**  
USPC ..... **D13/108**

(58) **Field of Classification Search**  
USPC ..... D13/107–110, 118–119, 184, 102–106;  
D14/250

CPC ..... Y02E 60/12; Y02T 90/14; Y02T 90/122;  
Y02T 90/128; Y02T 90/163; H02J 7/025;  
H02J 7/0042; H02J 7/0044; H02J 7/0045;  
H02J 7/0003; H01F 38/14; H01R  
13/6675; H01M 2/1022; H01M 2/1055;  
H01M 10/44; H01M 10/46; H01M  
10/425

See application file for complete search history.

(56) **References Cited**

**U.S. PATENT DOCUMENTS**

D609,637 S \* 2/2010 Chu ..... D13/108  
D629,355 S \* 12/2010 Bodley ..... D13/108

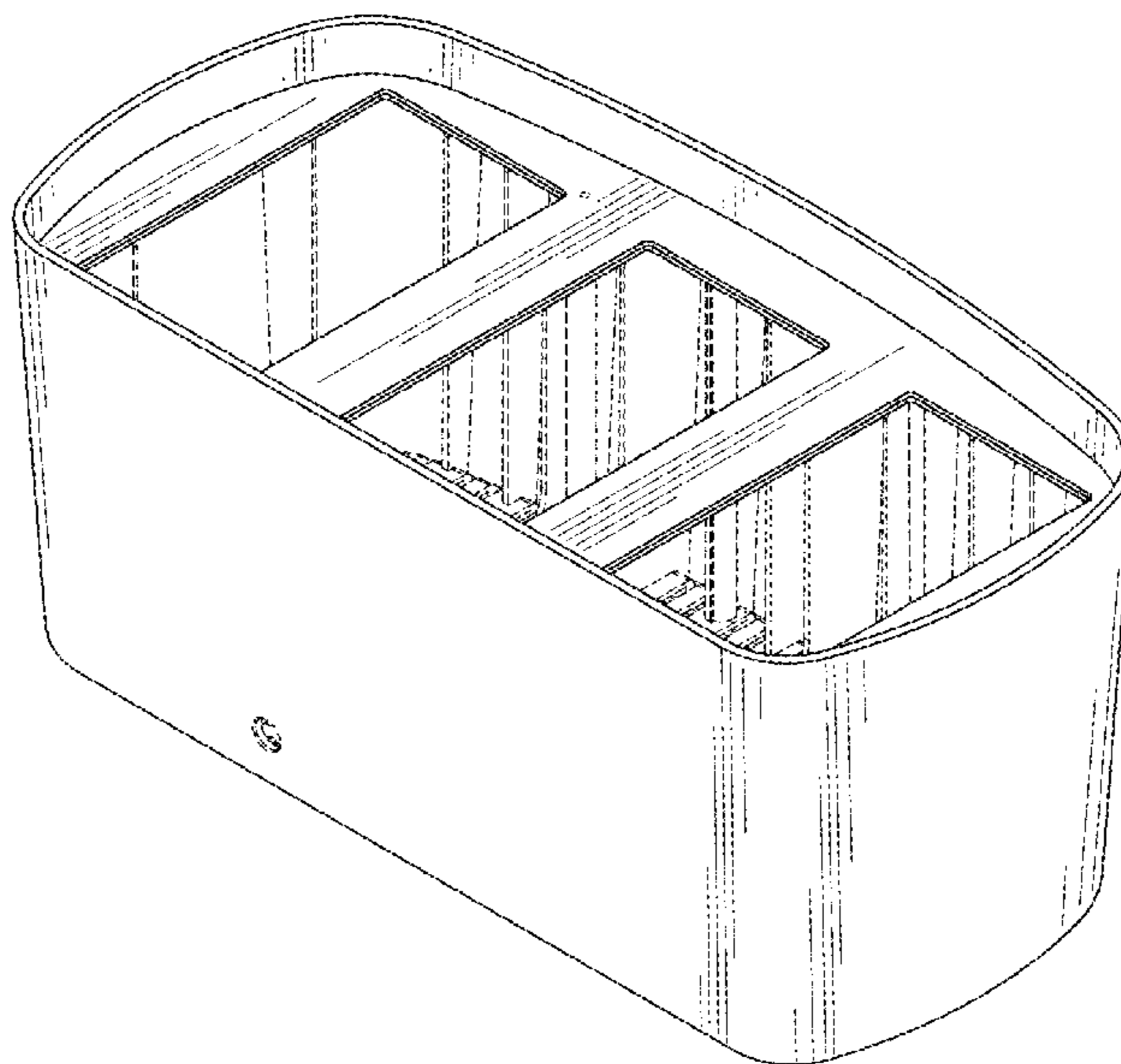
(57) **CLAIM**

The ornamental design for a battery charging base shell, as shown and described.

**DESCRIPTION**

FIG. 1 is a first perspective view of the battery charging base shell;  
FIG. 2 is a second perspective view of the battery charging base shell;  
FIG. 3 is a front view of the battery charging base shell;  
FIG. 4 is a rear view of the battery charging base shell;  
FIG. 5 is a left side view of the battery charging base shell;  
FIG. 6 is a right side view of the battery charging base shell;  
FIG. 7 is a top view of the battery charging base shell; and,  
FIG. 8 is a bottom view of the battery charging base shell.  
The broken line showing in the drawings is included to show unclaimed subject matter only and forms no part of the claimed design.

**1 Claim, 8 Drawing Sheets**



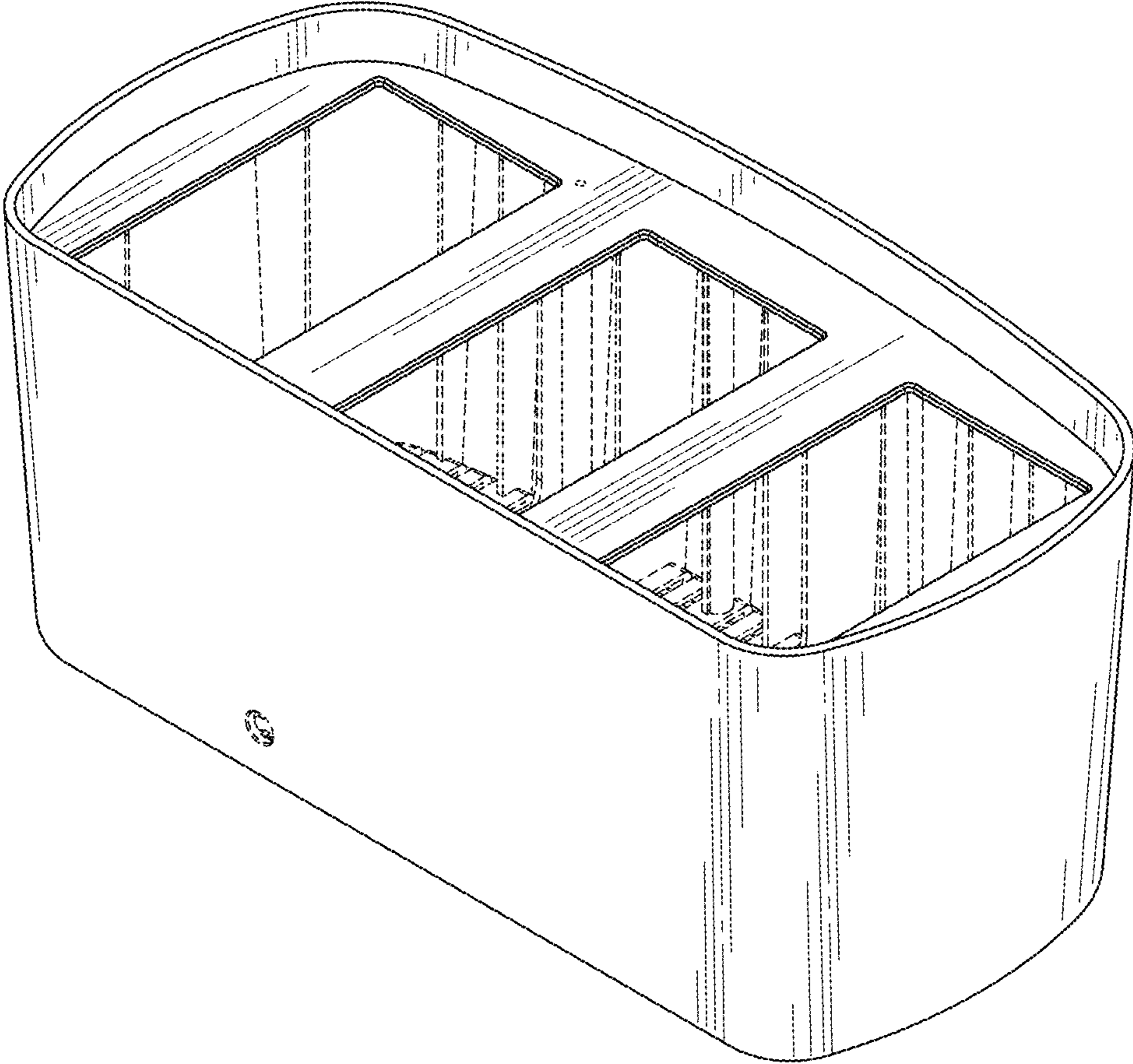


FIG. 1

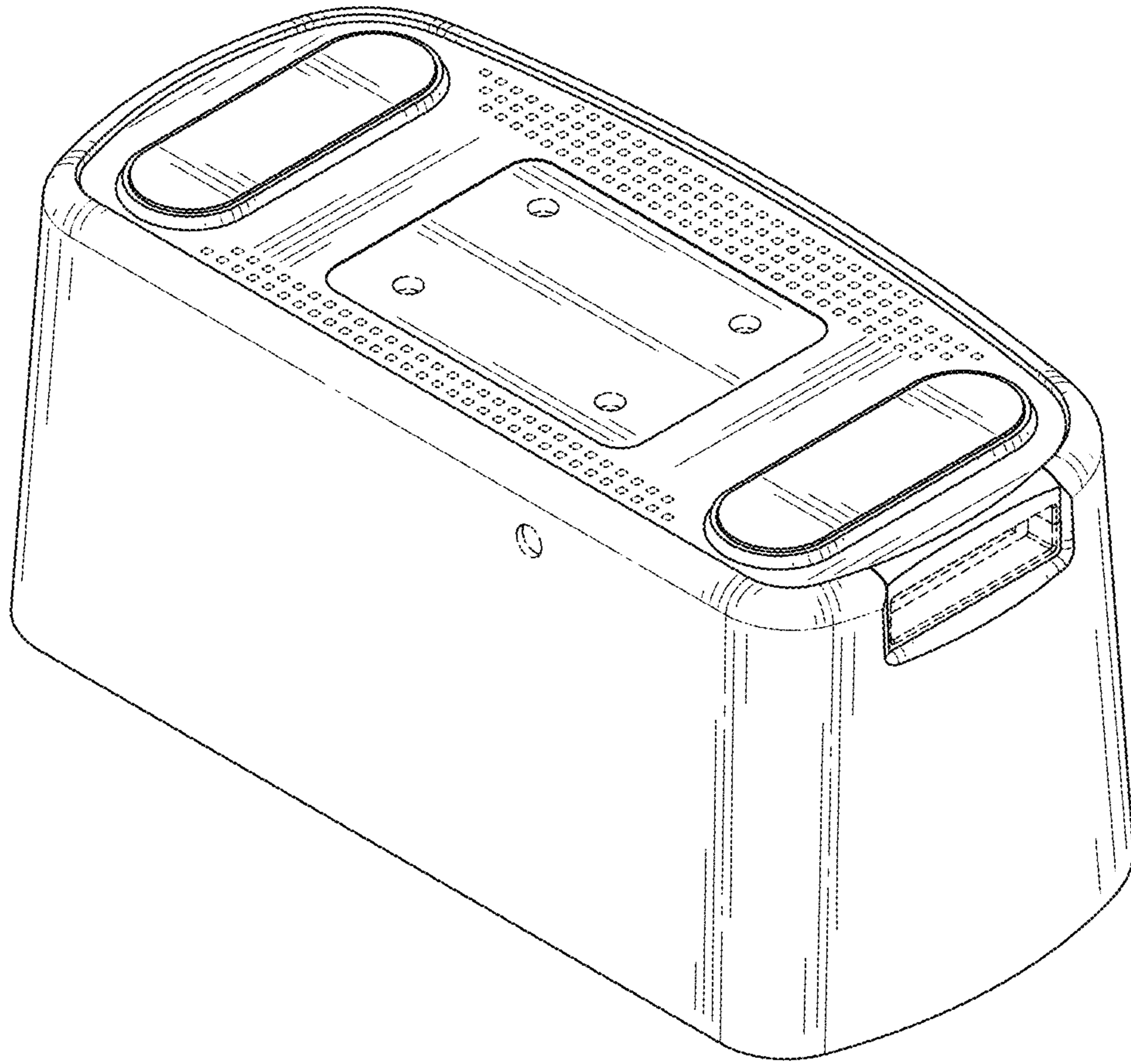


FIG. 2

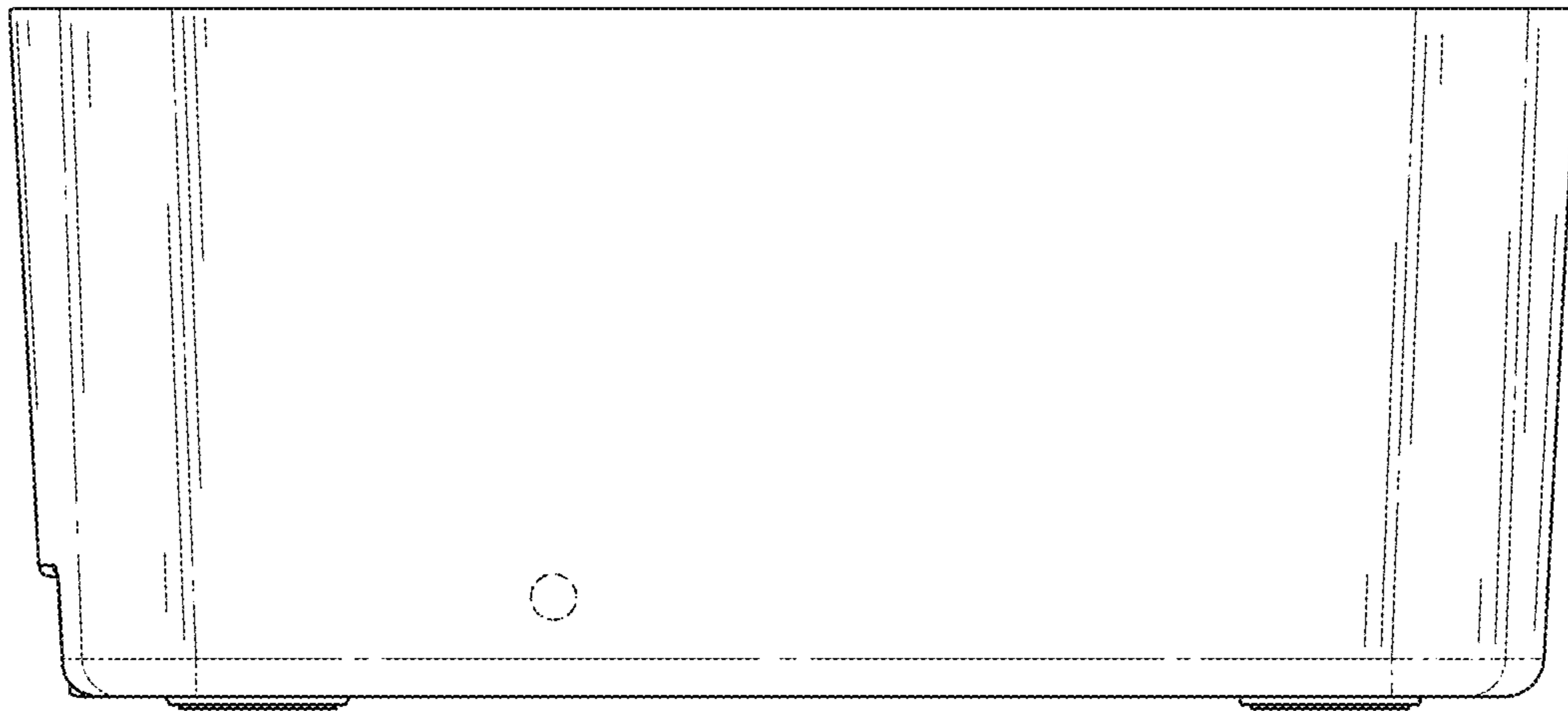


FIG. 3

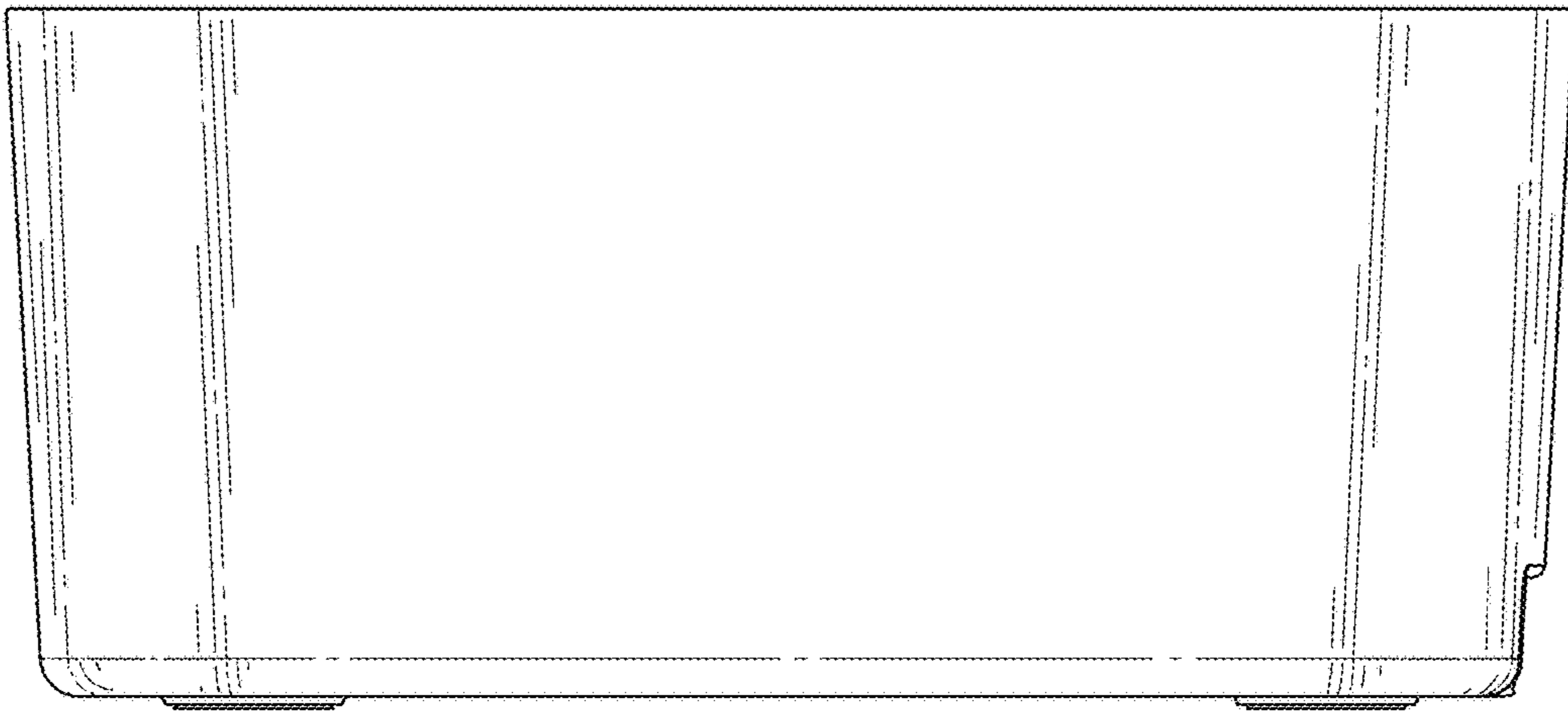


FIG. 4

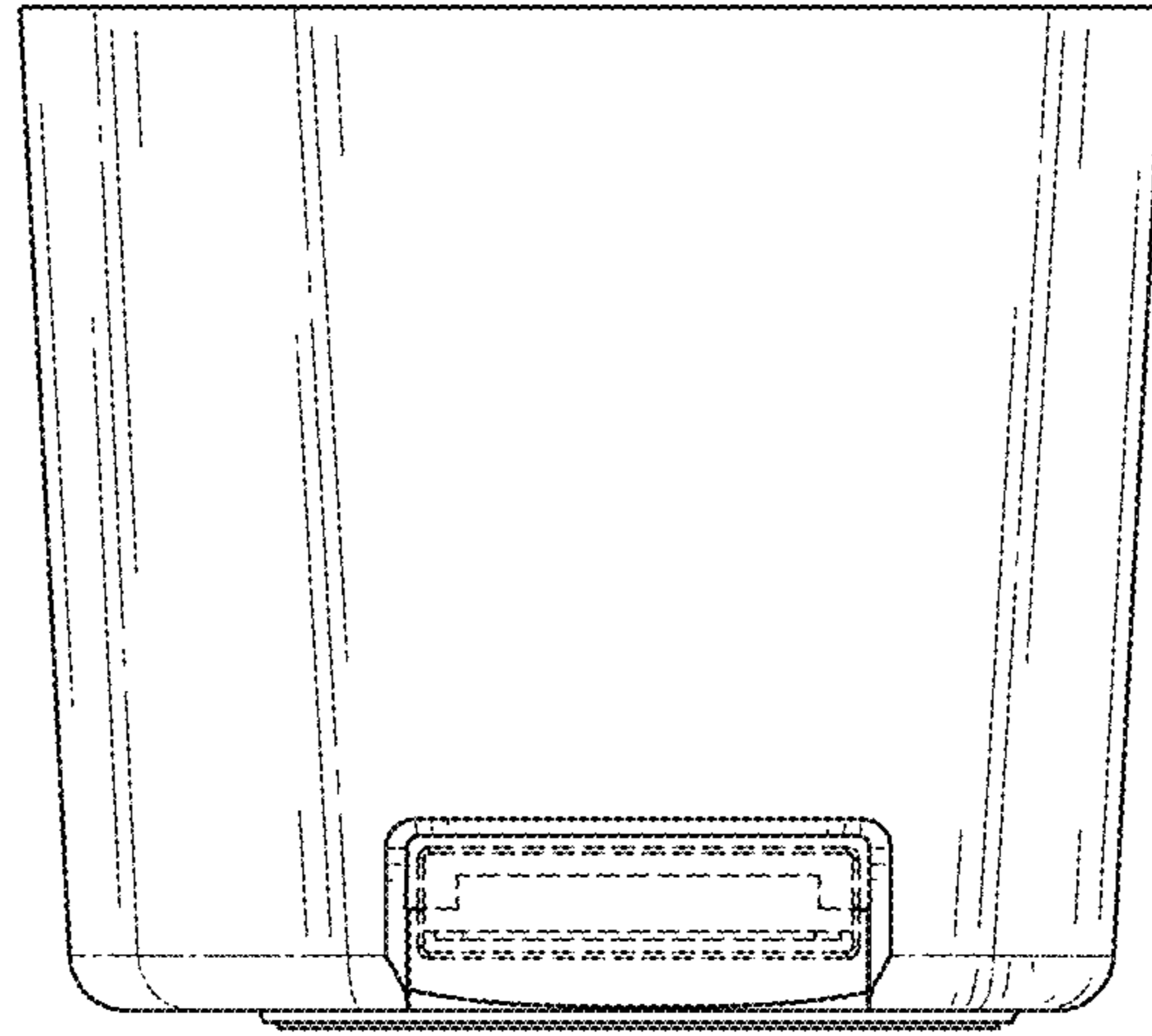


FIG. 5

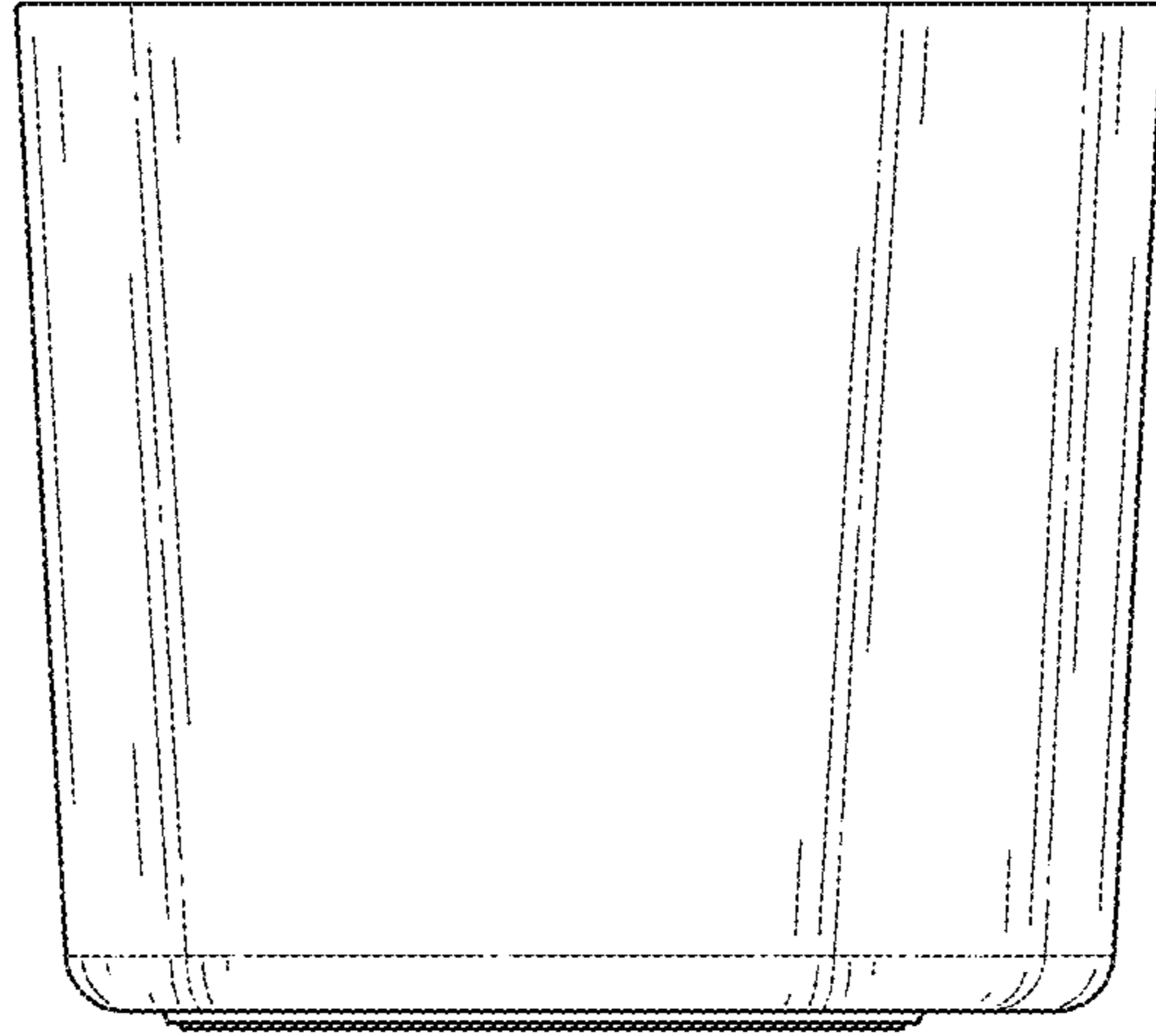


FIG. 6

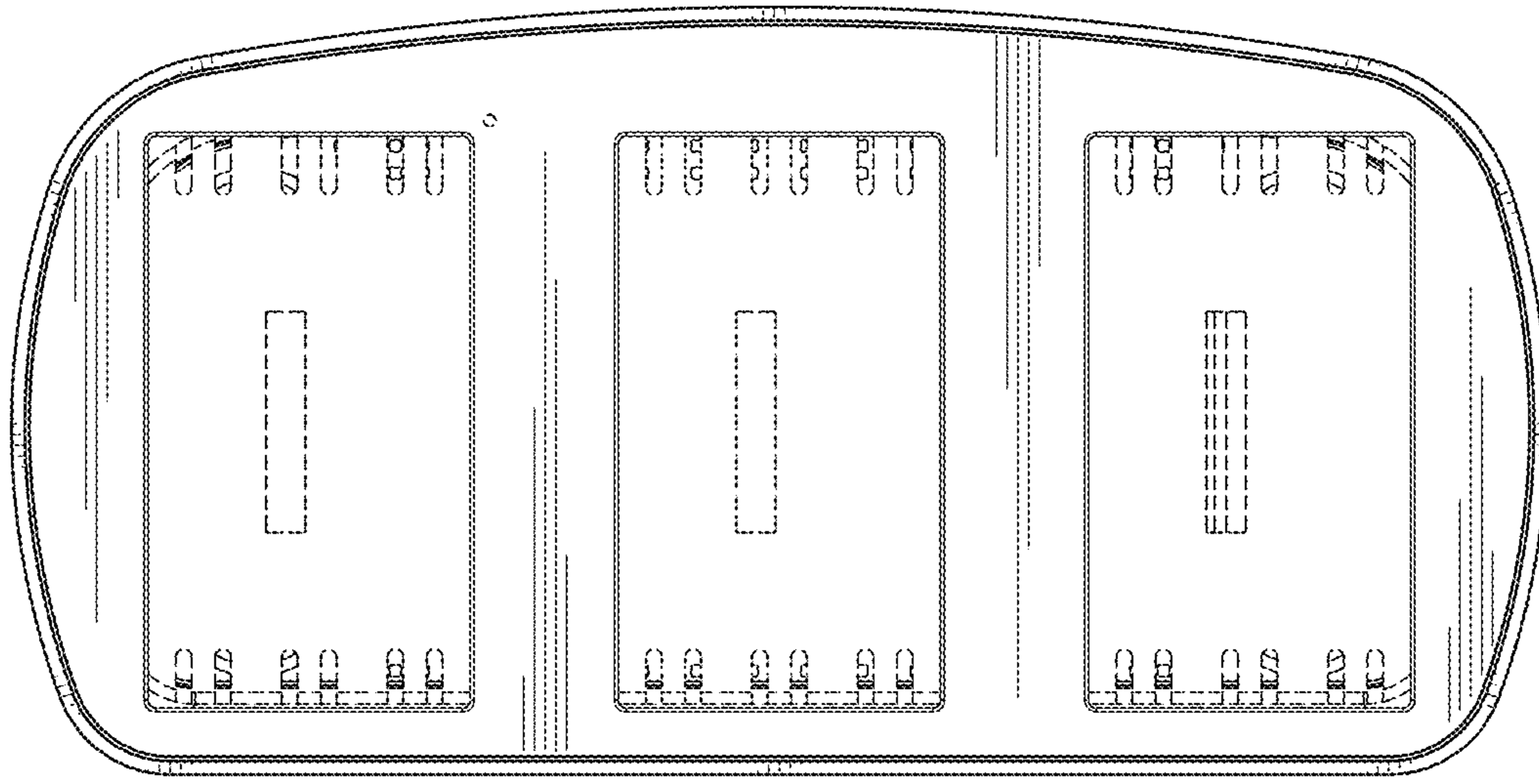


FIG. 7



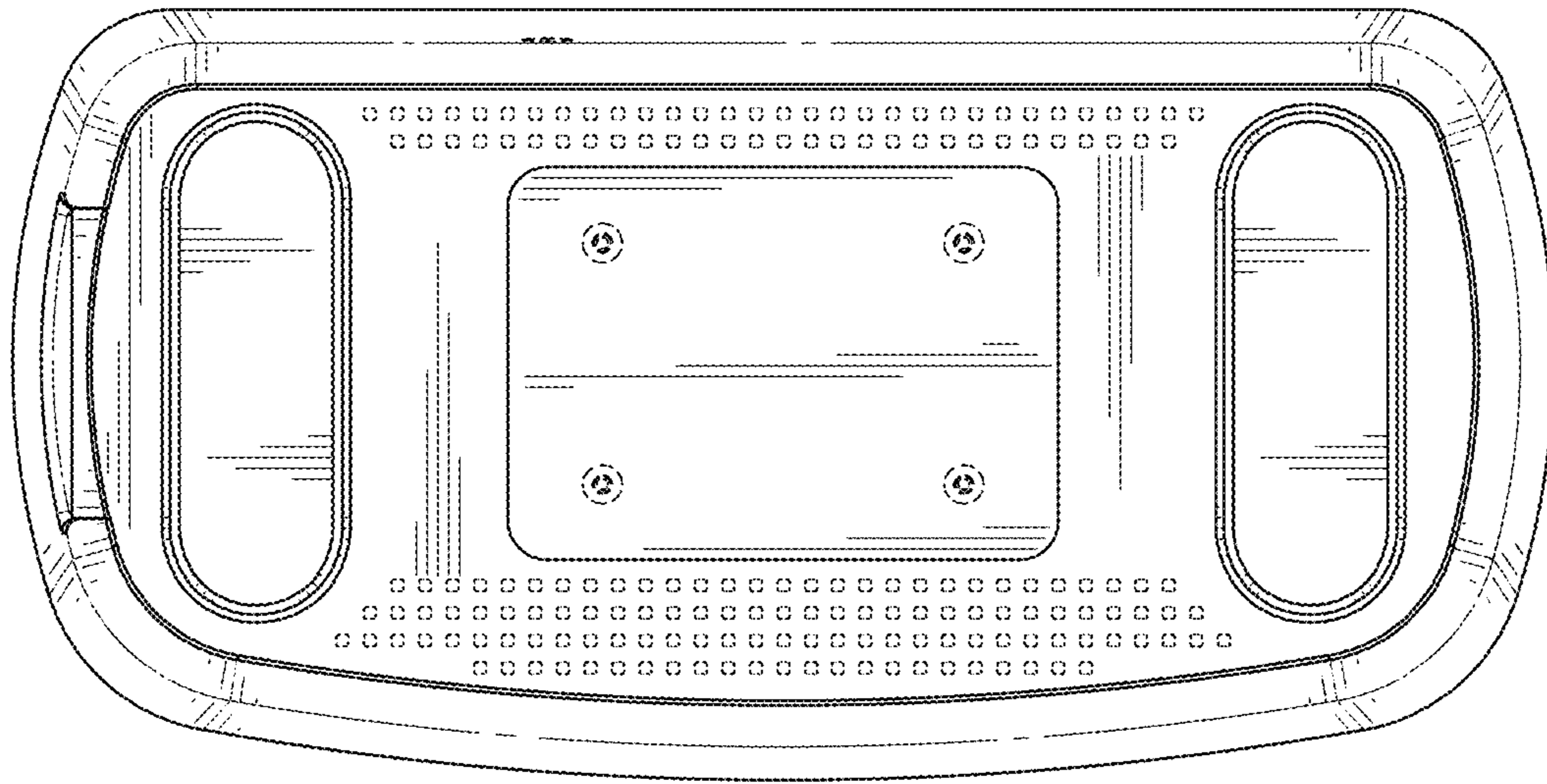


FIG. 8